

ASSEMBLY INSTRUCTIONS
COASTER FINE FURNITURE



Fine Furniture for every stage of life

801038
COMPUTER DESK

REVISION 0 : 10/06/2017
REVISION 1 : 06/27/2022

ITEM: 801038



ASSEMBLY INSTRUCTIONS

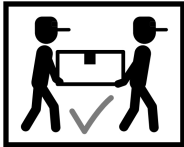
ASSEMBLY TIPS:

1. Remove hardware from box and sort by size.
2. Please check to see that all hardware and parts are present prior to start of assembly.
3. Please follow attached instructions in the same sequence as numbered to assure fast & easy assembly.



WARNING!

1. Don't attempt to repair or modify parts that are broken or defective. Please contact the store immediately.
2. This product is for home use only and not intended for commercial establishments.



ASSEMBLY TIME 50 MINUTES

PARTS IDENTIFICATION



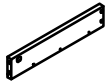
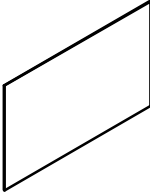


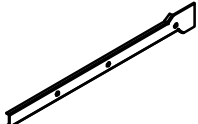
A	TOP PANEL		1PC
B	BOTTOM PANEL		1PC
C	SIDE PANEL		2PCS
D	LEFT PANEL		1PC
E	RIGHT FRAME		1PC
F	BACK PANEL		1PC

ITEM: 801038

ASSEMBLY INSTRUCTIONS

PARTS IDENTIFICATION



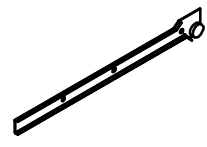
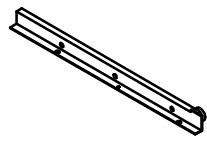
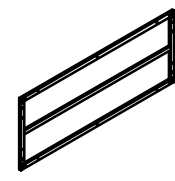
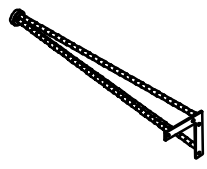
G	DRAWER FRONT PANEL		1PC
H	DRAWER LEFT PANEL		1PC
I	DRAWER RIGHT PANEL		1PC
J	DRAWER BOTTOM PAENL		1PC
K	DRAWER BACK PANEL		1PC
L	DRAWER RIGHT KEYBOARD RAIL		1PC
M	LEFT RAIL		1PC

ITEM: 801038



ASSEMBLY INSTRUCTIONS

PARTS IDENTIFICATION










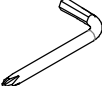
N	RIGHT RAIL		1PC
O	DRAWER LEFT KEYBOARD RAIL		1PC
P	FRAME		1PC
Q	LEG		4PCS

ITEM: 801038

ASSEMBLY INSTRUCTIONS

HARDWARE IDENTIFICATION

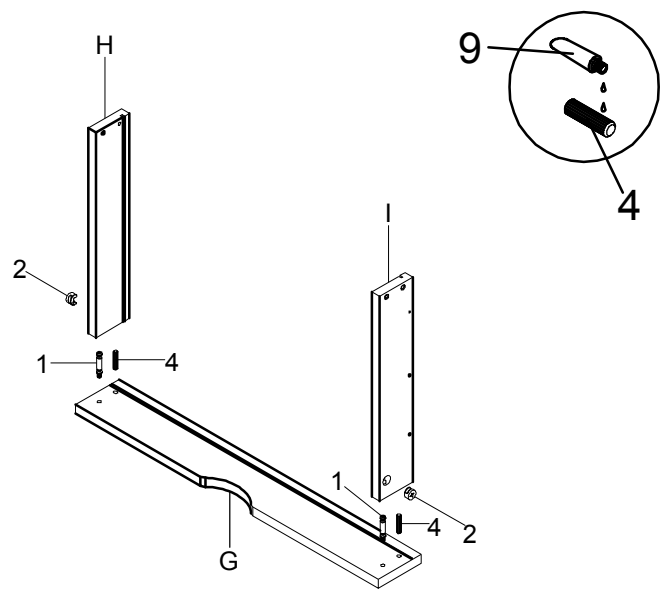


1	CAM BOLT (38mm)		10PCS
2	CAM LOCK (ϕ 15mm)		10PCS
3	LARGE WOOD DOWEL (8 x 30mm)		11PCS
4	SMALL WOOD DOWEL (6 x 30mm)		2PCS
5	LONG BOLT (1/4' x 22mm BLK)		6PCS
6	SHORT BOLT (1/4' x 12mm BLK)		16PCS
7	LONG SCREW (ϕ 8 x 38mm)		19PCS
8	SHORT SCREW (ϕ 6 x 38mm)		12PCS
9	GLUE		1PC
10	ALLEN WRENCH (4mm)		1PC

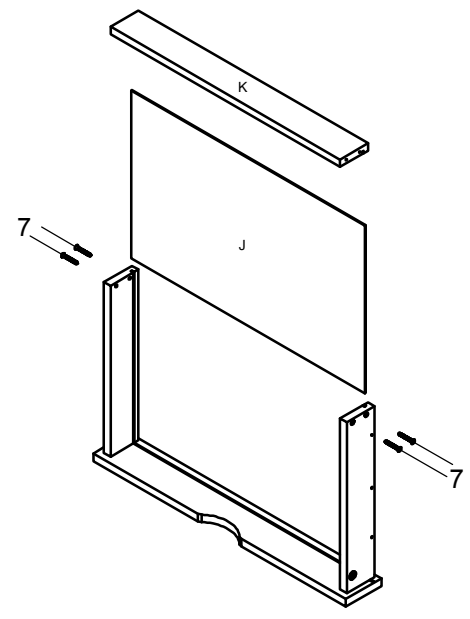
ITEM: 801038 ASSEMBLY INSTRUCTIONS



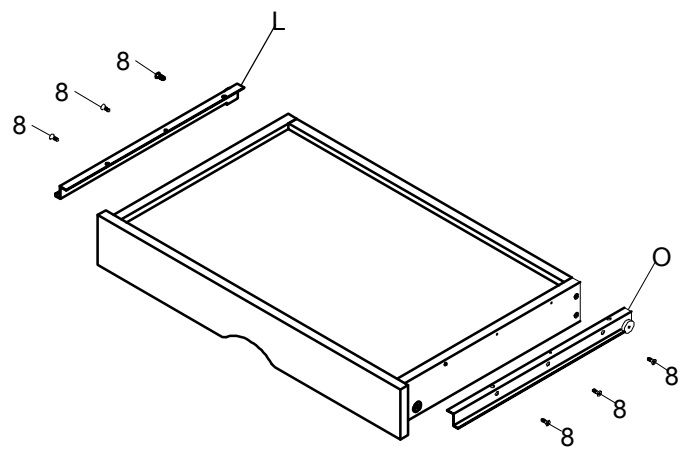
STEP 1 Do not tighten until each step is completed or instructed.



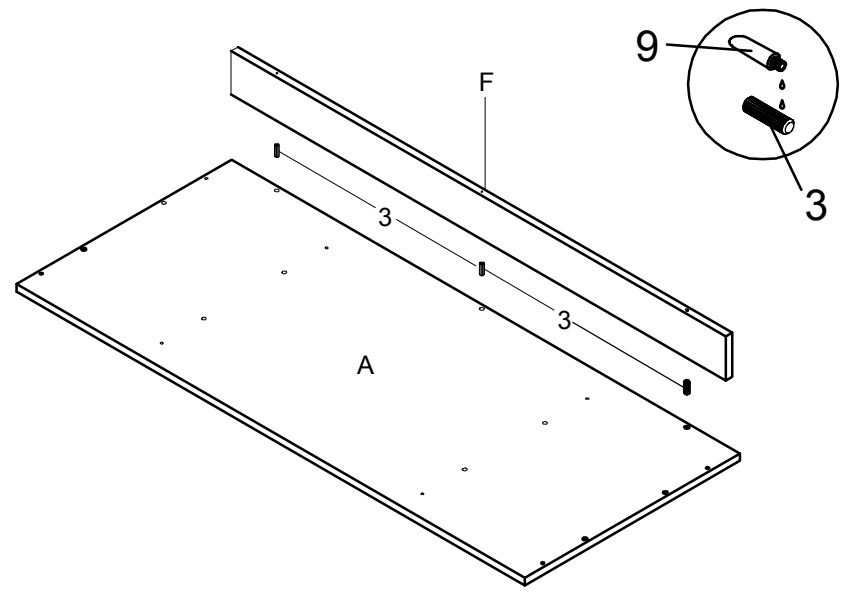
STEP 2



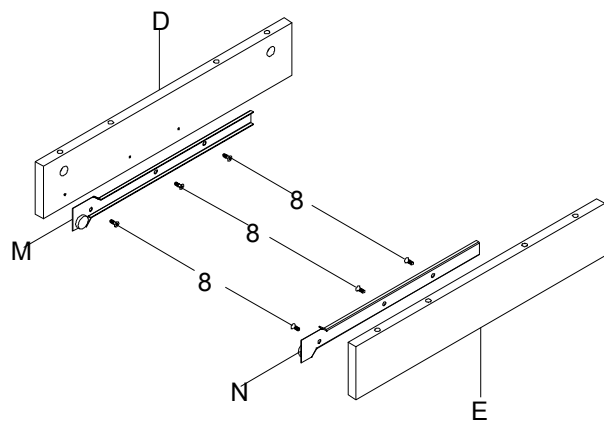
ITEM: 801038
ASSEMBLY INSTRUCTIONS
STEP 3



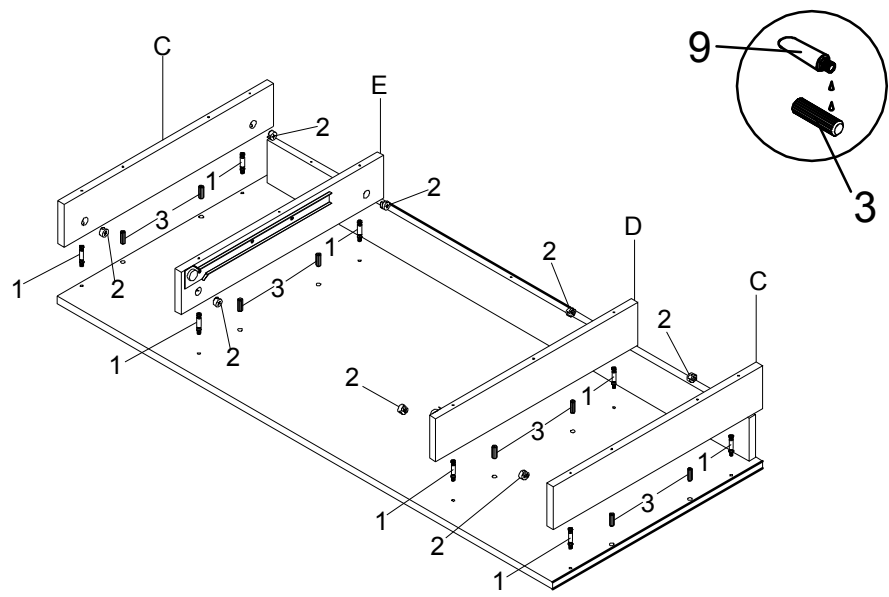
STEP 4



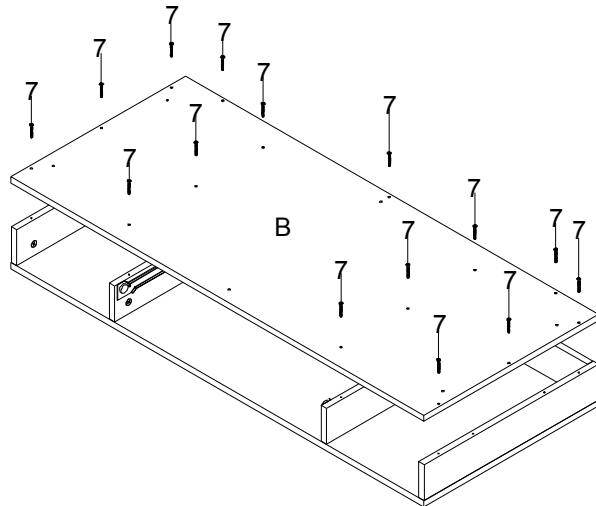
ITEM: 801038
ASSEMBLY INSTRUCTIONS
STEP 5



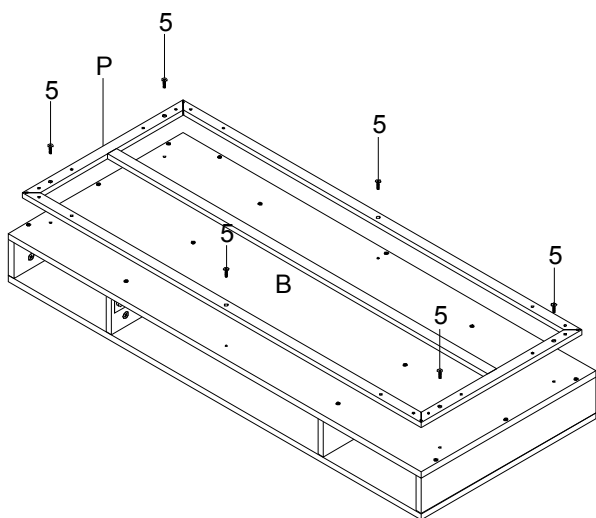
STEP 6



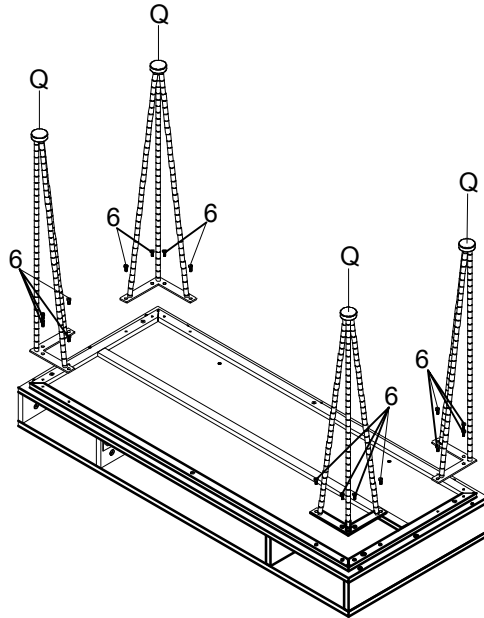
ITEM: 801038
ASSEMBLY INSTRUCTIONS
STEP 7



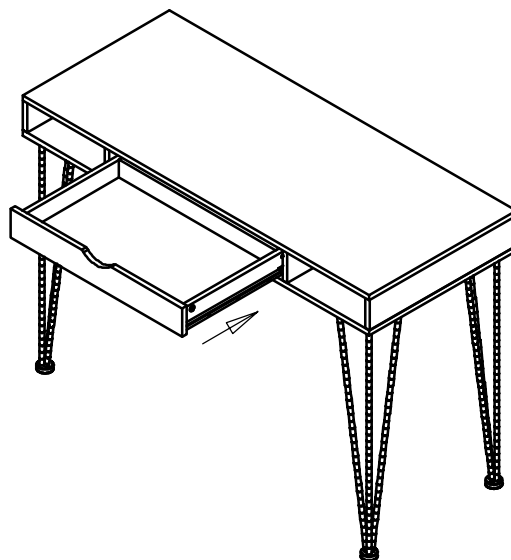
STEP 8



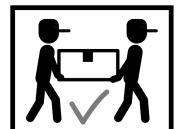
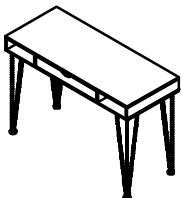
ITEM: 801038
ASSEMBLY INSTRUCTIONS
STEP 9



STEP 10



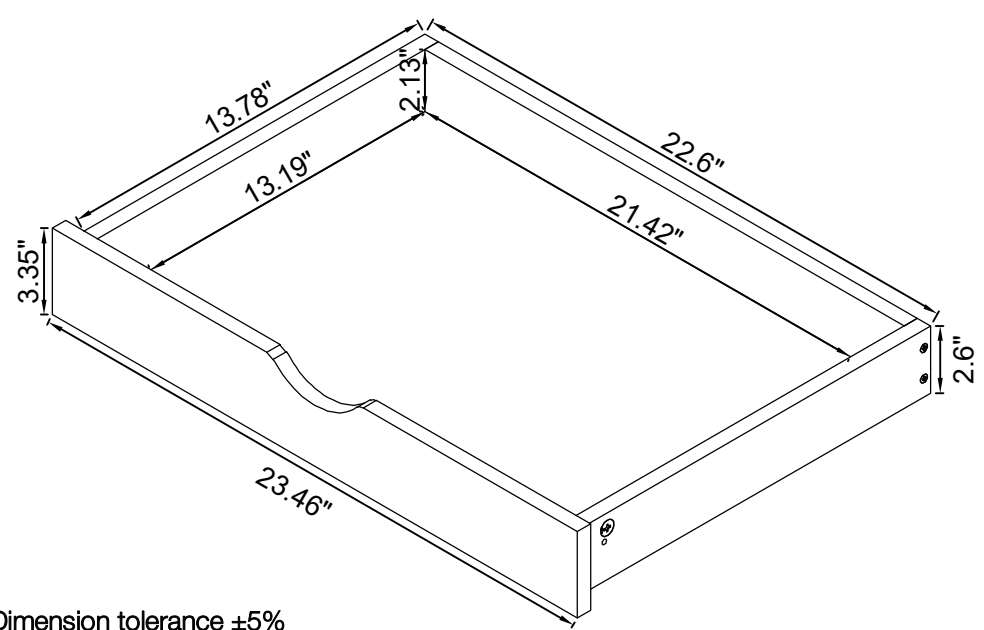
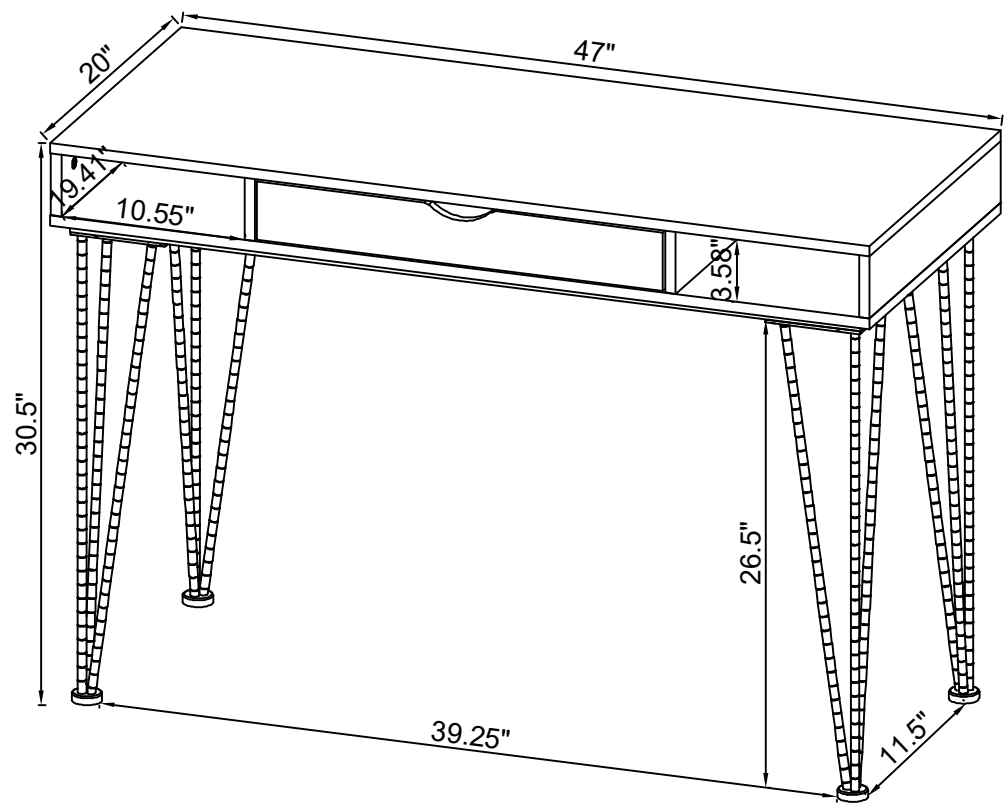
COMPLETE



ITEM:801038 ASSEMBLY INSTRUCTIONS



Product Size : 1193 X 508 X 775 H (MM)
Product Size : 47" X 20" X 30 1/2"



Note : Dimension tolerance $\pm 5\%$