

ASSEMBLY INSTRUCTIONS
COASTER FINE FURNITURE



Fine Furniture for every stage of life

801455
WRITING DESK

ITEM:801455

ASSEMBLY INSTRUCTIONS

ASSEMBLY TIPS:

1. Remove hardware from box and sort by size.
2. Please check to see that all hardware and parts are present prior to start of assembly.
3. Please follow attached instructions in the same sequence as numbered to assure fast & easy assembly.



WARNING!

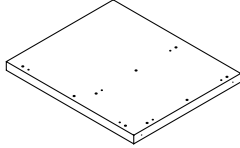
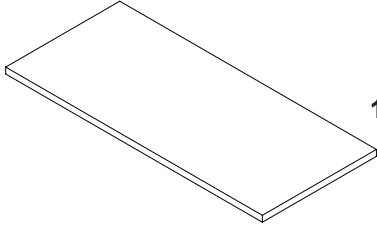
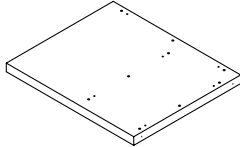
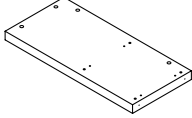
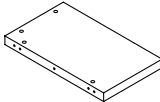
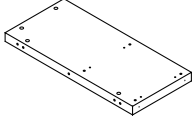
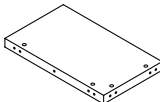
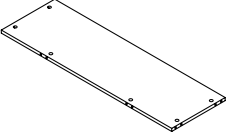
1. Don't attempt to repair or modify parts that are broken or defective. Please contact the store immediately.
2. This product is for home use only and not intended for commercial establishments.



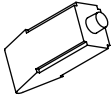

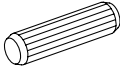

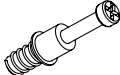
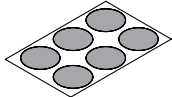
ASSEMBLY TIME

40 MINUTES

PARTS IDENTIFICATION

<p>A LEFT SIDE PANEL</p>  <p>1 PC</p>	<p>E TOP</p>  <p>1 PC</p>
<p>B RIGHT SIDE PANEL</p>  <p>1 PC</p>	<p>F LEFT BACK PANEL</p>  <p>1 PC</p>
<p>C LEFT CROSS PANEL</p>  <p>2 PCS</p>	<p>G RIGHT BACK PANEL</p>  <p>1 PC</p>
<p>D RIGHT CROSS PANEL</p>  <p>2 PCS</p>	<p>H MIDDLE BACK PANEL</p>  <p>1 PC</p>

HARDWARE IDENTIFICATION

Z							
NO	DESCRIPTION	FIGURE	Q'TY	NO	DESCRIPTION	FIGURE	Q'TY
1	GLUE 40g		1 PC	4	CAM LOCK Ø15x12mm SR		34 PCS
2	WOODEN DOWEL Ø8x30mm		42 PCS	5	PLASTIC FEET Ø15mm		8 PCS
3	CAM BOLT Ø7x35.5mm SR		34 PCS	6	STICKER Ø20mm		6 PCS

NOTE:

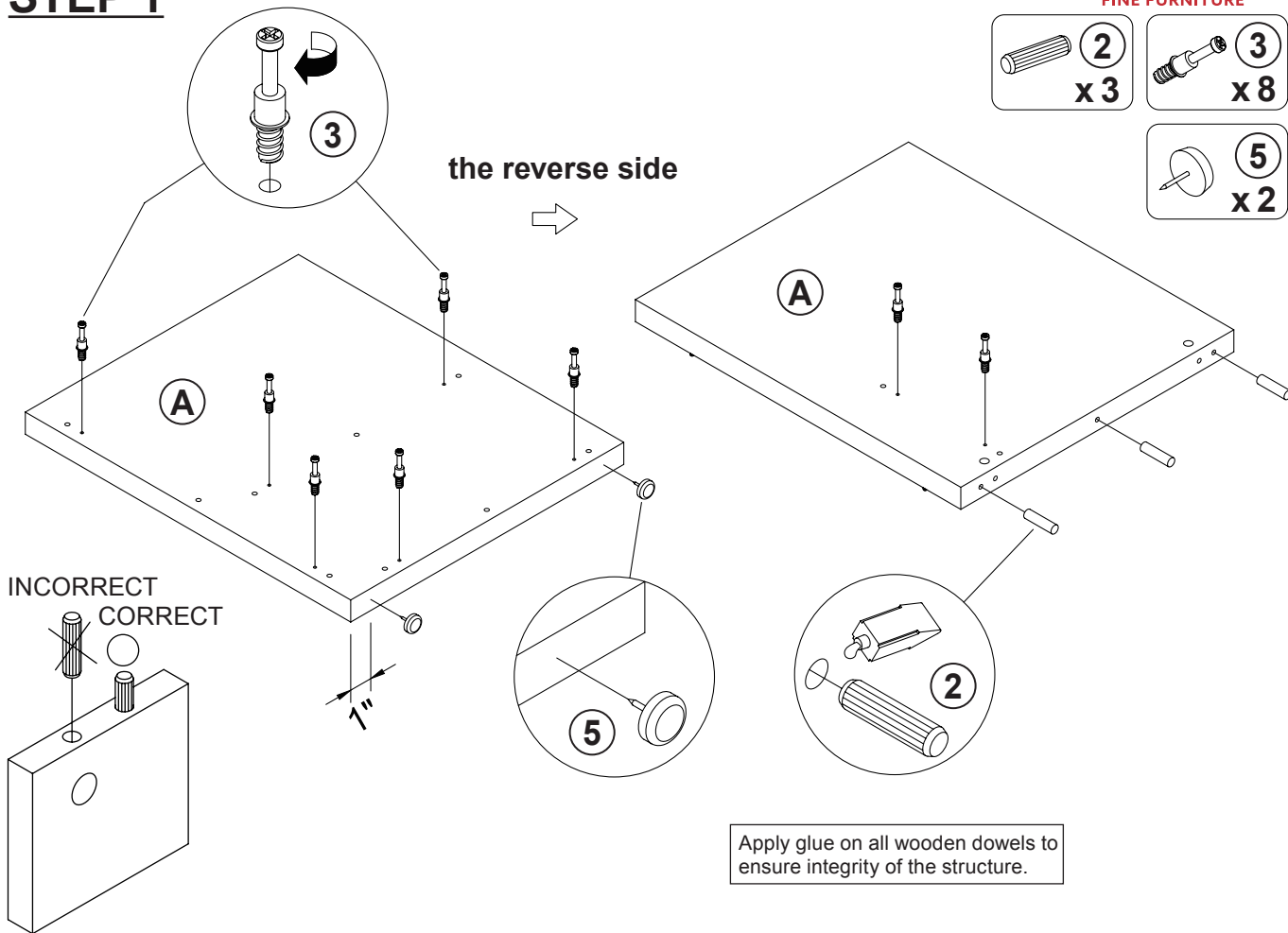
Phillips head screw driver is required in the assembly process; however, manufacturer does not provide this item.

ITEM: 801455

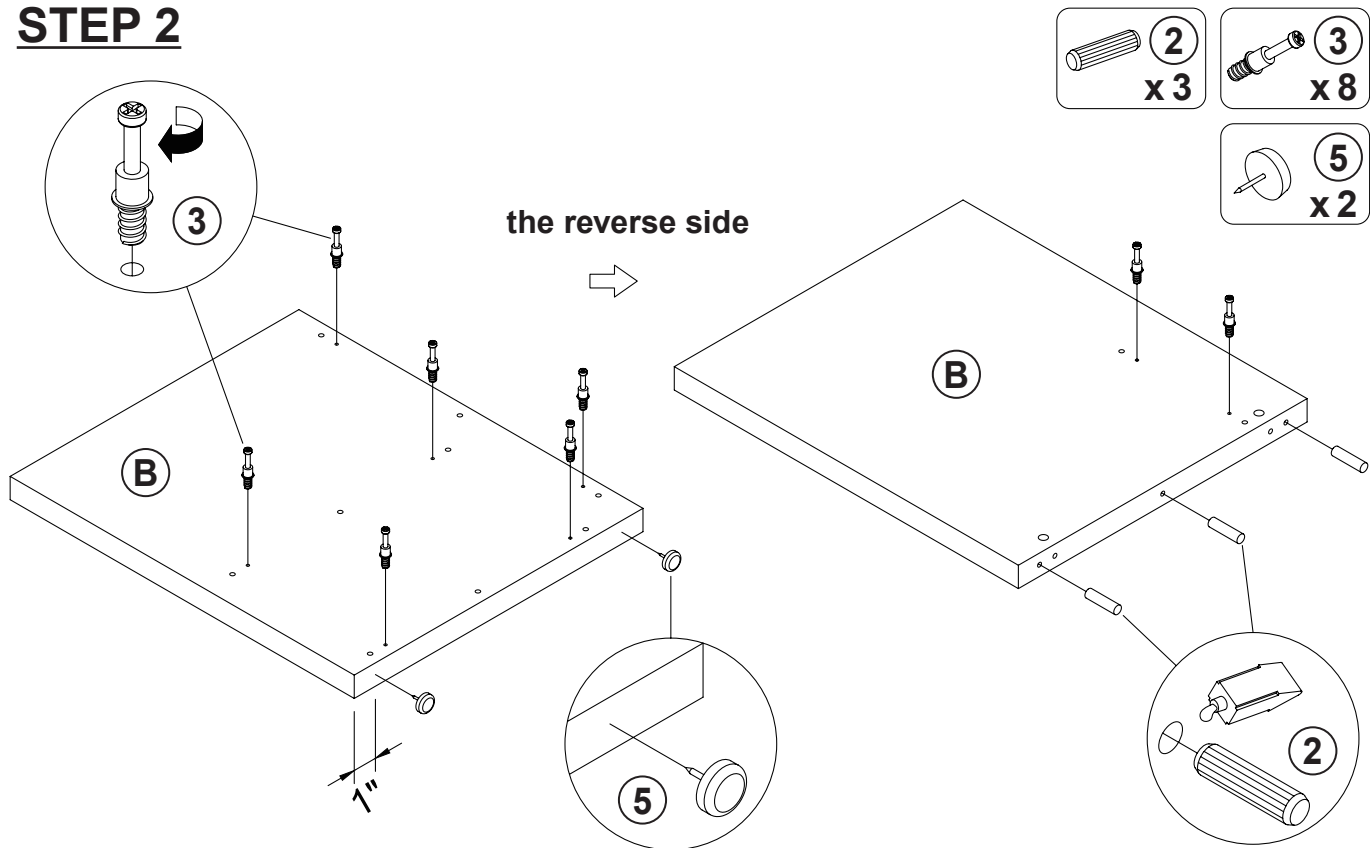
COASTER[®]

FINE FURNITURE

STEP 1



STEP 2

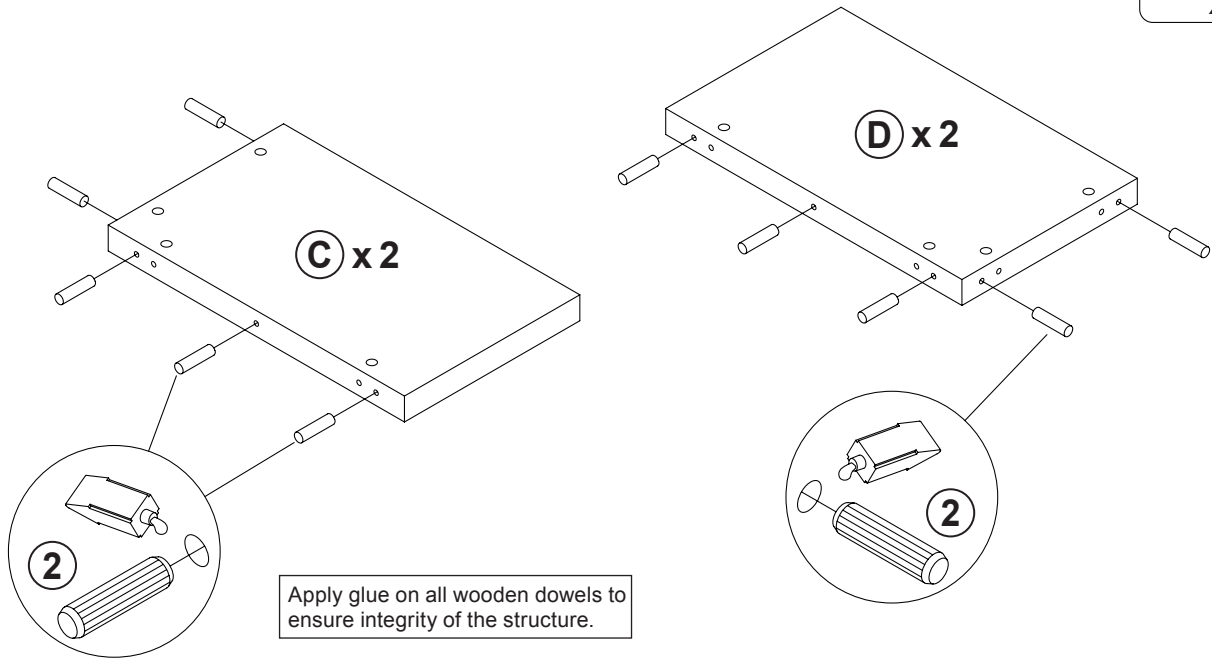


ITEM: 801455

COASTER
FINE FURNITURE

STEP 3

2
x 20

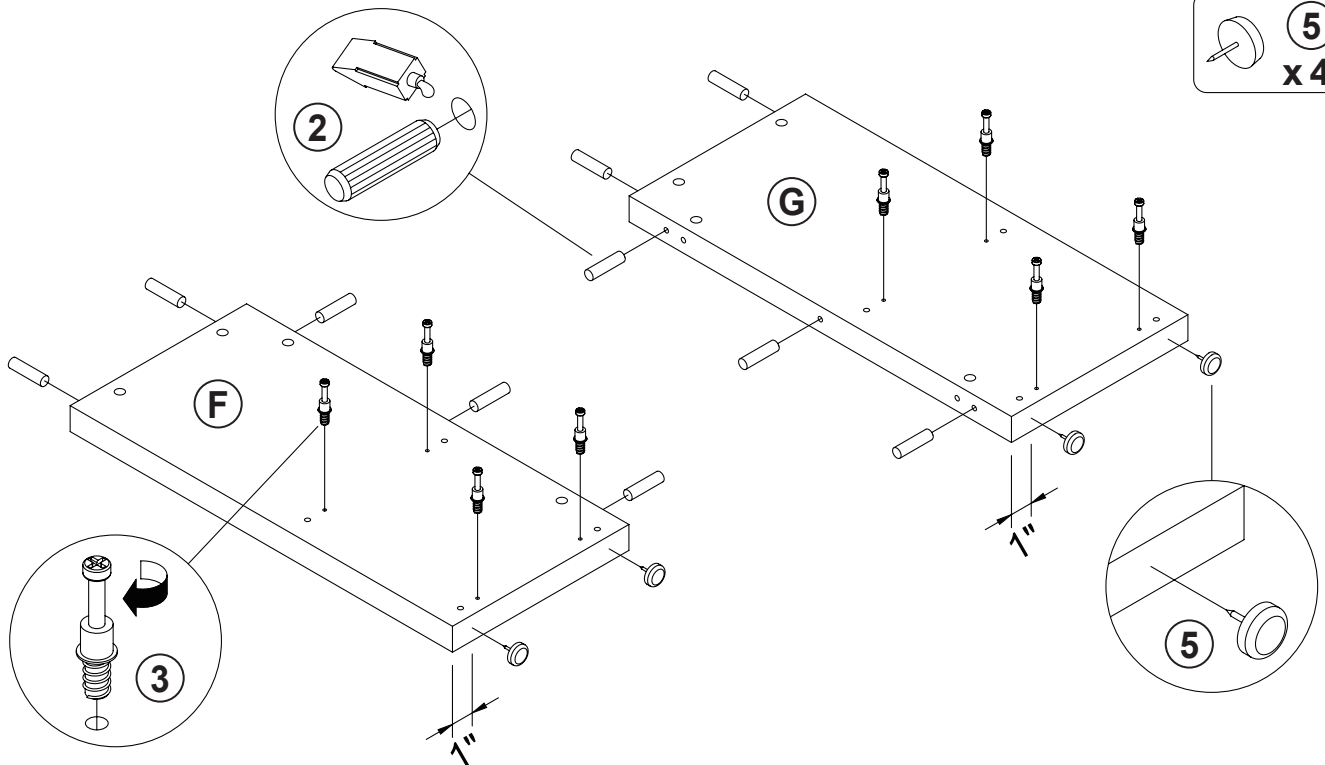


STEP 4

2
x 10

3
x 8

5
x 4

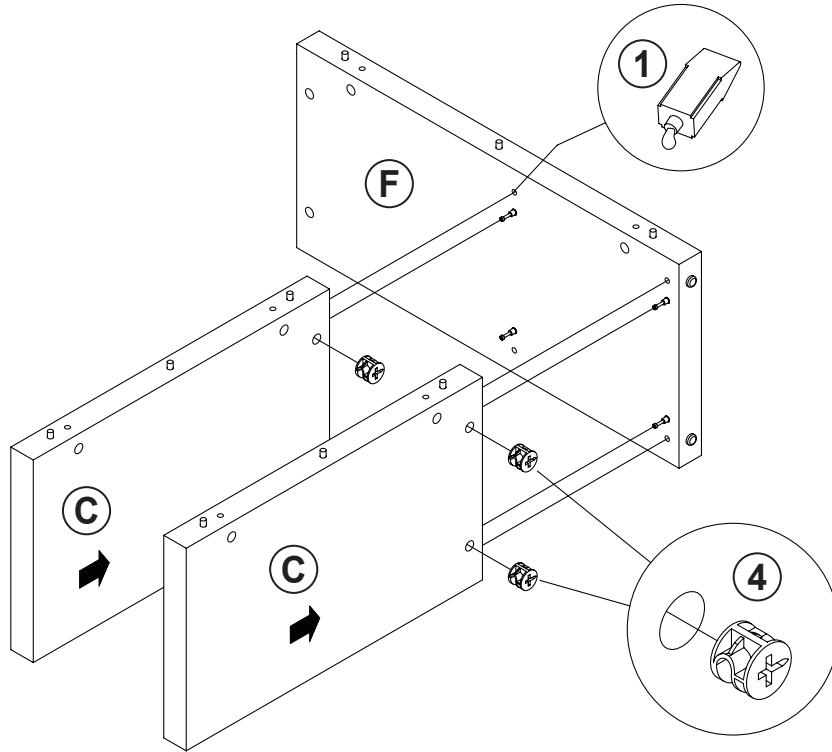
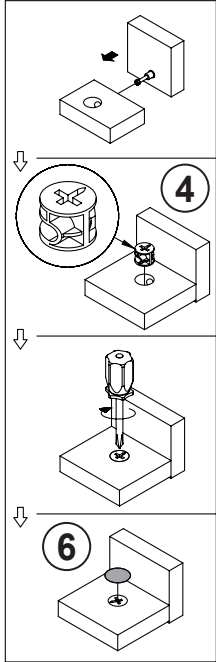
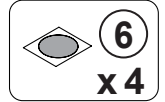


ITEM: 801455

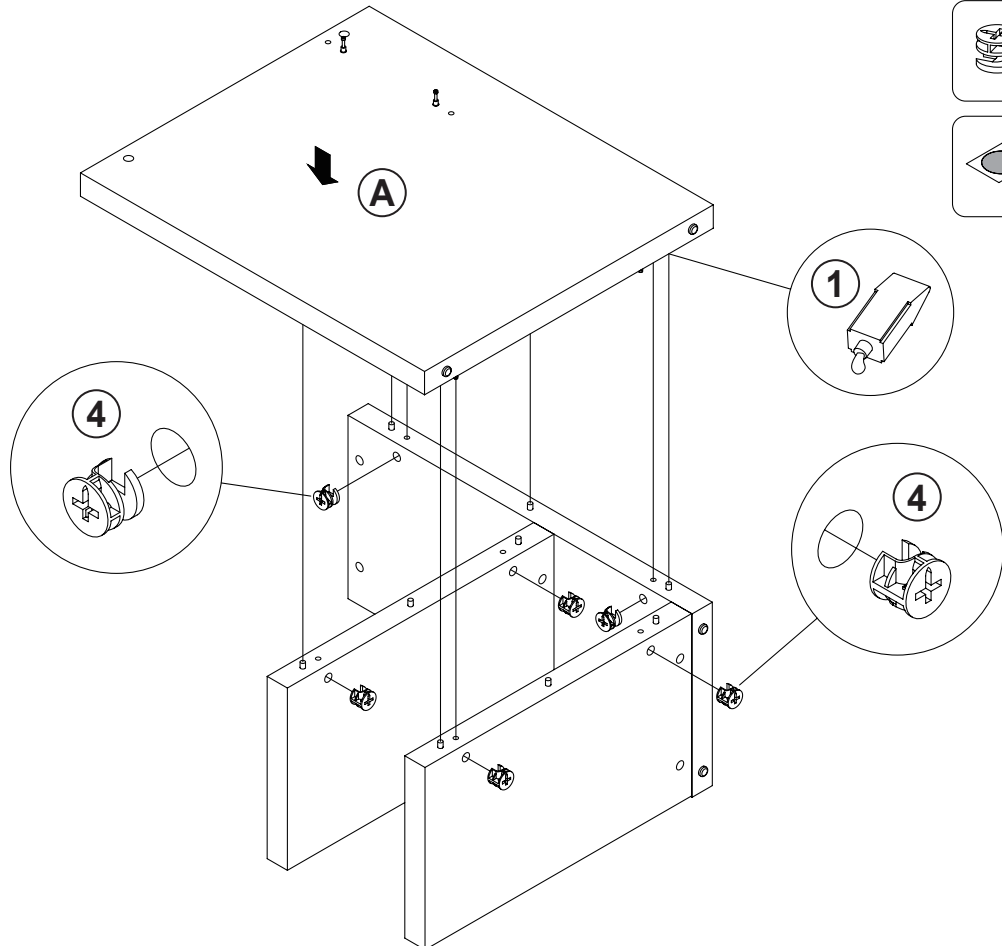
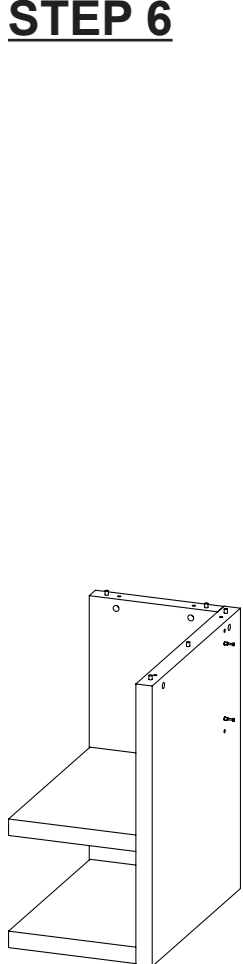
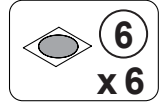
COASTER
FINE FURNITURE

STEP 5

Apply glue on all wooden dowels to ensure integrity of the structure.



STEP 6

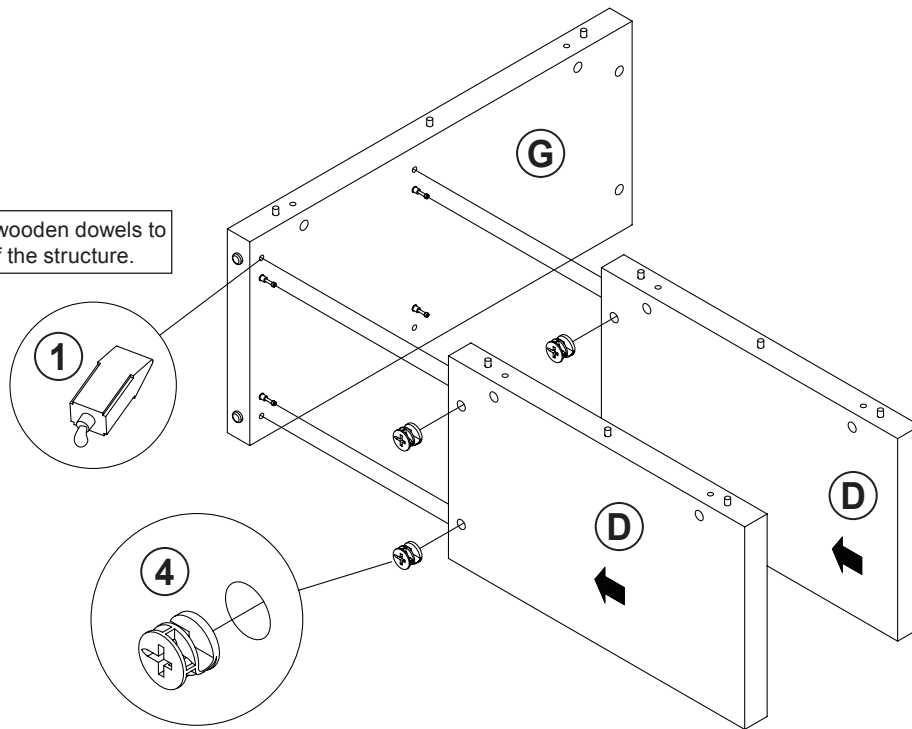


ITEM: 801455

COASTER
FINE FURNITURE

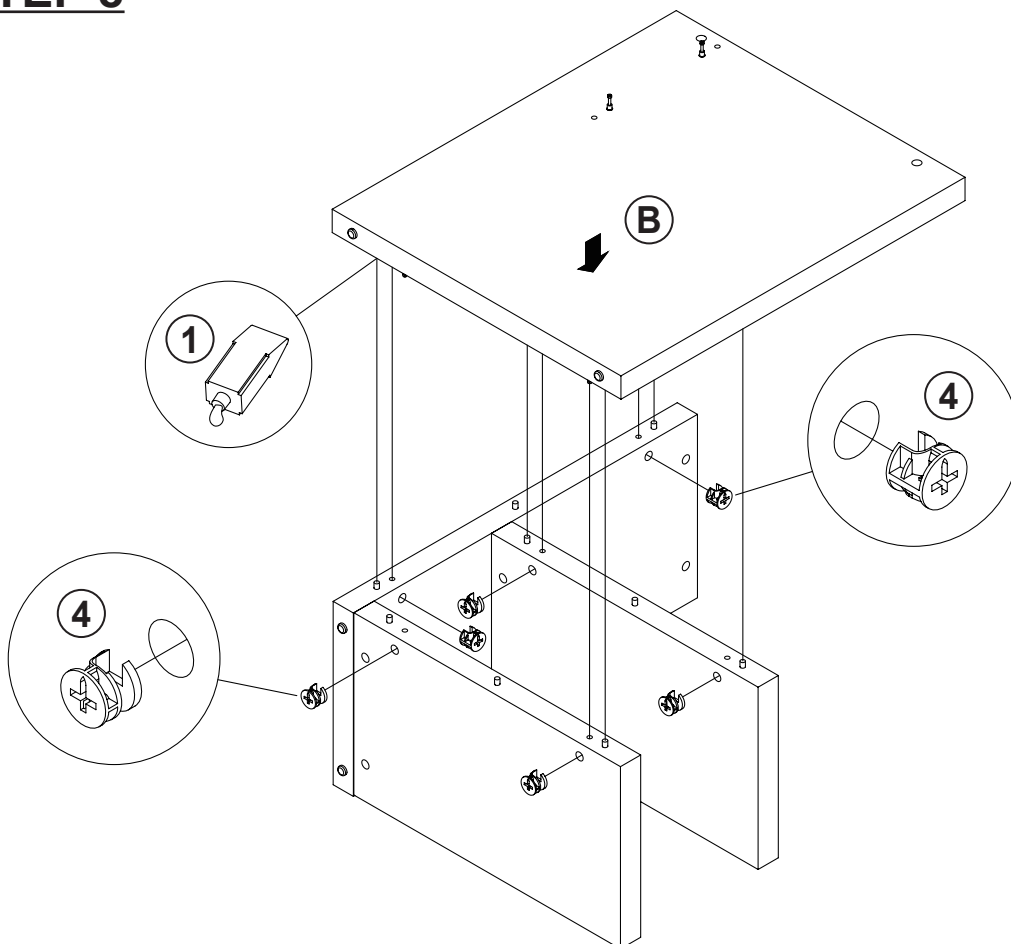
STEP 7

Apply glue on all wooden dowels to ensure integrity of the structure.

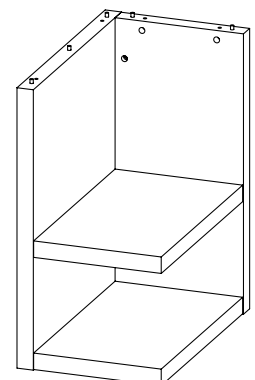


- 4 x 4
- 6 x 4

STEP 8



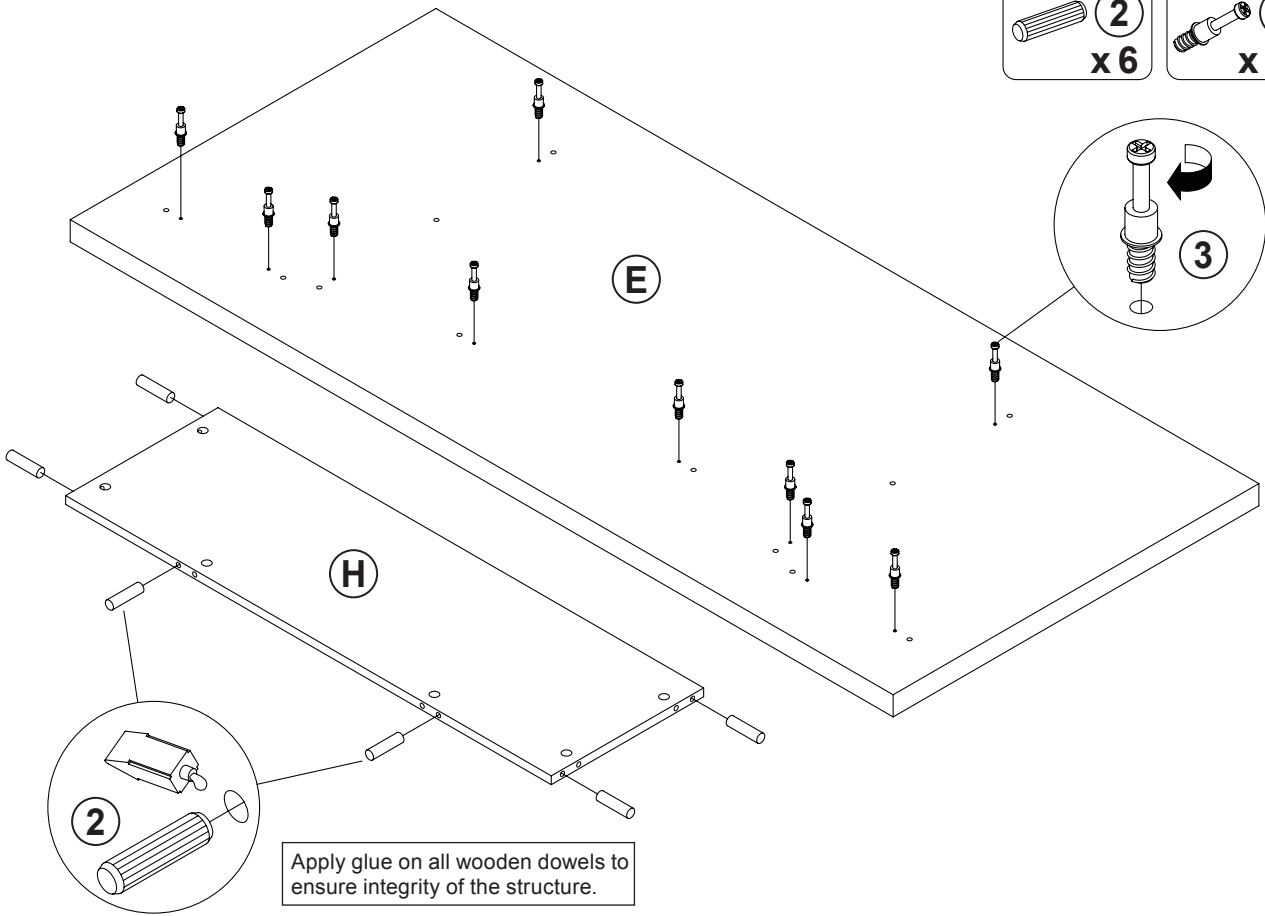
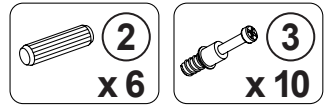
- 4 x 6
- 6 x 6



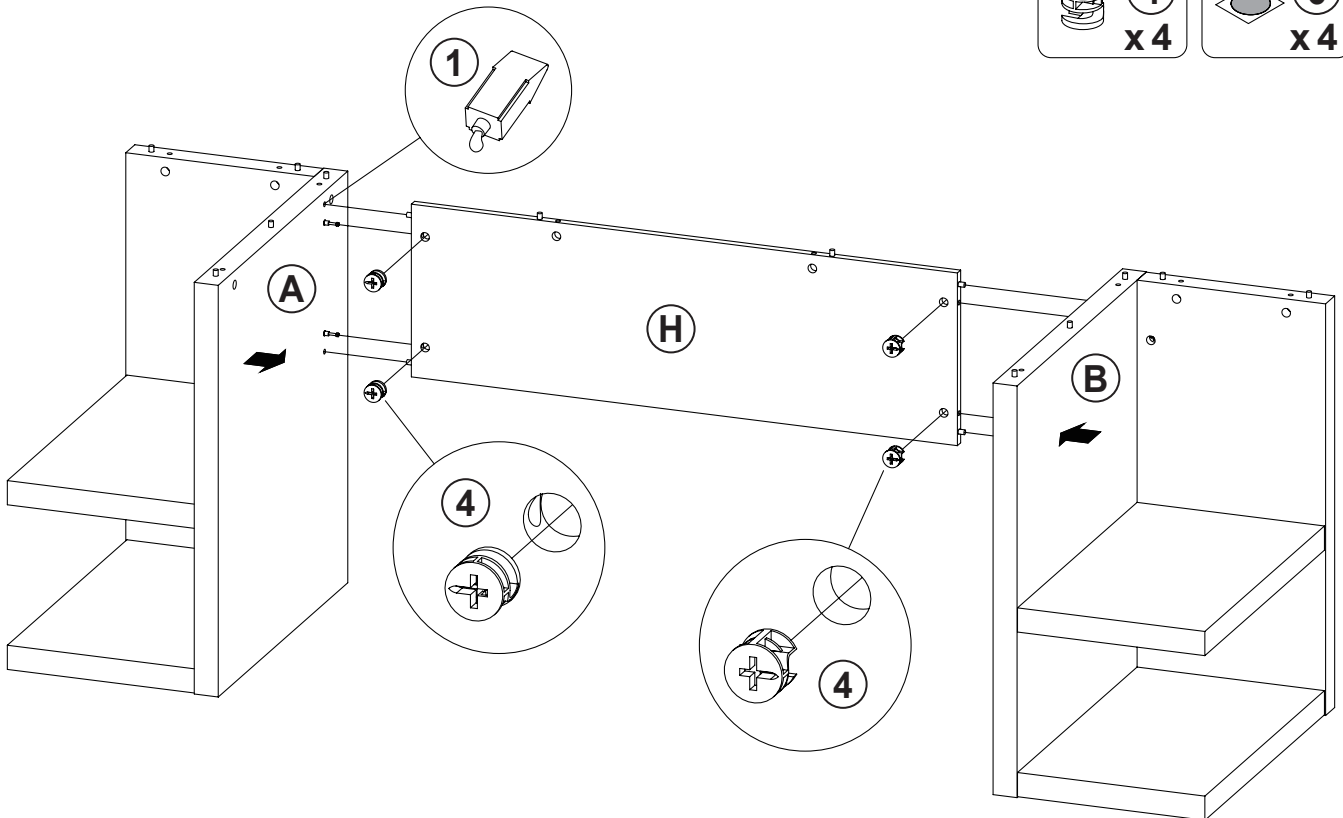
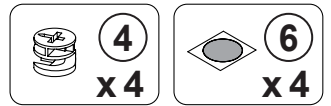
ITEM: 801455

COASTER
FINE FURNITURE

STEP 9



STEP 10

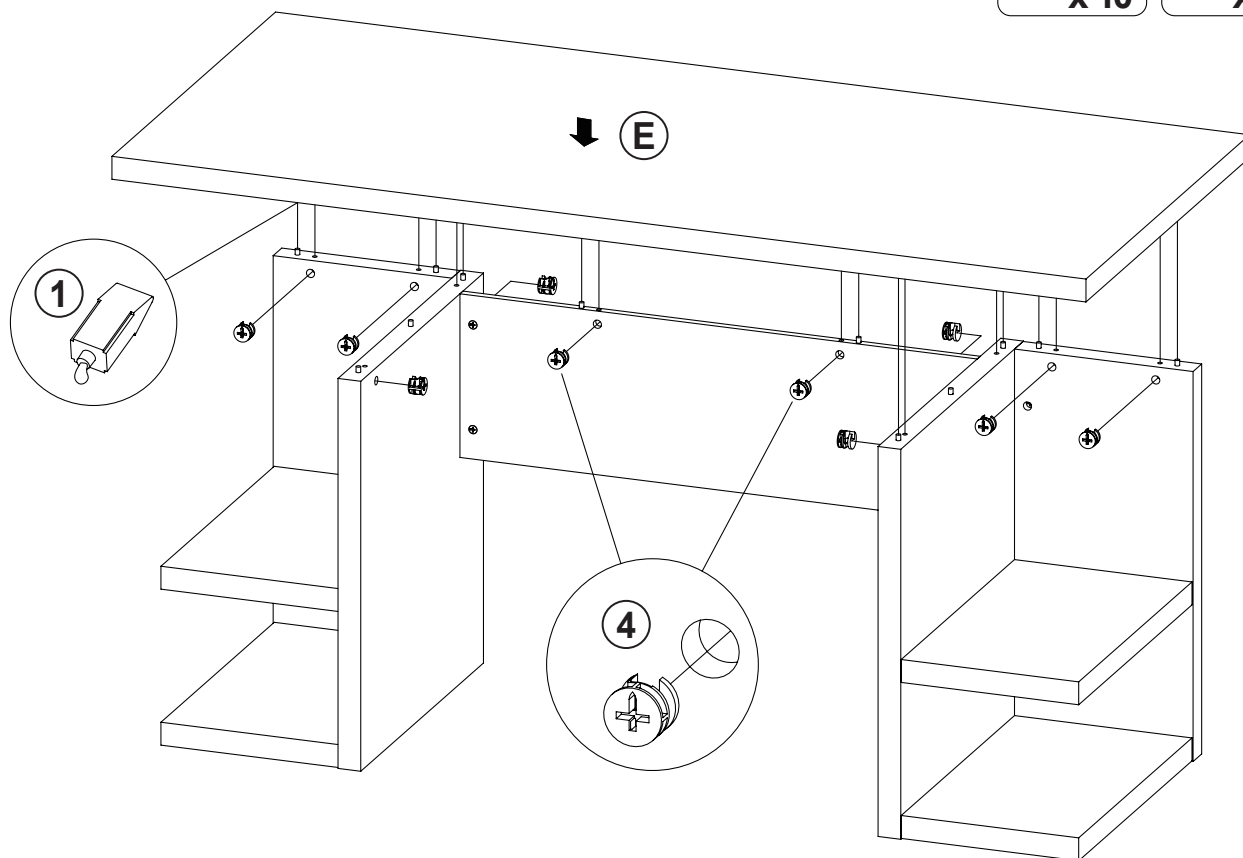
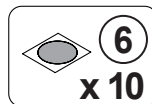


ITEM: 801455

COASTER[®]

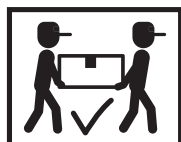
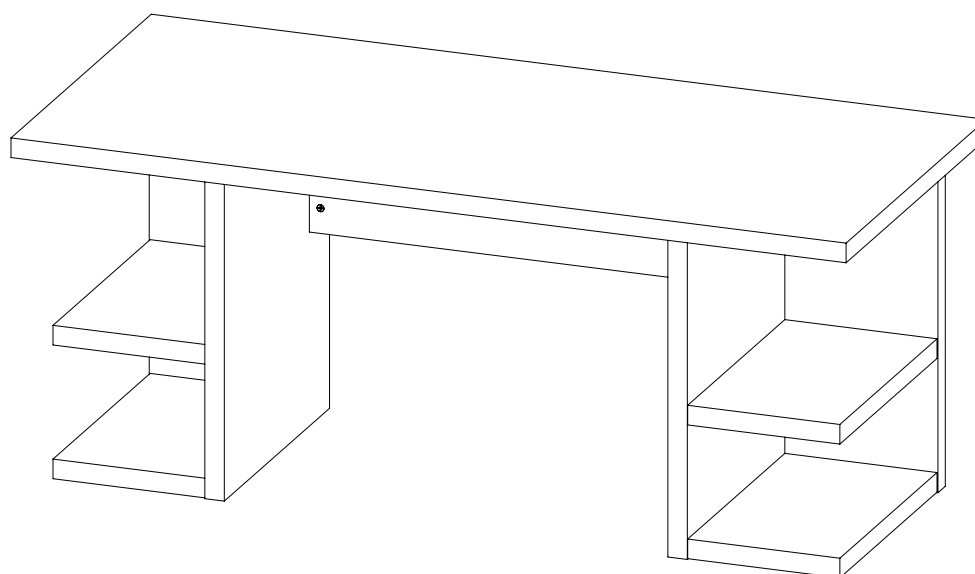
FINE FURNITURE

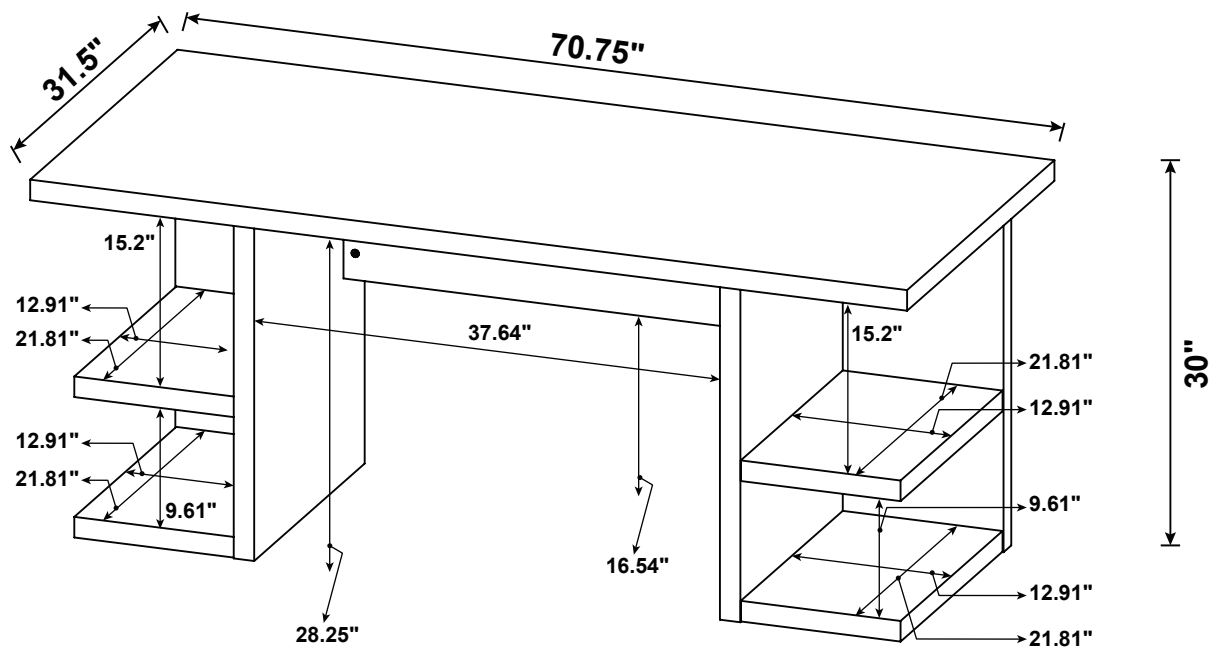
STEP 11



STEP 12

COMPLETE





Note : Dimension tolerance $\pm 5\%$