

**ASSEMBLY INSTRUCTIONS**  
**COASTER FINE FURNITURE**



*Fine Furniture for every stage of life*

**801573**  
**LIFT TOP OFFICE DESK**

# ITEM: 801573



## ASSEMBLY INSTRUCTIONS

### ASSEMBLY TIPS:

1. Remove hardware from box and sort by size.
2. Please check to see that all hardware and parts are present prior to start of assembly.
3. Please follow attached instructions in the same sequence as numbered to assure fast & easy assembly.



### WARNING!

1. Don't attempt to repair or modify parts that are broken or defective. Please contact the store immediately.
2. This product is for home use only and not intended for commercial establishments.



ASSEMBLY TIME

90 MINUTES

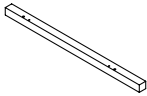

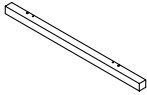
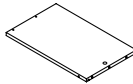
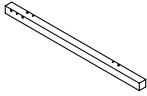
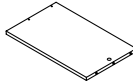
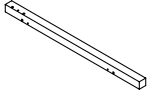
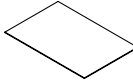
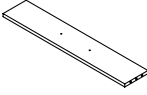
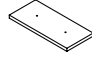
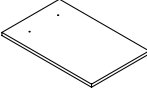

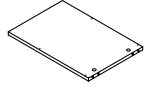



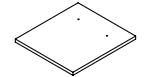

## PARTS IDENTIFICATION

A	LEFT SIDE PANEL		1 PC	G	ADJUSTABLE SHELF		1 PC
B	RIGHT SIDE PANEL		1 PC	H	LEFT TOP PANEL		1 PC
C	LEFT DIVIDER PANEL		1 PC	I	MIDDLE TOP PANEL		1 PC
D	RIGHT DIVIDER PANEL		1 PC	J	RIGHT TOP PANEL		1 PC
E	BOTTOM PANEL		2 PCS	K	BACK PANEL		2 PCS
F	MIDDLE CROSS PANEL		1 PC	L	MIDDLE BACK PANEL		1 PC

### NOTE:

Phillips head screw driver is required in the assembly process; however, manufacturer does not provide this item.

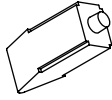

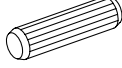

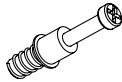
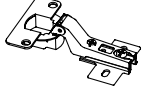




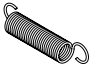


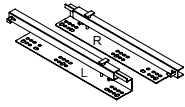
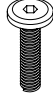


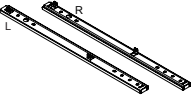


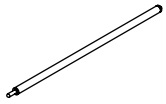
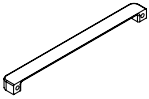
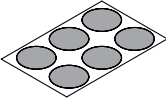

# ITEM: 801573

M	LEG 1		3 PCS	V	LARGE DRAWER BACK PANEL		1 PC
N	LEG 2		3 PCS	A1	LARGE DRAWER LEFT SIDE PANEL		1 PC
O	LEG 3		1 PC	B1	LARGE DRAWER RIGHT SIDE PANEL		1 PC
P	LEG 4		1 PC	C1	DRAWER BOTTOM PANEL		4 PCS
Q	FRONT PANEL		1 PC	D1	SMALL DRAWER FRONT PANEL		3 PCS
R	DOOR		1 PC	E1	SMALL DRAWER BACK PANEL		3 PCS
S	TRAY		2 PCS	F1	SMALL DRAWER LEFT SIDE PANEL		3 PCS
T	TRAY FRONT CROSS BAR		2 PCS	G1	SMALL DRAWER RIGHT SIDE PANEL		3 PCS
U	LARGE DRAWER FRONT PANEL		1 PC	H1	CROSSBAR		1 PC

**NOTE:**

Phillips head screw driver is required in the assembly process; however, manufacturer does not provide this item.

## HARDWARE IDENTIFICATION

Z							
NO	DESCRIPTION	FIGURE	Q'TY	NO	DESCRIPTION	FIGURE	Q'TY
1	GLUE 40g		2 PCS	14	HANDLE		2 PCS
2	WOODEN DOWEL Ø8x30mm		84 PCS	15	HANDLE BOLT Ø4x25mm SR		2 PCS
3	CAM BOLT Ø7x35.5mm SR		66 PCS	16	HINGE Ø35mm SR		2 PCS
4	CAM LOCK Ø15x12mm SR		66 PCS	17	HINGE SCREW Ø4x15mm SR		8 PCS
5	SCREW Ø4.3x35mm SR		16 PCS	18	LIFTER BLK		1 SET
6	PLASTIC FEET Ø15mm		8 PCS	19	SPRING BLK		2 PCS
7	PIN Ø4.9x15mm SR		4 PCS	20	BOLT Ø5.8x16mm BLK		12 PCS
8	GLIDES L=450mm SR		4 SET	21	BOLT M6x28mm BLK		4 PCS
9	GLIDES BOLT Ø6x13mm SR		48 PCS	22	BOLT M6x19mm BLK		4 PCS
10	RAIL L = 450mm SR		2 SET	23	ALLEN WRENCH 4mm SR		1 PC
11	RAIL SCREW Ø3x15mm SR		20 PCS	24	IRON BAR Ø9.5x280mm SR		2 PCS
12	HANDLE L=170mm SR		6 PCS	25	STICKER Ø20mm		11 PCS
13	HANDLE BOLT Ø4x25mm SR		12 PCS				

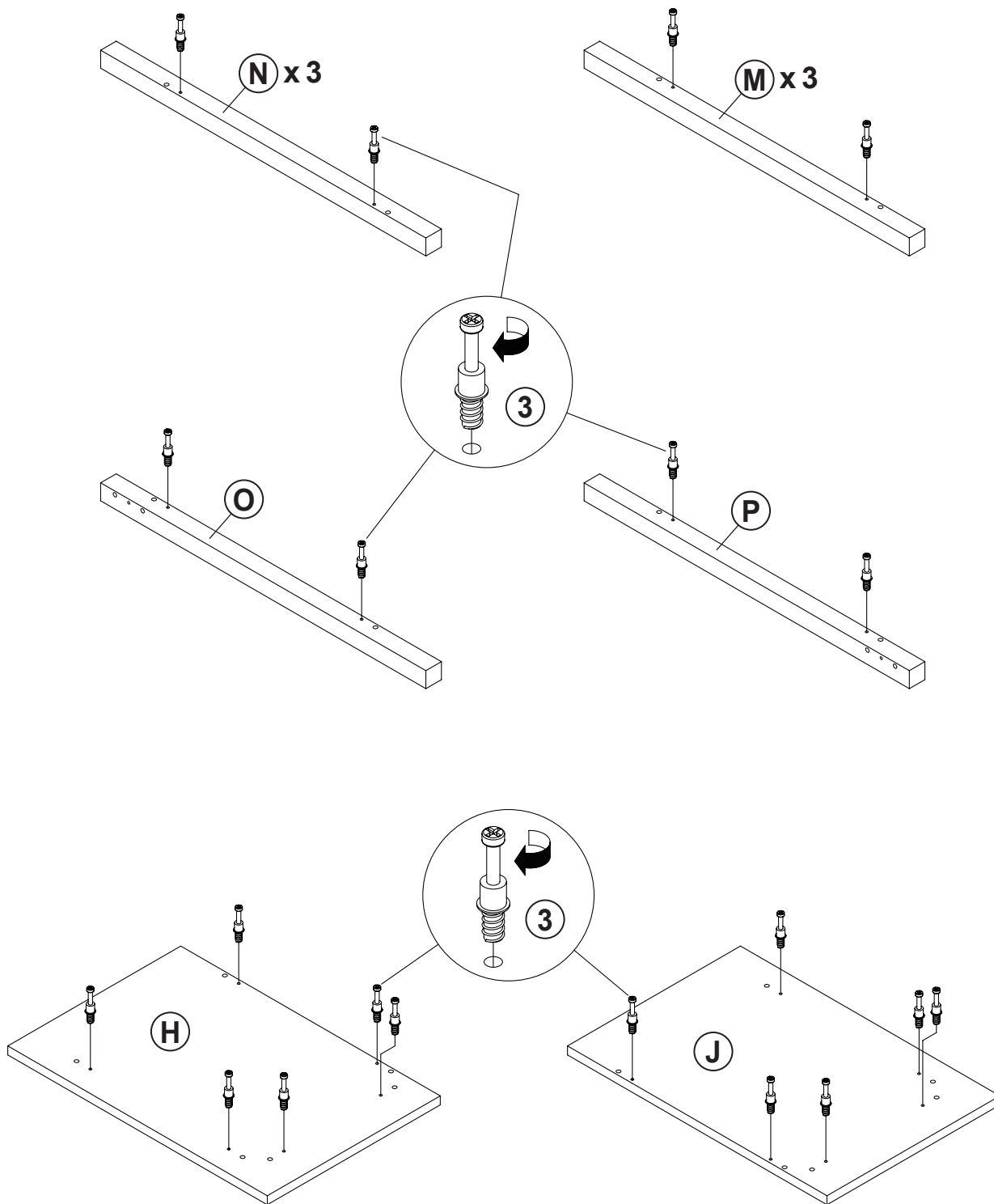
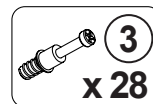
Z8,Z10,Z12,Z16,Z18,Z19,Z24 not included in blister packaging.

**NOTE:**

Phillips head screw driver is required in the assembly process; however, manufacturer does not provide this item.

ITEM: 801573

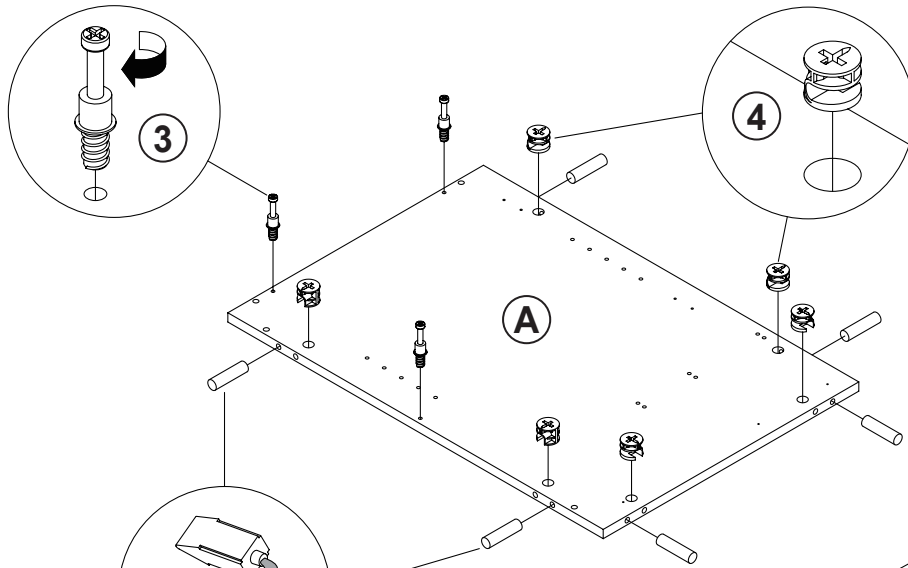
**STEP 1**



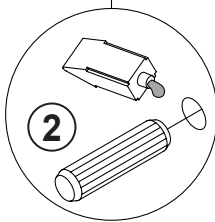
ITEM: 801573

**COASTER**  
FINE FURNITURE

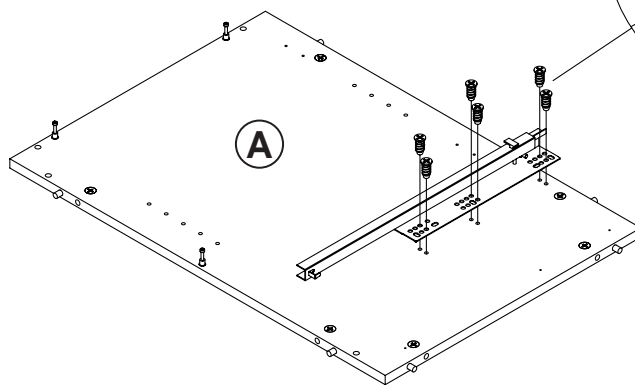
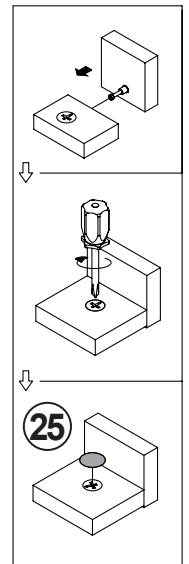
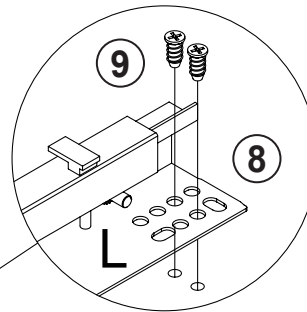
**STEP 2**



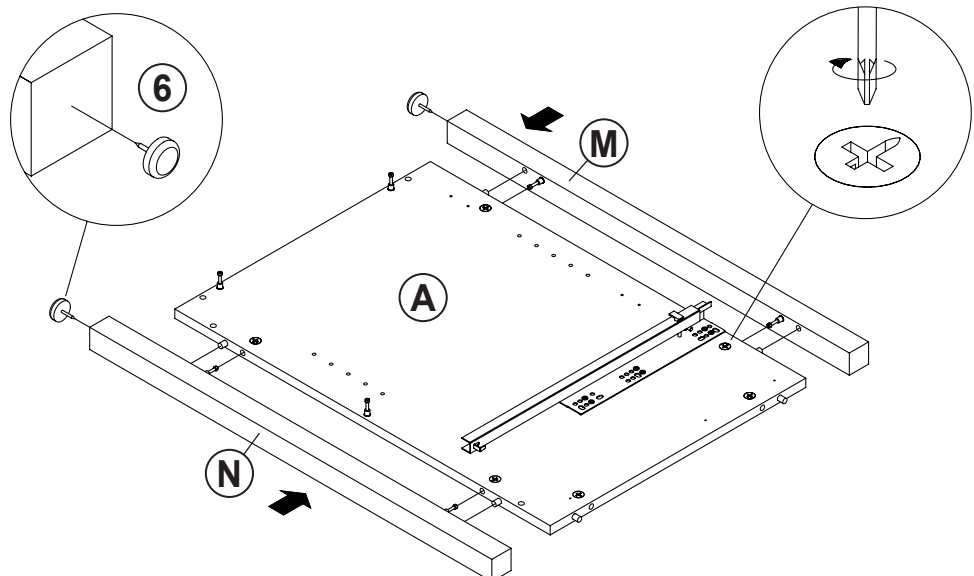
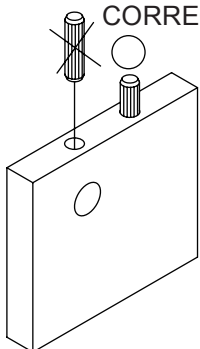
- 2 x 6
- 3 x 3
- 4 x 6
- 6 x 2
- 8 x 1
- 9 x 6
- 25 x 4



Apply glue on all wooden dowels to ensure integrity of the structure.



INCORRECT  
CORRECT





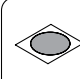


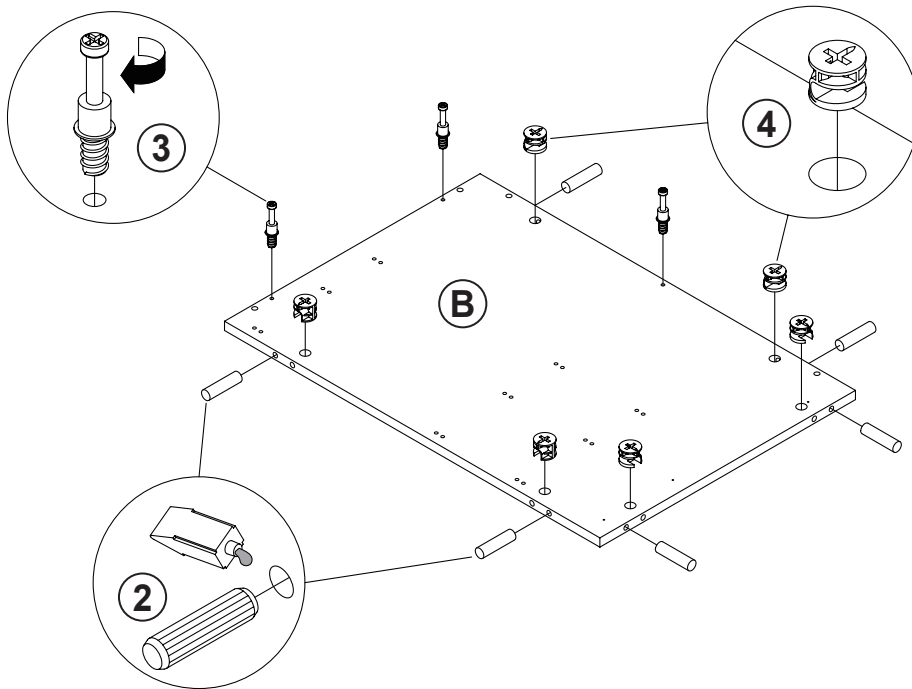
ITEM: 801573

**COASTER**<sup>®</sup>

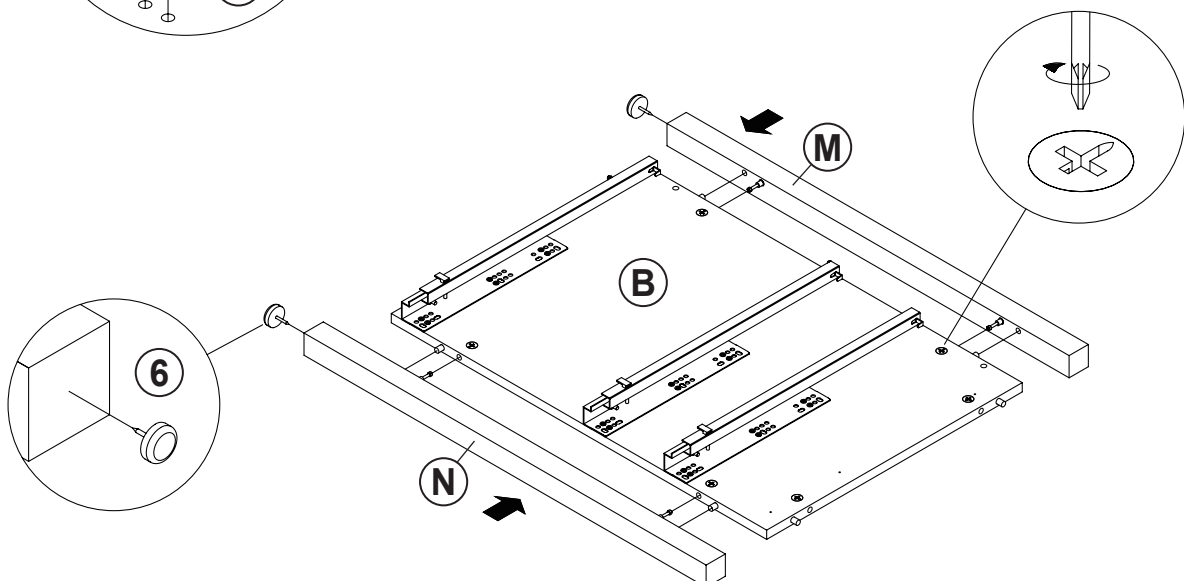
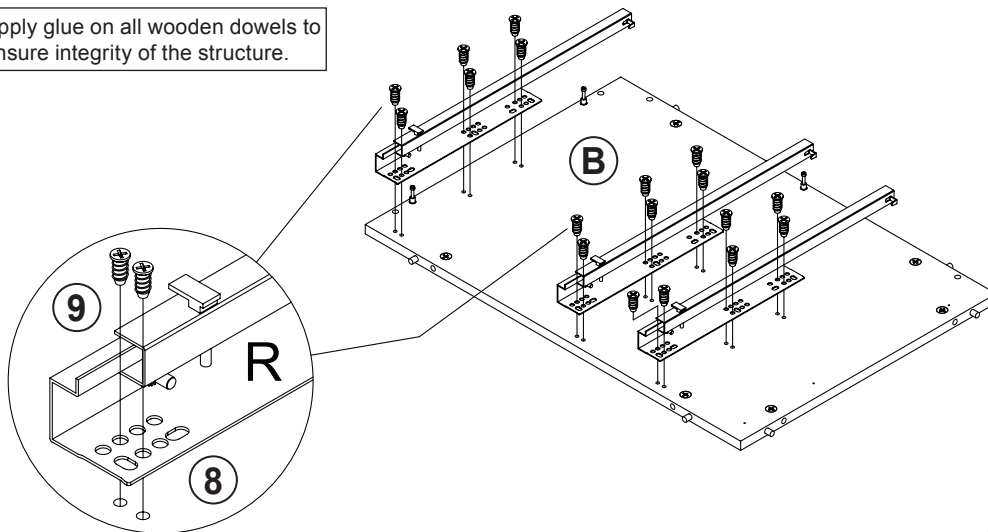
FINE FURNITURE

**STEP 3**

- |  |  |
|--|--|
|  <b>2</b><br>x 6  |  <b>3</b><br>x 3  |
|  <b>4</b><br>x 6  |  <b>6</b><br>x 2  |
|  <b>8</b><br>x 3  |  <b>9</b><br>x 18 |
|  <b>25</b><br>x 4 |  |



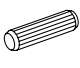


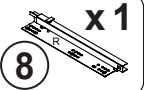

Apply glue on all wooden dowels to ensure integrity of the structure.

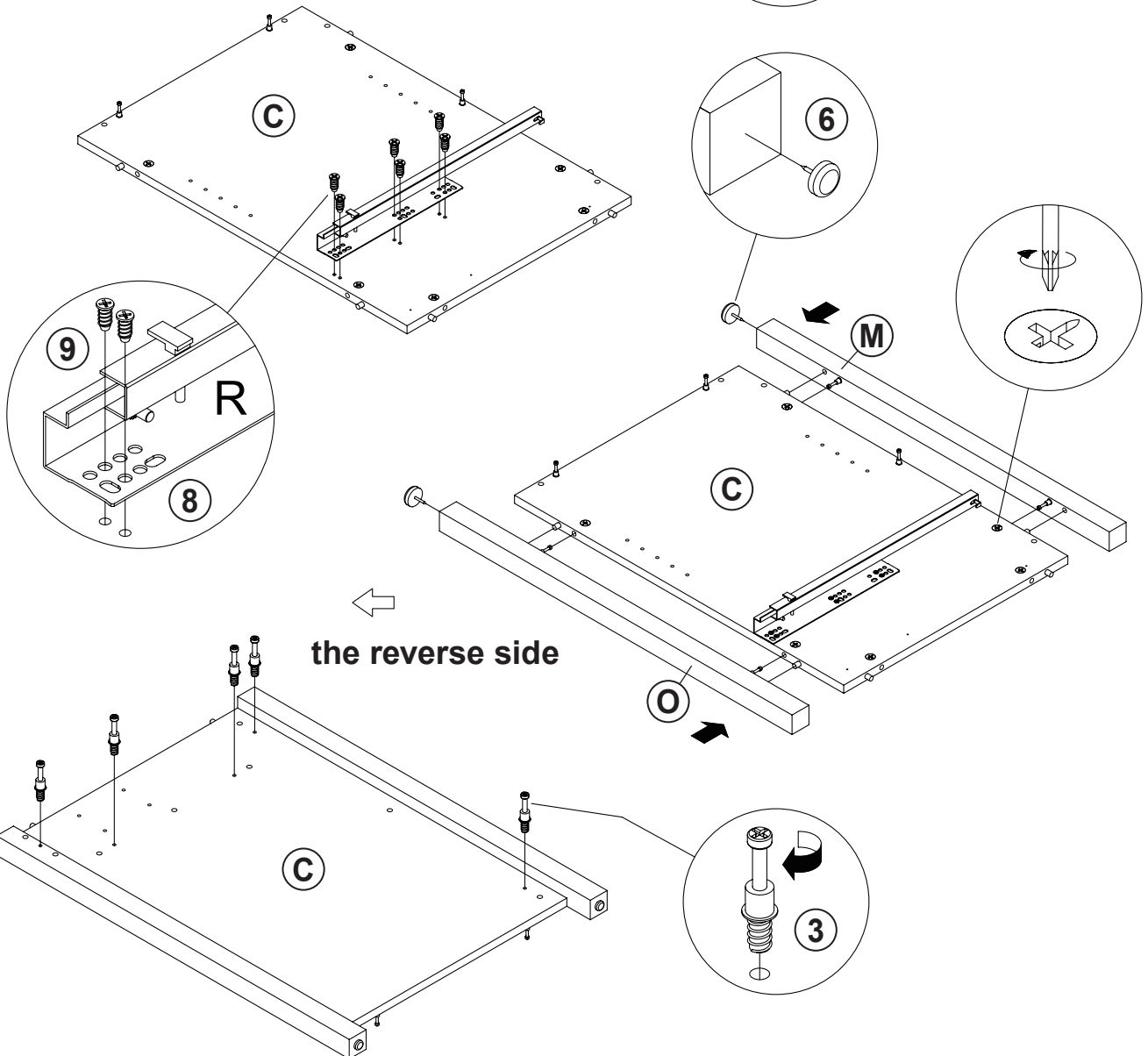
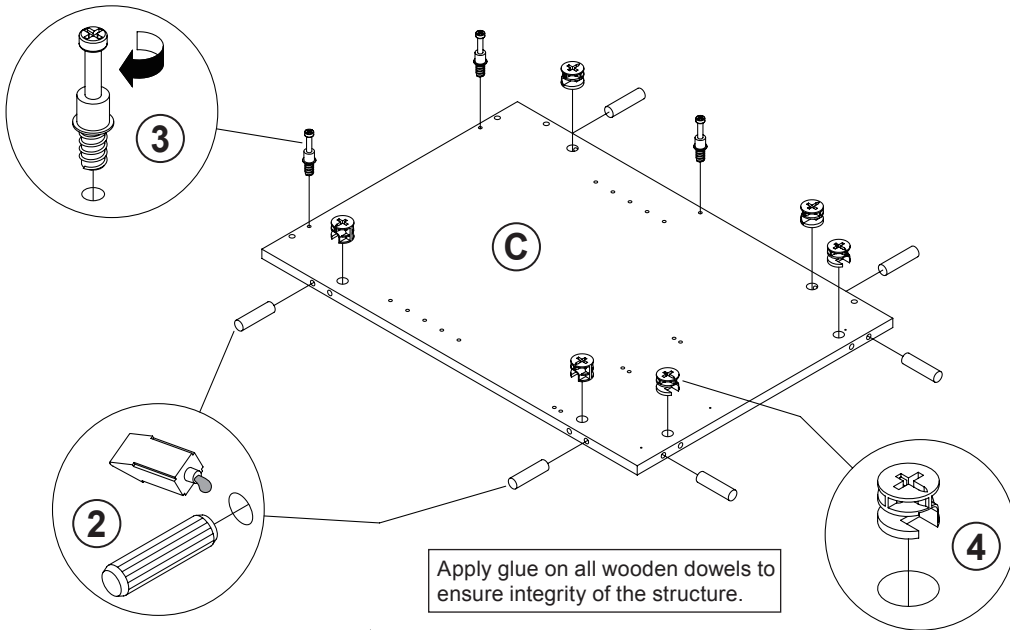


ITEM: 801573

**COASTER**  
FINE FURNITURE

**STEP 4**

- |  |   |
|--|---|
|  <b>2</b><br>x 6  |  <b>3</b><br>x 8 |
|  <b>4</b><br>x 6  |  <b>6</b><br>x 2 |
|  <b>8</b><br>x 1  |  <b>9</b><br>x 6 |
|  <b>25</b><br>x 4 |   |

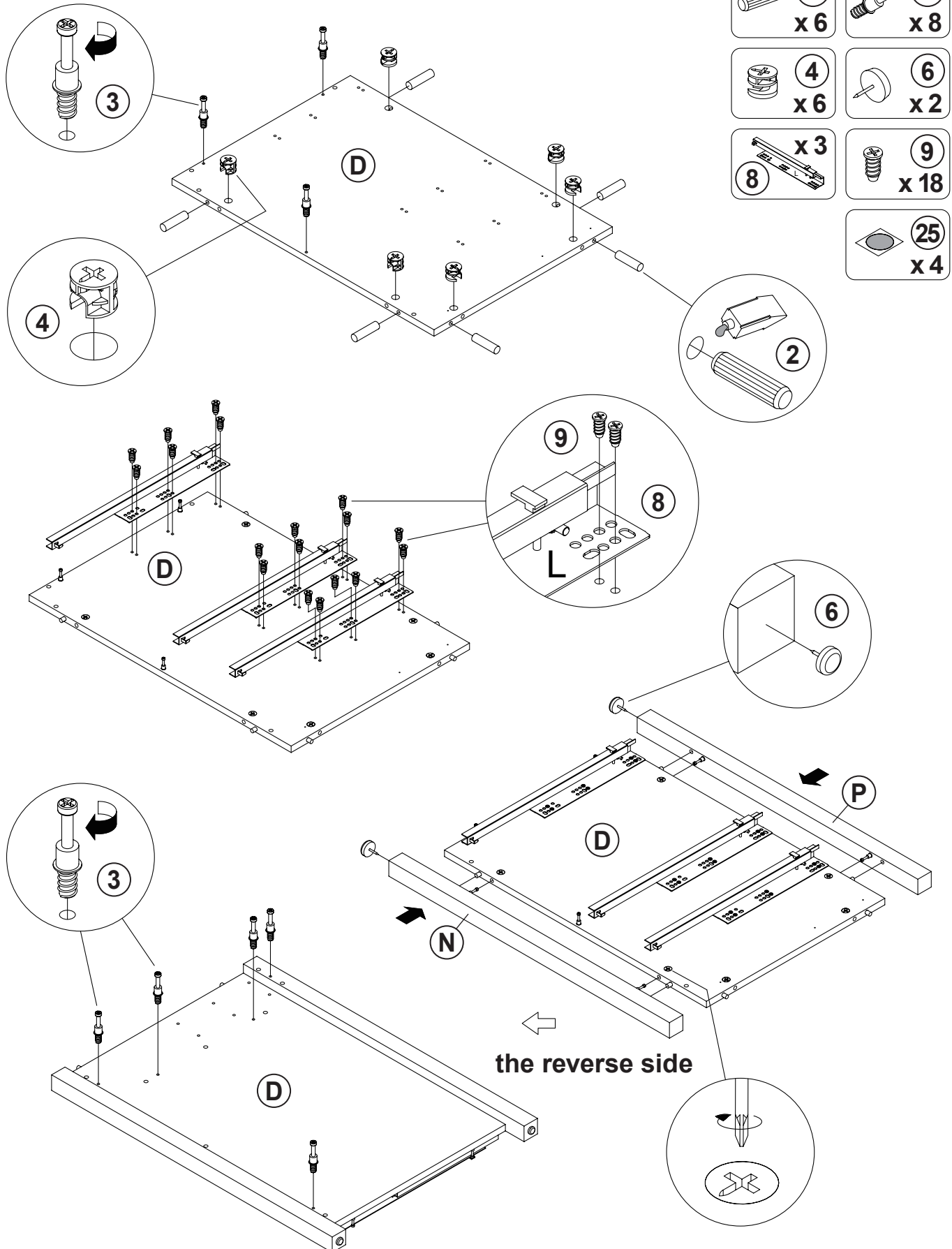




ITEM: 801573

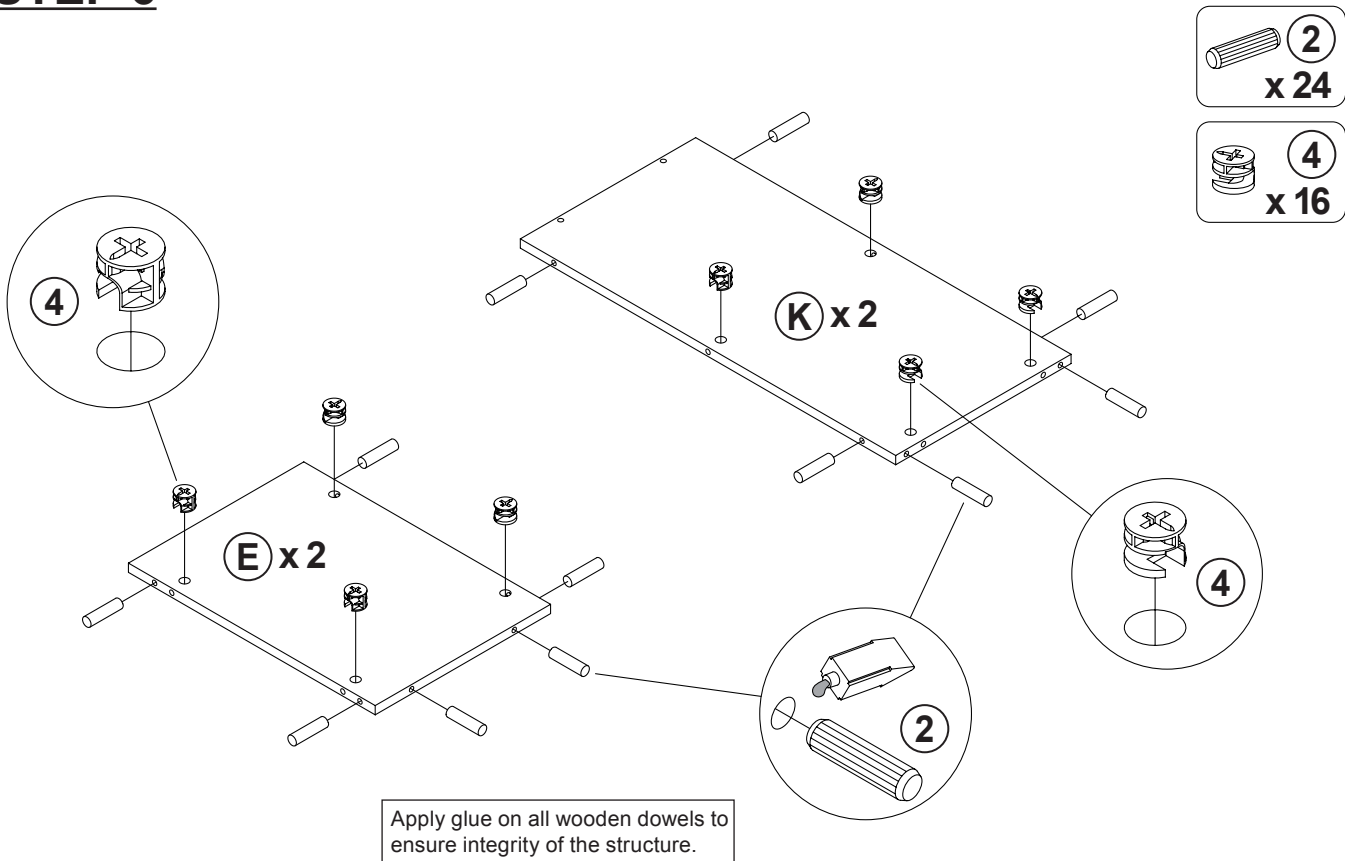
**COASTER**  
FINE FURNITURE

**STEP 5**

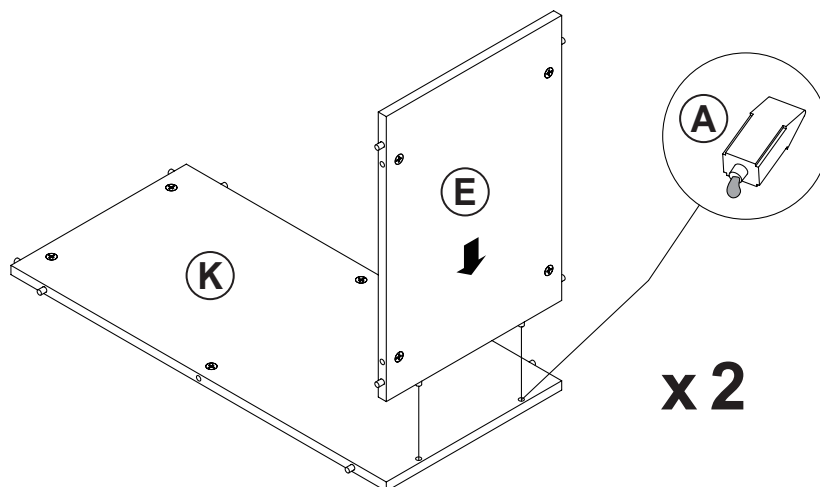


ITEM: 801573

**STEP 6**



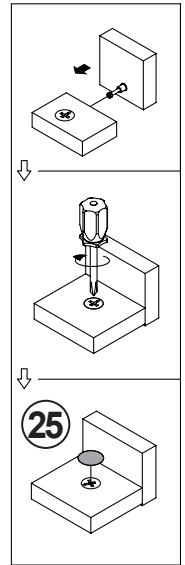
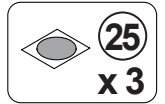
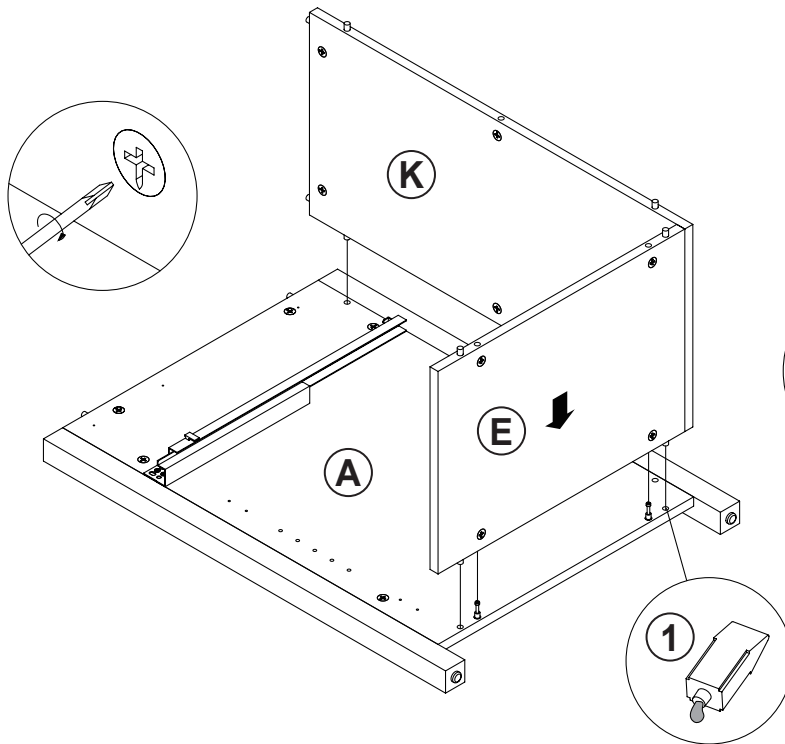
**STEP 7**



ITEM: 801573

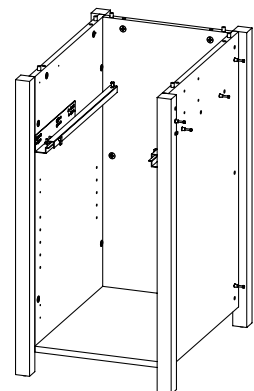
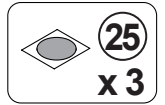
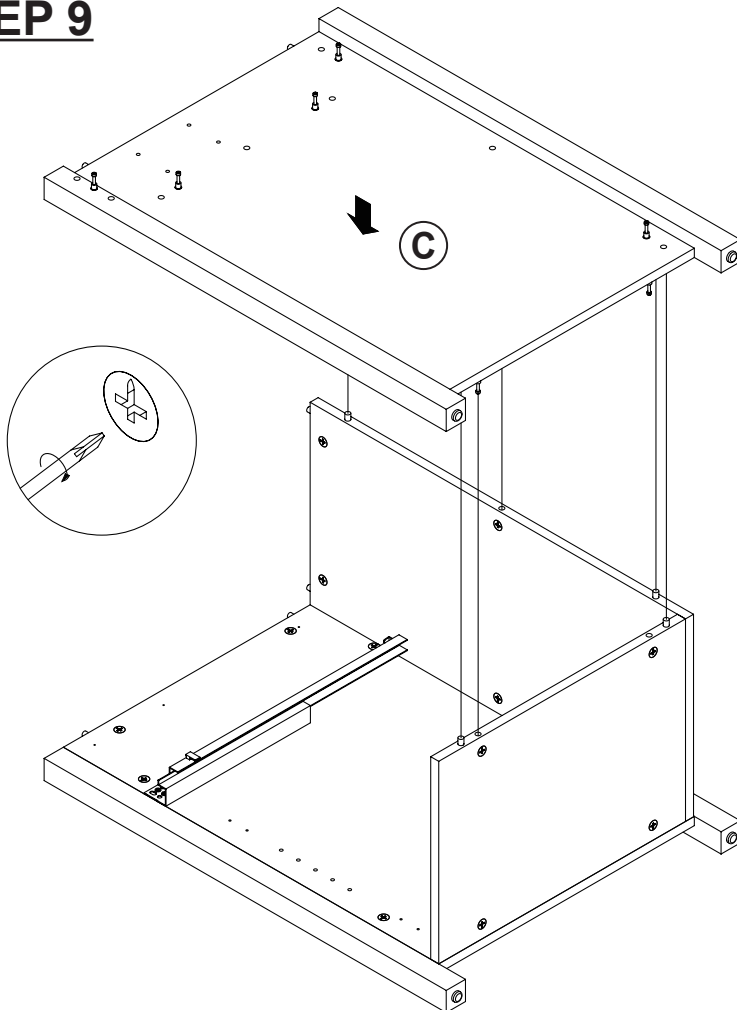
**COASTER**  
FINE FURNITURE

**STEP 8**



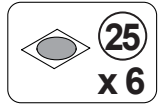
Apply glue on all wooden dowels to ensure integrity of the structure.

**STEP 9**

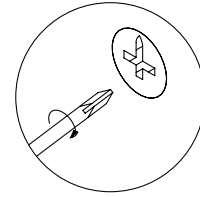
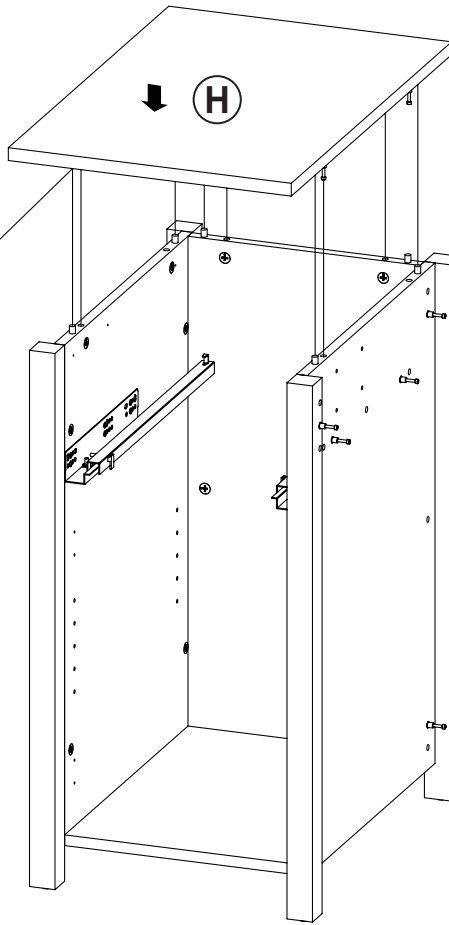
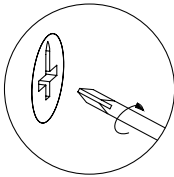
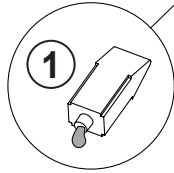


ITEM: **801573**

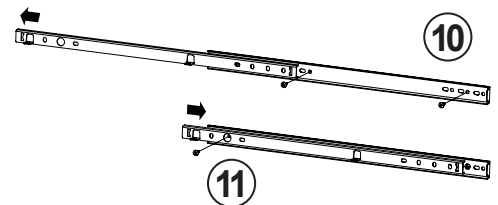
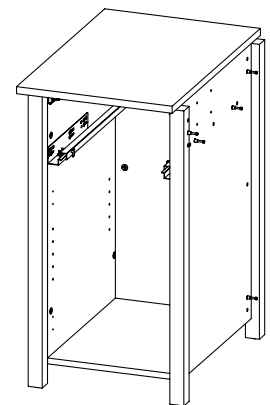
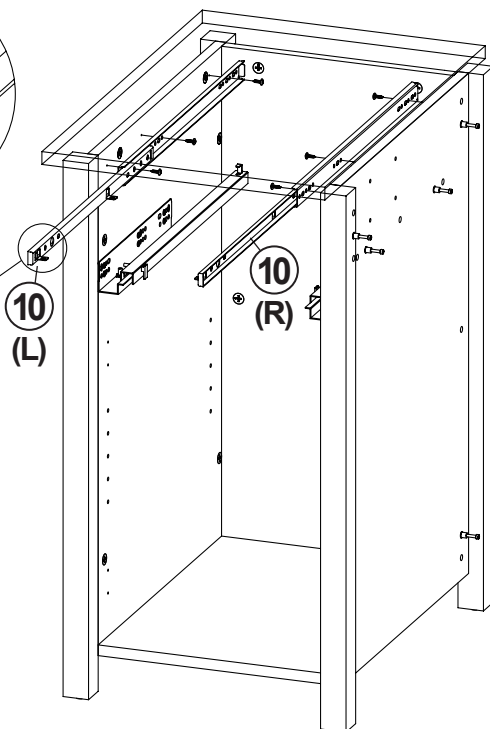
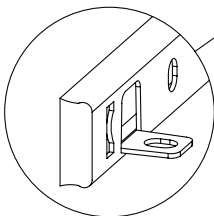
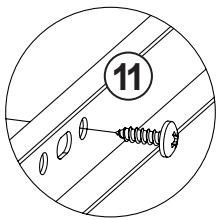
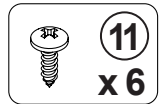
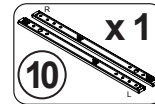
**STEP 10**



Apply glue on all wooden dowels to ensure integrity of the structure.



**STEP 11**



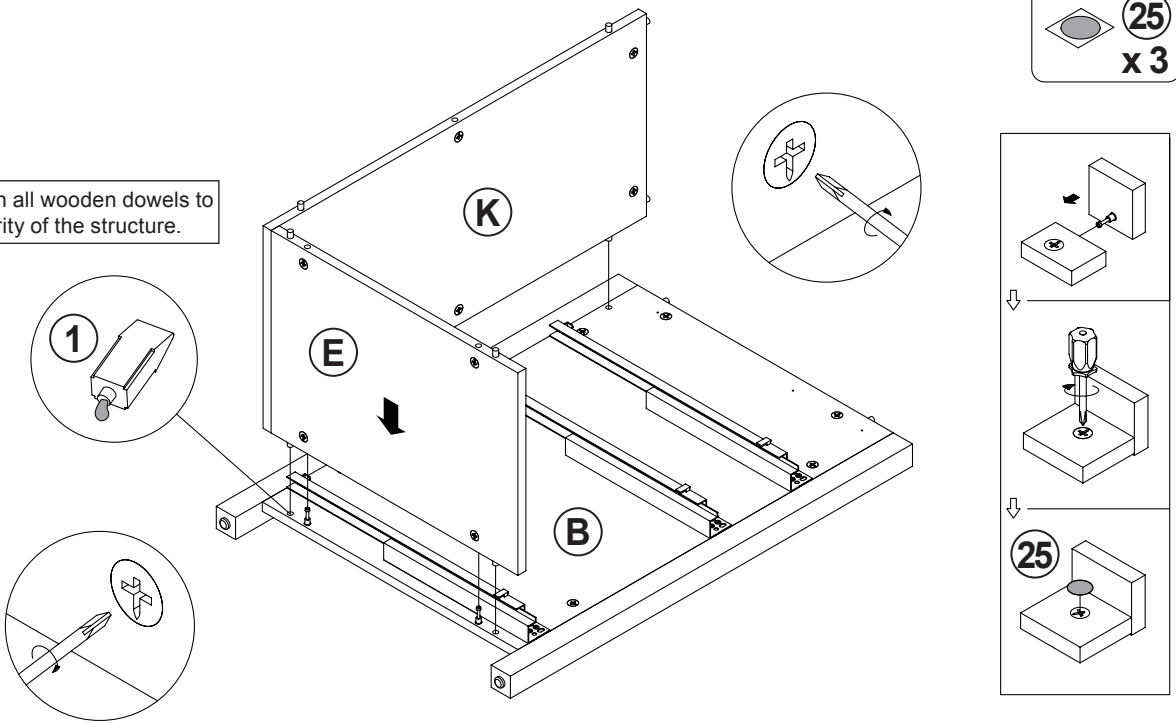
ITEM: **801573**

**COASTER**  
FINE FURNITURE

**STEP 12**

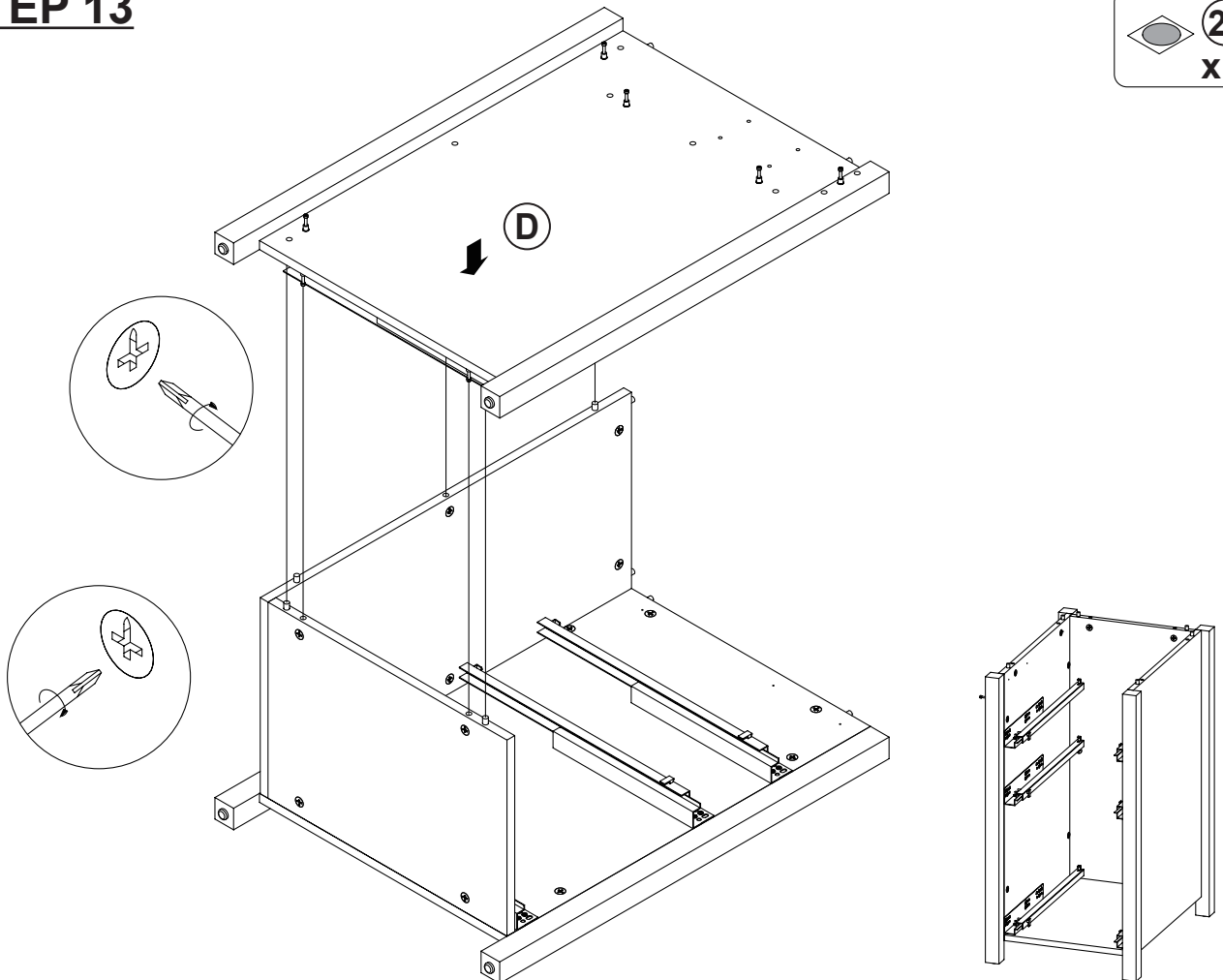
**25**  
x 3

Apply glue on all wooden dowels to ensure integrity of the structure.



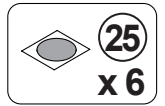
**STEP 13**

**25**  
x 3

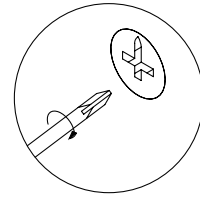
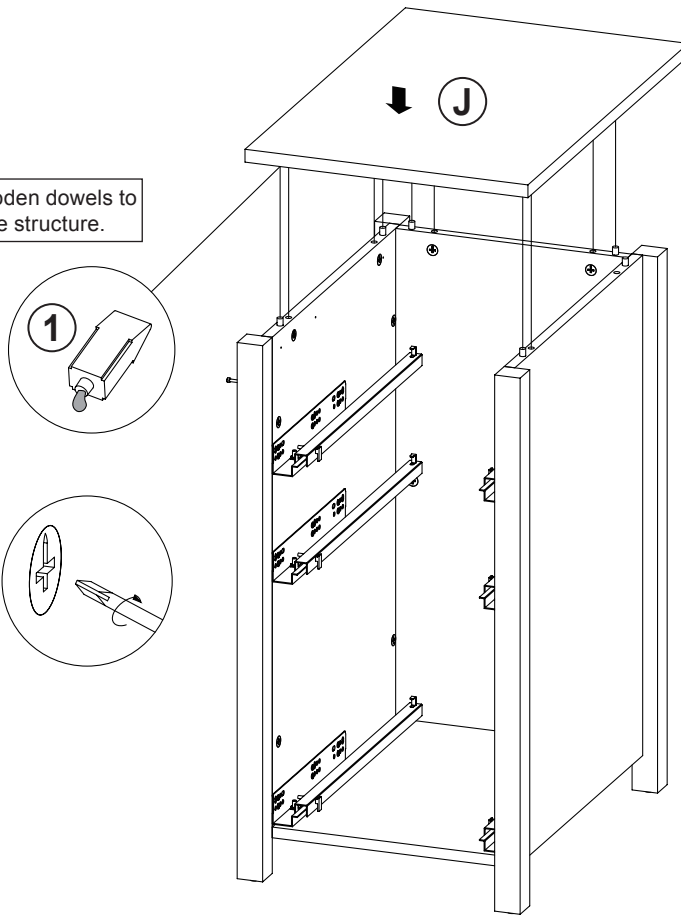


ITEM: **801573**

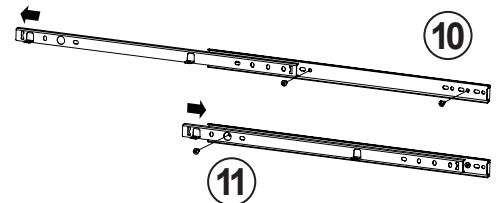
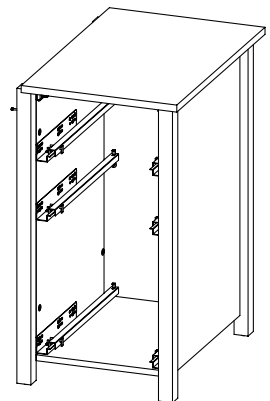
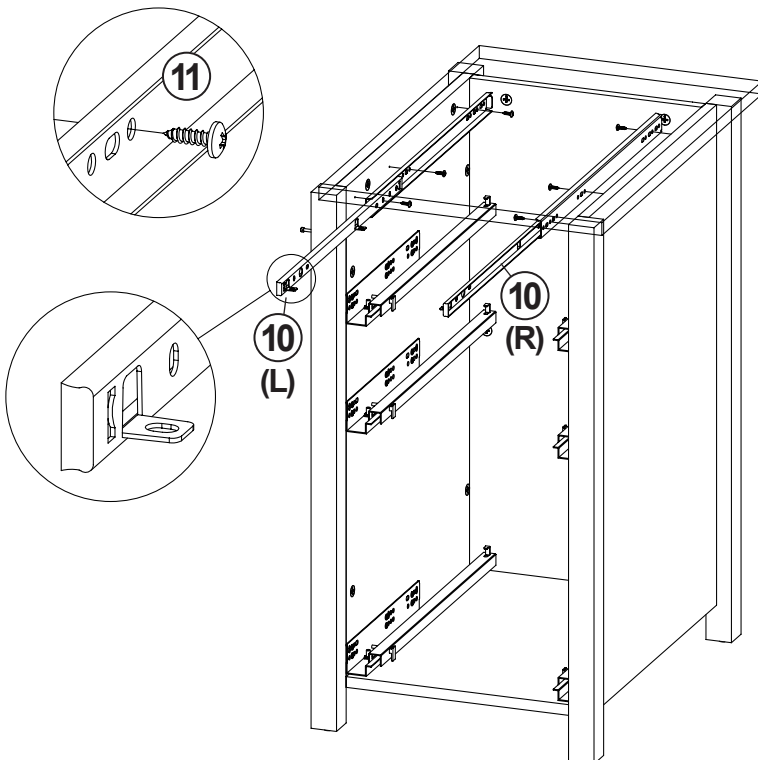
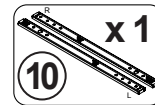
**STEP 14**



Apply glue on all wooden dowels to ensure integrity of the structure.



**STEP 15**

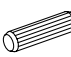






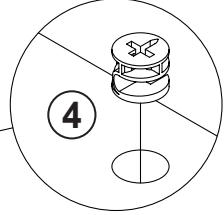
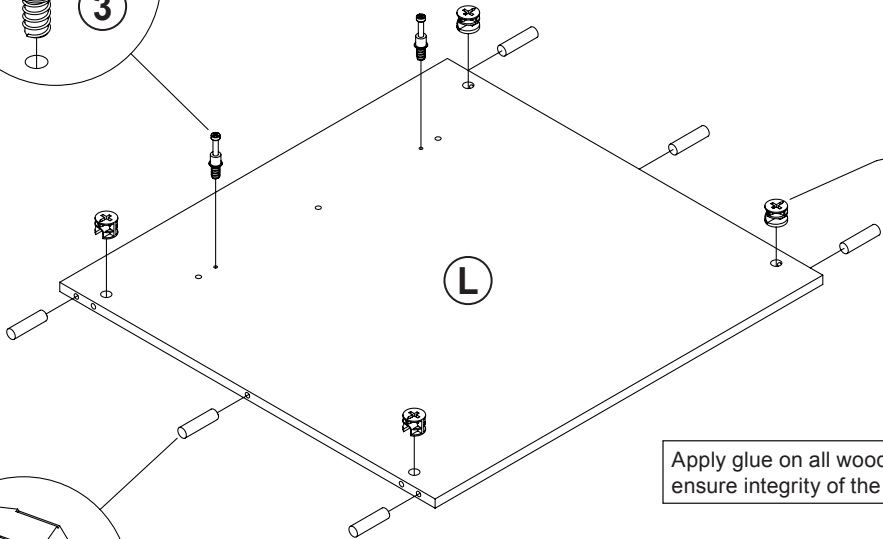
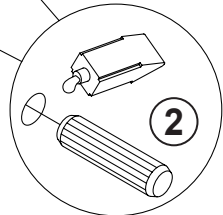
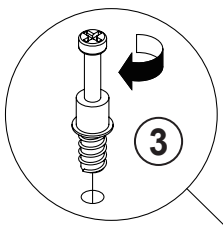
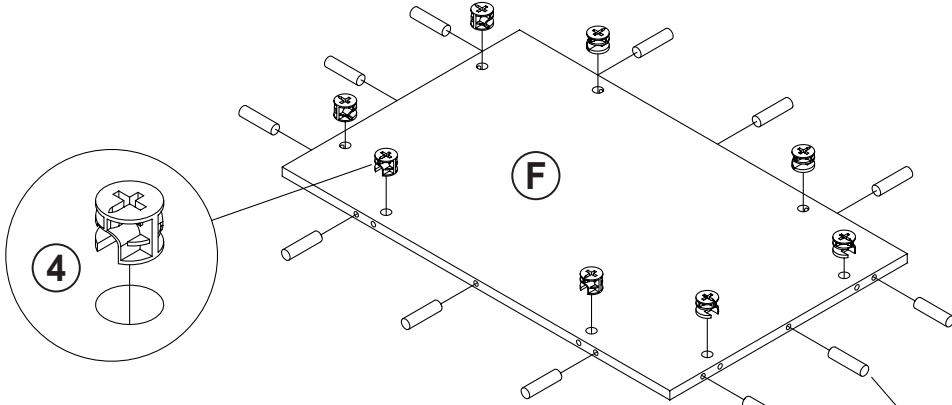
ITEM: 801573

**COASTER**<sup>®</sup>

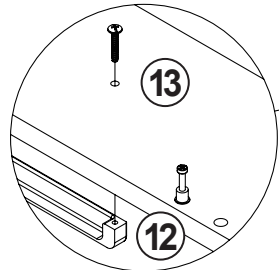
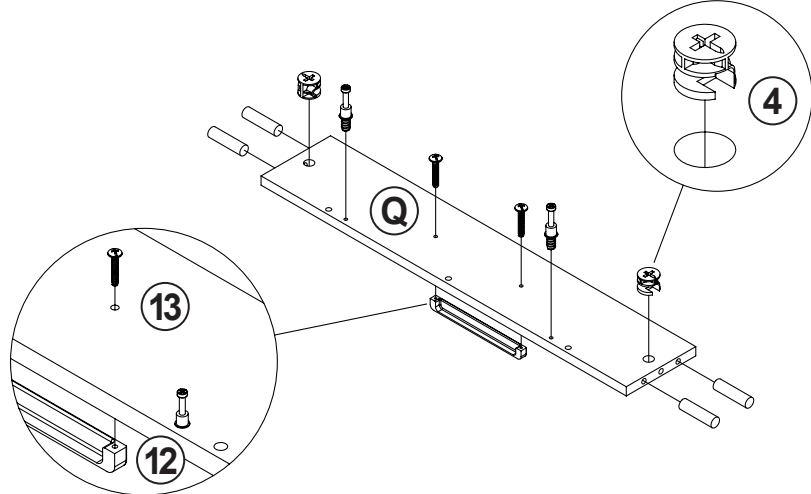
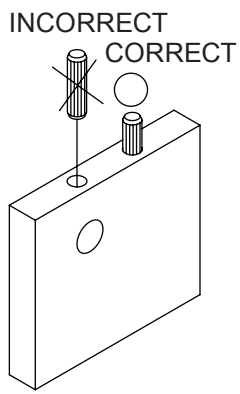
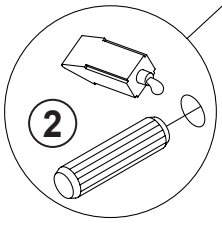
FINE FURNITURE

**STEP 16**

-  **2**  
x 22
-  **3**  
x 4
-  **4**  
x 14
-  **12**  
x 1
-  **13**  
x 2

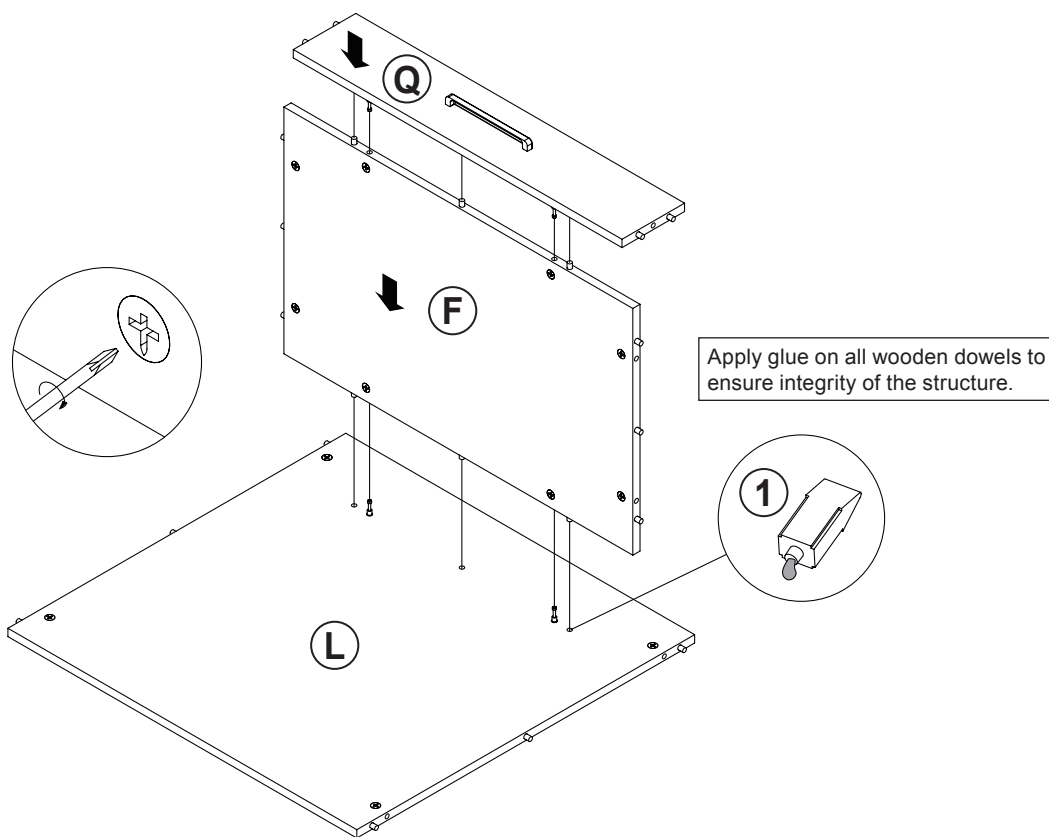
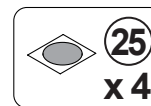


Apply glue on all wooden dowels to ensure integrity of the structure.

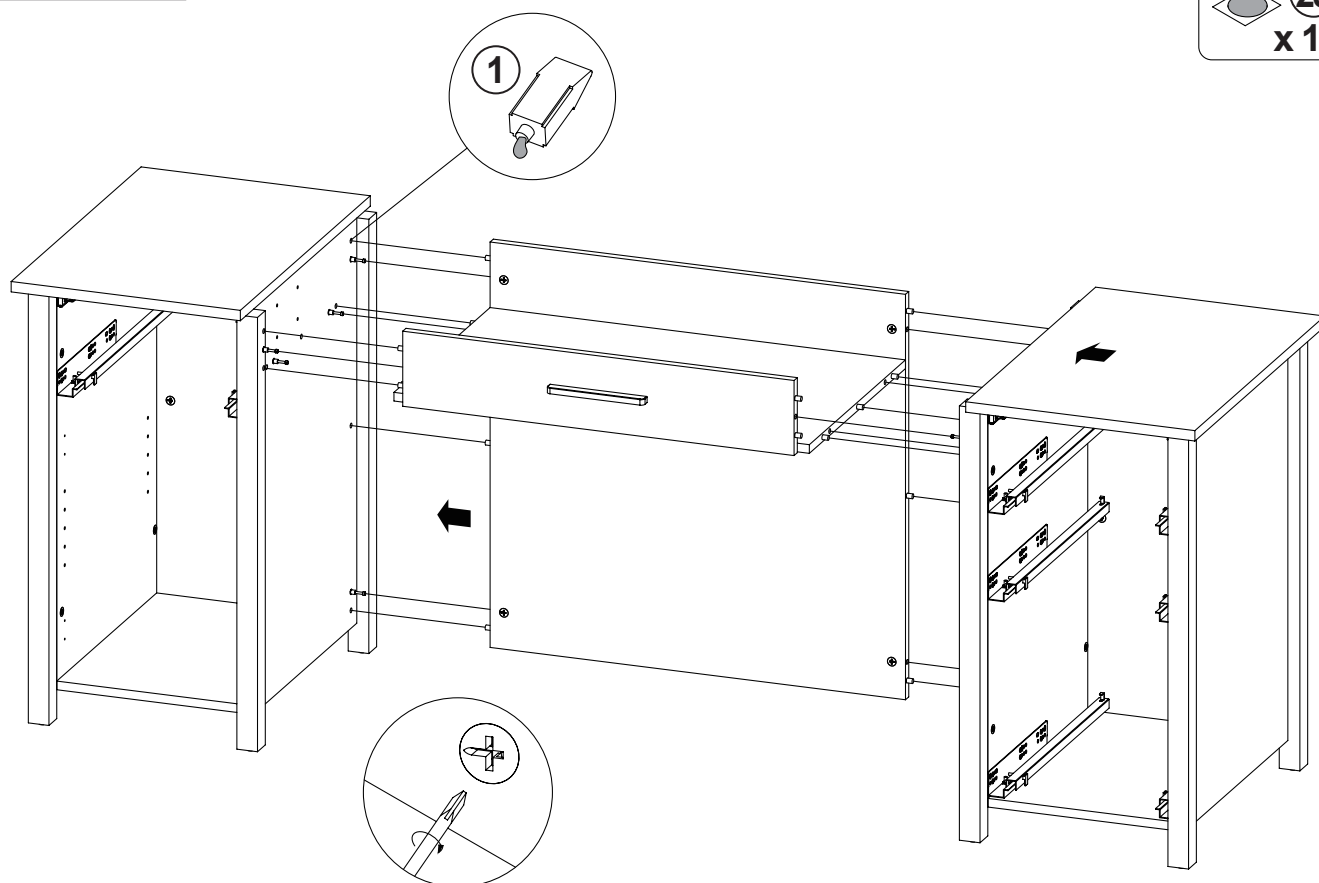
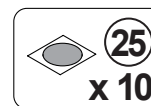


ITEM: 801573

**STEP 17**



**STEP 18**

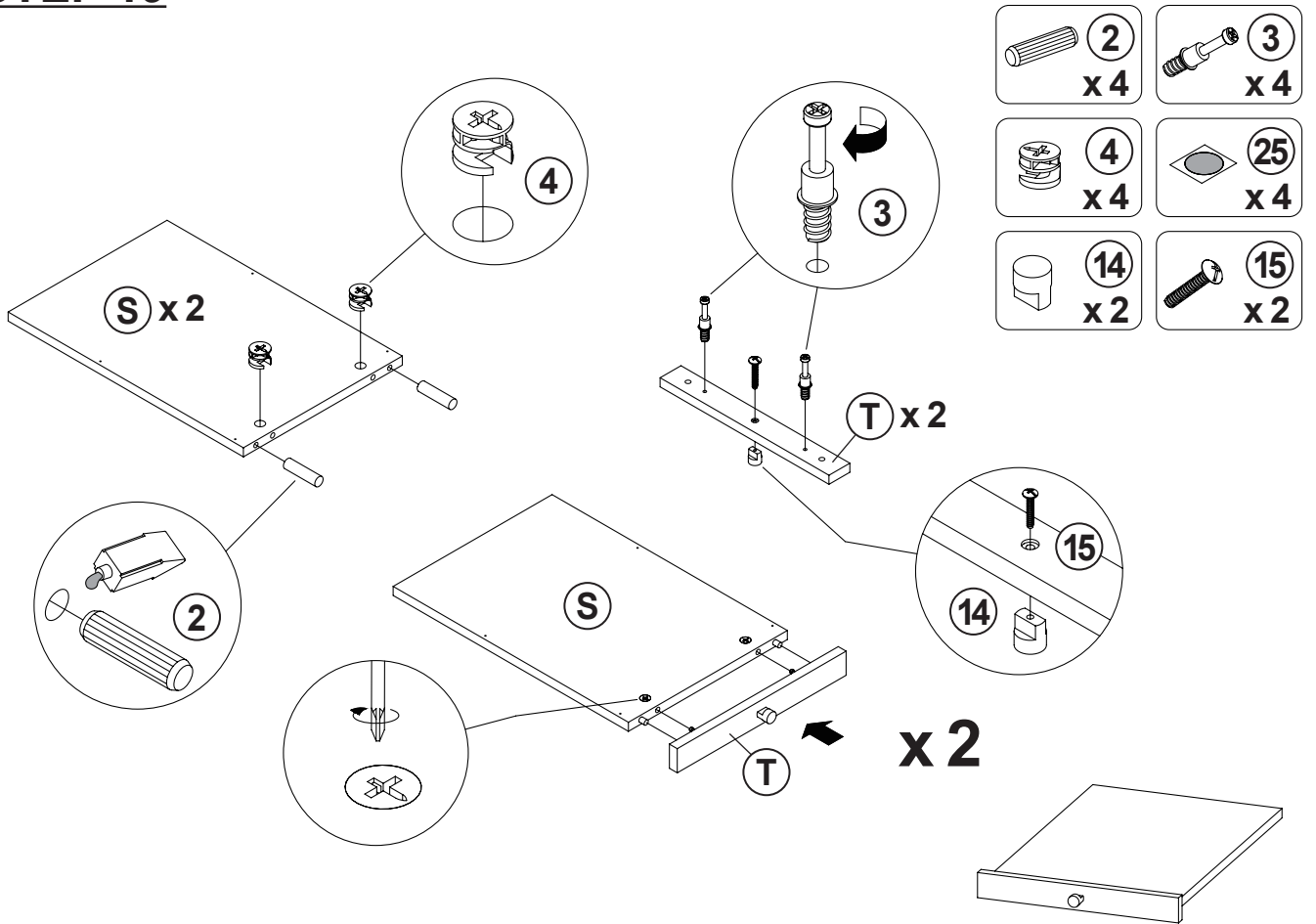




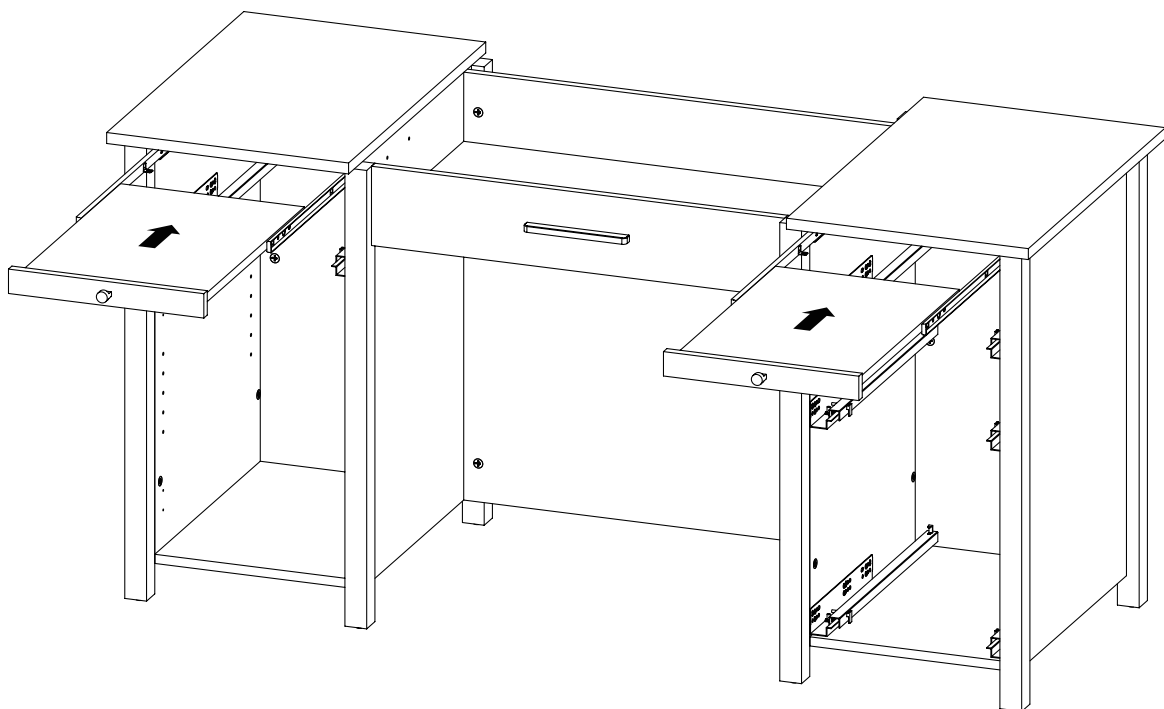
ITEM: 801573

**COASTER**  
FINE FURNITURE

**STEP 19**



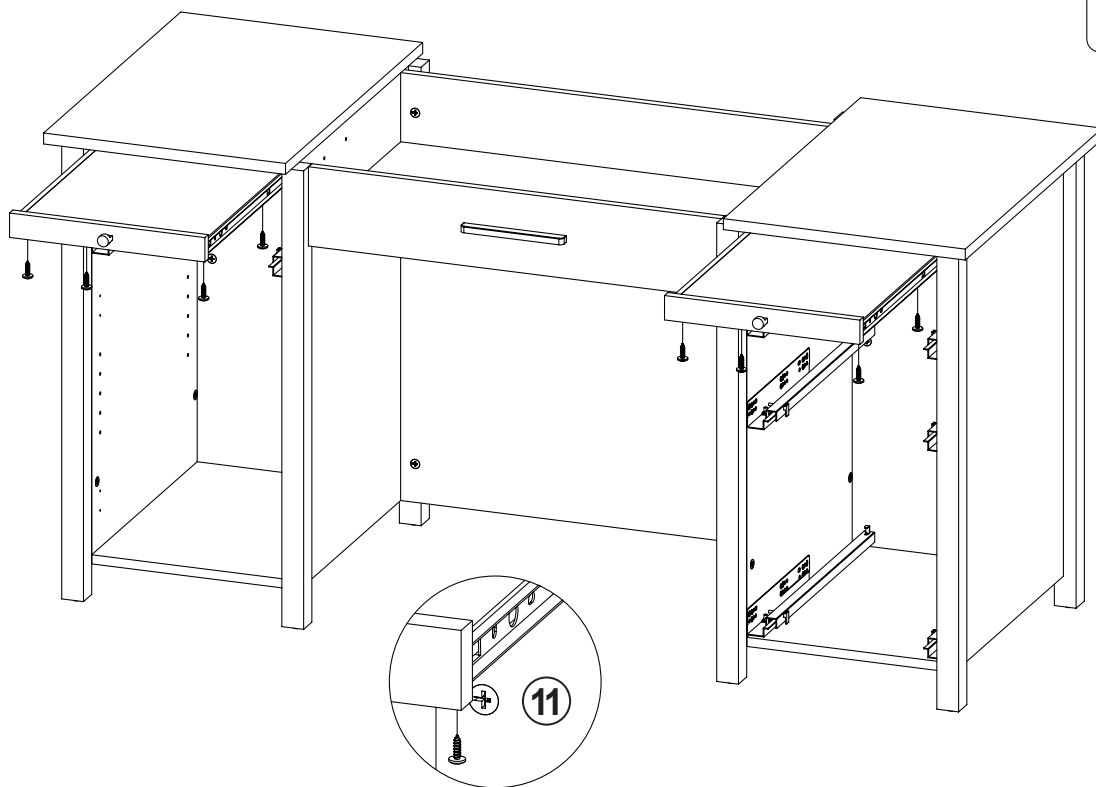
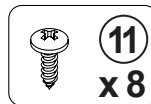
**STEP 20**



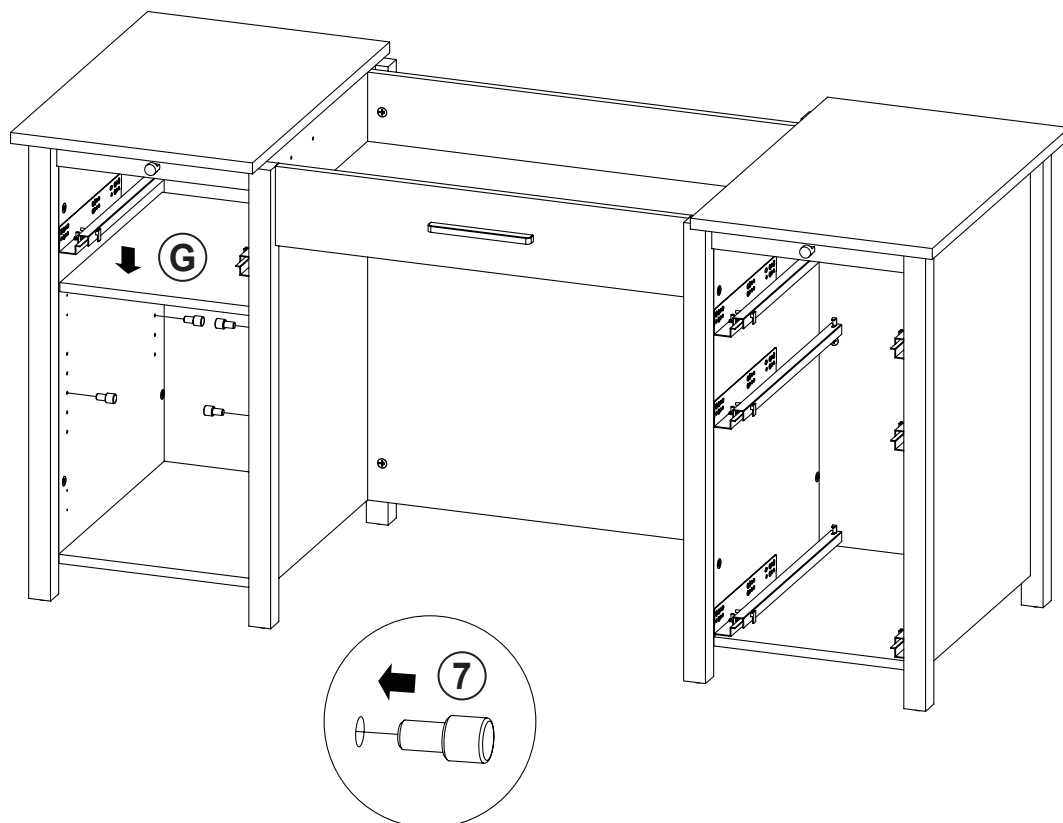
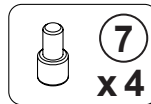
ITEM: **801573**

**COASTER**  
FINE FURNITURE

**STEP 21**



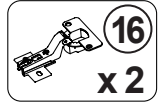
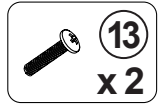
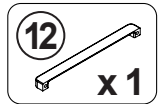
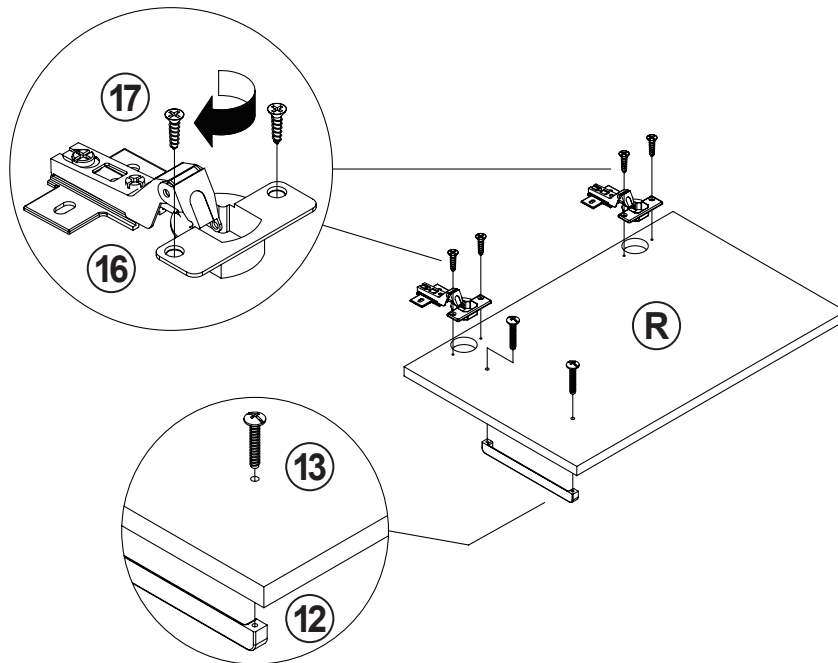
**STEP 22**



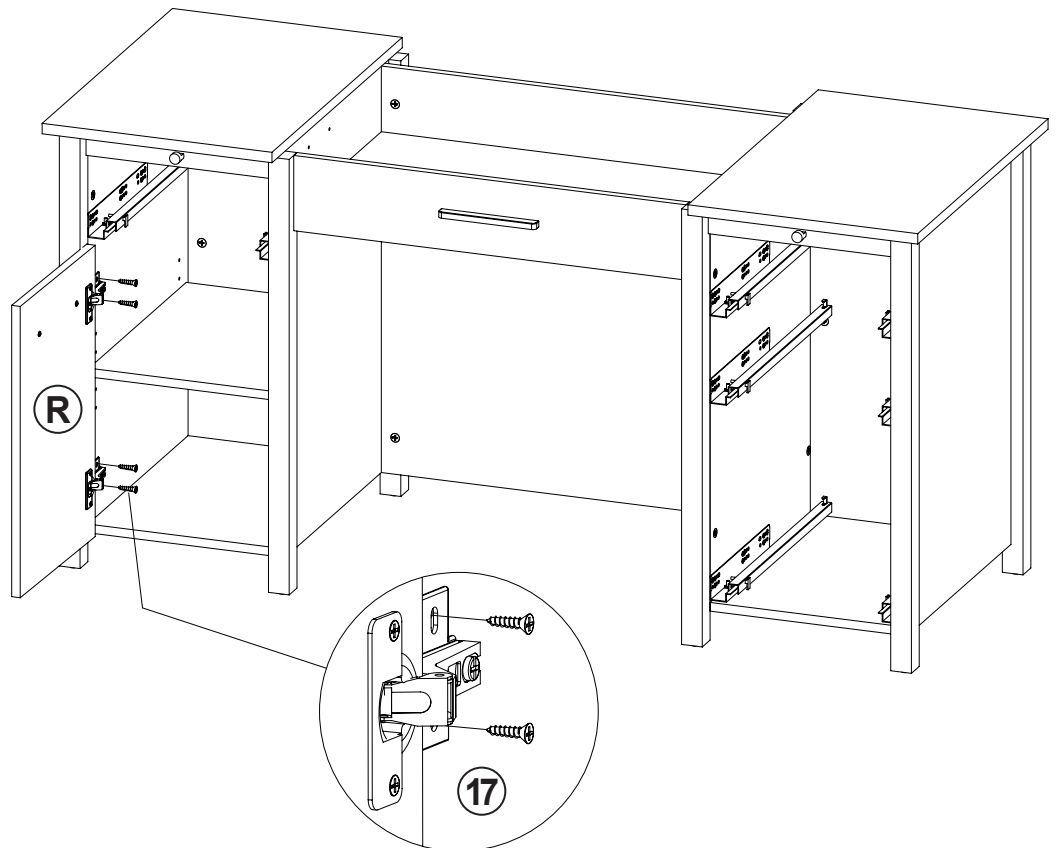
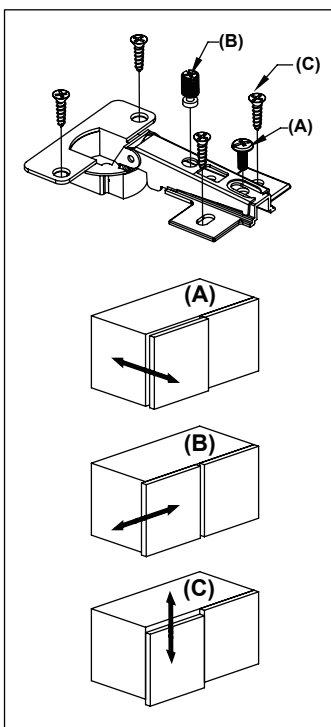
ITEM: 801573

**COASTER**  
FINE FURNITURE

**STEP 23**

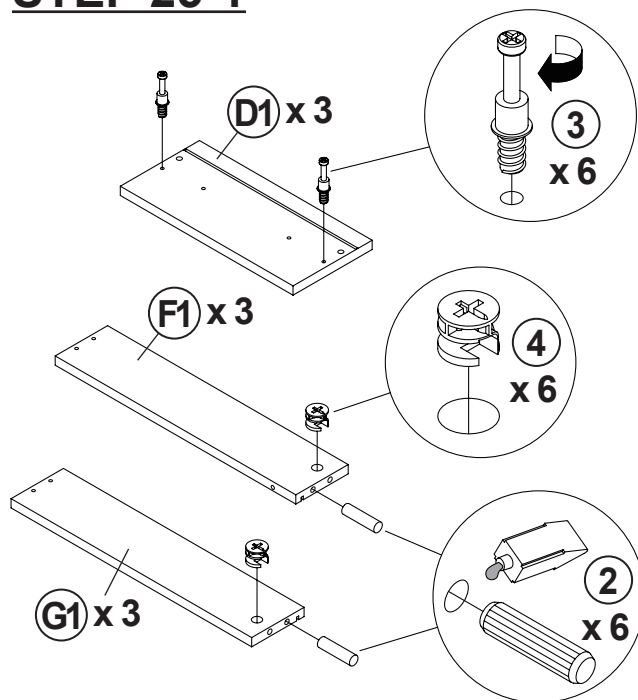


**STEP 24**

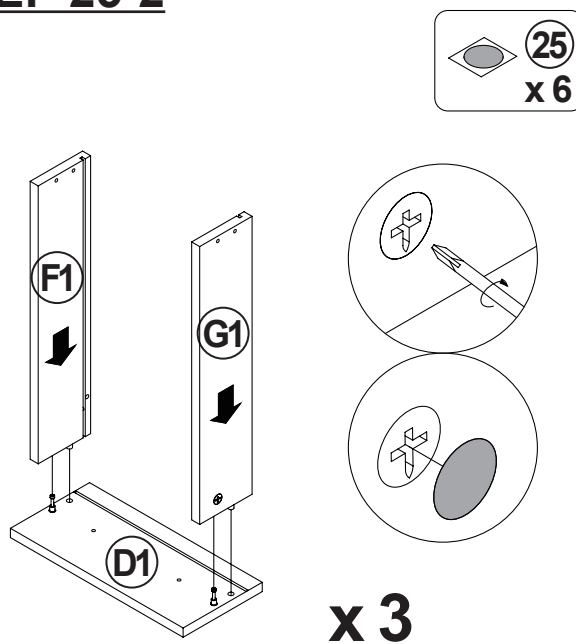


ITEM: **801573**

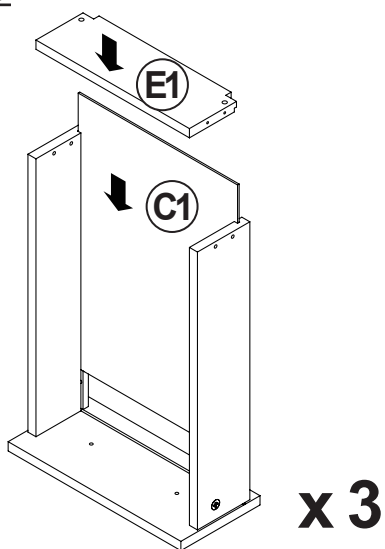
**STEP 25-1**



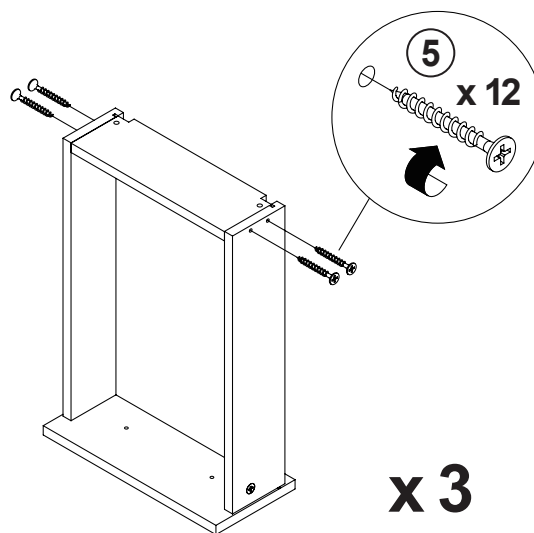
**STEP 25-2**



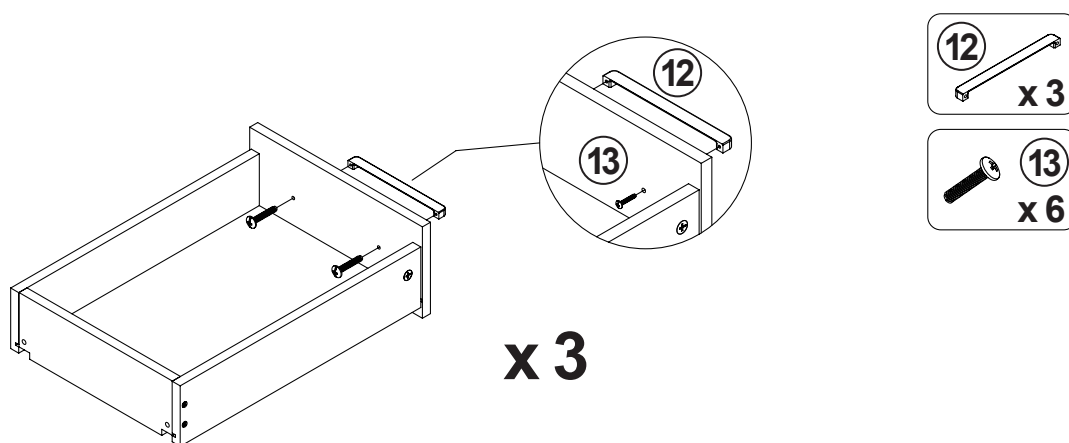
**STEP 25-3**



**STEP 25-4**

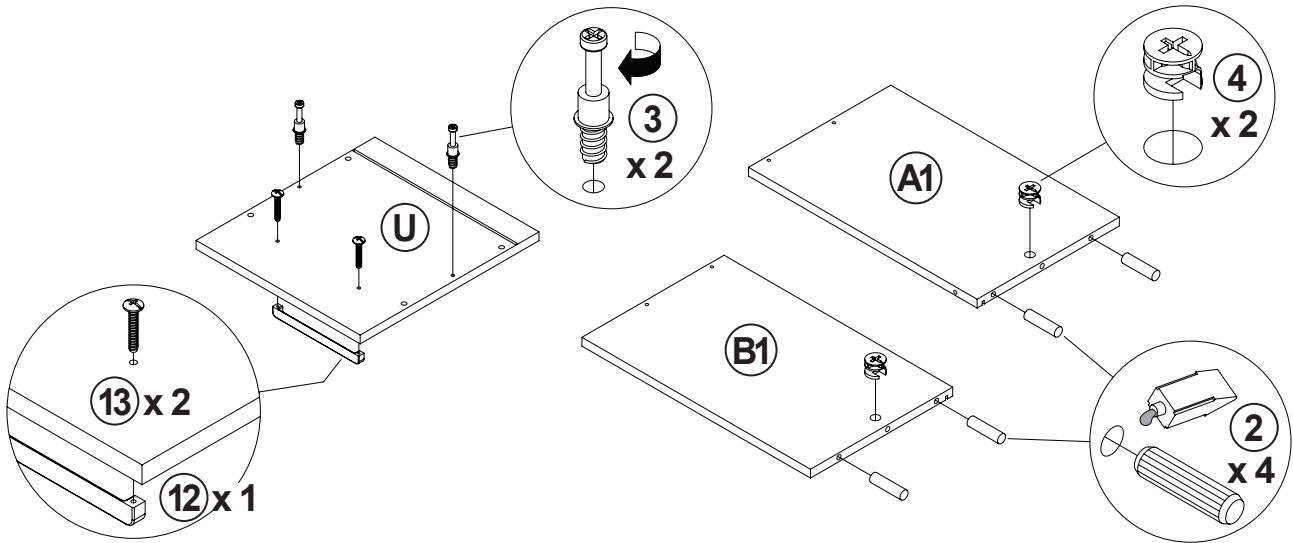


**STEP 25-5**

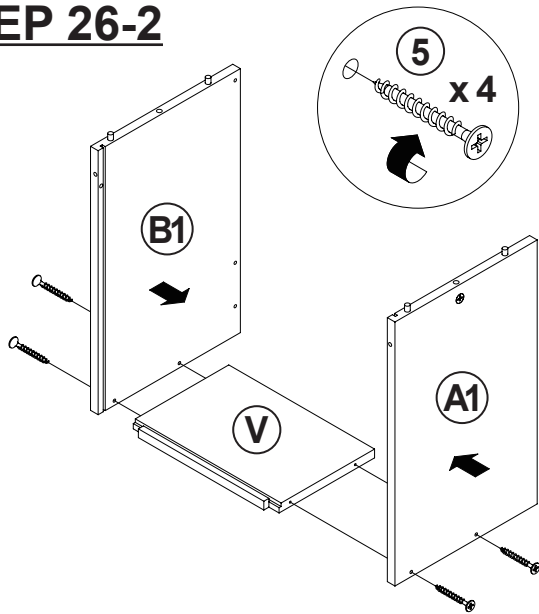


ITEM: 801573

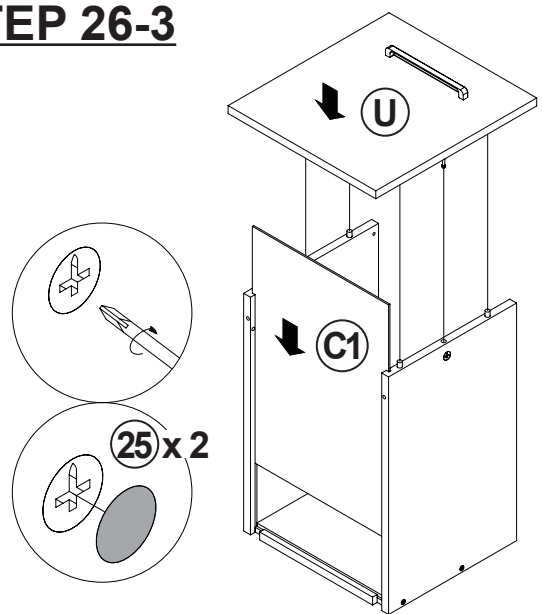
**STEP 26-1**



**STEP 26-2**

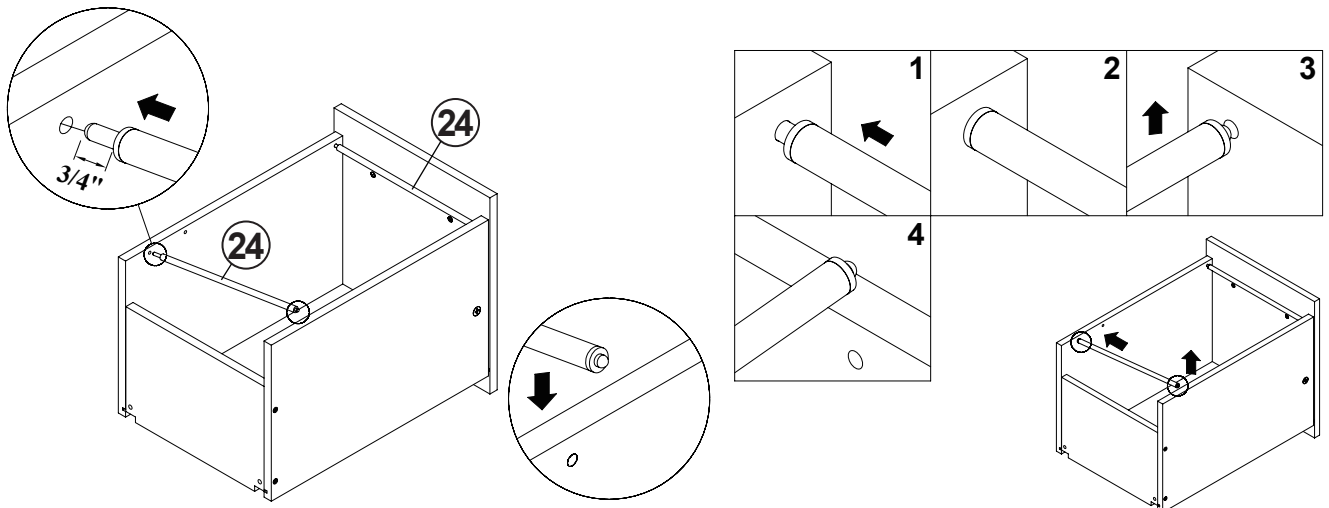


**STEP 26-3**



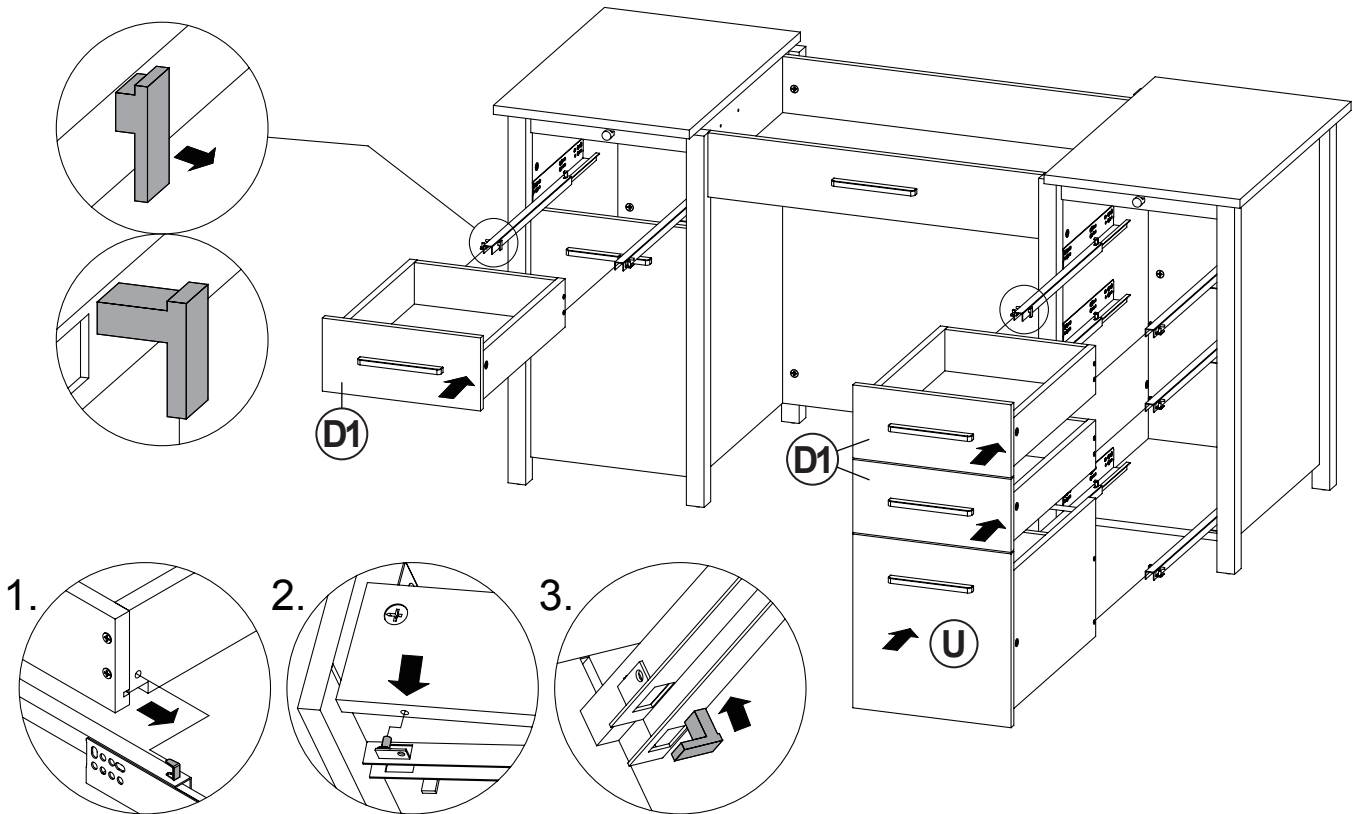
**STEP 26-4**

Insert rails in outside holes for large files.  
Insert rails in inside holes for small files.

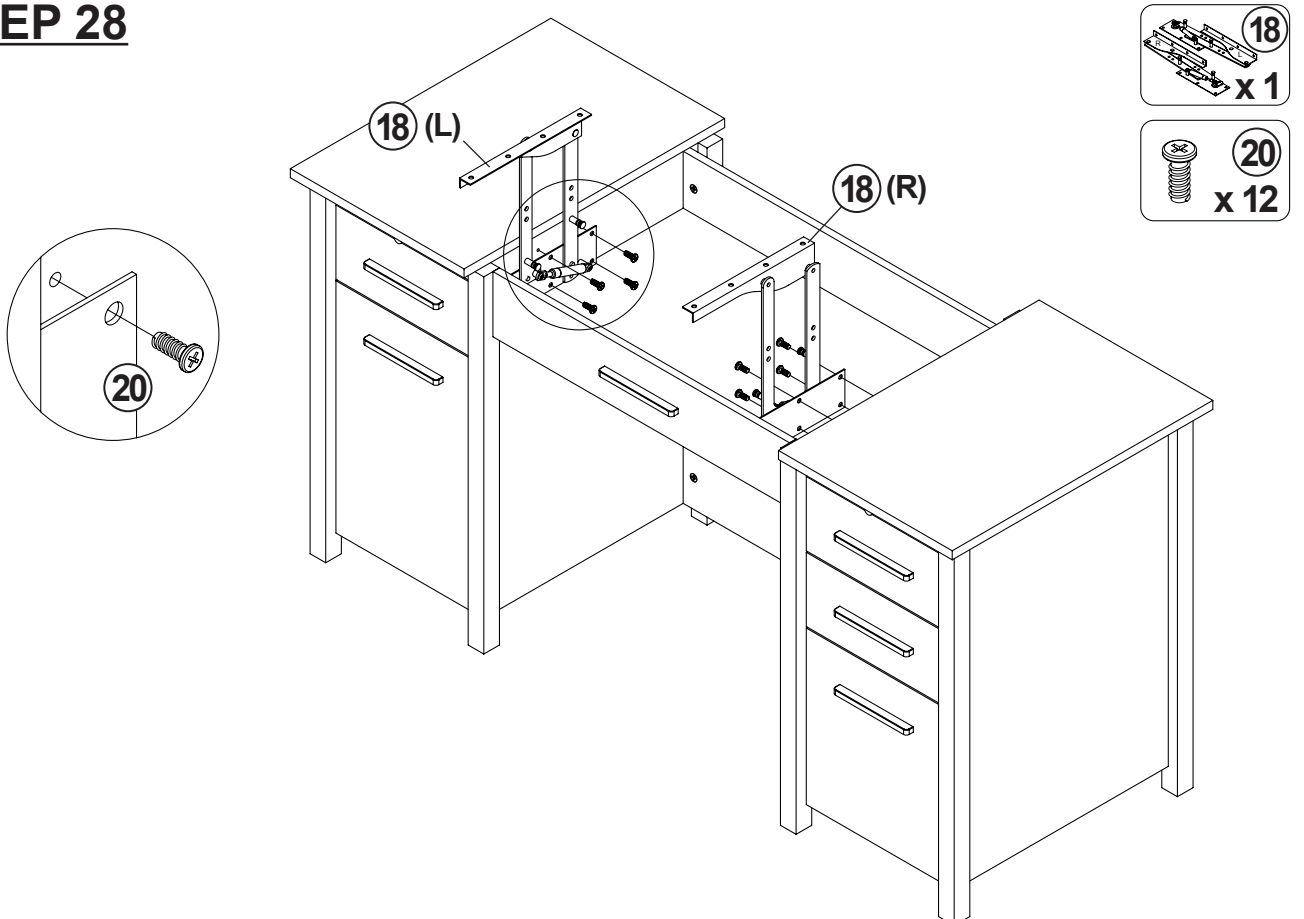


ITEM: **801573**

**STEP 27**

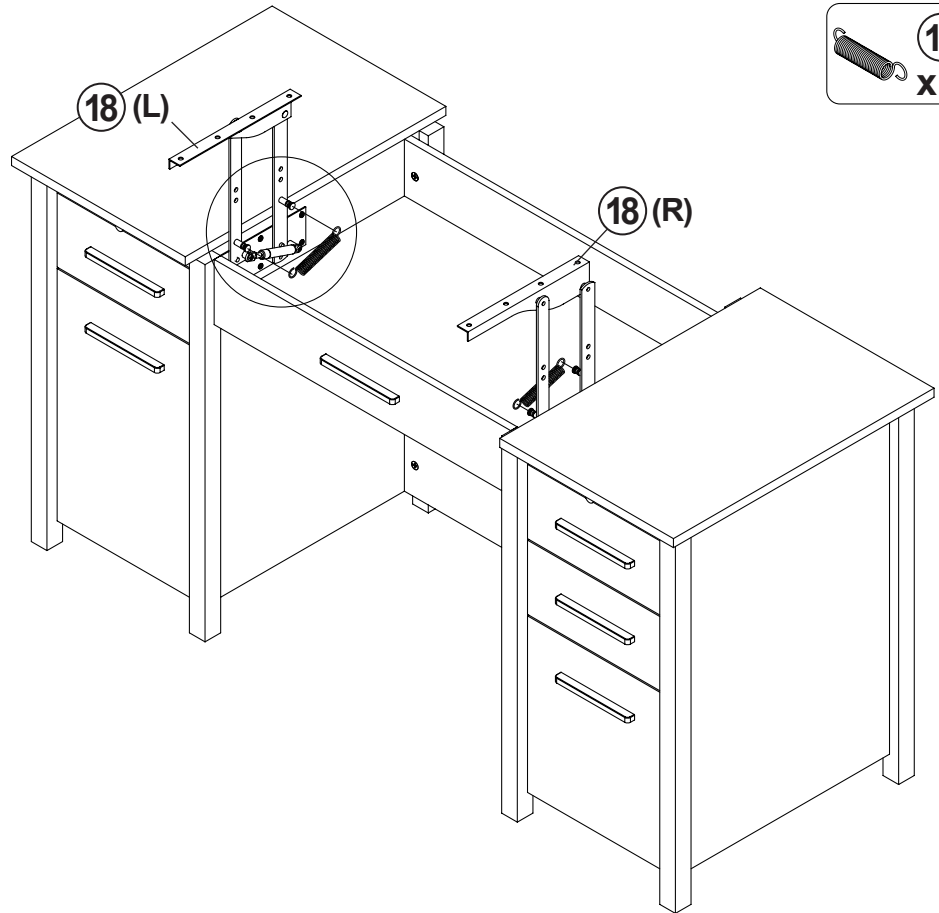
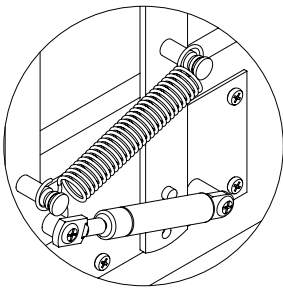
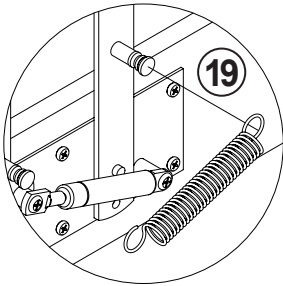
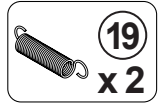


**STEP 28**

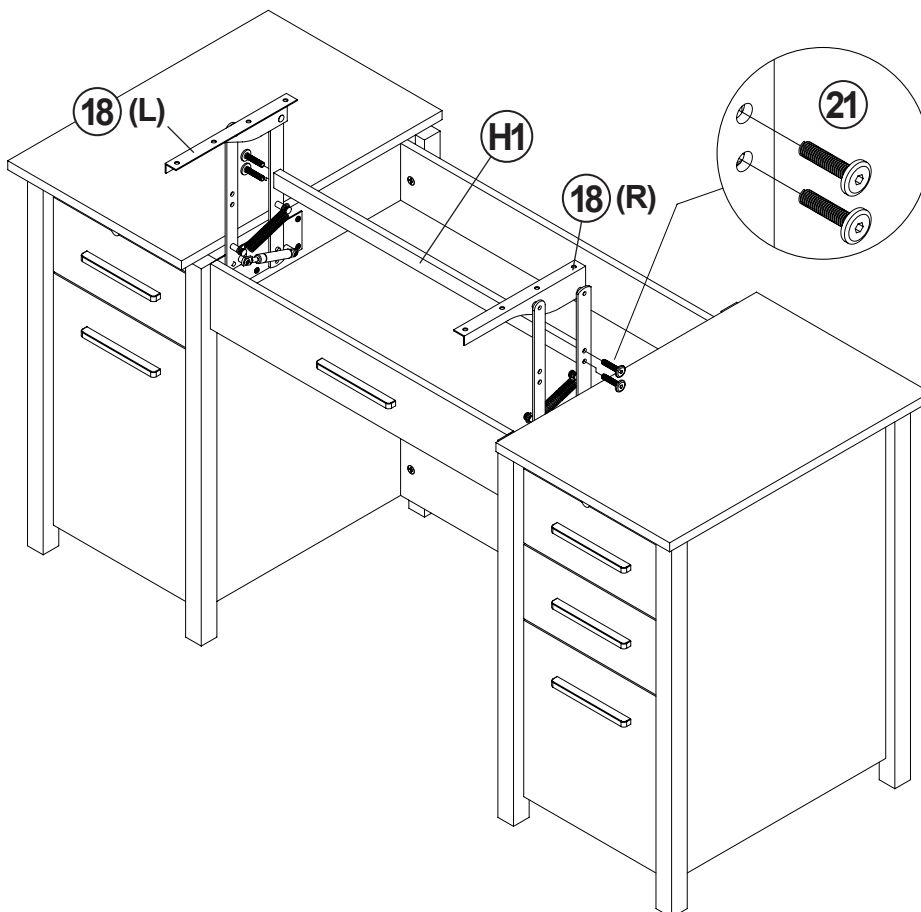
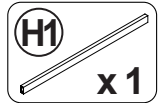
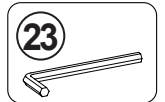


ITEM: **801573**

**STEP 29**

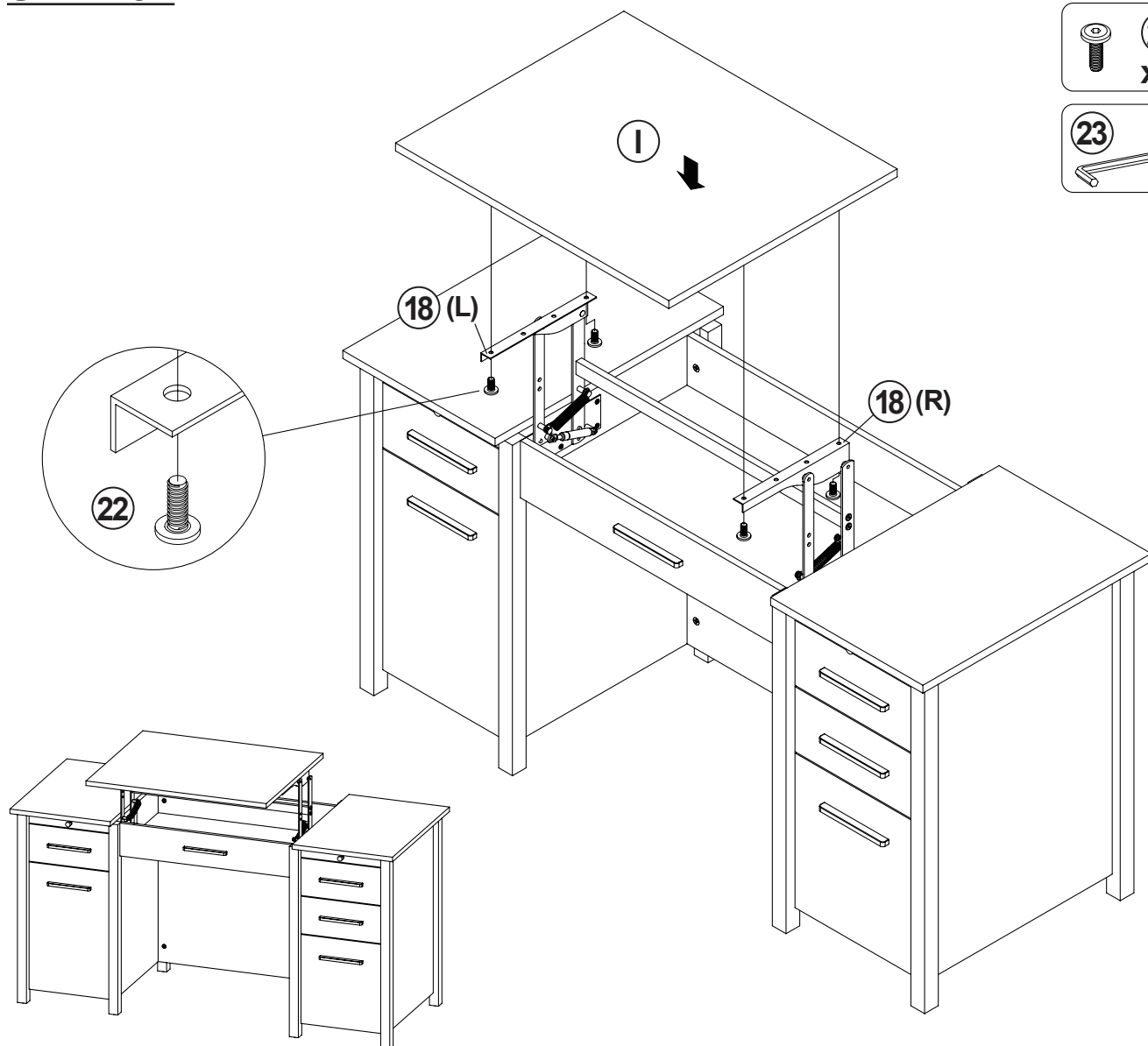
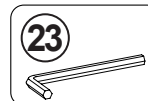
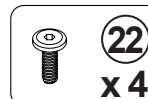


**STEP 30**



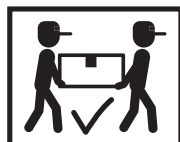
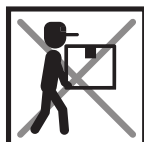
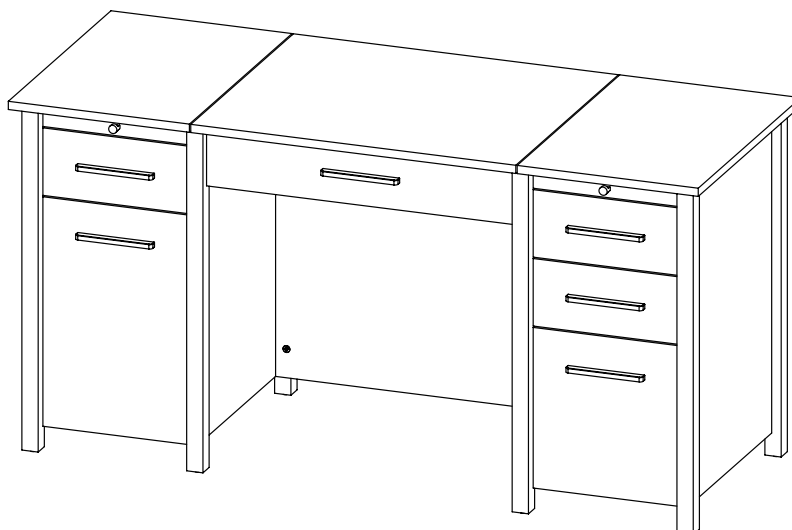
ITEM: 801573

**STEP 31**

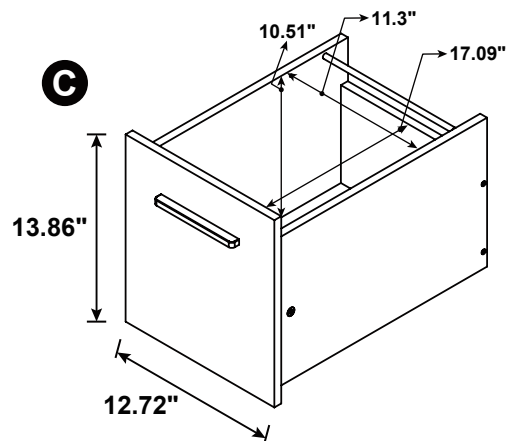
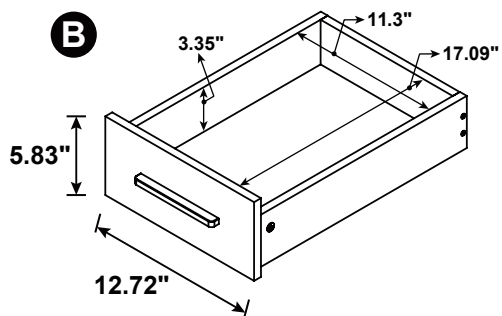
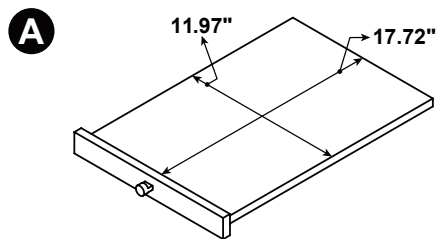
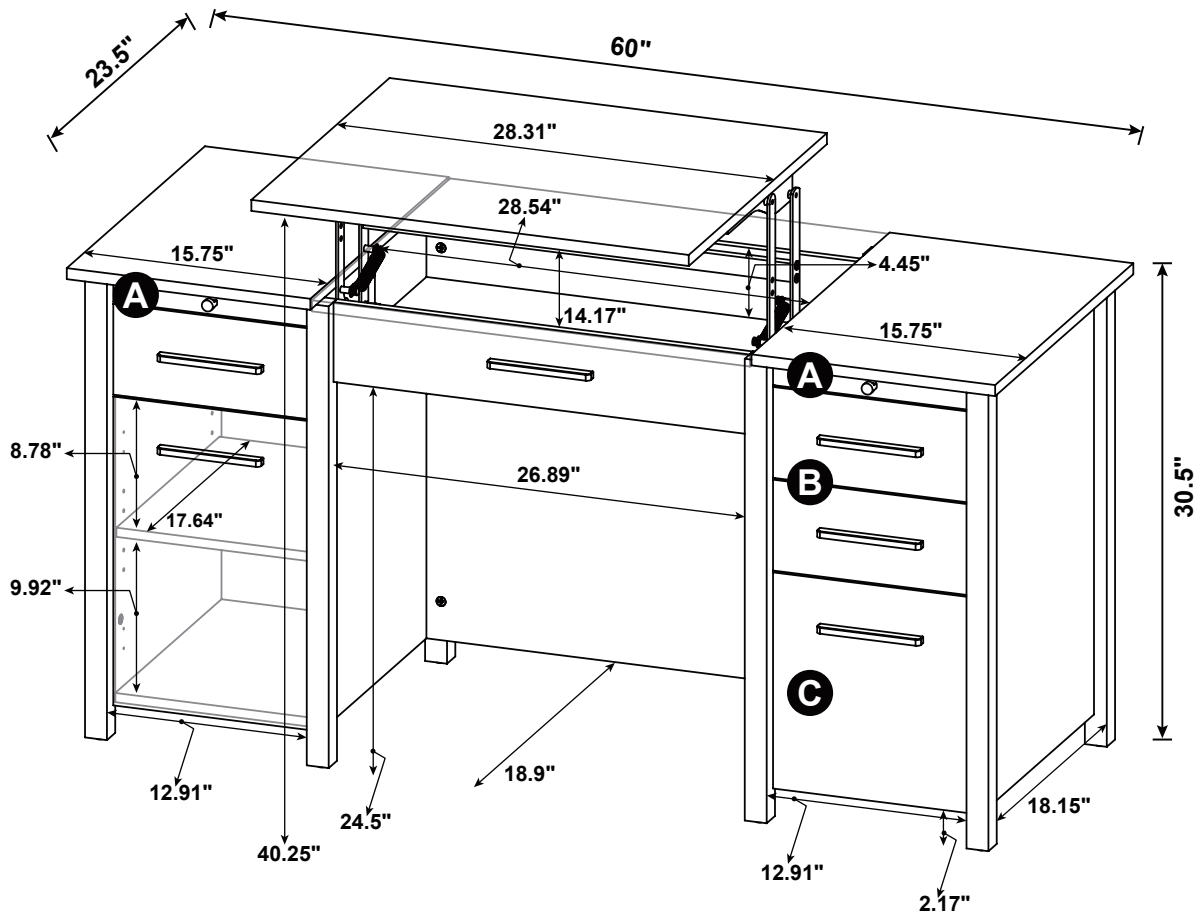


**STEP 32**

**COMPLETE**







Note : Dimension tolerance  $\pm 5\%$