

*ASSEMBLY INSTRUCTIONS*  
*COASTER FINE FURNITURE*



*Fine Furniture for every stage of life*

**802611**  
***WRITING DESK***

REVISION 0 : 11/12/2018  
REVISION 1 : 06/22/2022

ITEM:802611



# ASSEMBLY INSTRUCTIONS

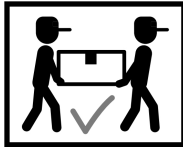
## ASSEMBLY TIPS:

1. Remove hardware from box and sort by size.
2. Please check to see that all hardware and parts are present prior to start of assembly.
3. Please follow attached instructions in the same sequence as numbered to assure fast & easy assembly.



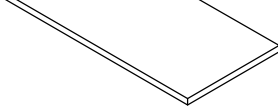
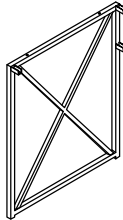
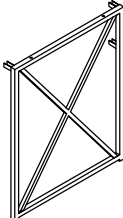
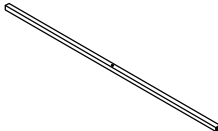
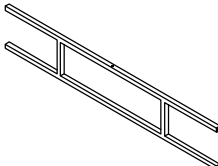
### WARNING!

1. Don't attempt to repair or modify parts that are broken or defective. Please contact the store immediately.
2. This product is for home use only and not intended for commercial establishments.



ASSEMBLY TIME 30 MINUTES

## PARTS IDENTIFICATION

A	TOP		1PC
B	LEFT FRAME		1PC
C	RIGHT FRAME		1PC
D	FRONT CROSSBAR		1PC
E	BACK FRAME		1PC

# ITEM:802611

## ASSEMBLY INSTRUCTIONS



### HARDWARE IDENTIFICATION

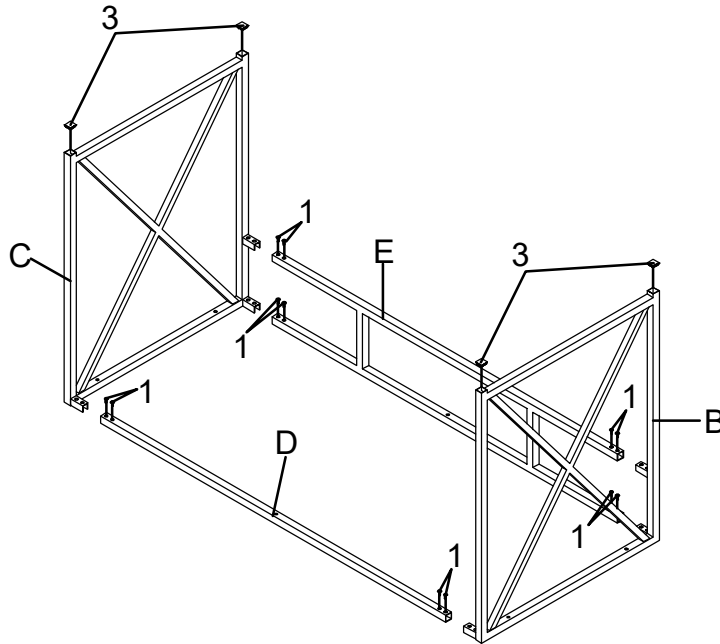
1	SHORT BOLT ( $\phi$ 1/4 x 12mm SR)		12PCS
2	LONG BOLT ( $\phi$ 1/4 x 32mm SR)		6PCS
3	CAP (20 x 20mm BLK)		4PCS
4	ALLEN WRENCH (4mm)		1PCS

ITEM:802611

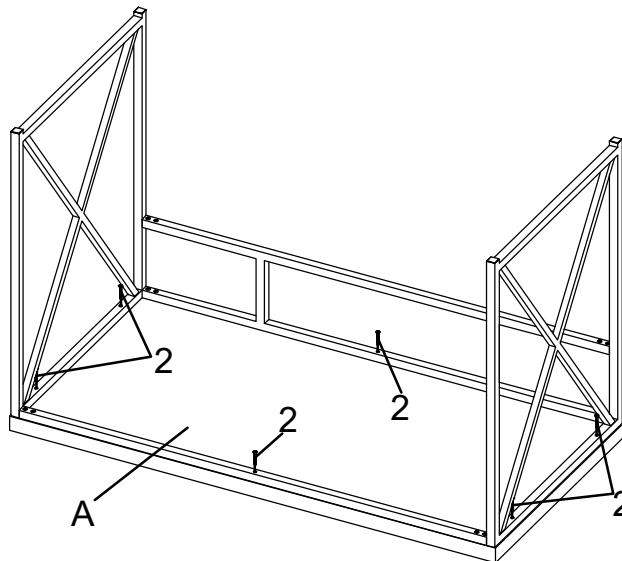


# ASSEMBLY INSTRUCTIONS

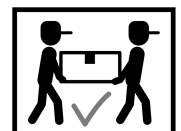
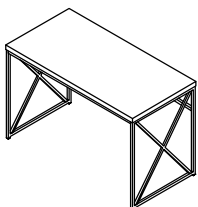
**STEP 1** Do not tighten until each step is completed or instructed.



## STEP 2



COMPLETE

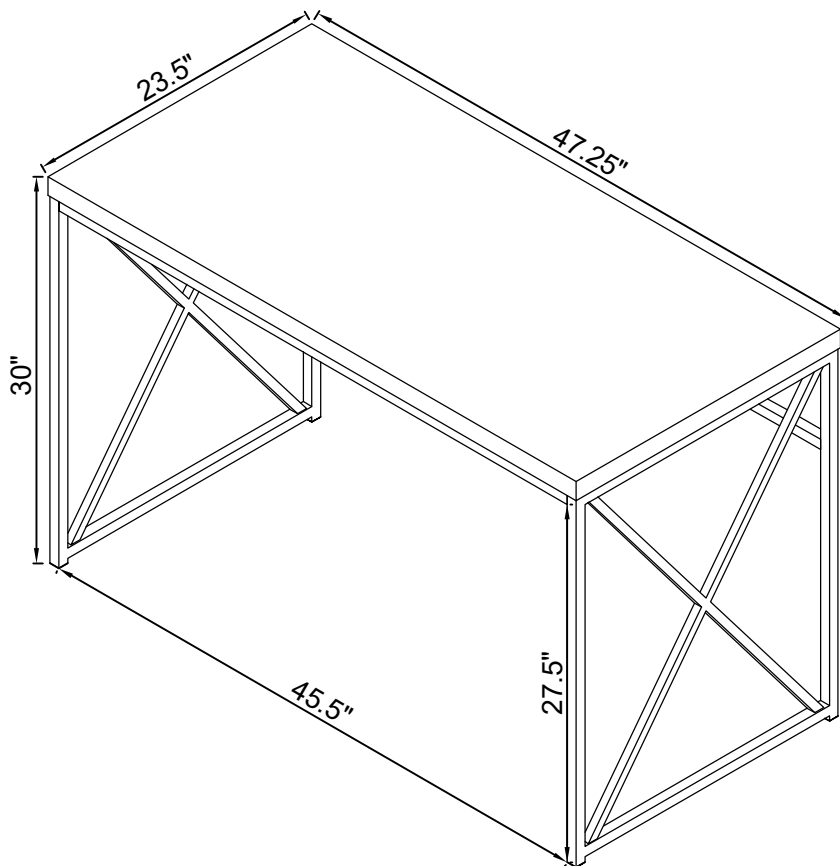


# ITEM:802611

## ASSEMBLY INSTRUCTIONS



<b>Product Size : 1200 X 597 X 762 H (MM)</b>
<b>Product Size : 47 <math>\frac{1}{4}</math>" X 23 <math>\frac{1}{2}</math>" X 30"</b>



Note : Dimension tolerance  $\pm 5\%$