

ASSEMBLY INSTRUCTIONS
COASTER FINE FURNITURE



Fine Furniture for every stage of life

182631
BAR UNIT

ITEM:182631



ASSEMBLY INSTRUCTIONS

ASSEMBLY TIPS:

1. Remove hardware from box and sort by size.
2. Please check to see that all hardware and parts are present prior to start of assembly.
3. Please follow attached instructions in the same sequence as numbered to assure fast & easy assembly.



WARNING!

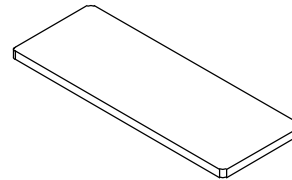
1. Don't attempt to repair or modify parts that are broken or defective. Please contact the store immediately.
2. This product is for home use only and not intended for commercial establishments.



ASSEMBLY TIME 99 MINUTES

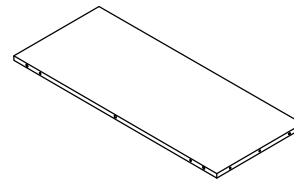
PARTS IDENTIFICATION

A DESKTOP BOARD



1PC

B TOP PANEL



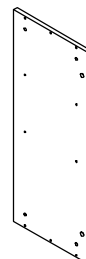
1PC

C LEFT PANEL



1PC

D RIGHT PANEL



1PC

E MIDDLE SUPPORT PANEL



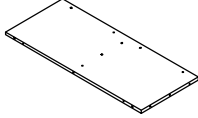
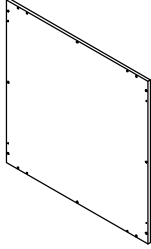


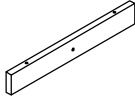
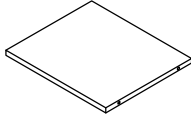
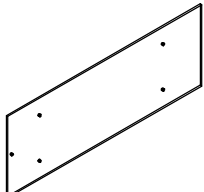
1PC

ITEM:182631

ASSEMBLY INSTRUCTIONS

PARTS IDENTIFICATION



F	BOTTOM PANEL		1PC
G	FRONT PANEL		1PC
H	LEFT OUTSIDE PANEL		1PC
I	RIGHT OUTSIDE PANEL		1PC
J	SUPPORT PANEL		2PCS
K	SHELF PANEL		4PCS
L	SIDE GLASS		2PCS

ITEM:182631

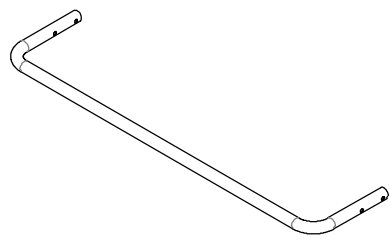


ASSEMBLY INSTRUCTIONS

PARTS IDENTIFICATION

M

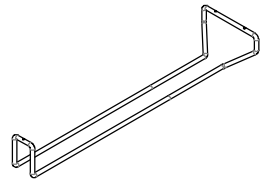
FOOTREST BAR



1PC

N

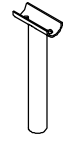
GLASS HOLDER



2PCS

O

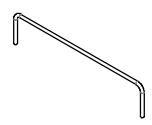
FOOTREST LEG



2PCS

P

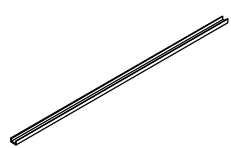
□ CROSSBAR



2PCS

Q

PLASTIC BAR



2PCS

ITEM:182631



ASSEMBLY INSTRUCTIONS

HARDWARE IDENTIFICATION

Z

1 CAM-BOLT
(38mm SR)  14PCS

2 CAM-LOCK
(ϕ 15mm SR)  14PCS

3 WOOD DOWEL
(8 x 30mm)  12PCS

4 LONG WOOD DOWEL
(8 x 50mm)  4PCS

5 LONG SCREW
(8 x 38mm)  23PCS

6 SHORT BOLT
(1/4" x 12mm)  4PCS

7 MEDIUM BOLT
(1/4" x 22mm)  2PCS

8 LONG BOLT
(1/4" x 32mm)  8PCS

9 WASHER
(ϕ 16mm)  2PCS

10 PLASTIC WASHER
(ϕ 15mm)  2PCS

11 CAP
(ϕ 25mm)  2PCS

12 LEVELER
(1/4" x 18mm)  2PCS

13 ROUND CAP
(ϕ 30mm)  2PCS


14 NUT  2PCS

15 SCREW
(3.5 x 15mm)  6PCS

16 GLUE  1PC

17 BOLT
(1/4" x 35mm)  4PCS

18 COVER  4PCS

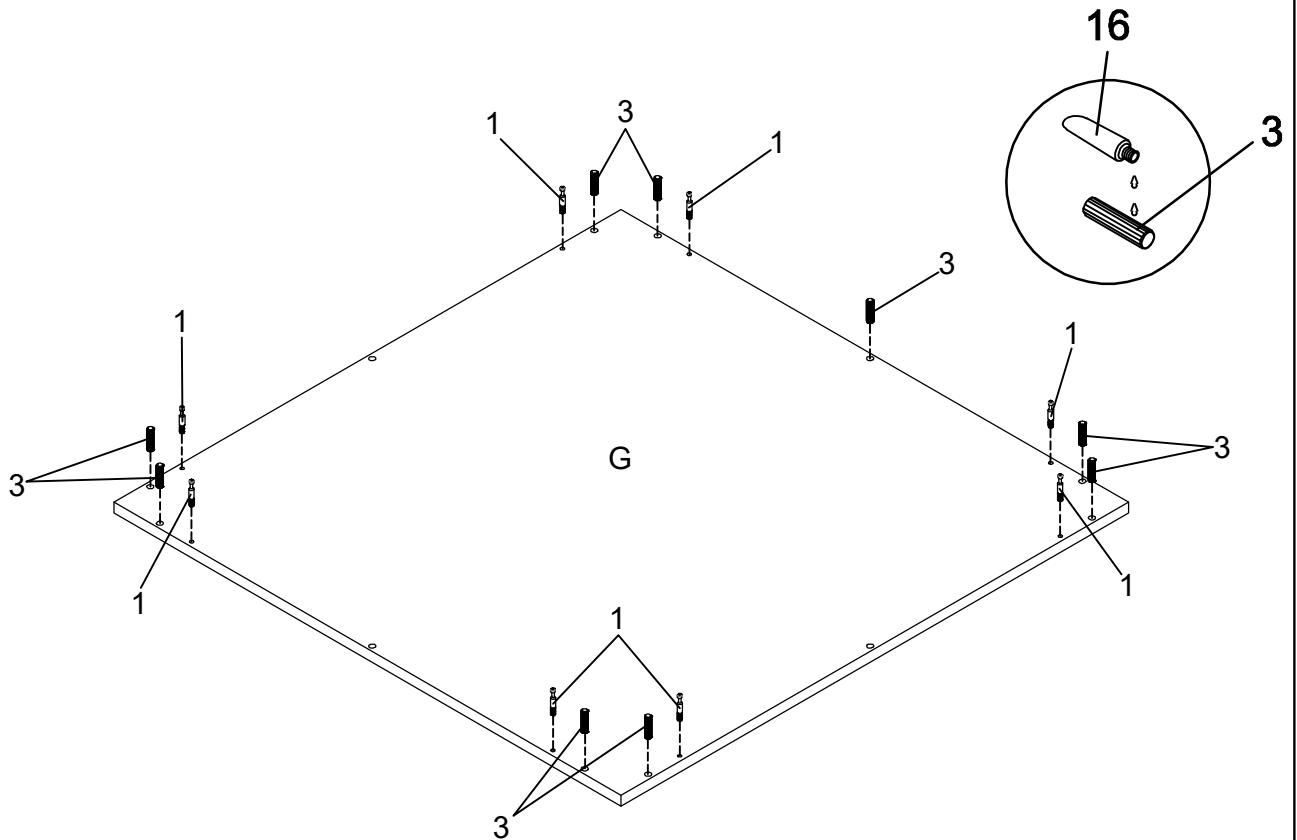
19 ALLEN WRENCH
(4mm)  1PC

ITEM:182631

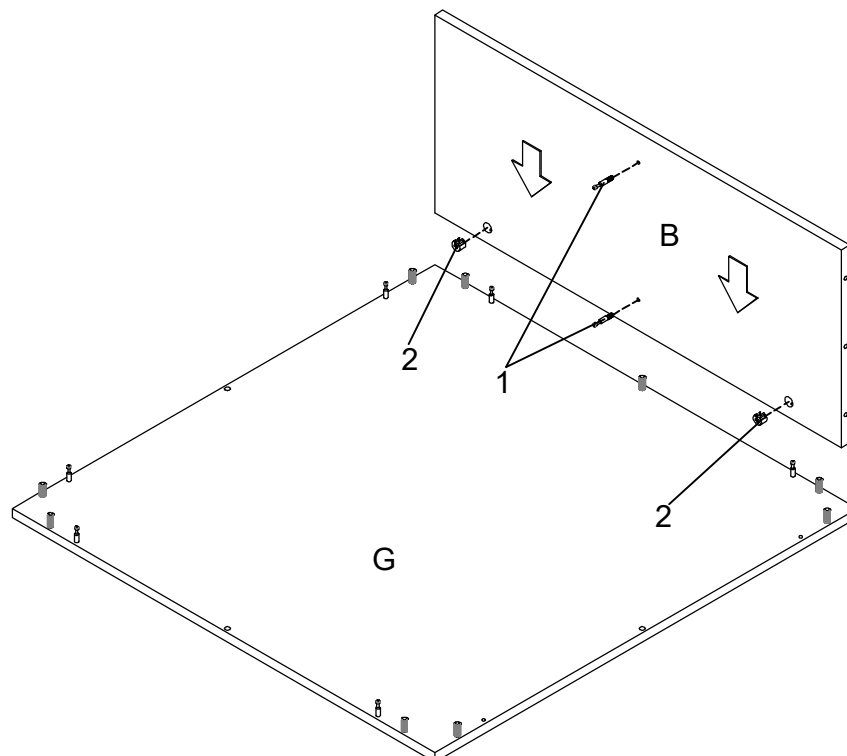


ASSEMBLY INSTRUCTIONS

STEP 1 Do not tighten until each step is completed or instructed.



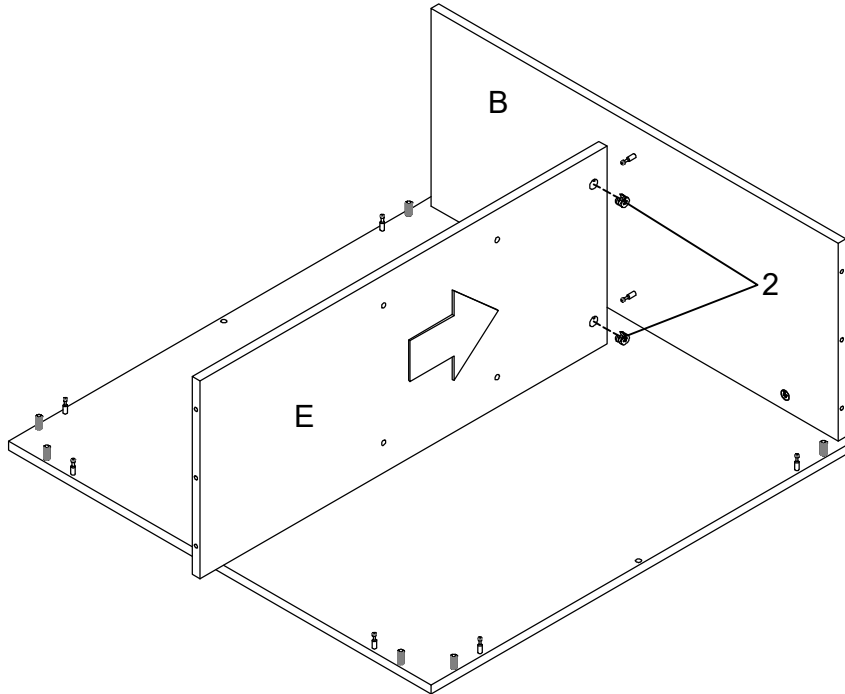
STEP 2



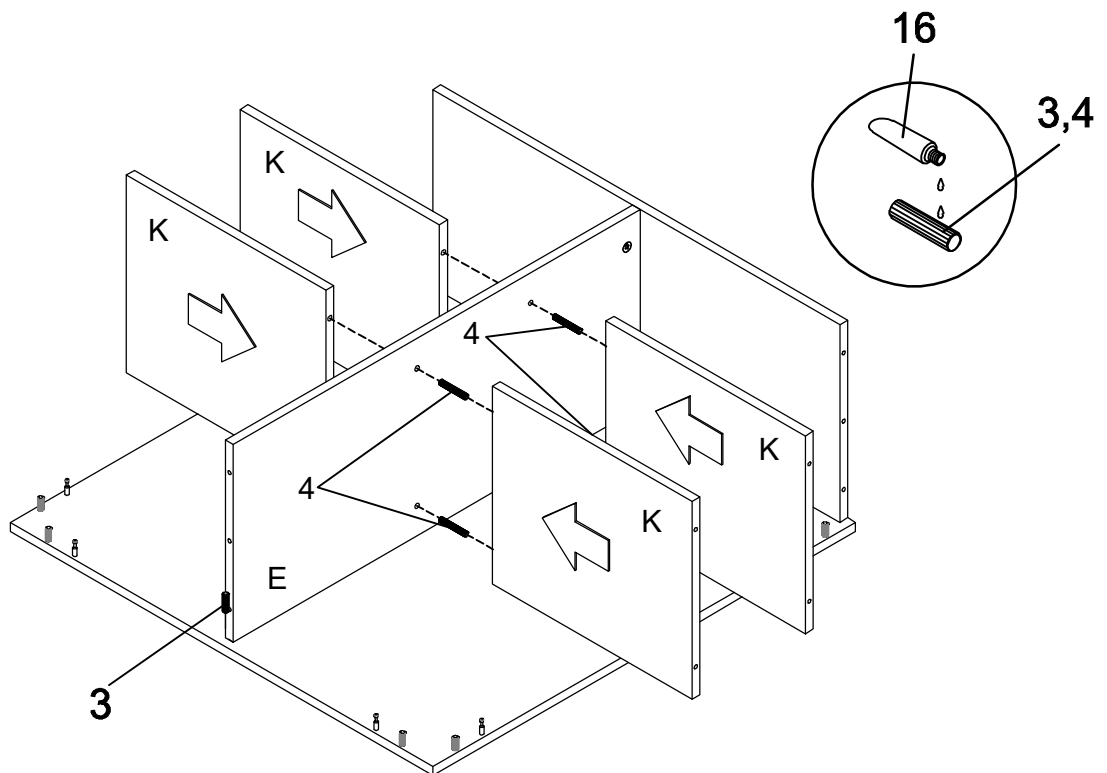
ITEM:182631

ASSEMBLY INSTRUCTIONS

STEP 3



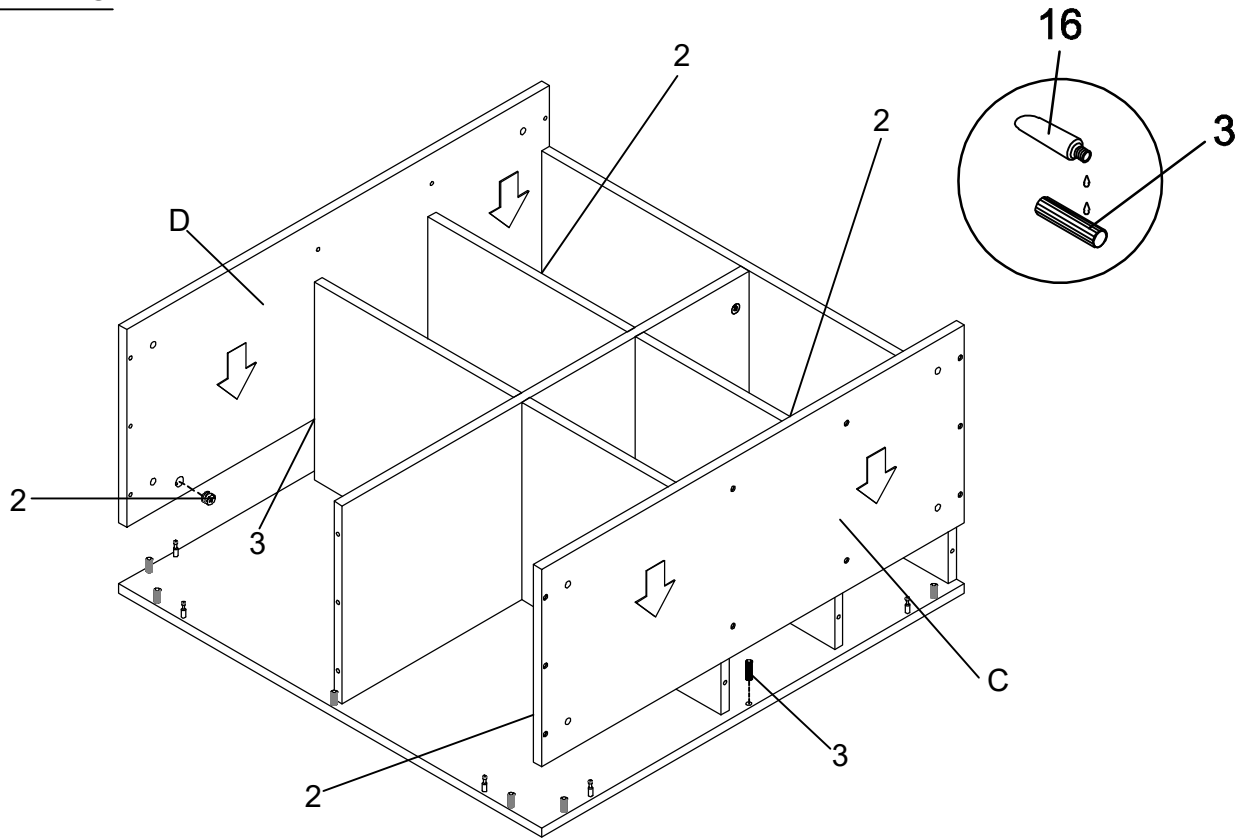
STEP 4



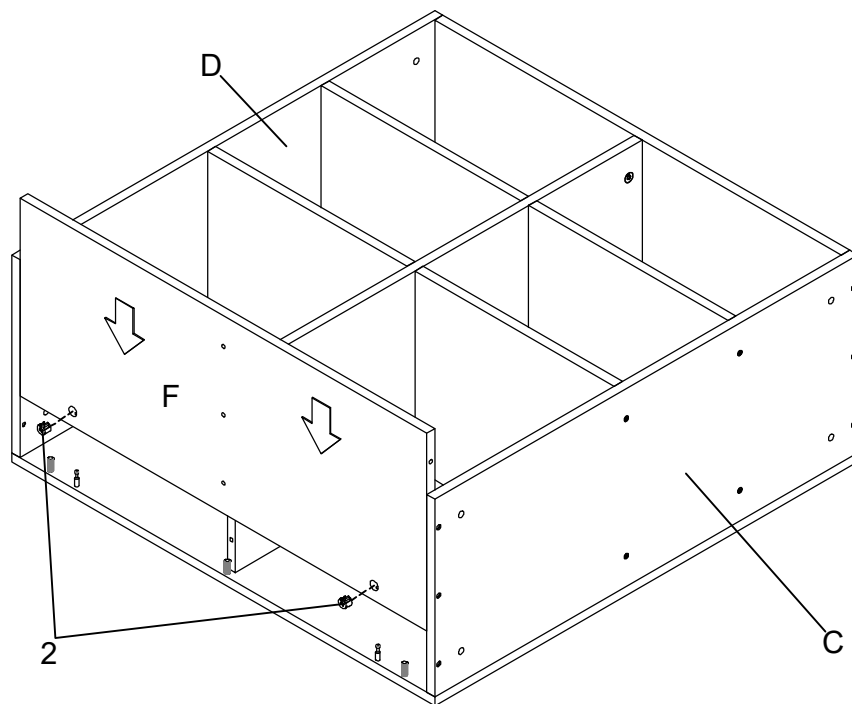
ITEM:182631

ASSEMBLY INSTRUCTIONS

STEP 5



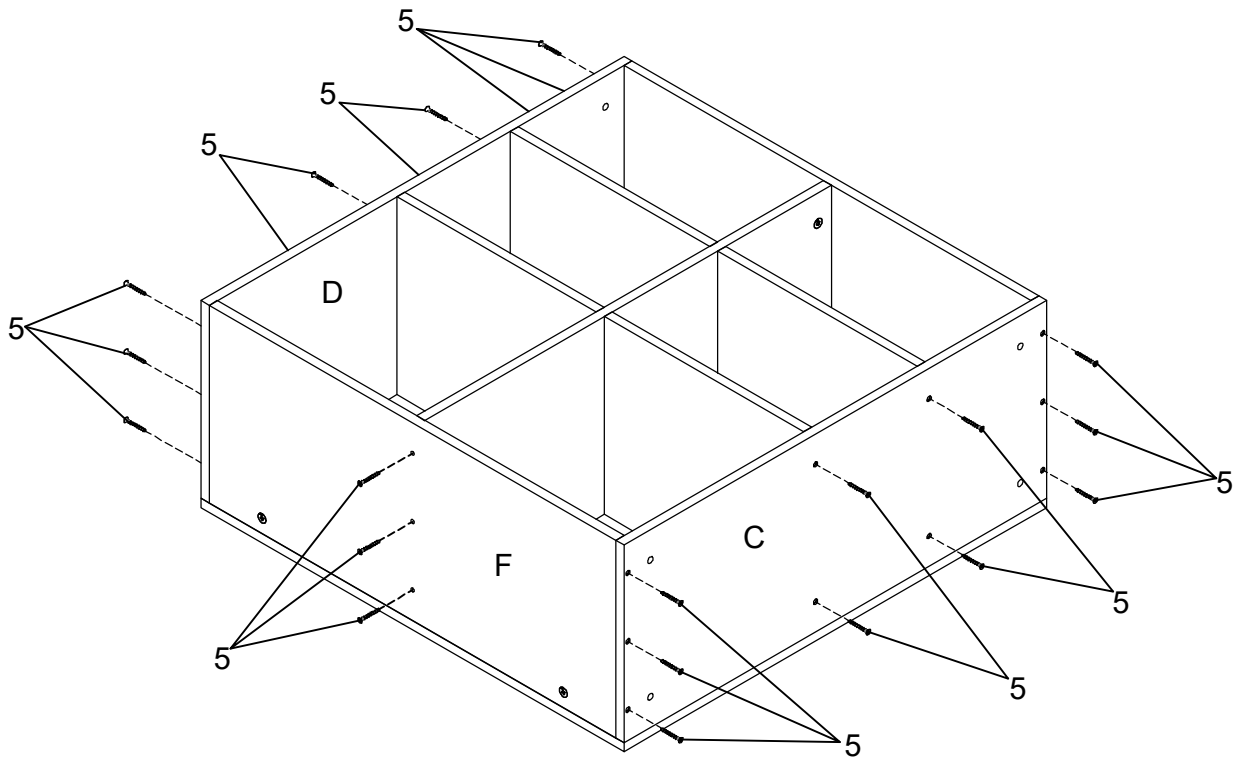
STEP 6



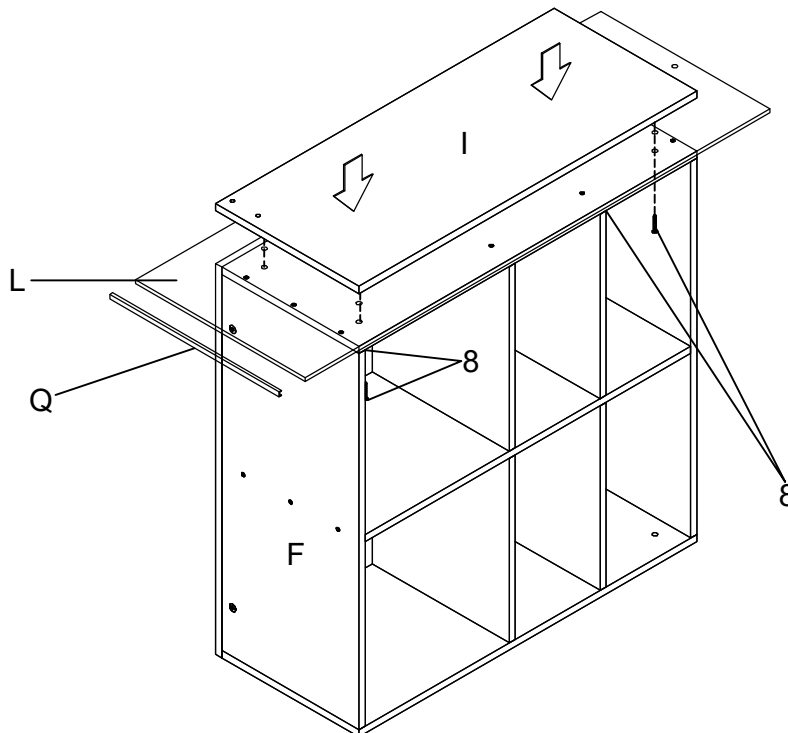
ITEM:182631

ASSEMBLY INSTRUCTIONS

STEP 7



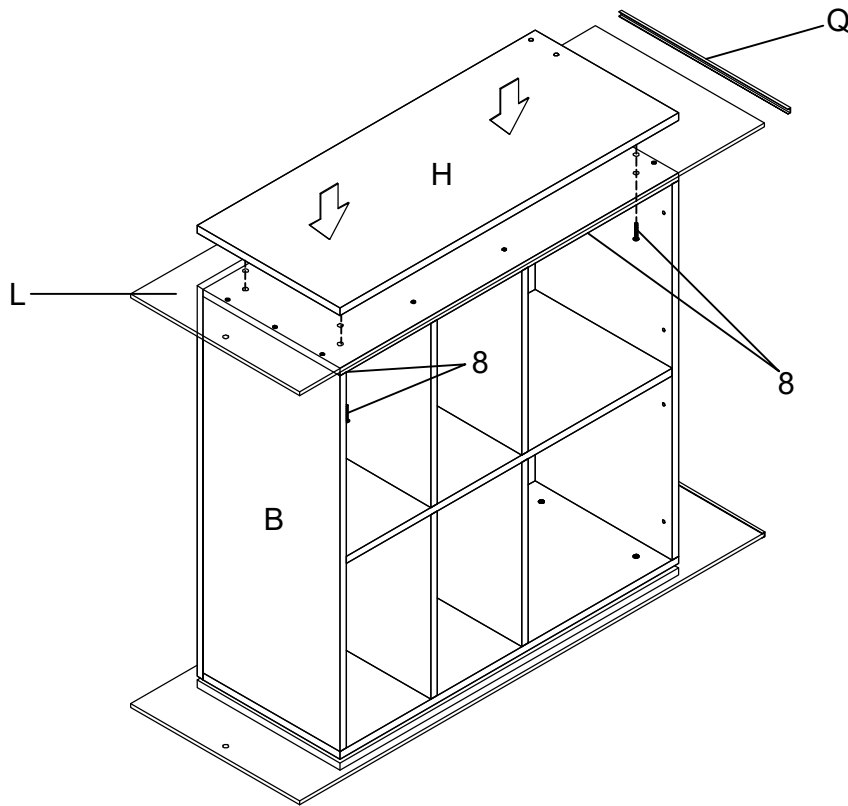
STEP 8



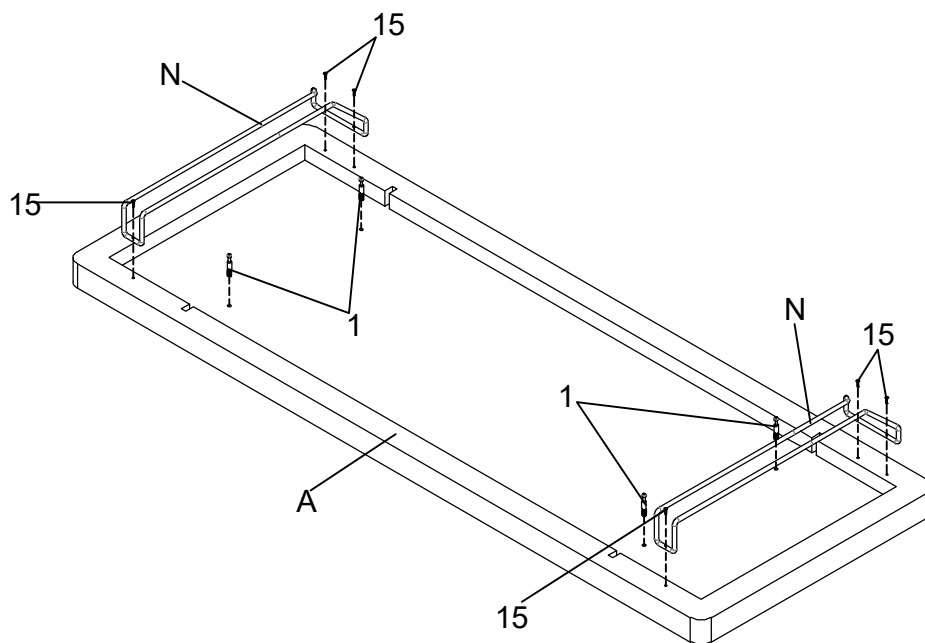
ITEM:182631

ASSEMBLY INSTRUCTIONS

STEP 9



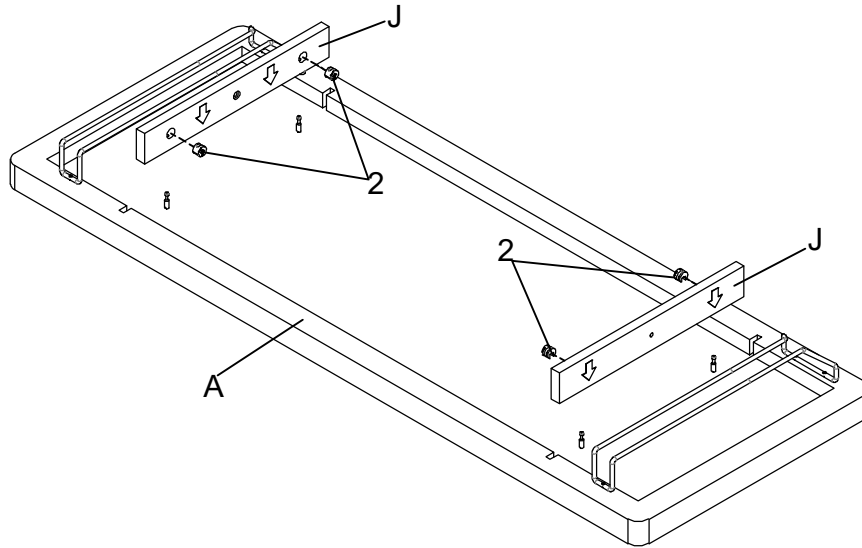
STEP 10



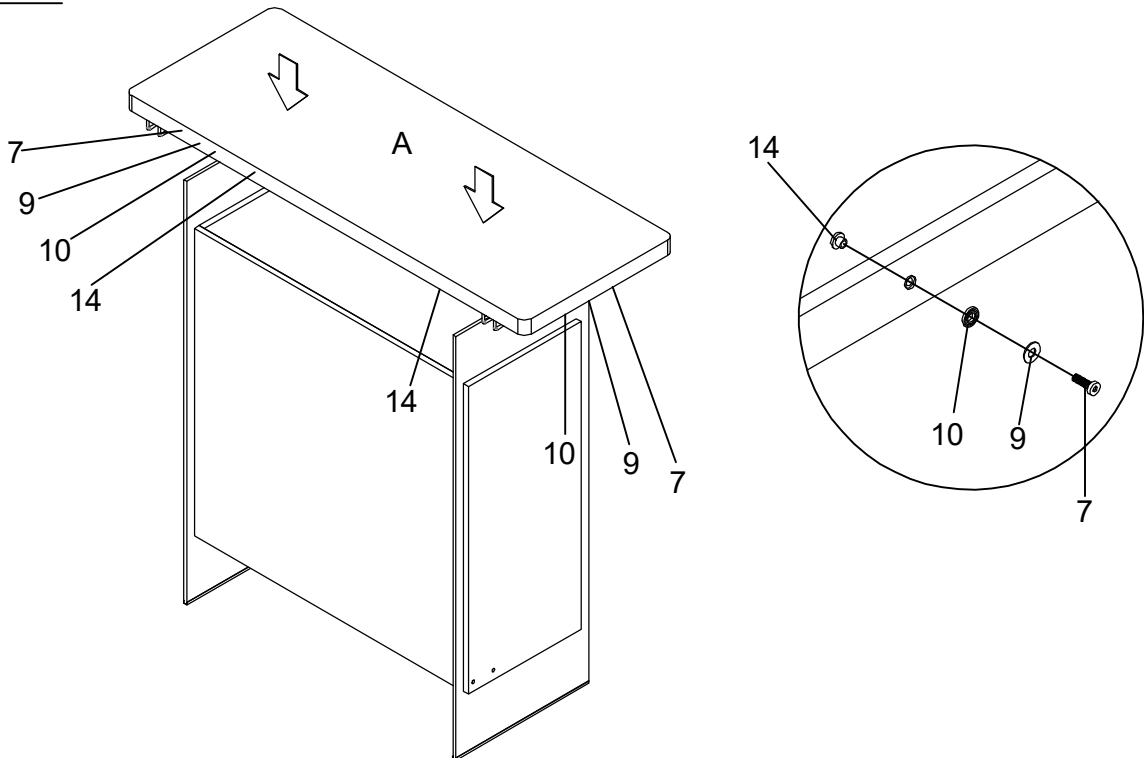
ITEM:182631

ASSEMBLY INSTRUCTIONS

STEP 11



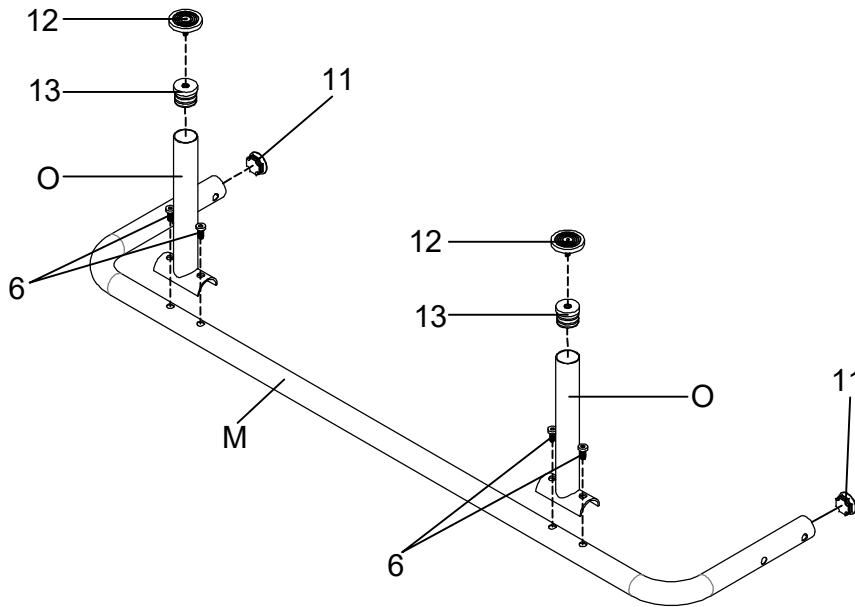
STEP 12



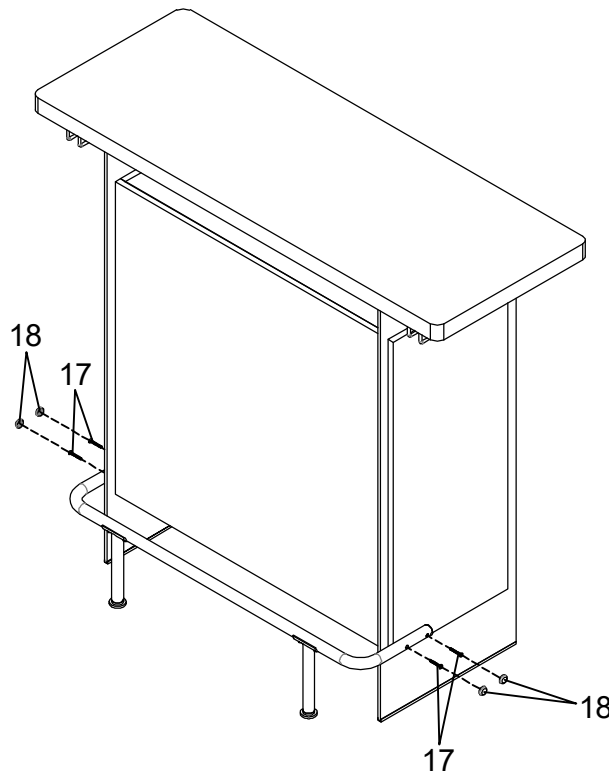
ITEM:182631

ASSEMBLY INSTRUCTIONS

STEP 13



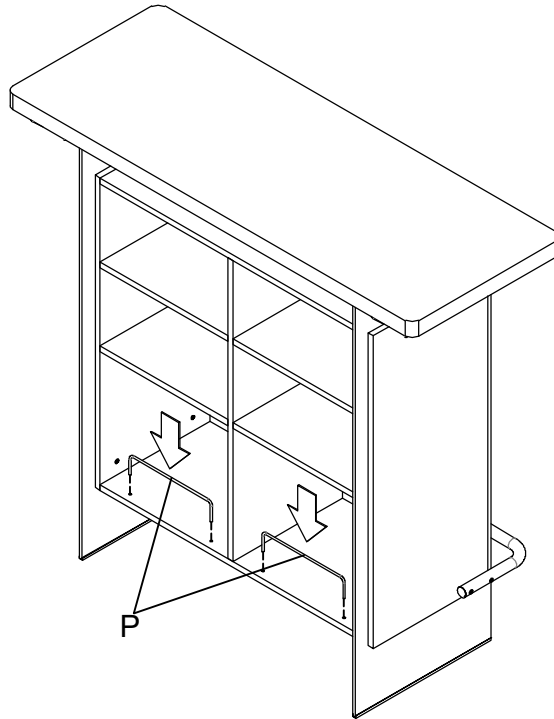
STEP 14



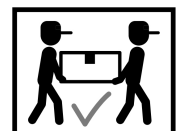
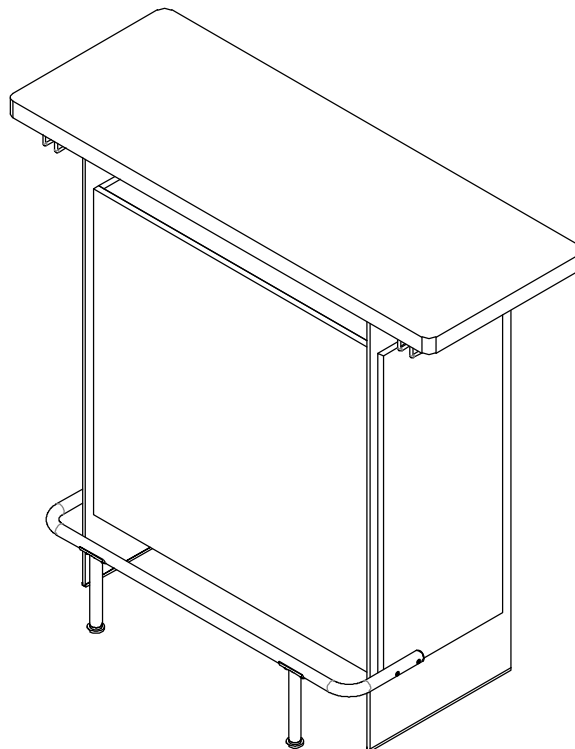
ITEM:182631

ASSEMBLY INSTRUCTIONS

STEP 15



STEP 16
COMPLETE

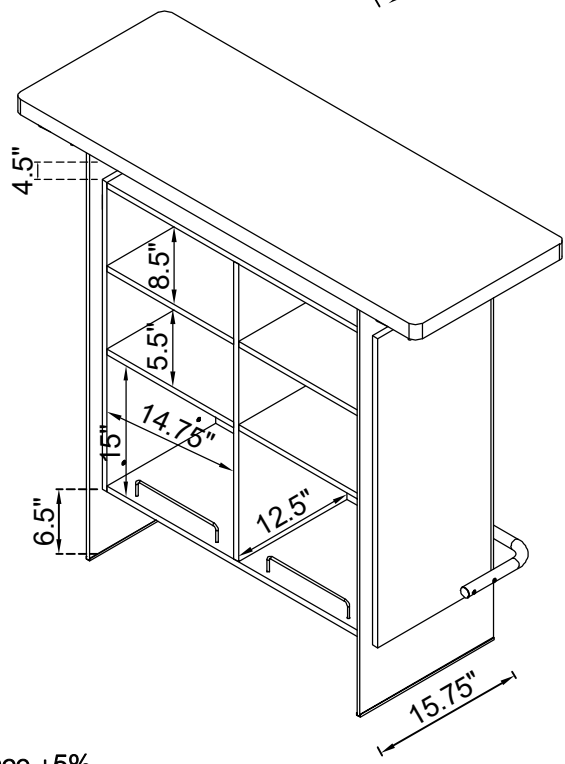
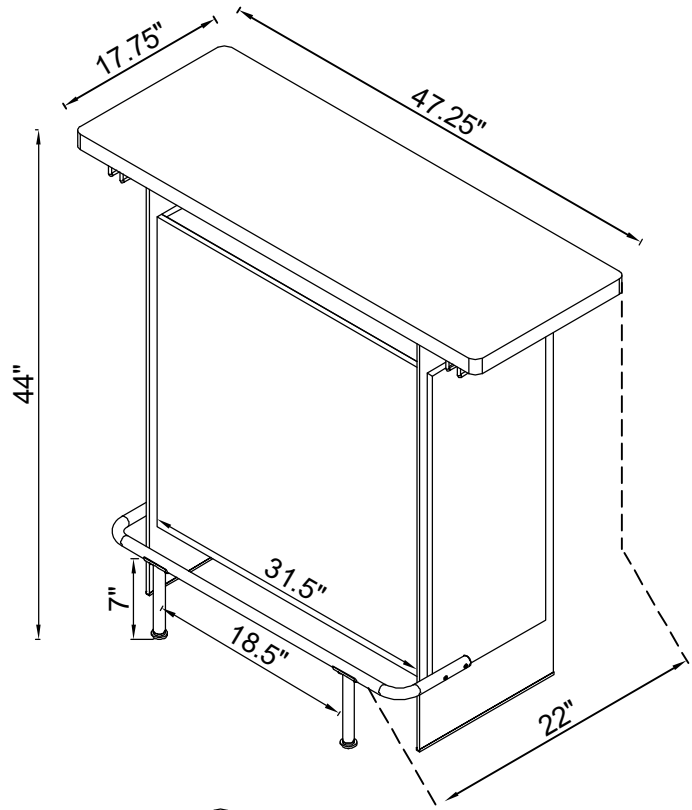


ITEM:182631

ASSEMBLY INSTRUCTIONS



Product Size : 1200 X 560 X 1120 H (MM)
Product Size : 47.25" X 22" X 44"



Note : Dimension tolerance $\pm 5\%$