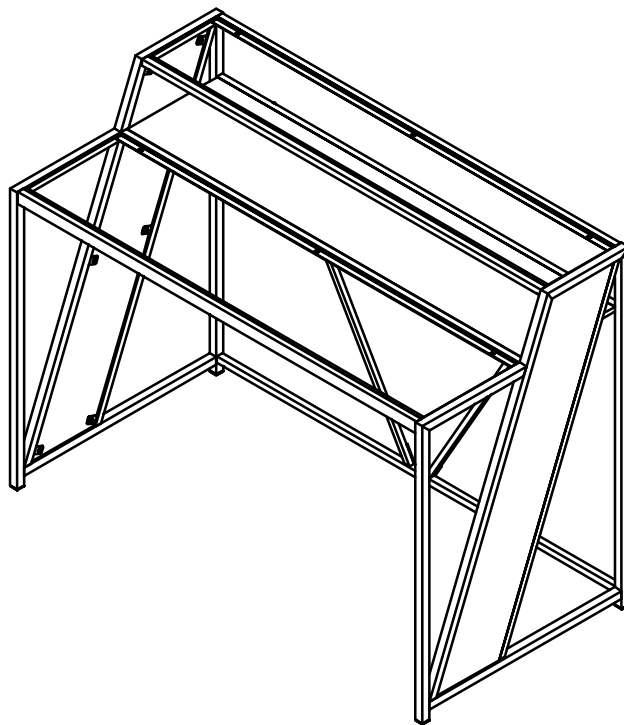


ASSEMBLY INSTRUCTIONS
COASTER FINE FURNITURE



Fine Furniture for every stage of life

805541
WRITING DESK

ITEM: 805541



ASSEMBLY INSTRUCTIONS

ASSEMBLY TIPS:

1. Remove hardware from box and sort by size.
2. Please check to see that all hardware and parts are present prior to start of assembly.
3. Please follow attached instructions in the same sequence as numbered to assure fast & easy assembly.



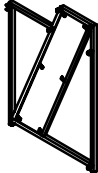
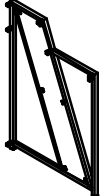
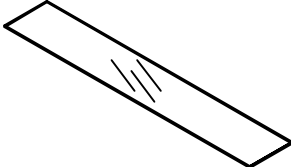
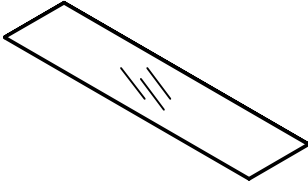
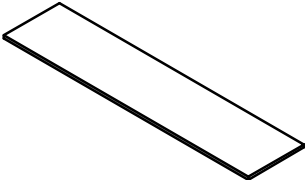

WARNING!

1. Don't attempt to repair or modify parts that are broken or defective. Please contact the store immediately.
2. This product is for home use only and not intended for commercial establishments.



ASSEMBLY TIME 60 MINUTES

PARTS IDENTIFICATION

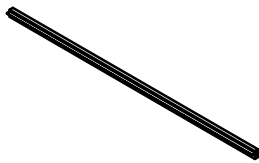

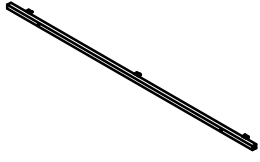
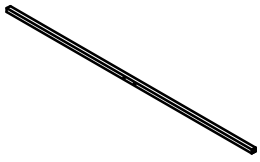


A	LEFT FRAME		1PC
B	RIGHT FRAME		1PC
C	SHELF GLASS		1PC
D	TOP GLASS		1PC
E	TOP PANEL		1PC
F	SHELF CROSSBAR		2PCS

ITEM: 805541

ASSEMBLY INSTRUCTIONS

PARTS IDENTIFICATION



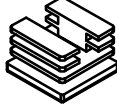




G	TOP CROSSBAR		1PC
H	TOP MIDDLE CROSSBAR		1PC
I	TOP BACK CROSSBAR		1PC
J	BACK BOTTOM CROSSBAR		1PC
K	RIGHT SUPPORT CROSSBAR		1PC
L	LEFT SUPPORT CROSSBAR		1PC

ITEM: 805541

ASSEMBLY INSTRUCTIONS

HARDWARE IDENTIFICATION

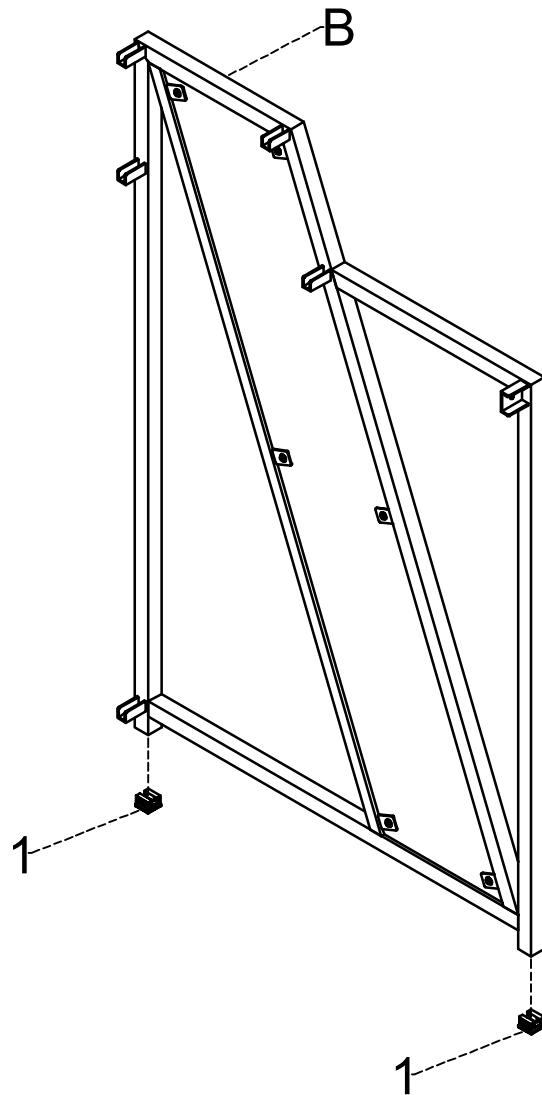
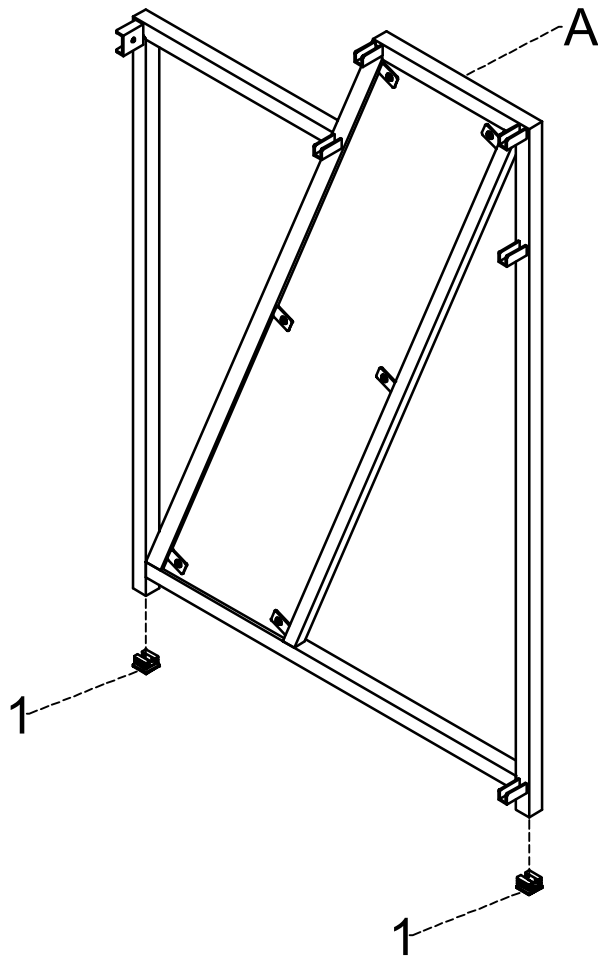


1	CAP (20 x 20 mm BLK)		4PCS
2	SUCTION CUP (ϕ 10 x 2mm)		12PCS
3	SHORT BOLT (1/4" x 12mm SR)		16PCS
4	SCREW (ϕ 4 x 12mm SR)		6PCS
5	ALLEN WRENCH (4mm)		1PC

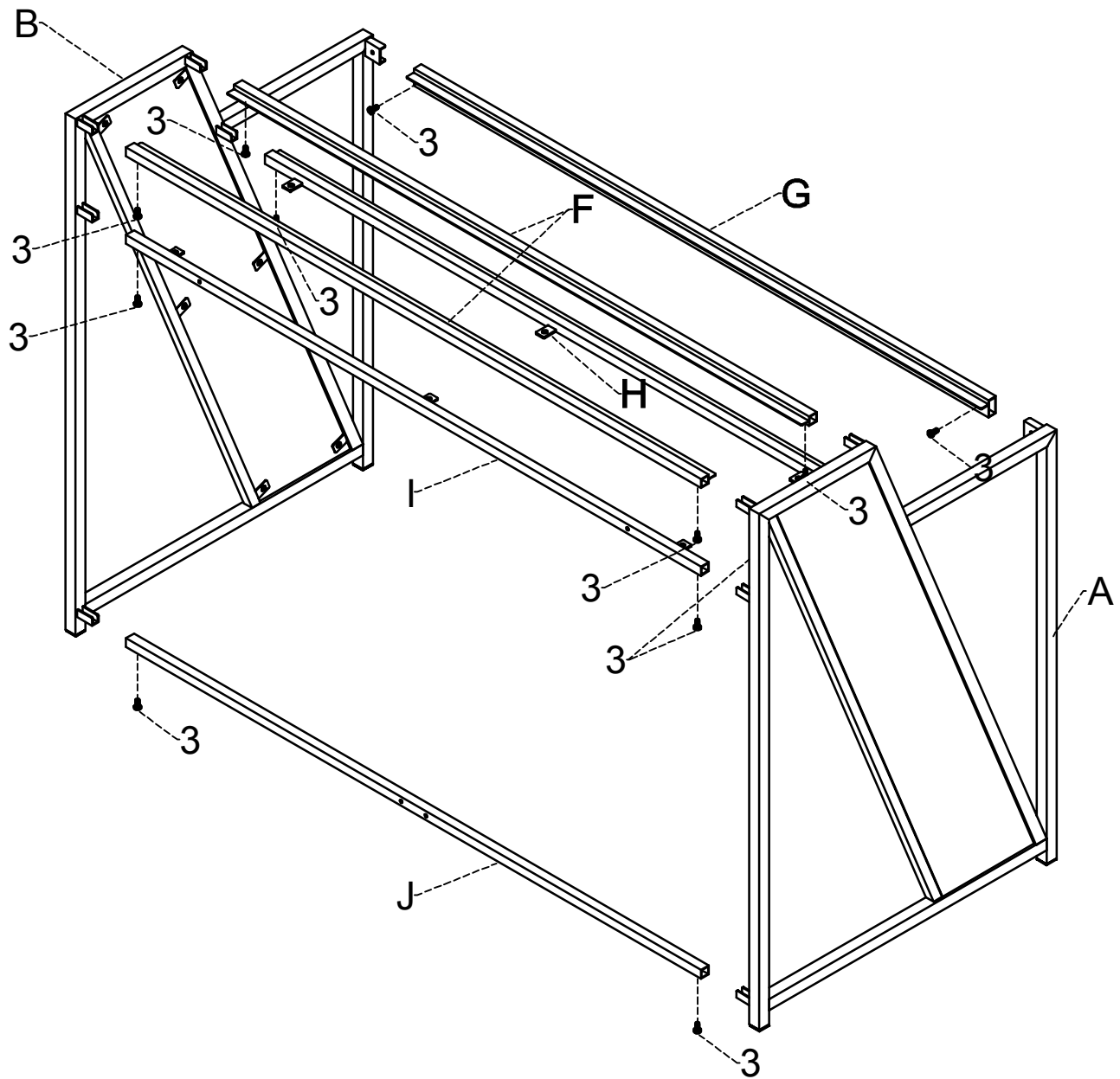
ITEM: 805541

ASSEMBLY INSTRUCTIONS

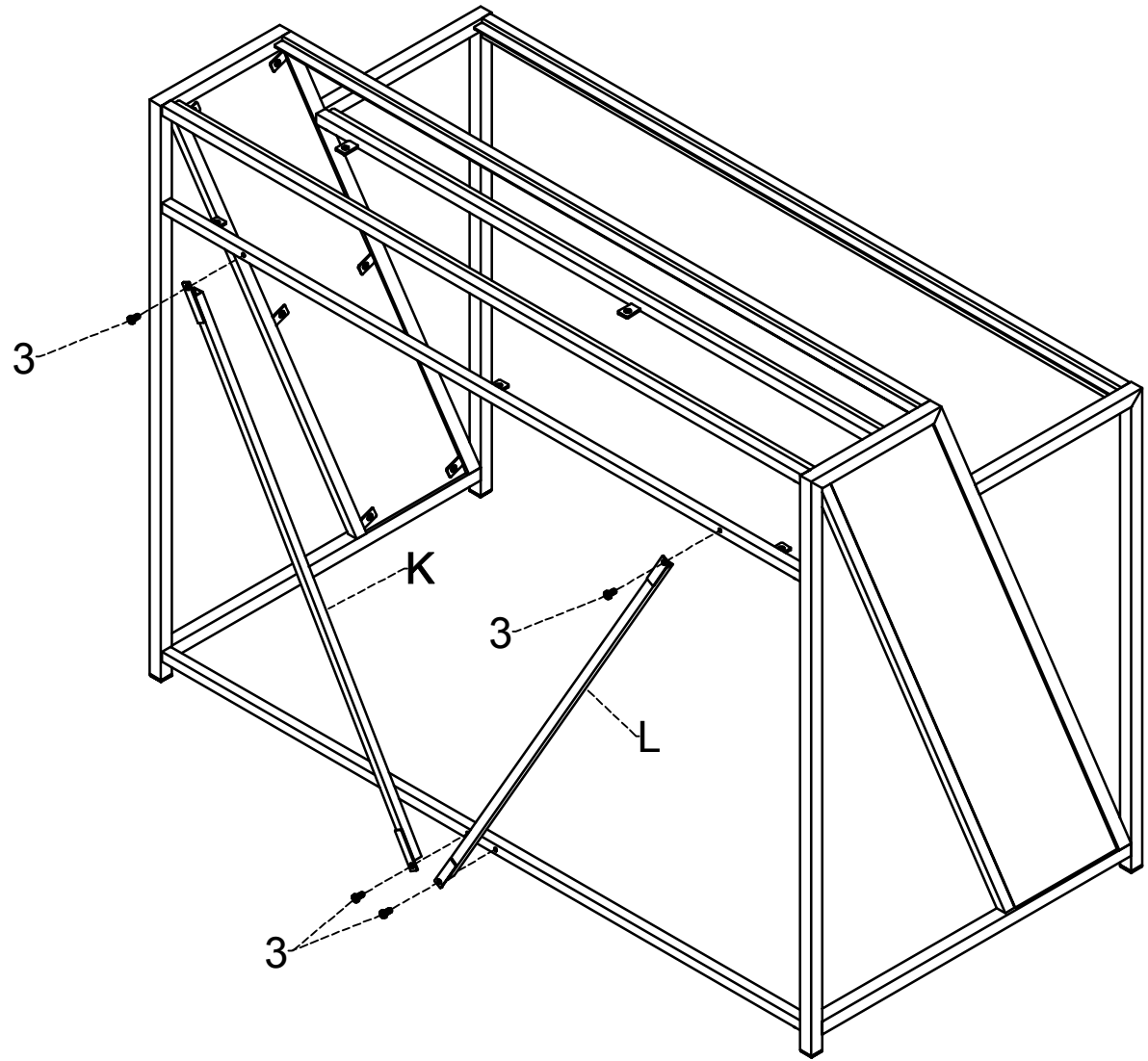
STEP 1 Do not tighten until each step is completed or instructed.



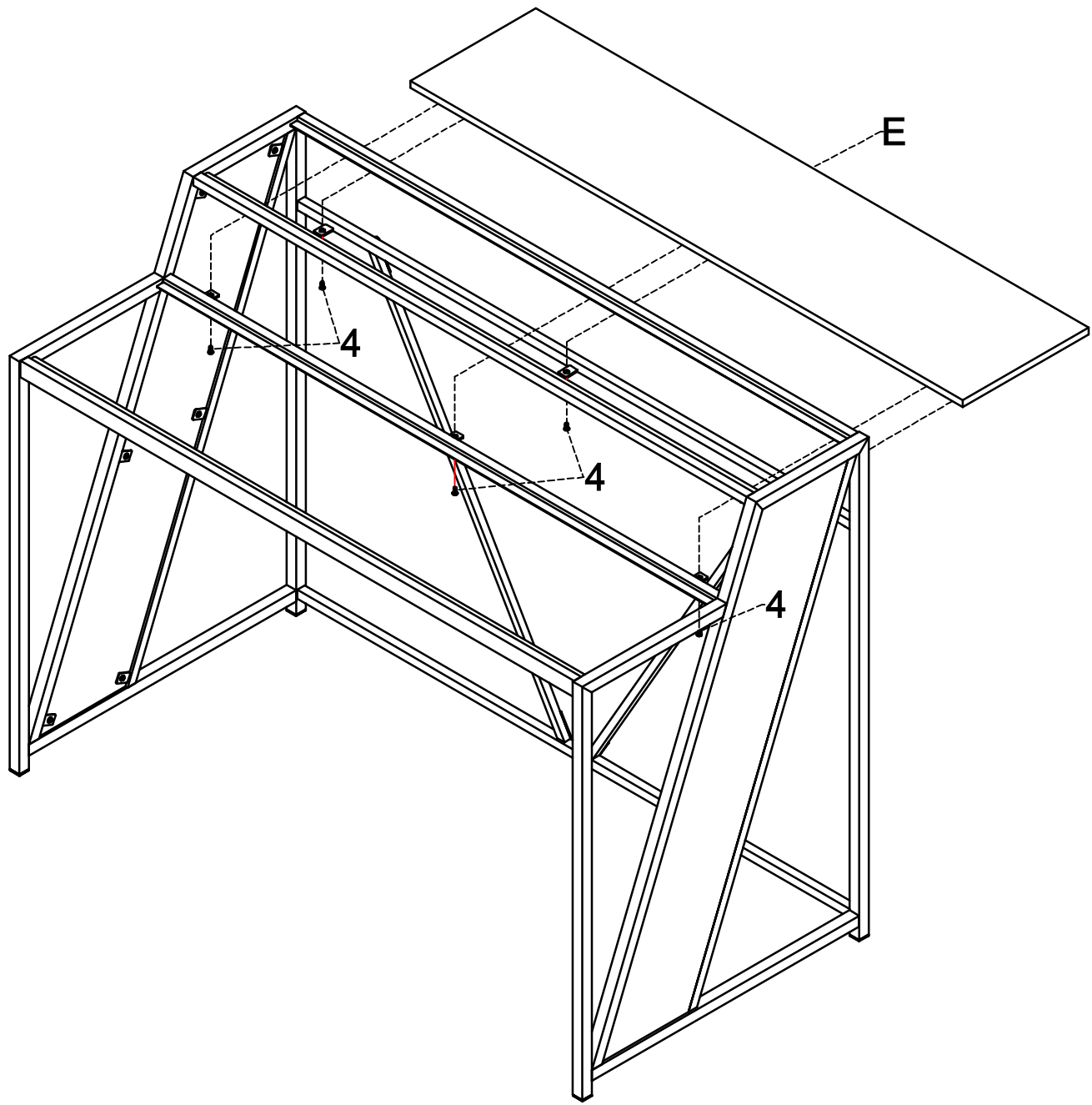
ITEM: 805541
ASSEMBLY INSTRUCTIONS
STEP 2



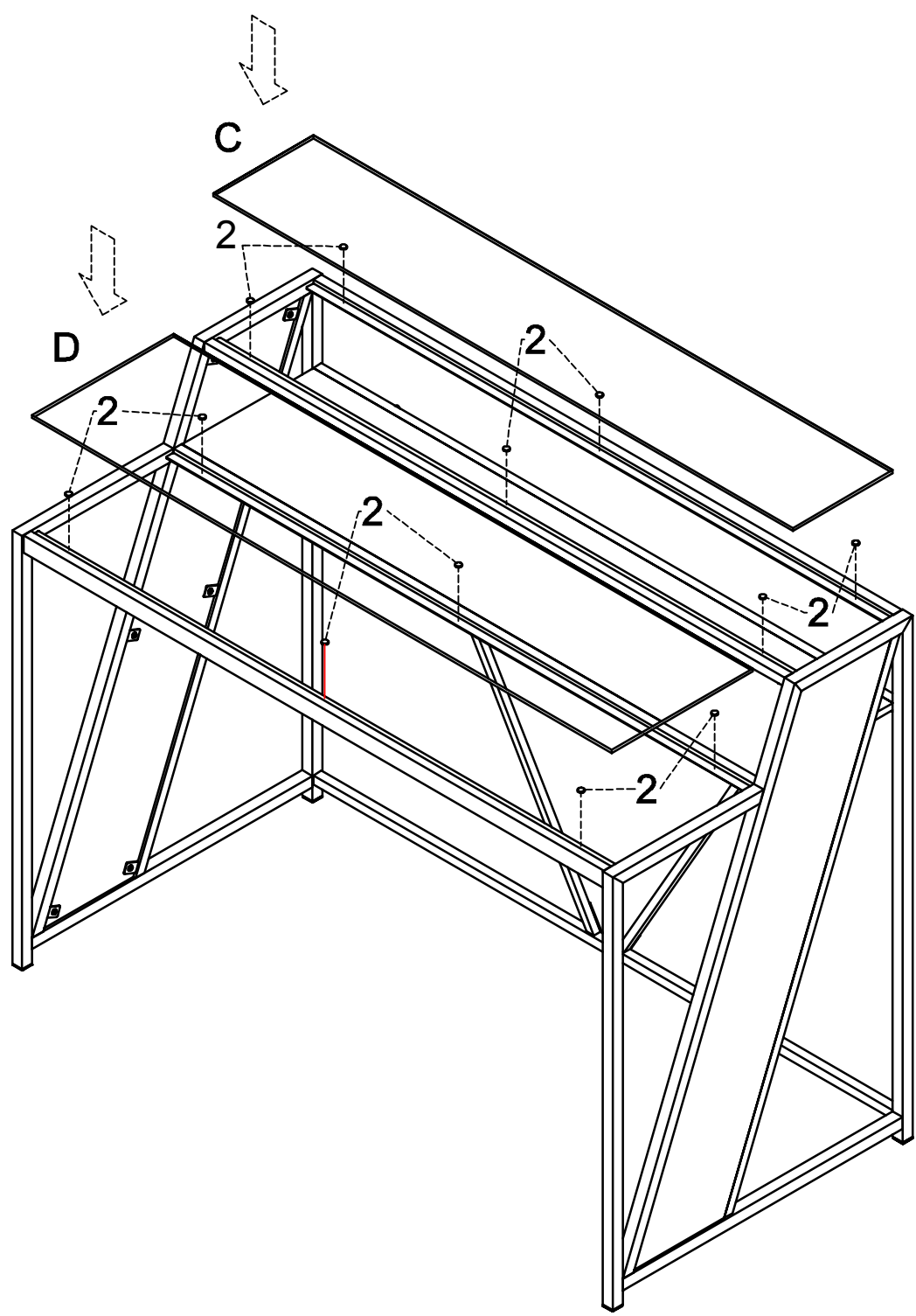
ITEM: 805541
ASSEMBLY INSTRUCTIONS
STEP 3



ITEM: 805541
ASSEMBLY INSTRUCTIONS
STEP 4



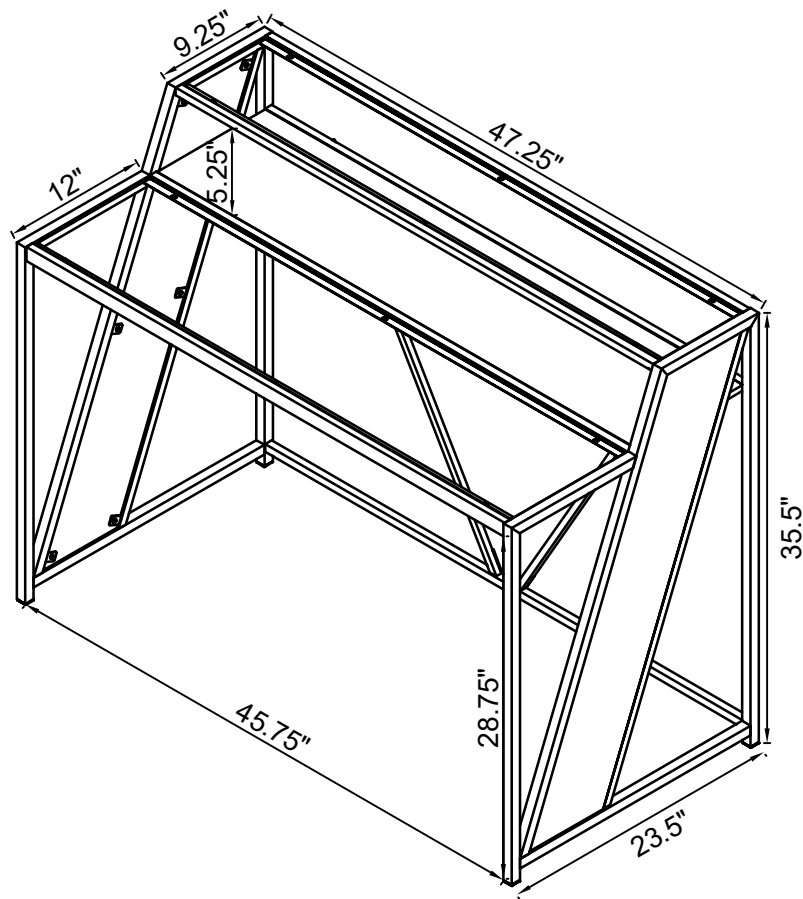
ITEM: 805541
ASSEMBLY INSTRUCTIONS
STEP 5



ITEM:805541 ASSEMBLY INSTRUCTIONS



Product Size : 1200 X 597 X 902 H (MM)
Product Size : 47 $\frac{1}{4}$" X 23 $\frac{1}{2}$" X 35 $\frac{1}{2}$"



Note : Dimension tolerance $\pm 5\%$