



ASSEMBLY INSTRUCTIONS
COASTER FINE FURNITURE



Fine Furniture for every stage of life

881572
FILE CABINET

REVISION 0 : 06/22/2022

PAGE 1 OF 12

COASTERFURNITURE.COM

ITEM:881572



ASSEMBLY INSTRUCTIONS

ASSEMBLY TIPS:

1. Remove hardware from box and sort by size.
2. Please check to see that all hardware and parts are present prior to start of assembly.
3. Please follow attached instructions in the same sequence as numbered to assure fast & easy assembly.



WARNING!

1. Don't attempt to repair or modify parts that are broken or defective. Please contact the store immediately.
2. This product is for home use only and not intended for commercial establishments.



ASSEMBLY TIME 80 MINUTES

PARTS IDENTIFICATION

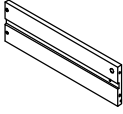
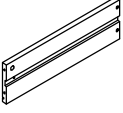
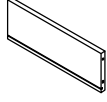
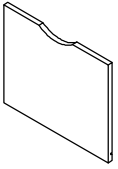
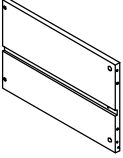
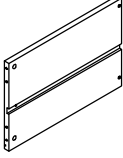
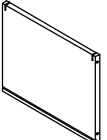
A	TOP PANEL		1PC
B	LEFT PANEL		1PC
C	RIGHT PANEL		1PC
D	BACK PANEL		1PC
E	BOTTOM PANEL		1PC
F	SMALL DRAWER FRONT PANEL		1PC

ITEM:881572

ASSEMBLY INSTRUCTIONS

PARTS IDENTIFICATION



G	SMALL DRAWER LEFT PANEL		1PC
H	SMALL DRAWER RIGHT PANEL		1PC
I	SMALL DRAWER BACK PANEL		1PC
J	LARGE DRAWER FRONT PANEL		1PC
K	LARGE DRAWER LEFT PANEL		1PC
L	LARGE DRAWER RIGHT PANEL		1PC
M	LARGE DRAWER BACK PANEL		1PC

ITEM:881572



ASSEMBLY INSTRUCTIONS

PARTS IDENTIFICATION

N DRAWER BOTTOM PANEL  2PCS

O FILE HANGER  2PCS

P SLIDE RAIL  4PCS

Q CASTER  2PCS

R CASTER-LOCK  2PCS

ITEM:881572

ASSEMBLY INSTRUCTIONS

HARDWARE IDENTIFICATION

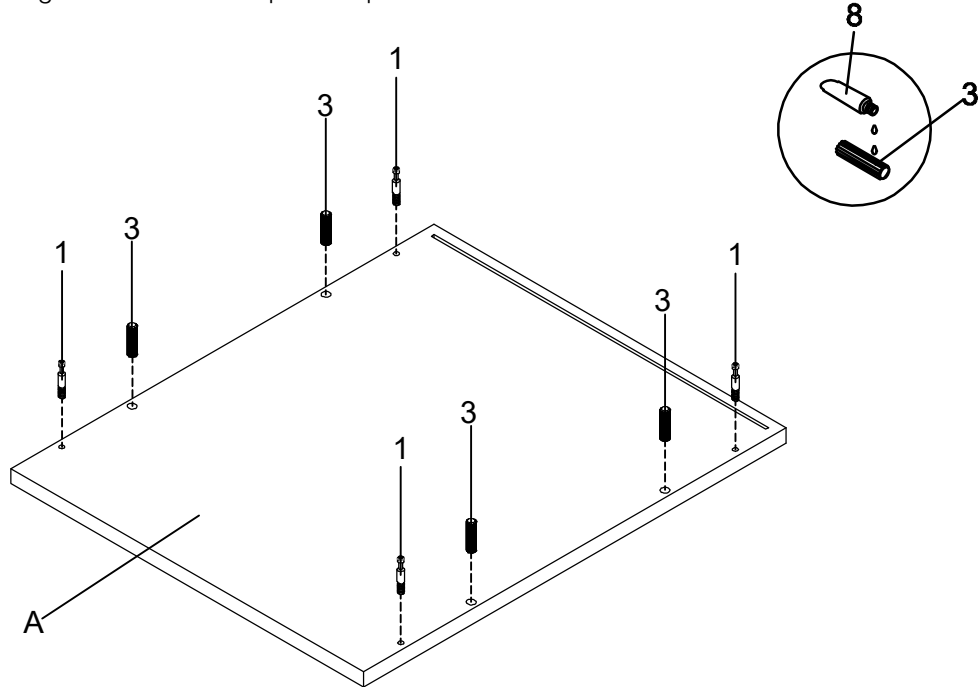


1	CAM BOLT (38mm)		10PCS
2	LARGE CAM-LOCK (ϕ 15mm)		10PCS
3	LARGE WOOD DOWEL (8 x 30mm)		10PCS
4	LONG SCREW (ϕ 8 x 38mm)		14PCS
5	SLIDE RAIL SCREW		12PCS
6	SMALL BOLT (5/32"x 12mm)		4PCS
7	SHORT SCREW (4 x 12mm)		18PCS
8	GLUE		1PC
9	ALLEN WRENCH (4mm)		1PC

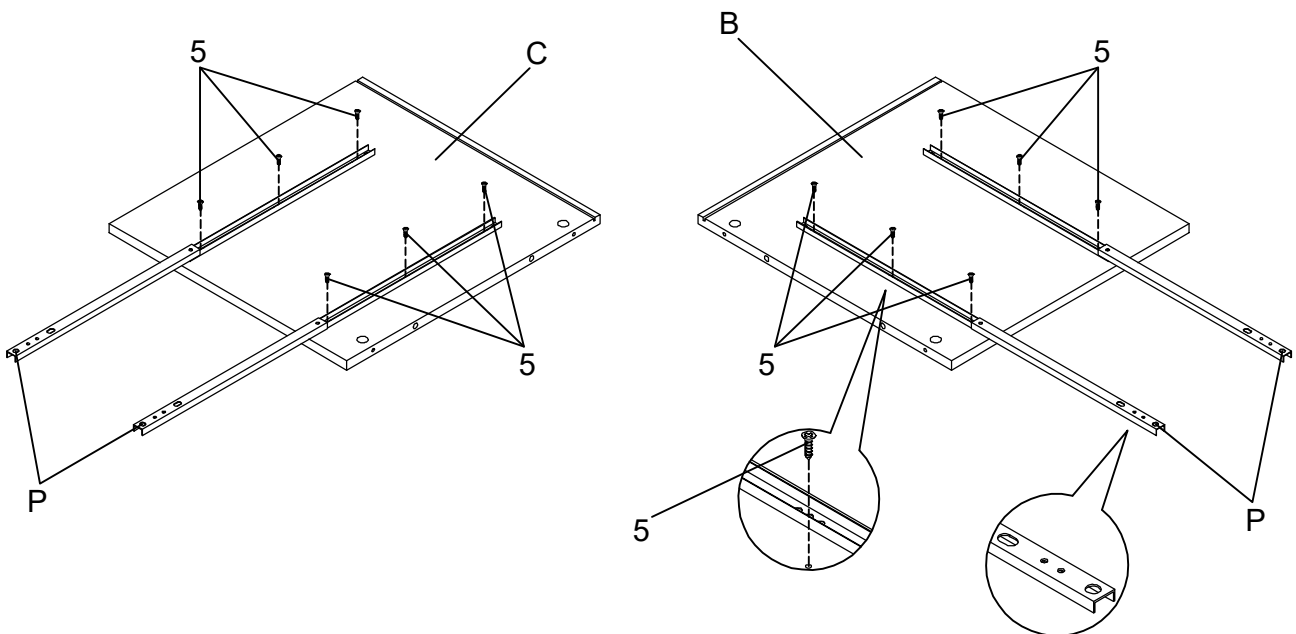
ITEM:881572 ASSEMBLY INSTRUCTIONS



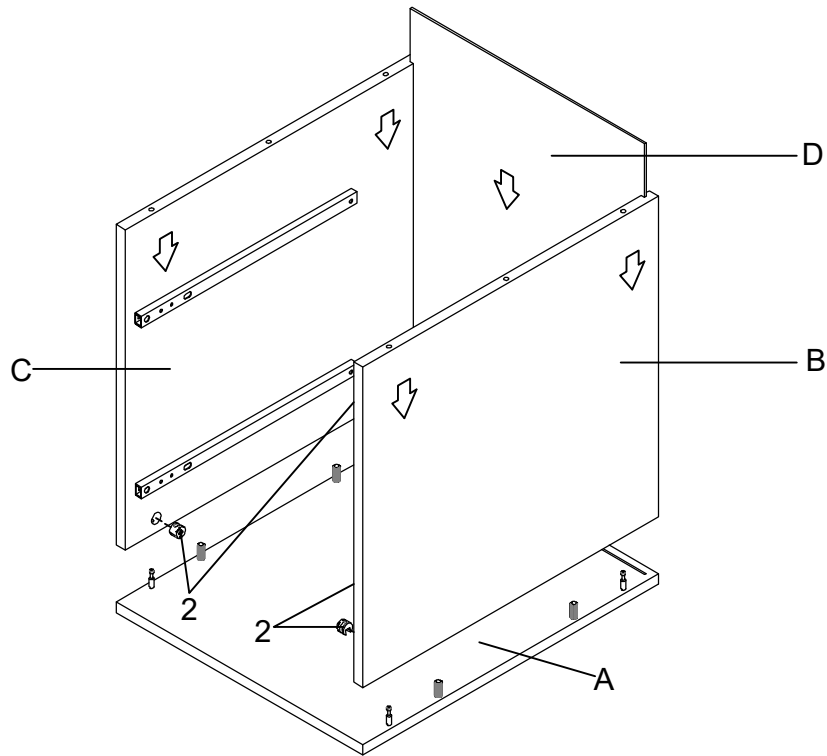
STEP 1 Do not tighten until each step is completed or instructed.



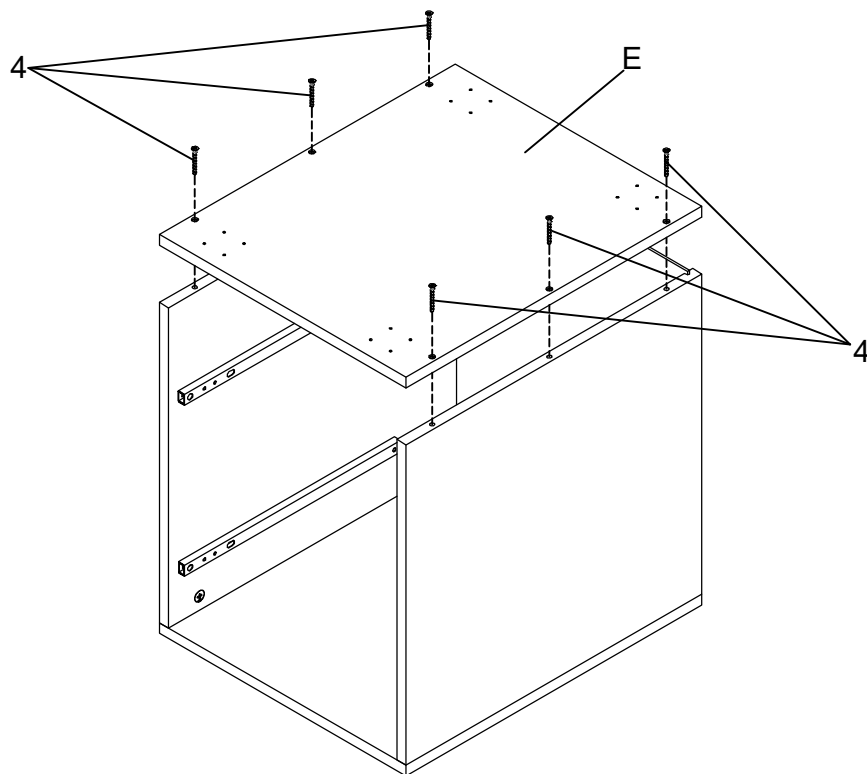
STEP 2



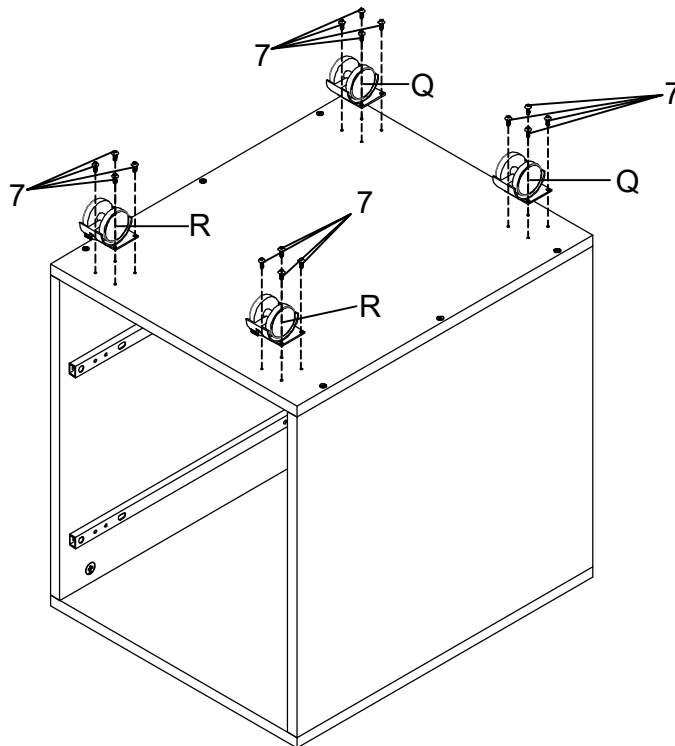
ITEM:881572
ASSEMBLY INSTRUCTIONS
STEP 3



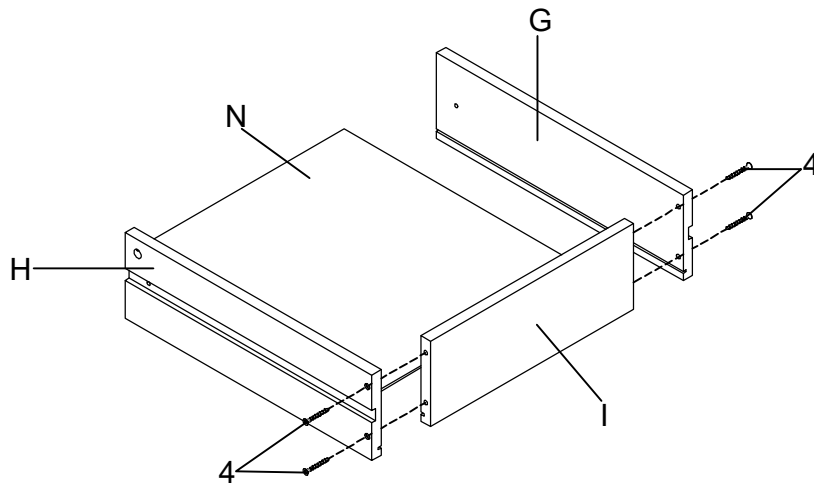
STEP 4



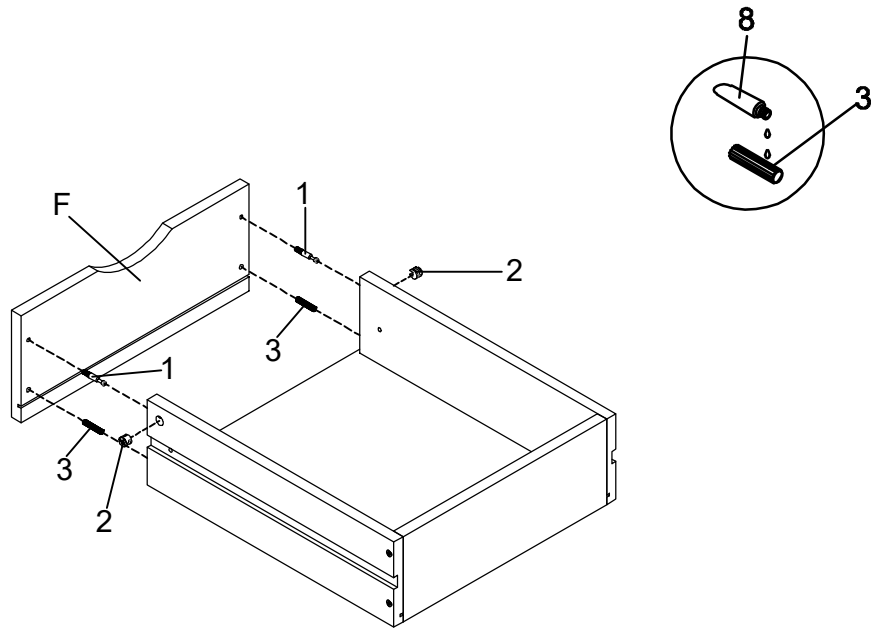
ITEM:881572
ASSEMBLY INSTRUCTIONS
STEP 5



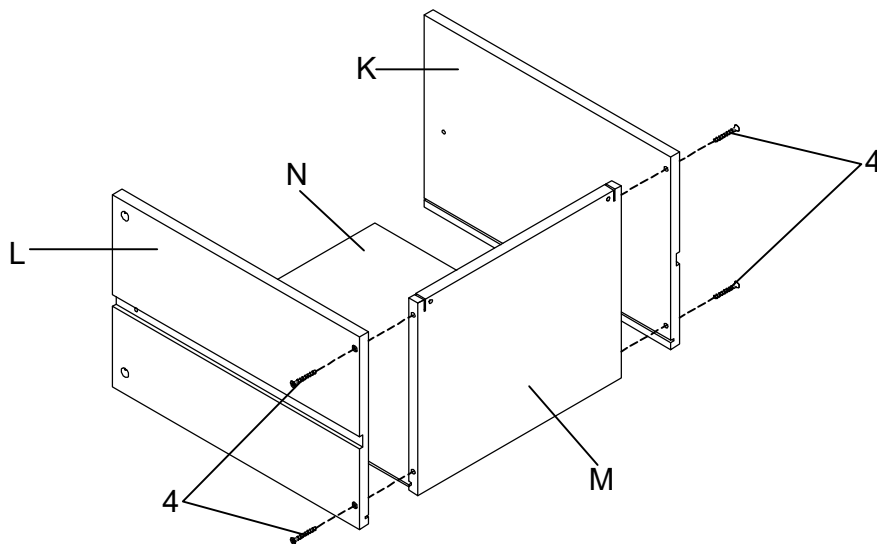
STEP 6



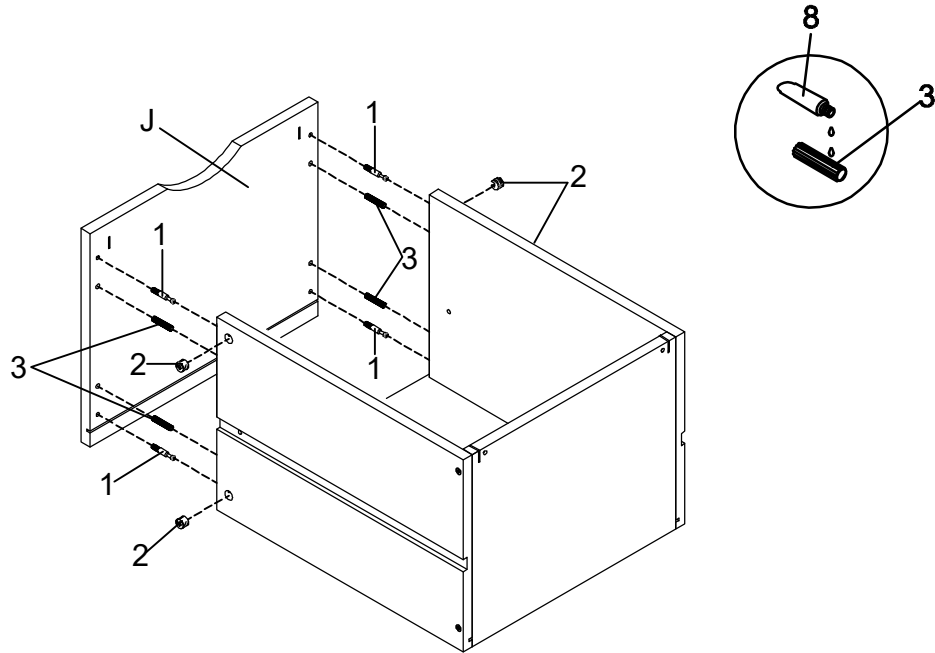
ITEM:881572
ASSEMBLY INSTRUCTIONS
STEP 7



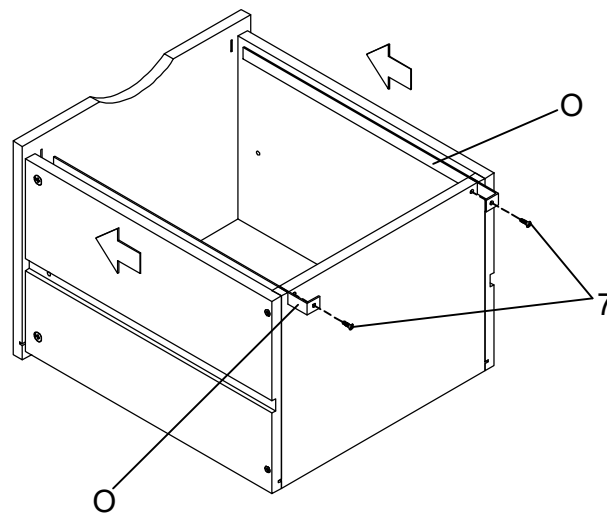
STEP 8



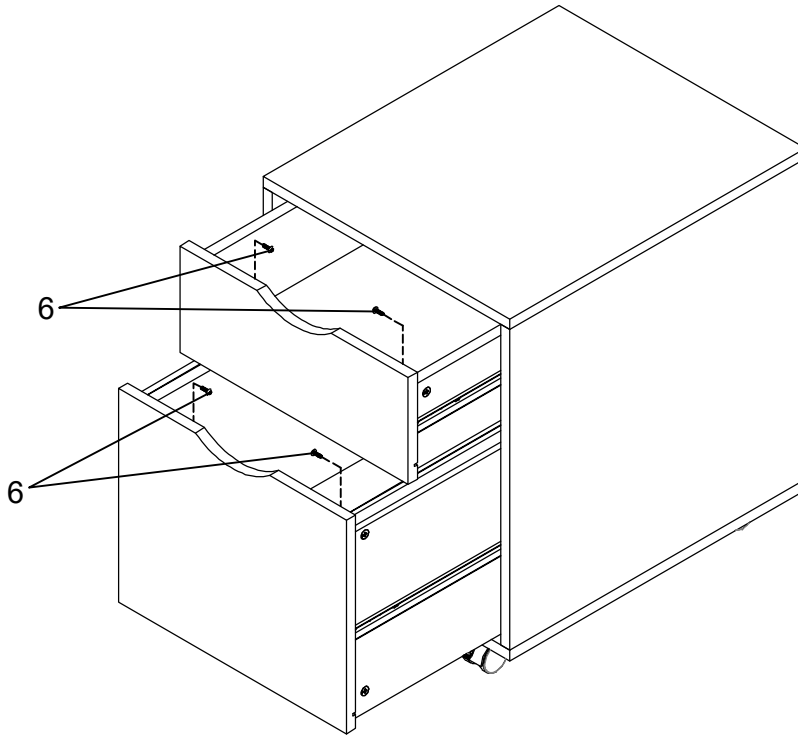
ITEM:881572
ASSEMBLY INSTRUCTIONS
STEP 9



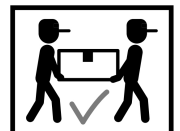
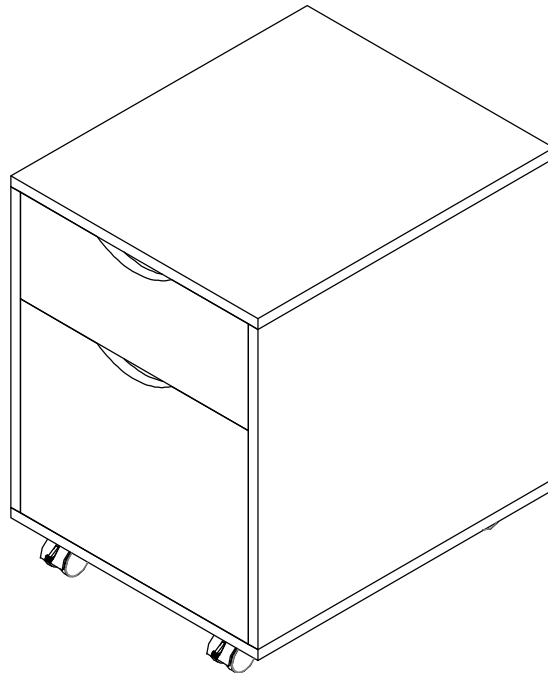
STEP 10



ITEM:881572
ASSEMBLY INSTRUCTIONS
STEP 11



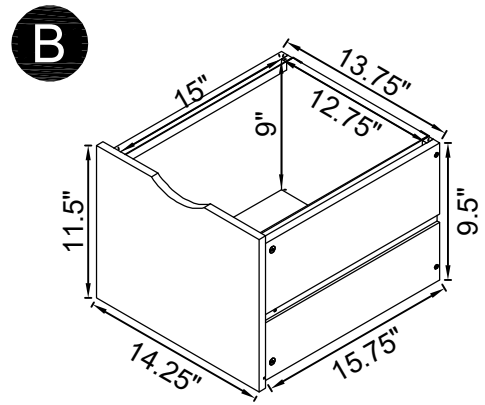
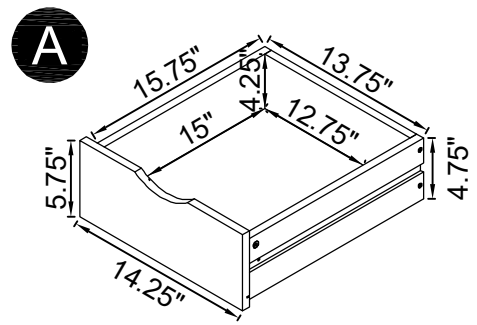
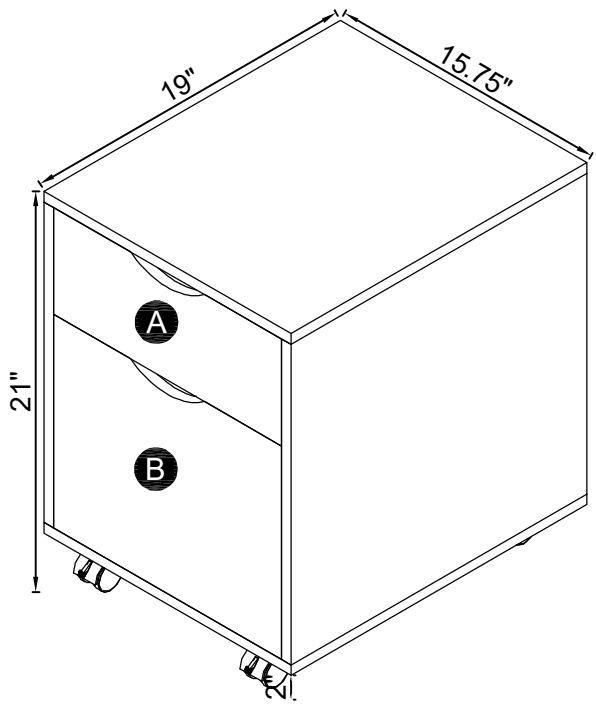
STEP 12
COMPLETE



ITEM:881572 ASSEMBLY INSTRUCTIONS



Product Size : 400 X 483 X 533 H (MM)
Product Size : 15.75" X 19" X 21"



Note : Dimension tolerance $\pm 5\%$