

ASSEMBLY INSTRUCTIONS
COASTER FINE FURNITURE



Fine Furniture for every stage of life

882116
WRITING DESK

ITEM:882116



ASSEMBLY INSTRUCTIONS

ASSEMBLY TIPS:

1. Remove hardware from box and sort by size.
2. Please check to see that all hardware and parts are present prior to start of assembly.
3. Please follow attached instructions in the same sequence as numbered to assure fast & easy assembly.



WARNING!

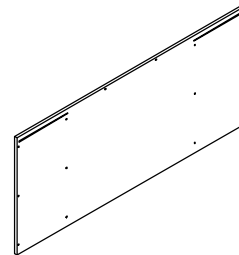
1. Don't attempt to repair or modify parts that are broken or defective. Please contact the store immediately.
2. This product is for home use only and not intended for commercial establishments.



ASSEMBLY TIME 60 MINUTES

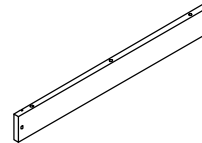
PARTS IDENTIFICATION

A BOTTOM PANEL



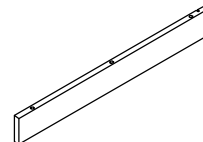
1PC

B LEFT PANEL



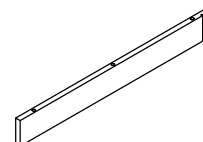
1PC

C LEFT MIDDLE PANEL



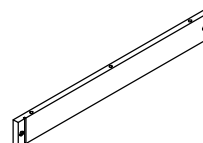
1PC

D RIGHT MIDDLE PANEL



1PC

E RIGHT PANEL



1PC

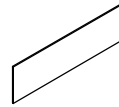
ITEM:882116

ASSEMBLY INSTRUCTIONS

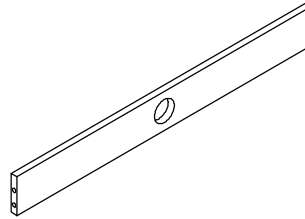
PARTS IDENTIFICATION



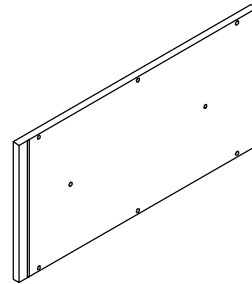
F SMALL BACK PANEL 2PCS



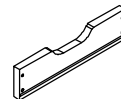
G LARGE BACK PANEL 1PC



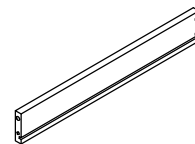
H TOP PANEL 2PCS



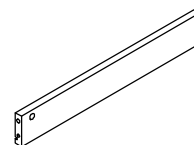
I DRAWER FRONT PANEL 2PCS



J DRAWER LEFT PANEL 2PCS



K DRAWER RIGHT PANEL 2PCS



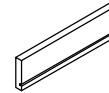
ITEM:882116

ASSEMBLY INSTRUCTIONS

PARTS IDENTIFICATION



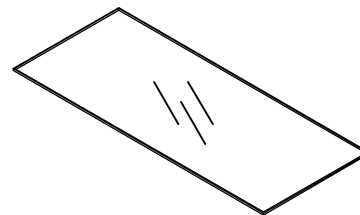
L DRAWER BACK PANEL 2PCS



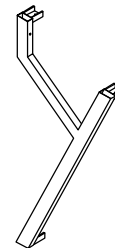
M DRAWER BOTTOM PANEL 2PCS



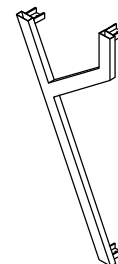
N GLASS 1PC



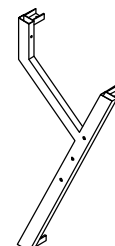
O LEFT FRONT LEG 1PC



P RIGHT FRONT LEG 1PC



Q RIGHT BACK LEG 1PC



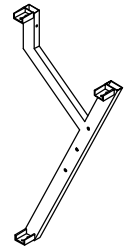
ITEM:882116



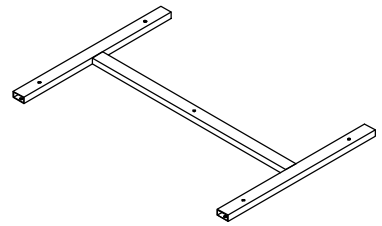
ASSEMBLY INSTRUCTIONS

PARTS IDENTIFICATION

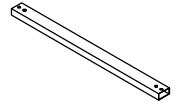
R LEFT BACK LEG 1PC



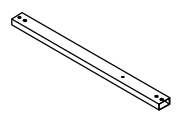
S CONNECTING FRAME 1PC



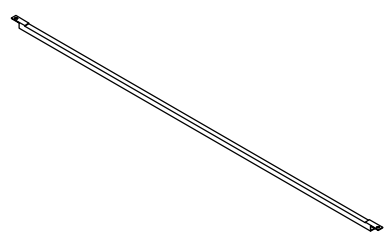
T TOP CROSSBAR 2PCS



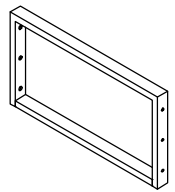
U SHORT BOTTOM CROSSBAR 2PCS



V LONG BOTTOM CROSSBAR 1PC



A1 SUPPORT FRAME 2PCS



ITEM:882116 ASSEMBLY INSTRUCTIONS
















PARTS IDENTIFICATION

A2 GROMMET



1PC

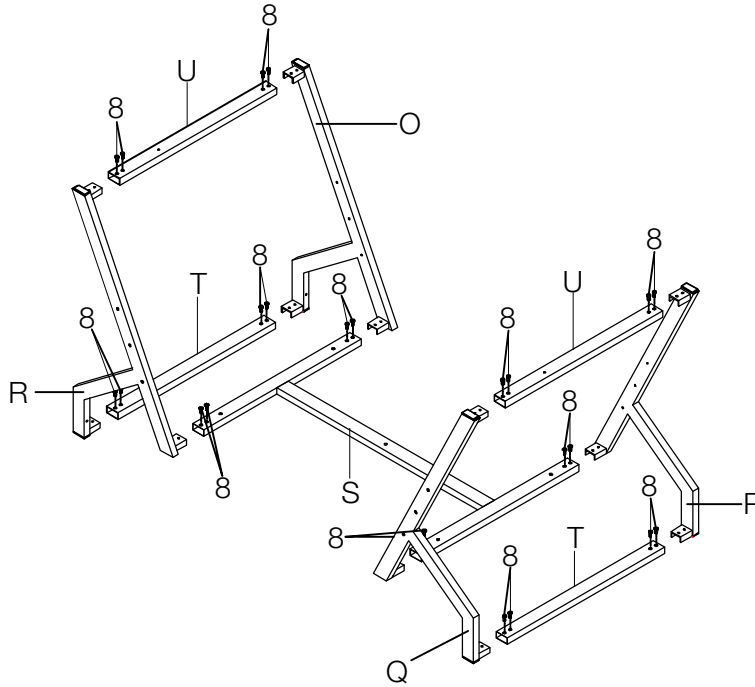
HARDWARE IDENTIFICATION

1	SMALL WOOD DOWEL (6 x 30mm)		4PCS	8	SHORT BOLT (1/4" x 12mm SR)		26PCS
2	LARGE WOOD DOWEL (8 x 30mm)		18PCS	9	BOLT (1/4" x 32mm SR)		12PCS
3	CAM BOLT (38mm)		4PCS	10	LONG SCREW (4 x 38mm)		22PCS
4	CAM-LOCK (ϕ 15mm)		4PCS	11	SUCTION CUP		8PCS
5	CAP (20 x 40mm SR)		4PCS	12	GLUE		1PC
6	LONG BOLT (1/4" x 28mm SR)		5PCS	13	ALLEN WRENCH (4mm)		1PC
7	MEDIUM BOLT (1/4" x 25mm SR)		4PCS				

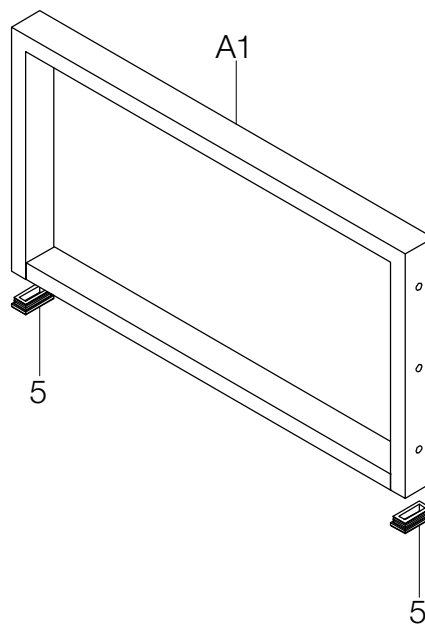
ITEM:882116 ASSEMBLY INSTRUCTIONS



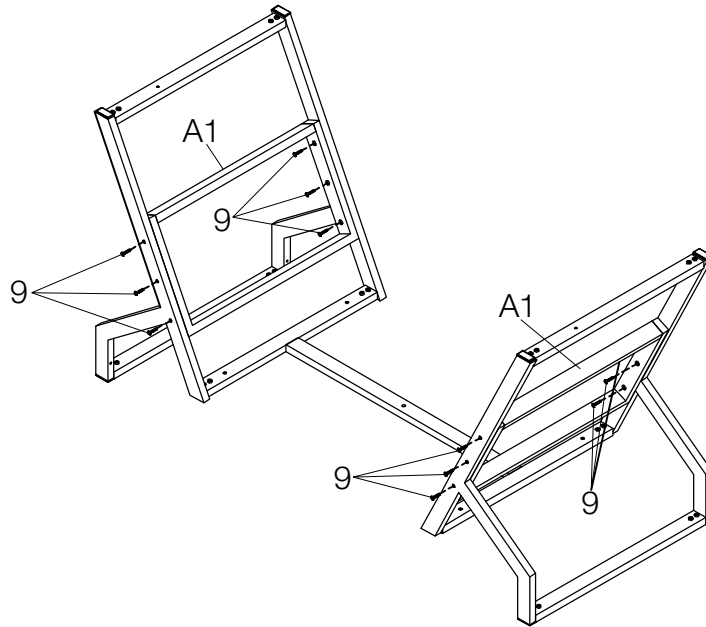
STEP 1 Do not tighten until each step is completed or instructed.



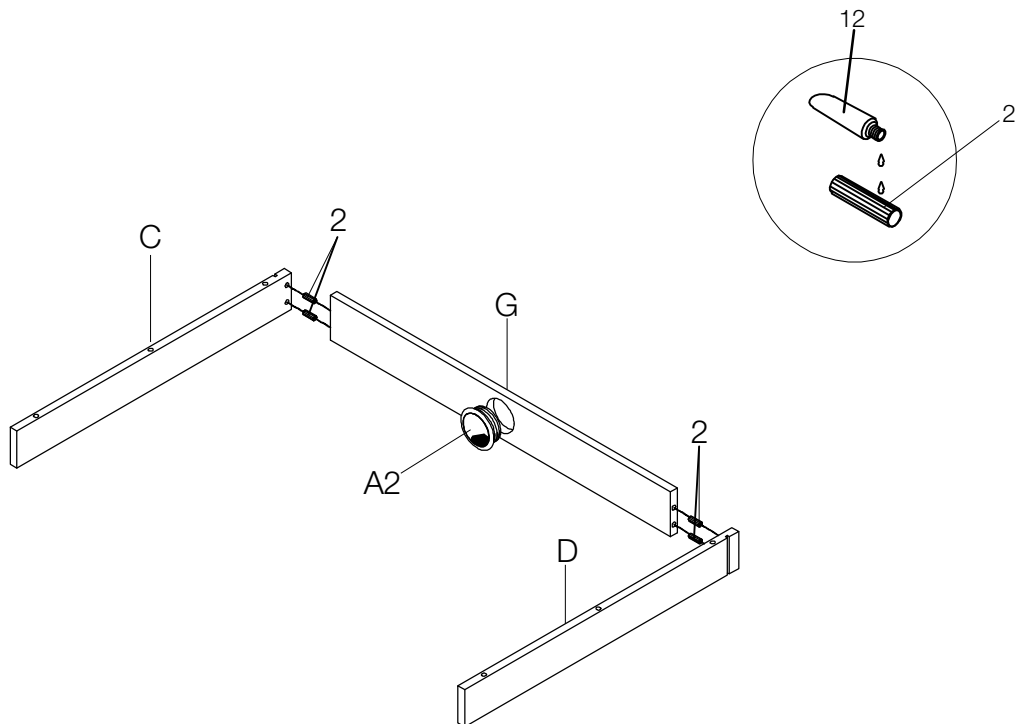
STEP 2



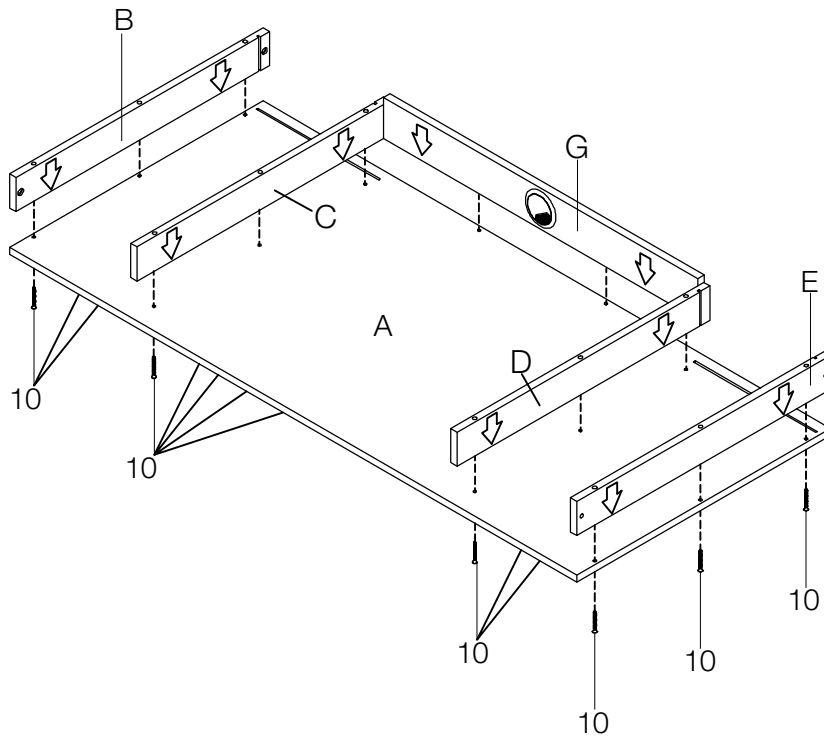
ITEM:882116
ASSEMBLY INSTRUCTIONS
STEP 3



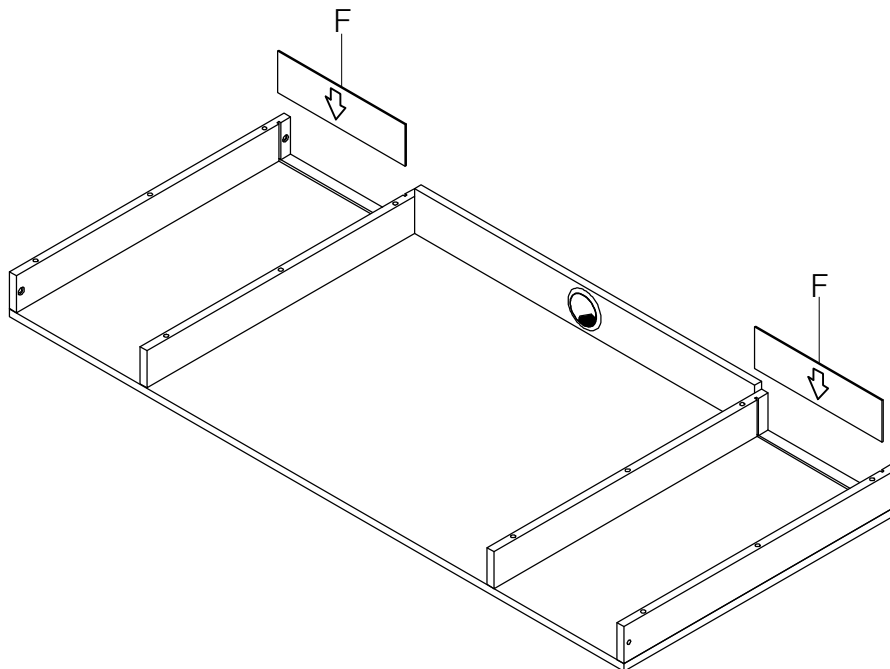
STEP 4



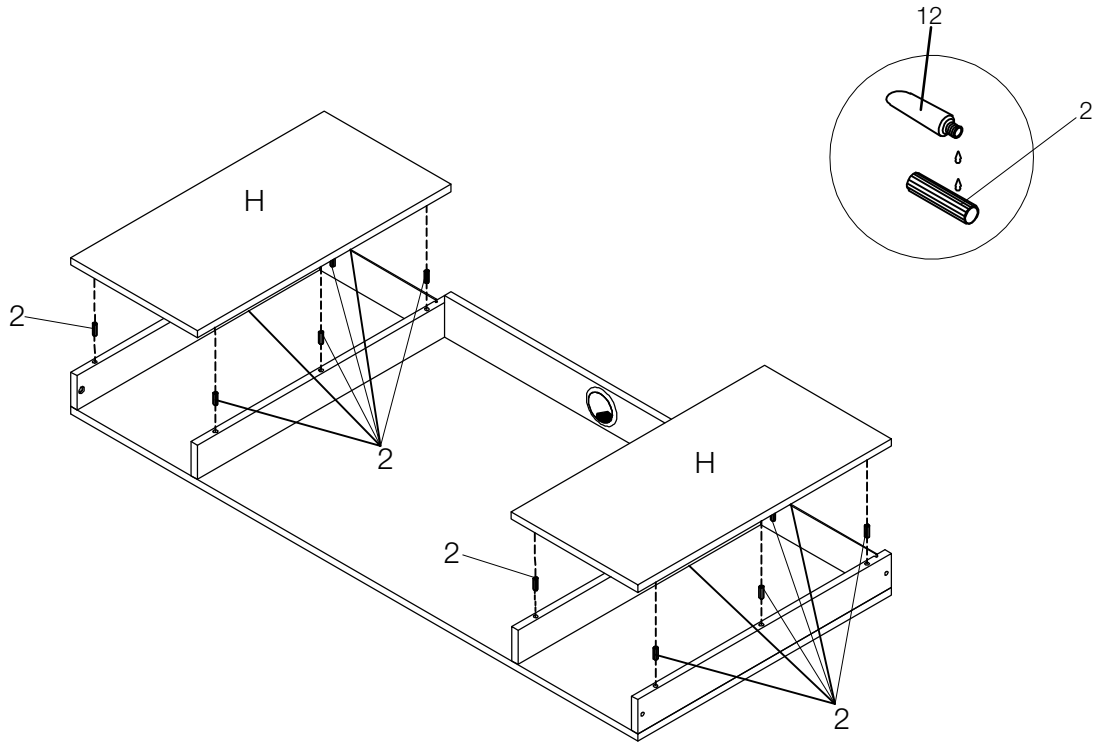
ITEM:882116
ASSEMBLY INSTRUCTIONS
STEP 5



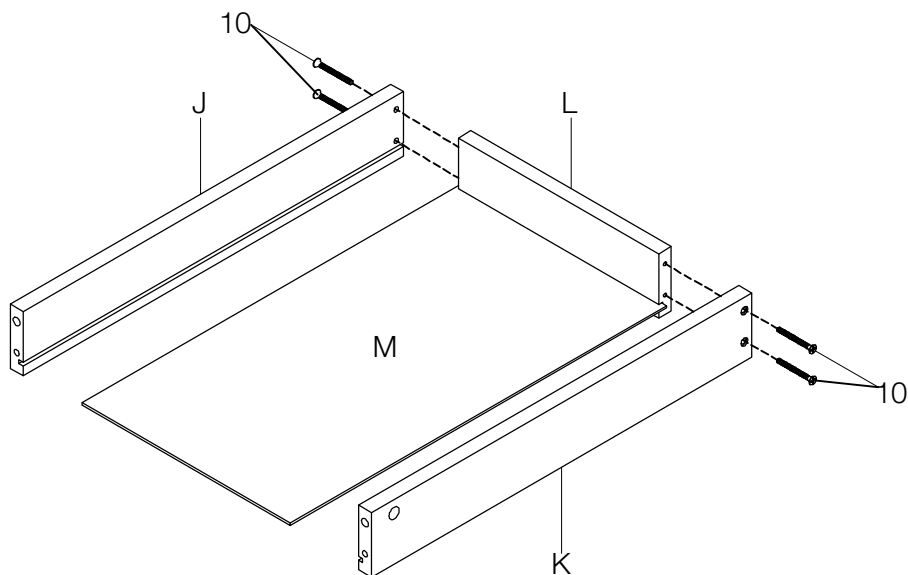
STEP 6



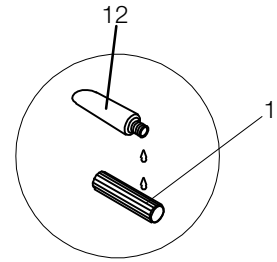
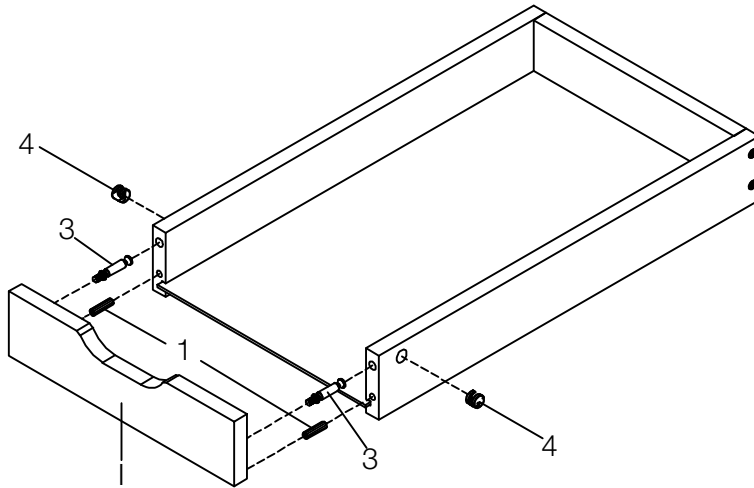
ITEM:882116
ASSEMBLY INSTRUCTIONS
STEP 7



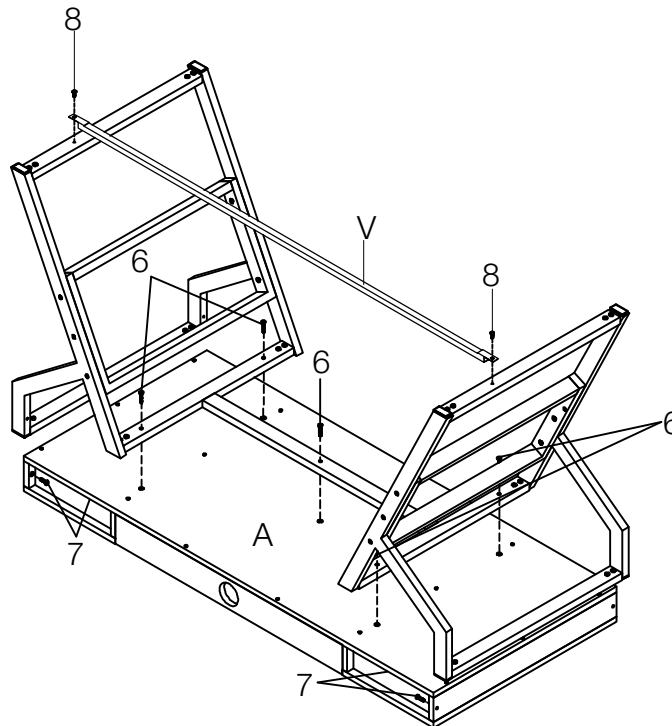
STEP 8



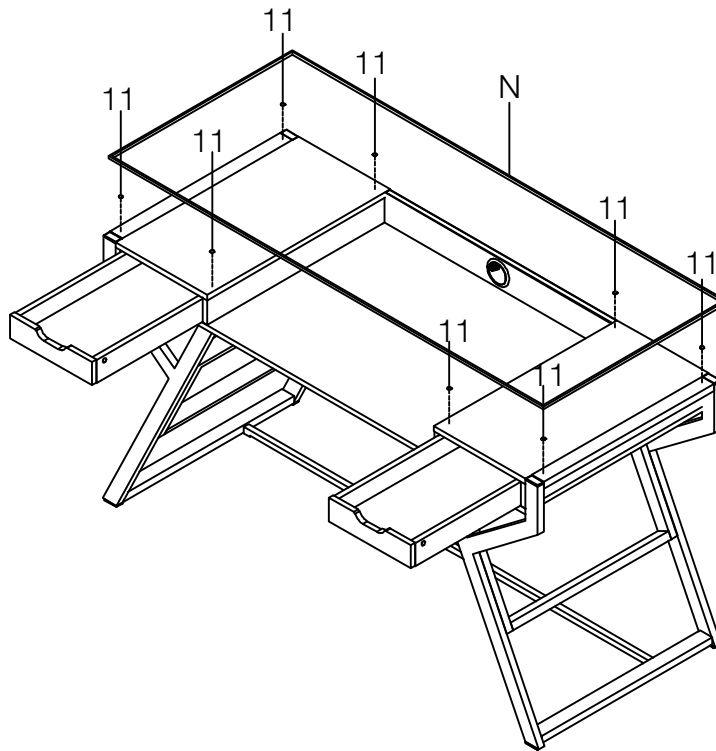
ITEM:882116
ASSEMBLY INSTRUCTIONS
STEP 9



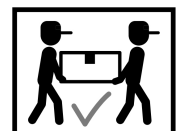
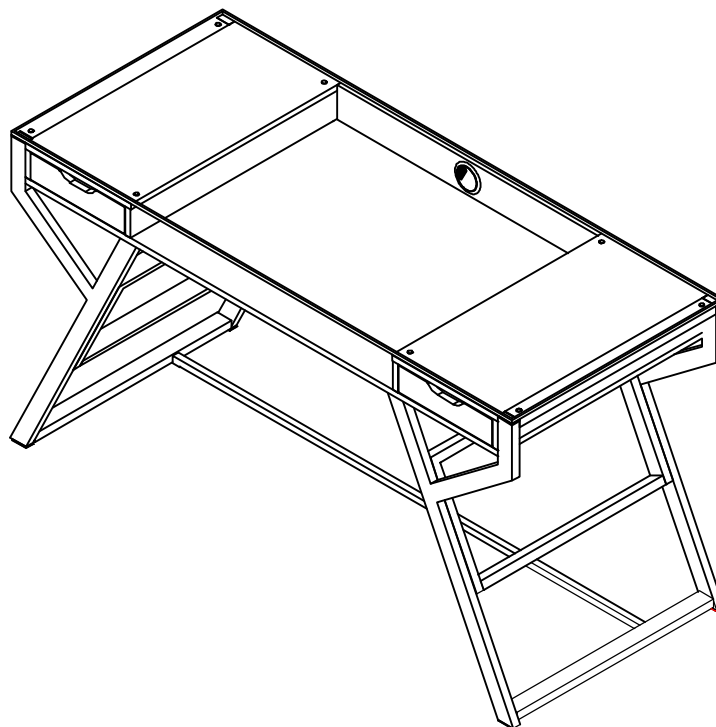
STEP 10



ITEM: 882116
ASSEMBLY INSTRUCTIONS
STEP 11



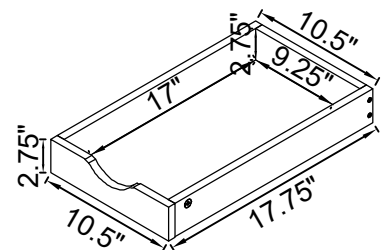
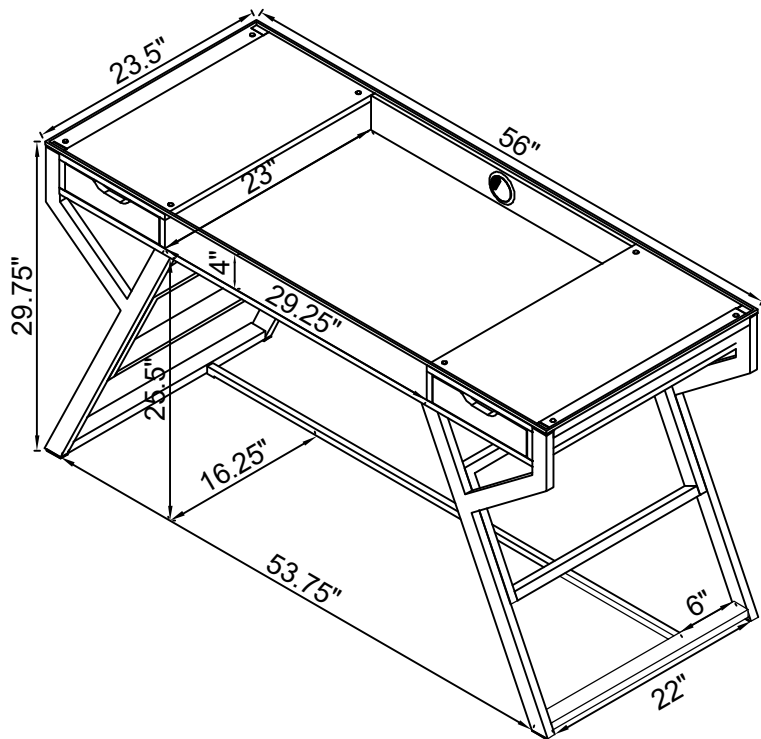
STEP 12
COMPLETE



ITEM:882116 ASSEMBLY INSTRUCTIONS



Product Size : 1422 X 597 X 756 H (MM)
Product Size : 56" X 23.5" X 29.75"



Note : Dimension tolerance $\pm 5\%$