

ASSEMBLY INSTRUCTIONS
COASTER FINE FURNITURE



Fine Furniture for every stage of life

805571
DRAFTING DESK

ITEM: 805571



ASSEMBLY INSTRUCTIONS

ASSEMBLY TIPS:

1. Remove hardware from box and sort by size.
2. Please check to see that all hardware and parts are present prior to start of assembly.
3. Please follow attached instructions in the same sequence as numbered to assure fast & easy assembly.



WARNING!

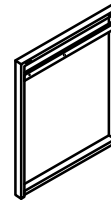
1. Don't attempt to repair or modify parts that are broken or defective. Please contact the store immediately.
2. This product is for home use only and not intended for commercial establishments.



ASSEMBLY TIME 50 MINUTES

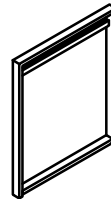
PARTS IDENTIFICATION

A LEFT FRAME



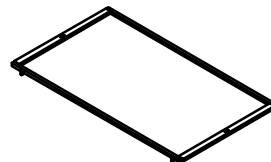
1PC

B RIGHT FRAME



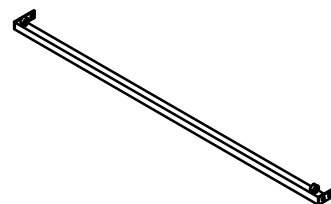
1PC

C TOP FRAME



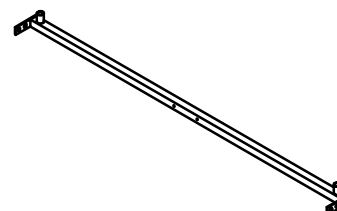
1PC

D FRONT CROSSBAR



1PC

E BACK CROSSBAR



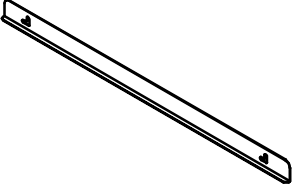
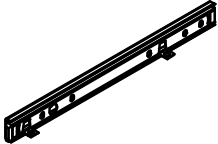
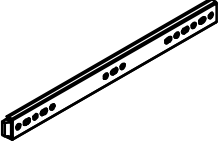
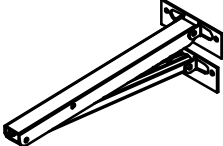
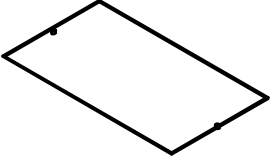
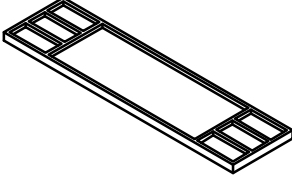
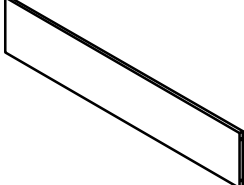
1PC

ITEM: 805571

ASSEMBLY INSTRUCTIONS



PARTS IDENTIFICATION












F	PEN HOLDER		1PC
G	LEFT SLIDE RAIL		1PC
H	RIGHT SLIDE RAIL		1PC
I	ANGLE ADJUSTMENT BRACKET		1PC
J	TOP GLASS		1PC
K	DRAWER		1PC
L	BACK PANEL		1PC

ITEM: 805571



ASSEMBLY INSTRUCTIONS

HARDWARE IDENTIFICATION

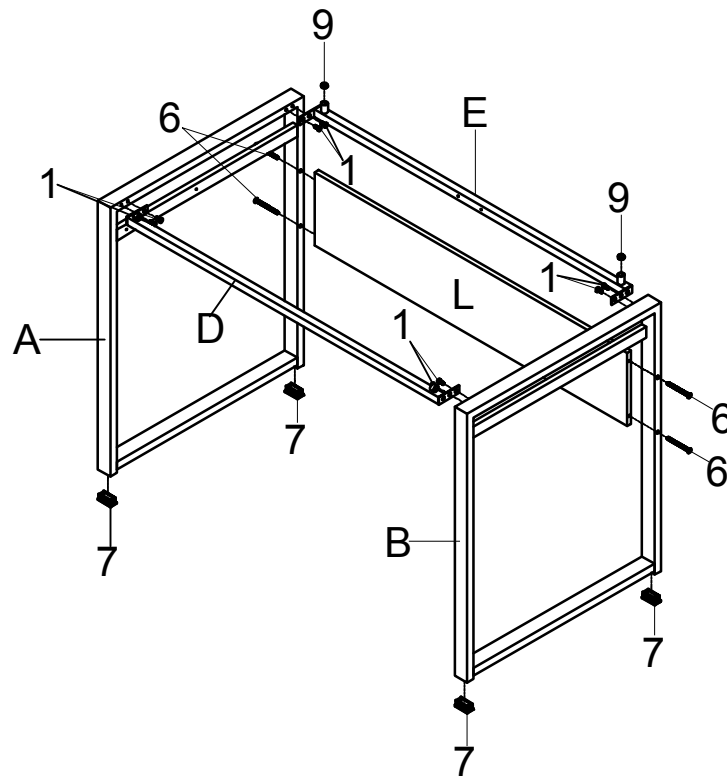
1	LONG BOLT (1/4" x 12mm BLK)		8PCS
2	SHORT BOLT (1/4" x 10mm BLK)		2PCS
3	SMALL BOLT (3/16" x 12mm BLK)		10PCS
4	SCREW (4 x 12mm BLK)		4PCS
5	BOLT		2PCS
6	LONG SCREW (5 x 71mm)		4PCS
7	LARGE CAP (20 x 40mm)		4PCS
8	SMALL CAP (16 x 16mm)		4PCS
9	ROUND CAP		2PCS
10	SUCTION CUP		6PCS
11	ALLEN WRENCH (4mm)		1PC

ITEM: 805571

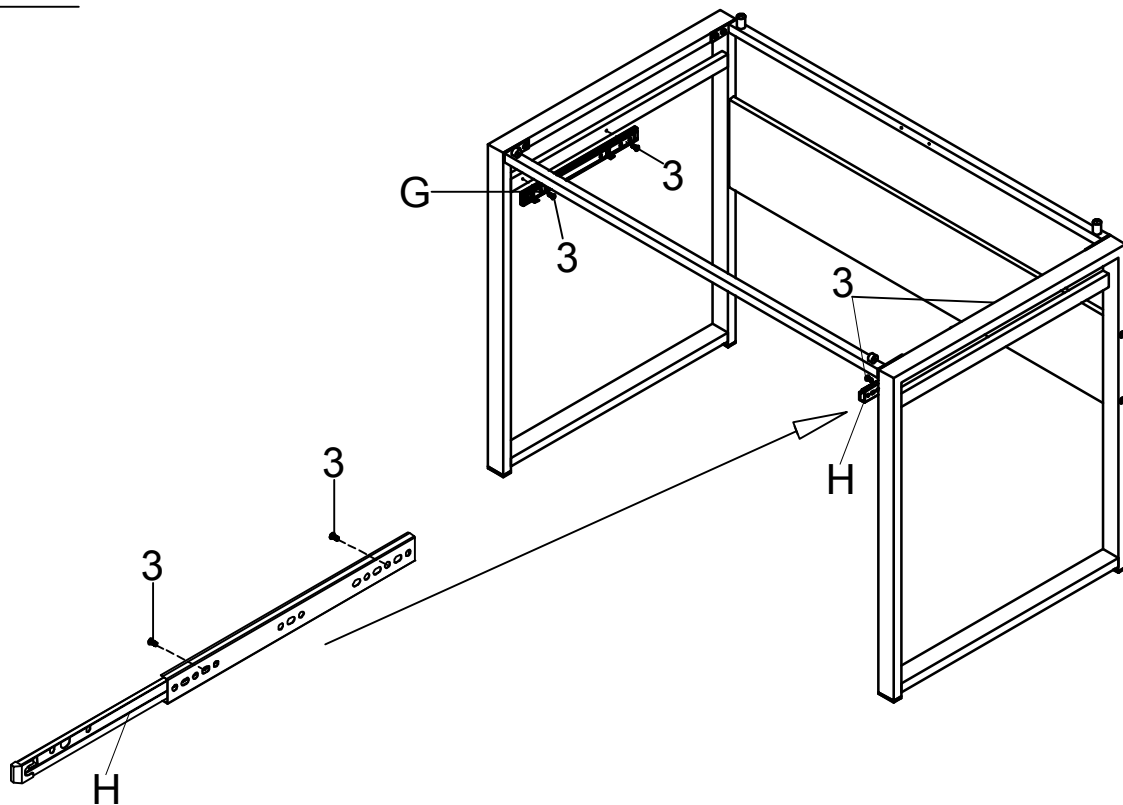


ASSEMBLY INSTRUCTIONS

STEP 1 Do not tighten until each step is completed or instructed.



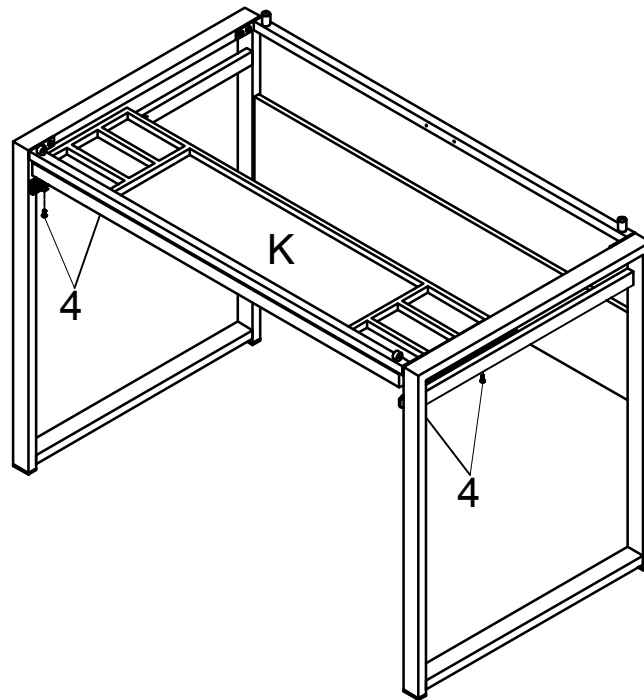
STEP 2



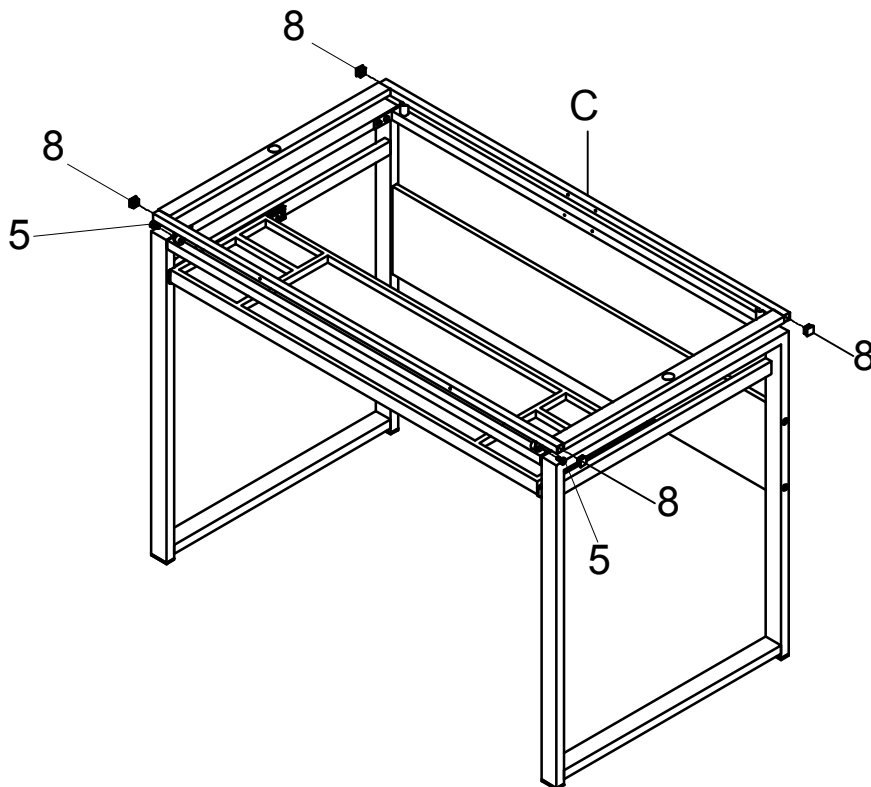
ITEM: 805571

ASSEMBLY INSTRUCTIONS

STEP 3



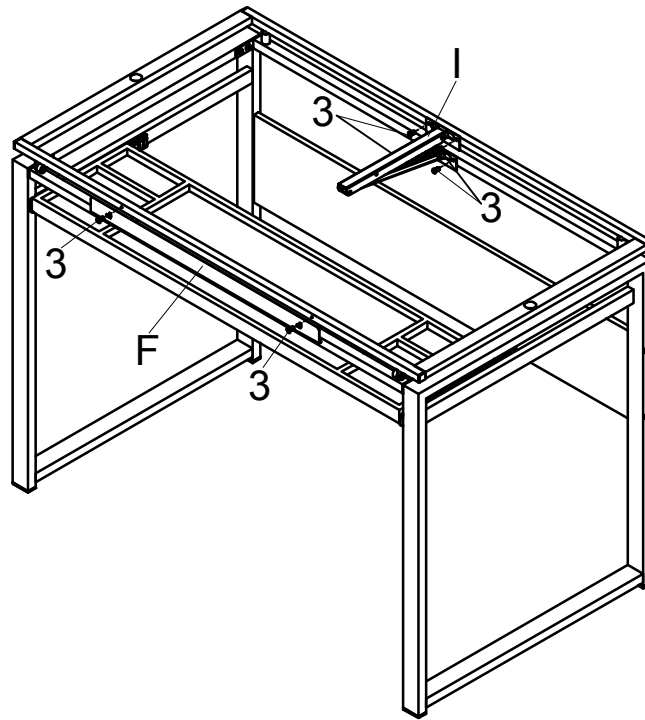
STEP 4



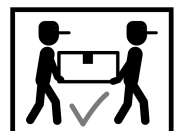
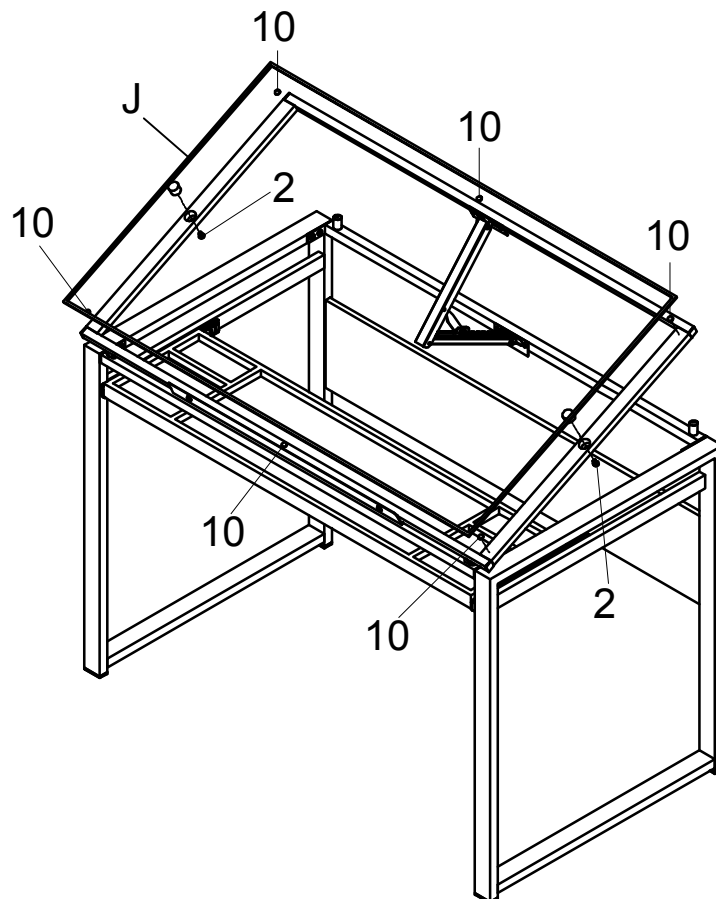
ITEM: 805571

ASSEMBLY INSTRUCTIONS

STEP 5



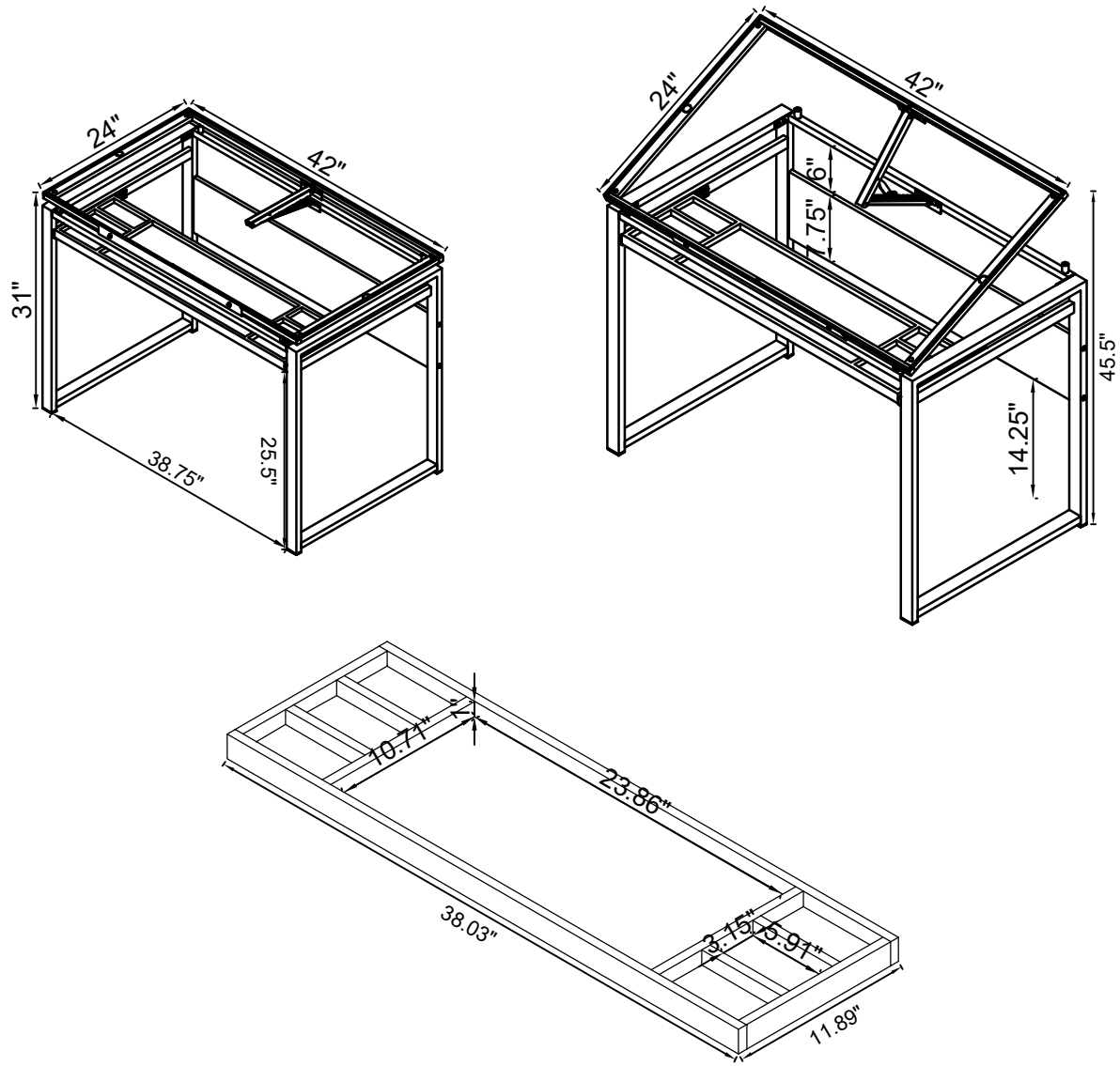
STEP 6



ITEM:805571 ASSEMBLY INSTRUCTIONS



Product Size : 1067 X 610 X 787 H (MM)
Product Size : 42" X 24" X 31"



Note : Dimension tolerance $\pm 5\%$