



*ASSEMBLY INSTRUCTIONS
COASTER FINE FURNITURE*



Fine Furniture for every stage of life

**609540P
POWER SECTIONAL**

REVISION 0: 06/17/2020
REVISION 1: 06/27/2022

ITEM : 609540LRP



ASSEMBLY INSTRUCTIONS

ASSEMBLY TIPS:

- 1.Remove hardware from box and sort by size.
- 2.Please check to see that all hardware and parts are present prior to start of assembly.
- 3.Please follow attached instruction in the same sequence as numbered to assure fast & easy assembly.



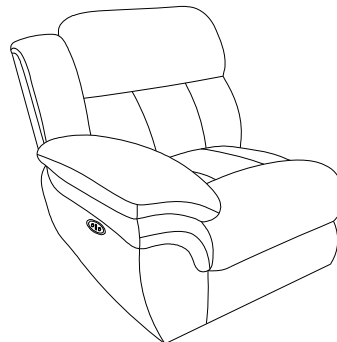
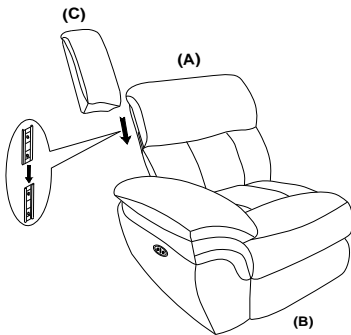
WARNING!

- 1.Don't attempt to repair or modify parts that are broken or defective. Please contact the store immediately.
- 2.This product is for home use only and not intended for commercial establishment.



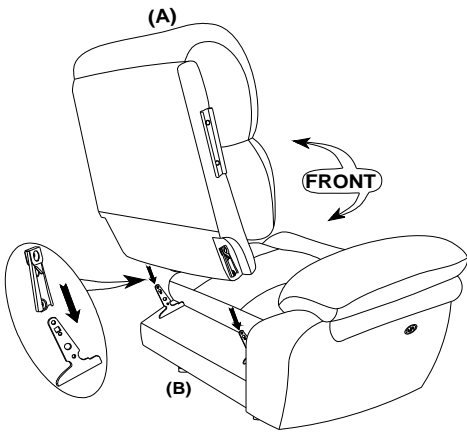
ASSEMBLY TIME 2 MINUTES

PARTS IDENTIFICATION

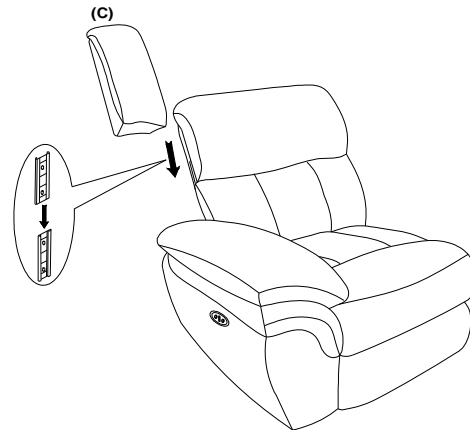


A	BACK		1PC
B	BASE		1PC
C	LEFT EAR		1PC
D	PLUG-IN POWER SUPPLY		1PC
E	Y CABLE		1PC

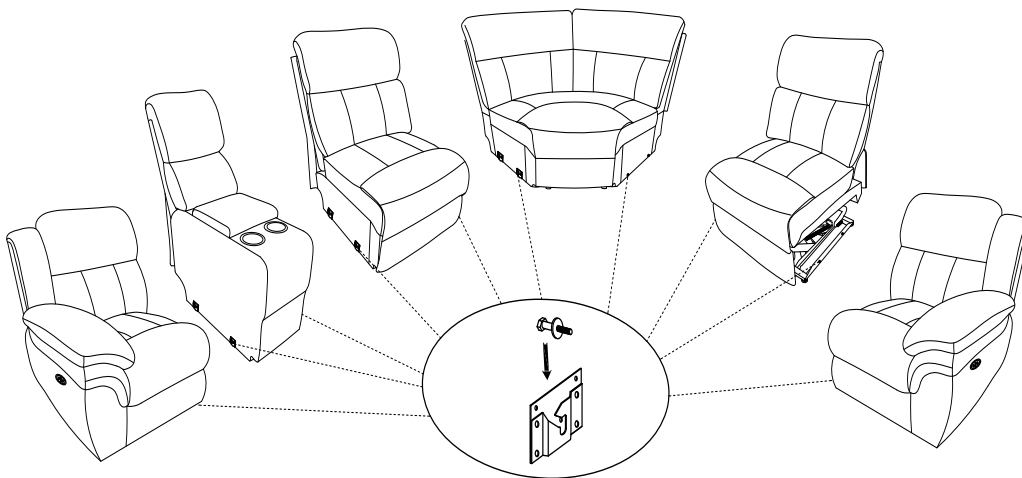
STEP 1



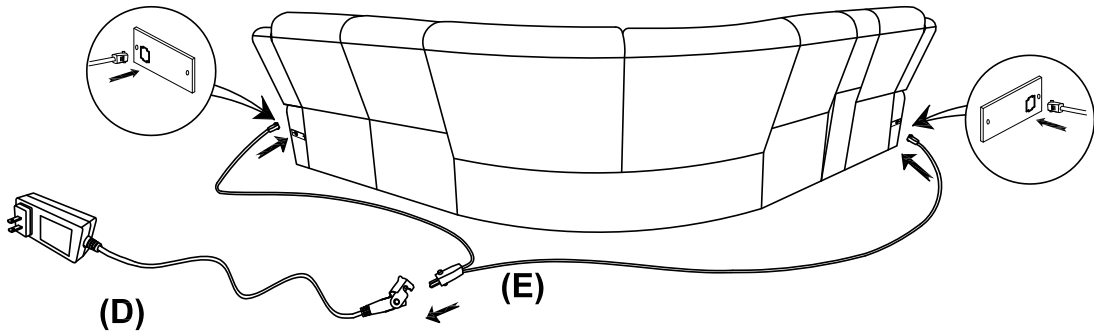
STEP 2



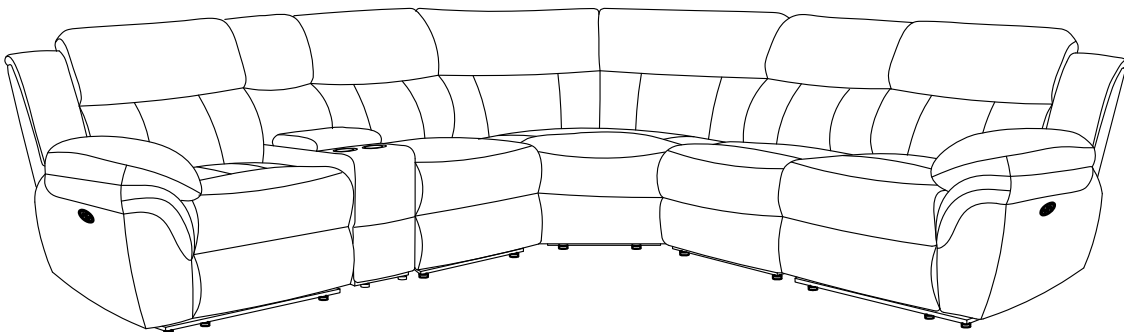
STEP 3



STEP 4



STEP 5



ITEM : 609540CON

ASSEMBLY INSTRUCTIONS



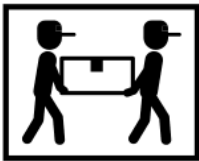
ASSEMBLY TIPS:

- 1.Remove hardware from box and sort by size.
- 2.Please check to see that all hardware and parts are present prior to start of assembly.
- 3.Please follow attached instruction in the same sequence as numbered to assure fast & easy assembly.



WARNING!

- 1.Don't attempt to repair or modify parts that are broken or defective. Please contact the store immediately.
- 2.This product is for home use only and not intended for commercial establishment.

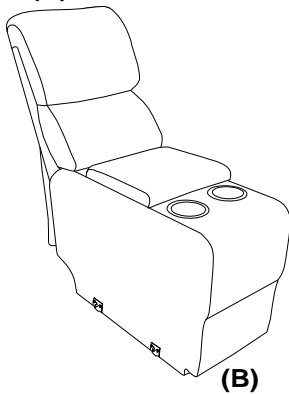


ASSEMBLY TIME

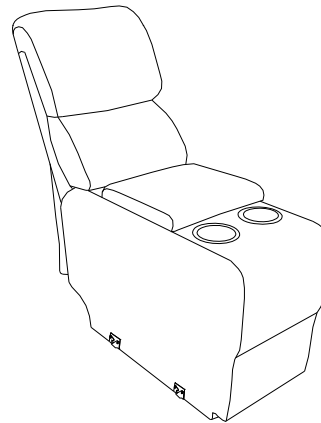
2 MINUTES

PARTS IDENTIFICATION

(A)



(B)



A

BACK



1PC

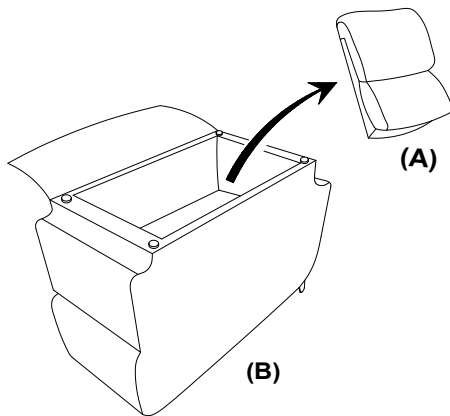
B

BASE OF CONSOLE

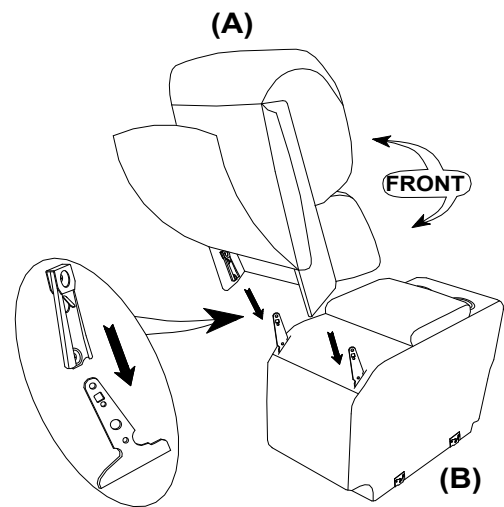


1PC

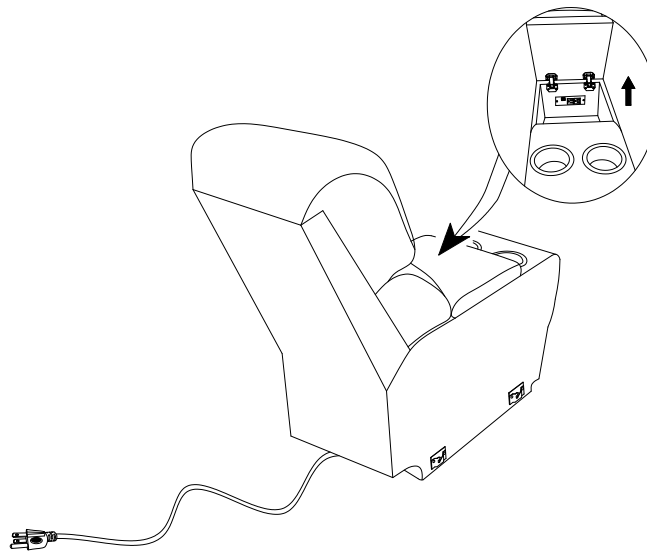
STEP 1



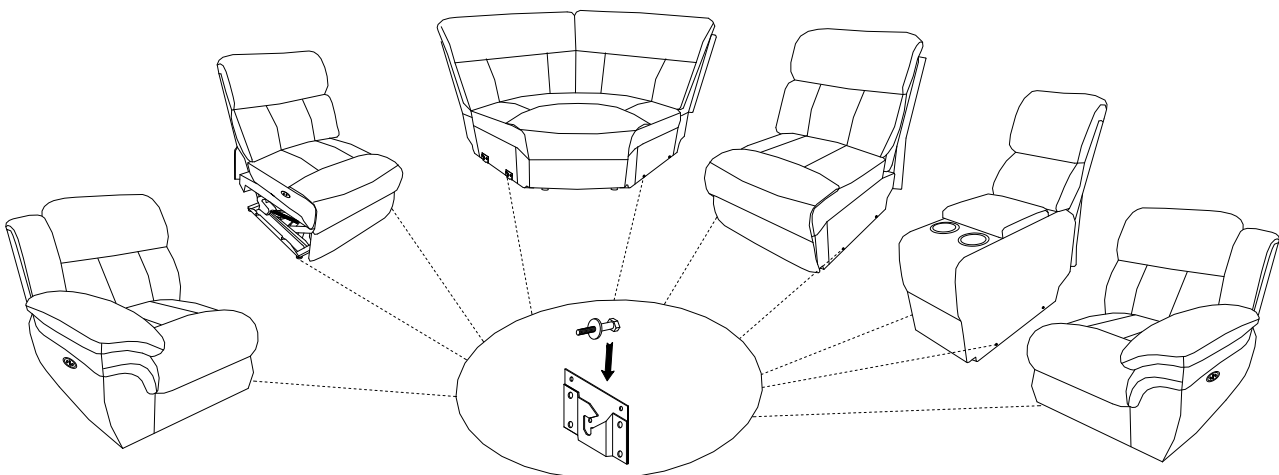
STEP 2



STEP 3



STEP 4



ITEM : 609540AC

ASSEMBLY INSTRUCTIONS



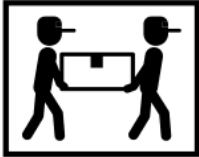
ASSEMBLY TIPS:

- 1.Remove hardware from box and sort by size.
- 2.Please check to see that all hardware and parts are present prior to start of assembly.
- 3.Please follow attached instruction in the same sequence as numbered to assure fast & easy assembly.



WARNING!

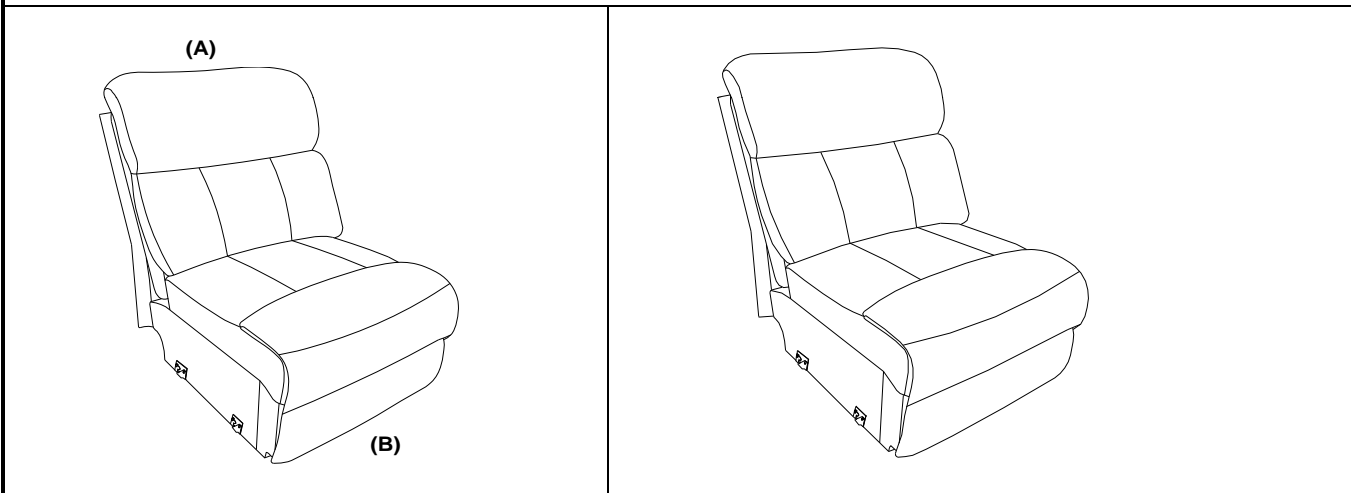
- 1.Don't attempt to repair or modify parts that are broken or defective. Please contact the store immediately.
- 2.This product is for home use only and not intended for commercial establishment.



ASSEMBLY TIME

2 MINUTES

PARTS IDENTIFICATION



A BACK



1PC

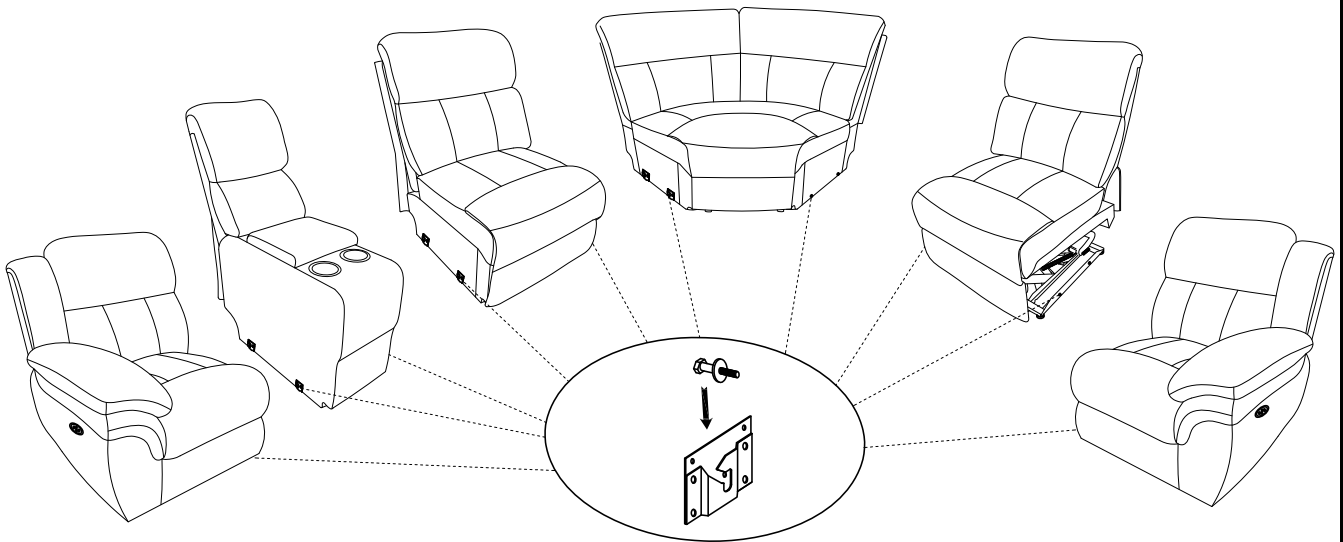
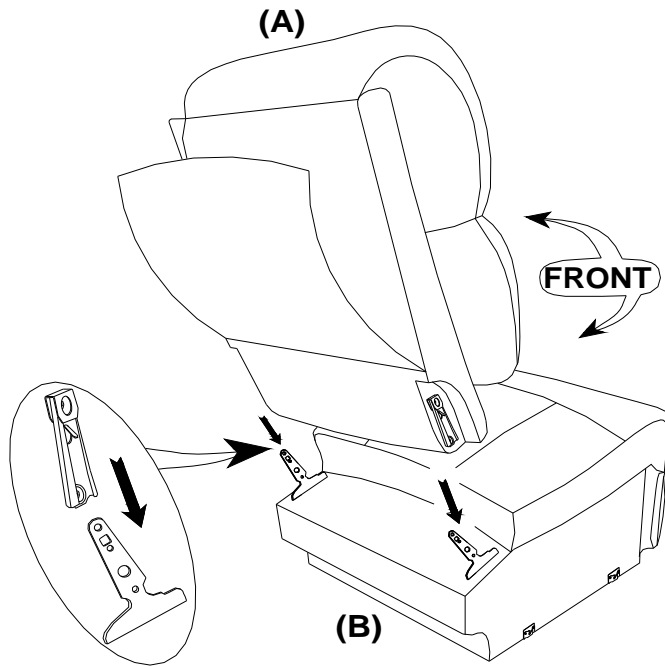
B BASE OF ARMLESS CHAIR



1PC

ASSEMBLY INSTRUCTIONS

STEP 1



ITEM : 609540WDG



ASSEMBLY INSTRUCTIONS

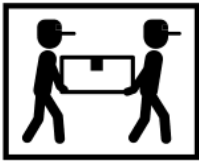
ASSEMBLY TIPS:

- 1.Remove hardware from box and sort by size.
- 2.Please check to see that all hardware and parts are present prior to start of assembly.
- 3.Please follow attached instruction in the same sequence as numbered to assure fast & easy assembly.



WARNING!

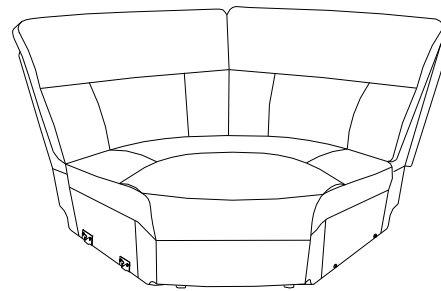
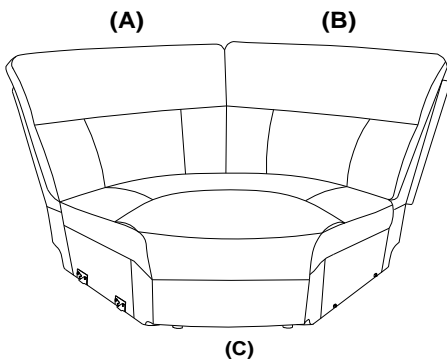
- 1.Don't attempt to repair or modify parts that are broken or defective. Please contact the store immediately.
- 2.This product is for home use only and not intended for commercial establishment.



ASSEMBLY TIME

5 MINUTES

PARTS IDENTIFICATION



A LEFT BACK



1PC

B RIGHT BACK



1PC

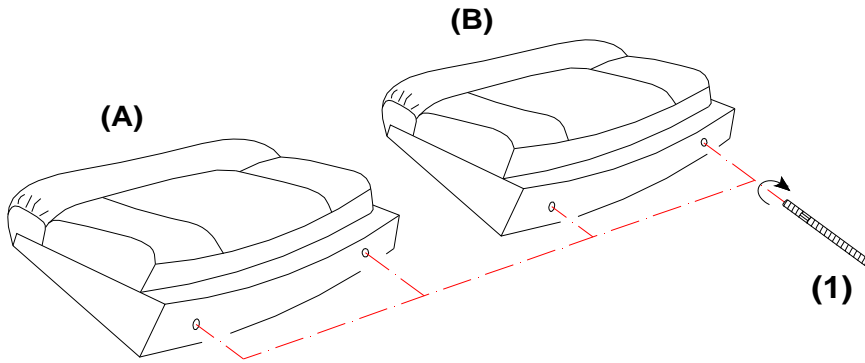
C BASE OF WEDGE



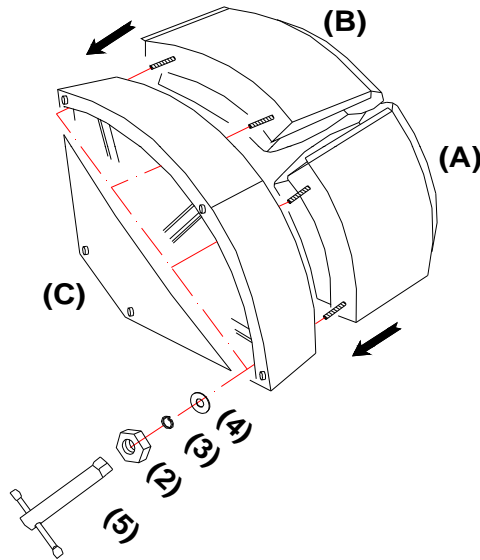
1PC

Z		HARDWARE PACKAGE	
NO	DESCRIPTION	FIGURE	QTY
1	THREADED RODS 5/16" * 100mm		4PCS
2	HEXAGON NUTS 5/16" * 13.5mm		4PCS
3	LOCK WASHER 5/16" * 13mm		4PCS+1PC SPARE
4	FLAT WASHER 5/16" * 19mm		4PCS+1PC SPARE
5	WRENCH 5/16"		1PC

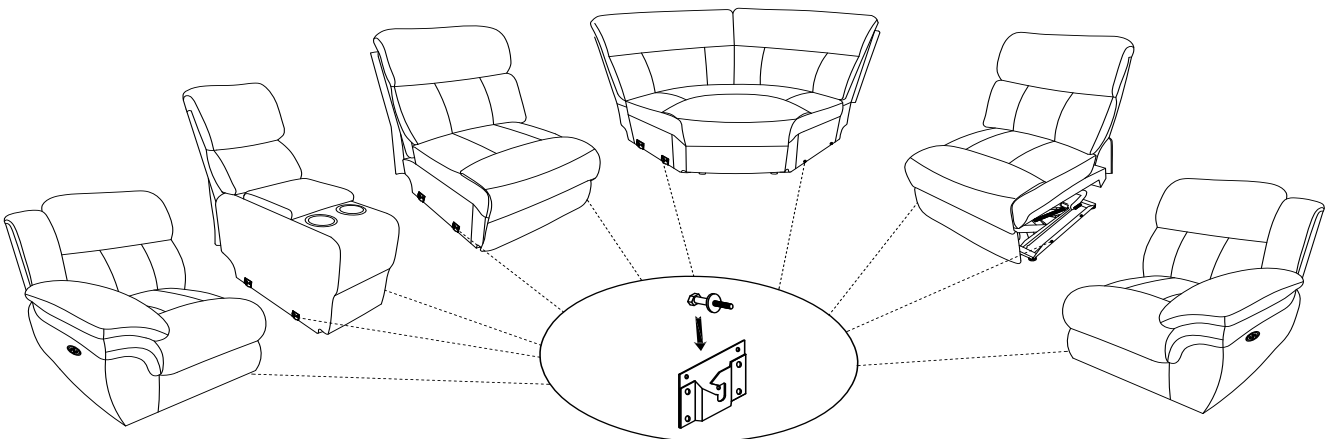
STEP 1



STEP 2



STEP 3



ITEM : 609540ARP



ASSEMBLY INSTRUCTIONS

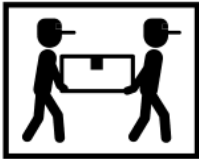
ASSEMBLY TIPS:

- 1.Remove hardware from box and sort by size.
- 2.Please check to see that all hardware and parts are present prior to start of assembly.
- 3.Please follow attached instruction in the same sequence as numbered to assure fast & easy assembly.



WARNING!

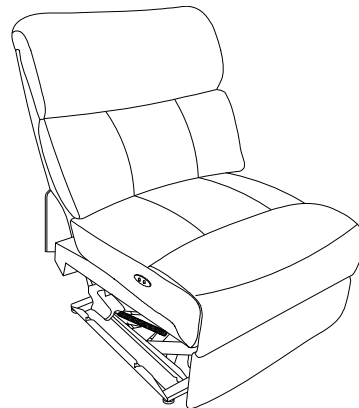
- 1.Don't attempt to repair or modify parts that are broken or defective. Please contact the store immediately.
- 2.This product is for home use only and not intended for commercial establishment.



ASSEMBLY TIME

2 MINUTES

PARTS IDENTIFICATION



A BACK



1PC

B BASE



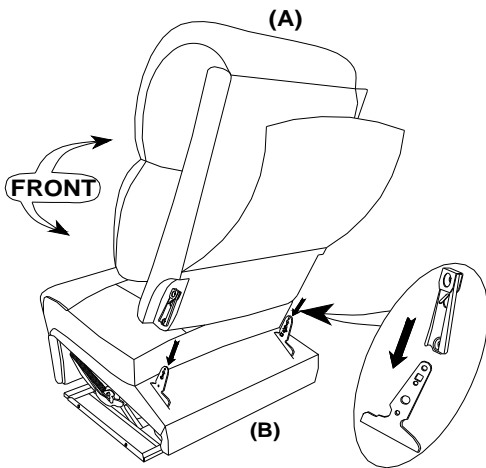
1PC

C PLUG-IN POWER SUPPLY

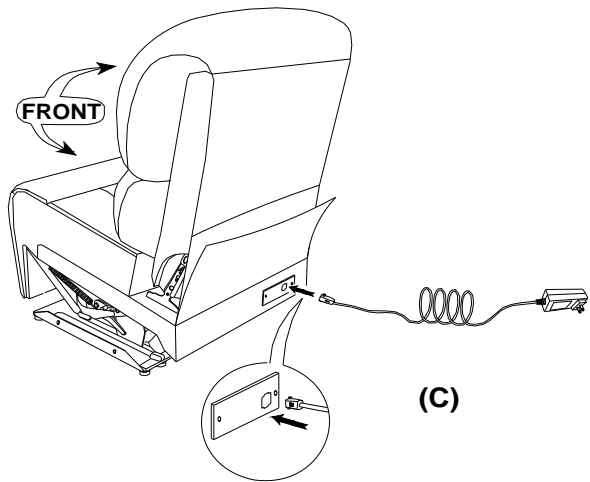


1PC

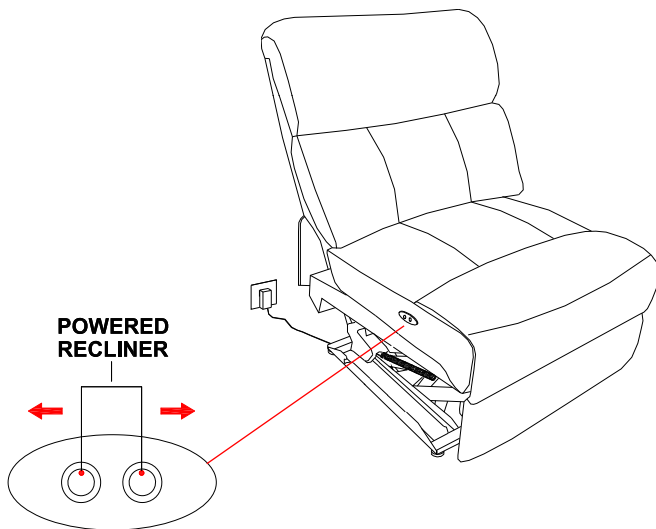
STEP 1



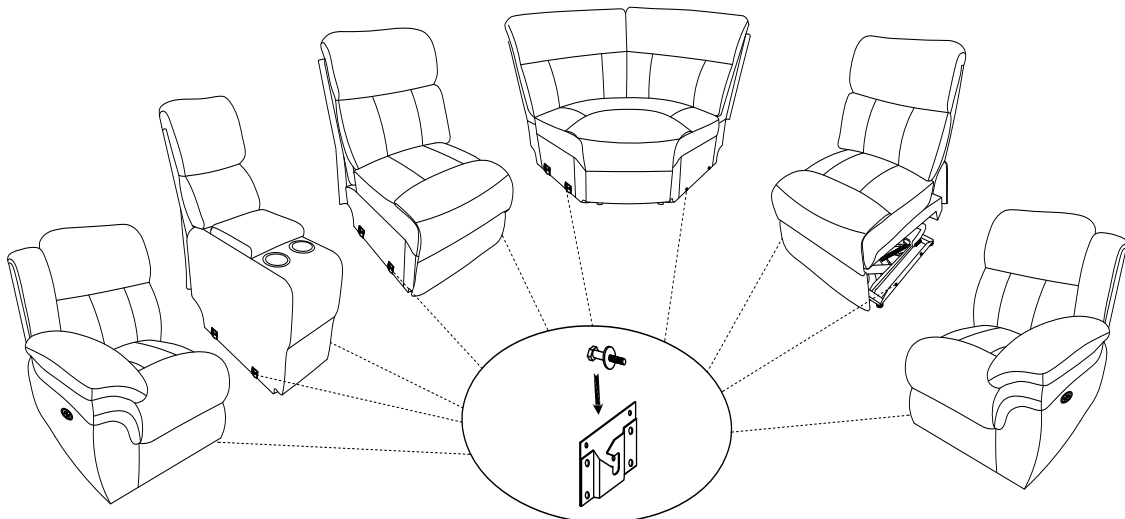
STEP 2



STEP 3



STEP 4



ITEM : 609540RRP

ASSEMBLY INSTRUCTIONS



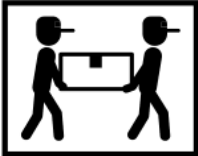
ASSEMBLY TIPS:

- 1.Remove hardware from box and sort by size.
- 2.Please check to see that all hardware and parts are present prior to start of assembly.
- 3.Please follow attached instruction in the same sequence as numbered to assure fast & easy assembly.



WARNING!

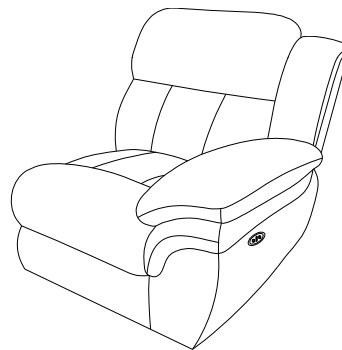
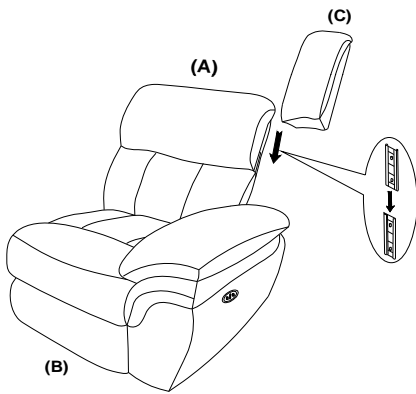
- 1.Don't attempt to repair or modify parts that are broken or defective. Please contact the store immediately.
- 2.This product is for home use only and not intended for commercial establishment.



ASSEMBLY TIME

5 MINUTES

PARTS IDENTIFICATION



A BACK



1PC

B BASE



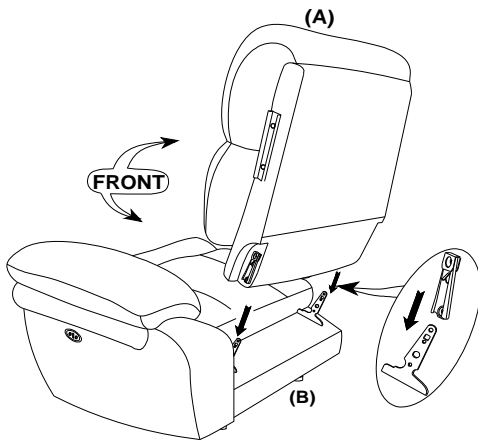
1PC

C LEFT EAR

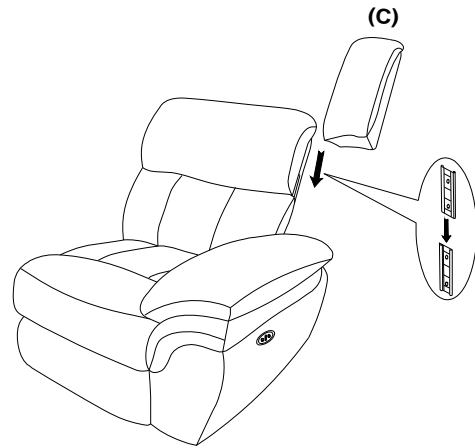


1PC

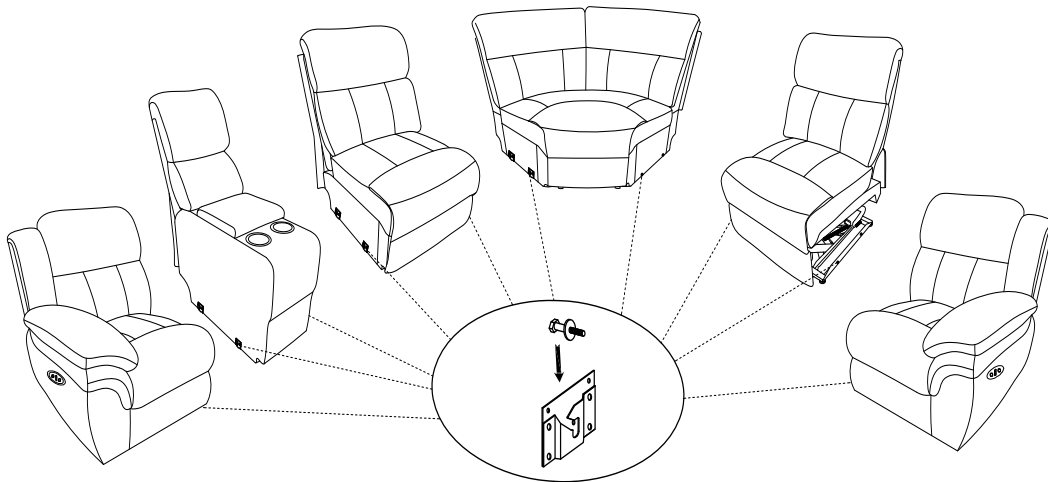
STEP 1



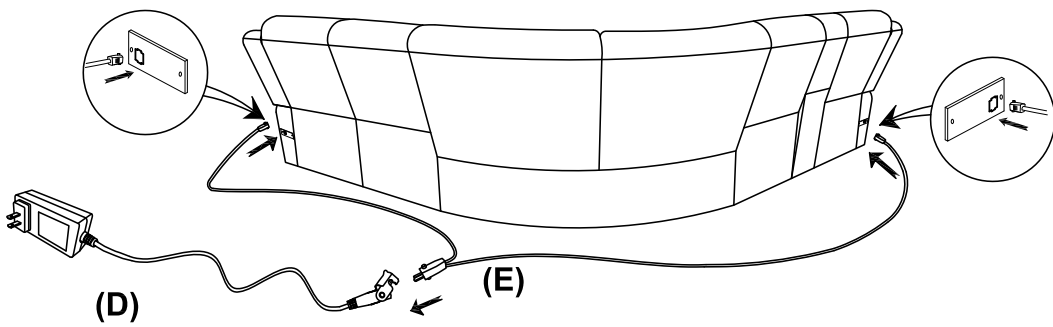
STEP 2



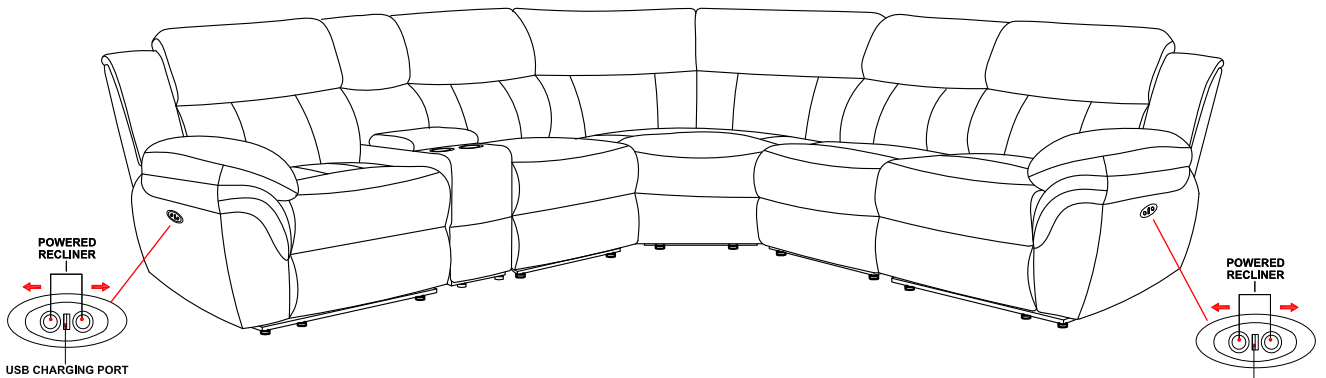
STEP 3



STEP 4



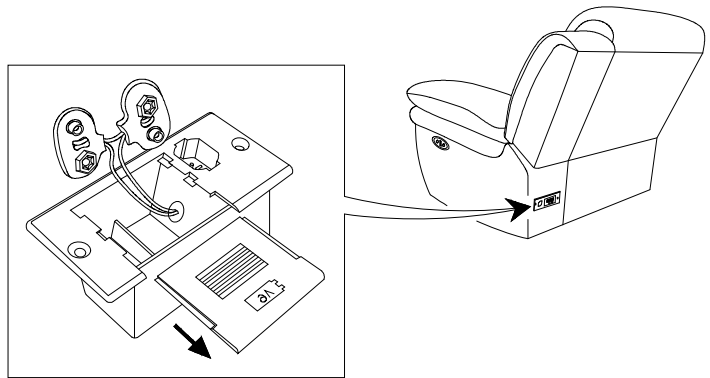
STEP 5



Please follow below steps to install the 9V batteries when there is no power to operate the motion sofa. (Any model of 9V battery is applicable)

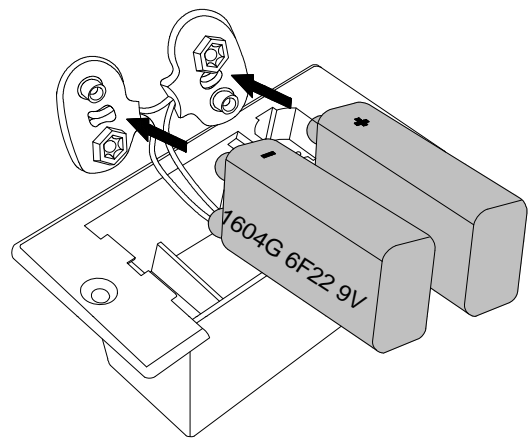
STEP 1

Open the marked battery door on the backup battery box.



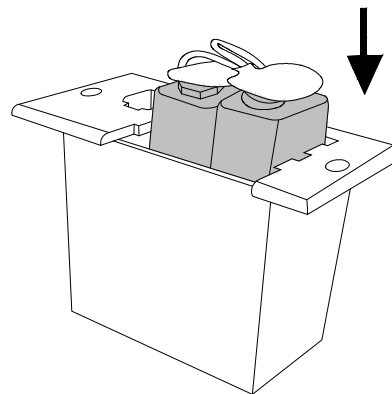
STEP 2

Install two 9V batteries in the backup battery box. (batteries are not included)



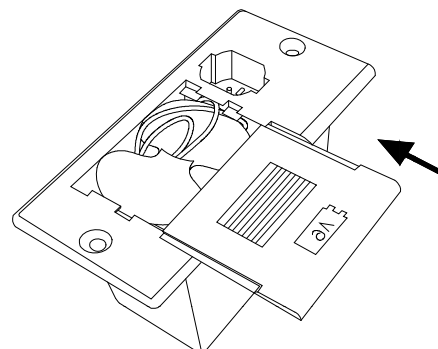
STEP 3

Push the batteries in.



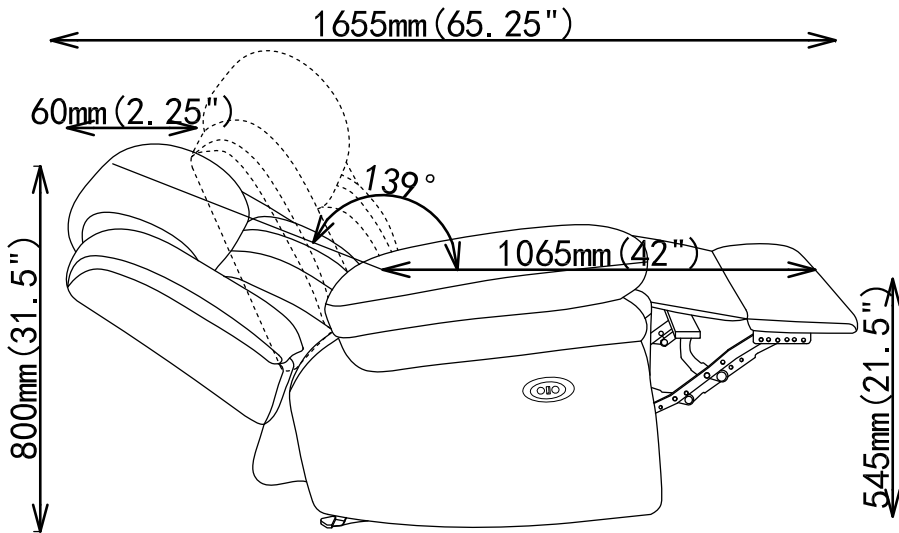
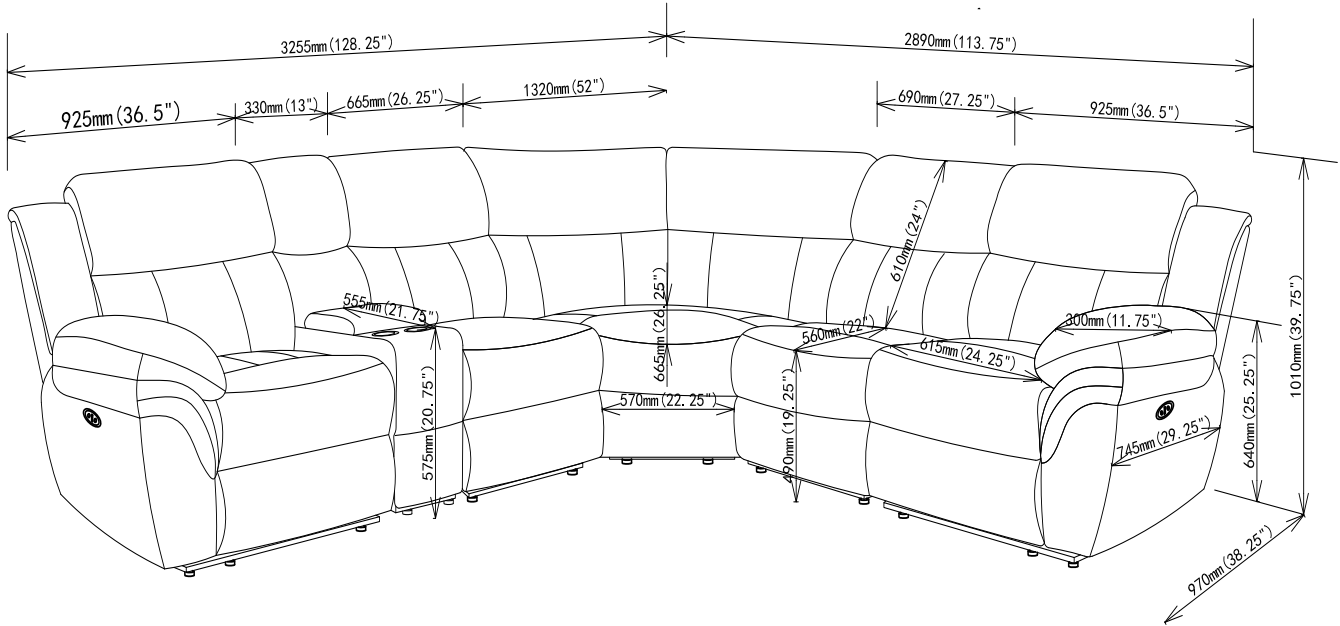
STEP 4

Close the box door.



Notice: Please don't keep the battery in the box when the power motion sofa is under daily use with power supply.

609540P



Note: Dimension tolerance ±5%

COASTERFURNITURE.COM