

*ASSEMBLY INSTRUCTIONS*  
*COASTER FINE FURNITURE*



*Fine Furniture for every stage of life*

ITEM:115141



# ASSEMBLY INSTRUCTIONS

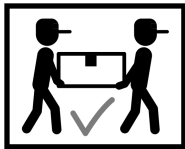
## ASSEMBLY TIPS:

1. Remove hardware from box and sort by size.
2. Please check to see that all hardware and parts are present prior to start of assembly.
3. Please follow attached instructions in the same sequence as numbered to assure fast & easy assembly.



### WARNING!

1. Don't attempt to repair or modify parts that are broken or defective. Please contact the store immediately.
2. This product is for home use only and not intended for commercial establishments.

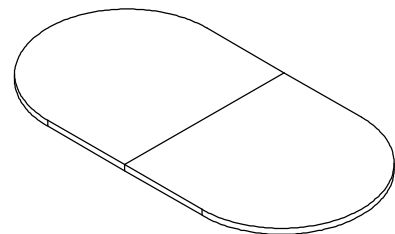


ASSEMBLY TIME 30 MINUTES

## PARTS IDENTIFICATION

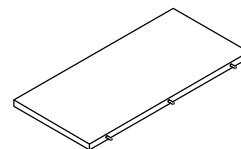
### B1: DINING TABLE TOP

A TOP PANEL



1PC

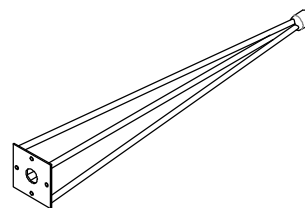
B MIDDLE PANEL



1PC

### B2: DINING TABLE BASE

C LEG



4PCS

Z

## HARDWARE IDENTIFICATION

1 BOLT  
(1/4" x 12mm SR)



16PCS

3 ALLEN WRENCH  
(4mm)



1PC

2 CAP  
(Ø30mm BLK)



4PCS

Hardware pack is located in 115141B2

PAGE 2 OF 5

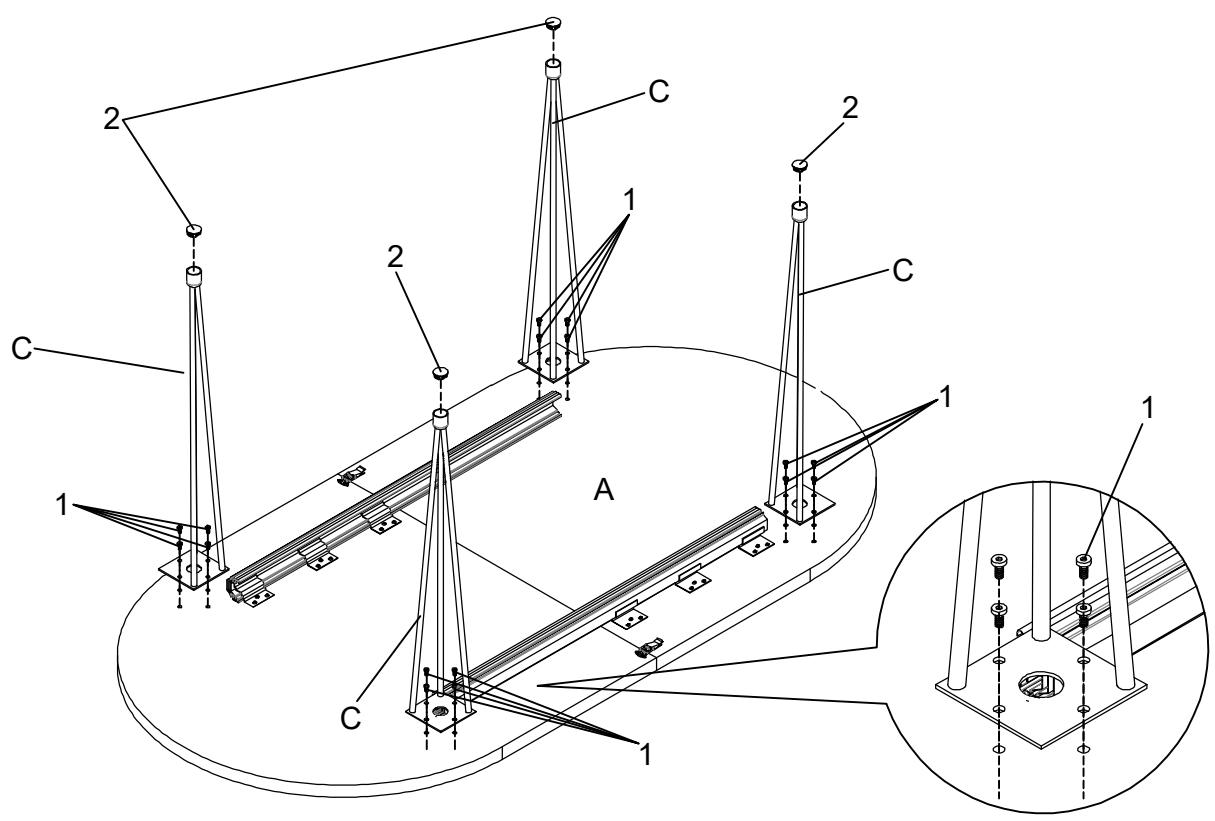
COASTERFURNITURE.COM

ITEM:115141

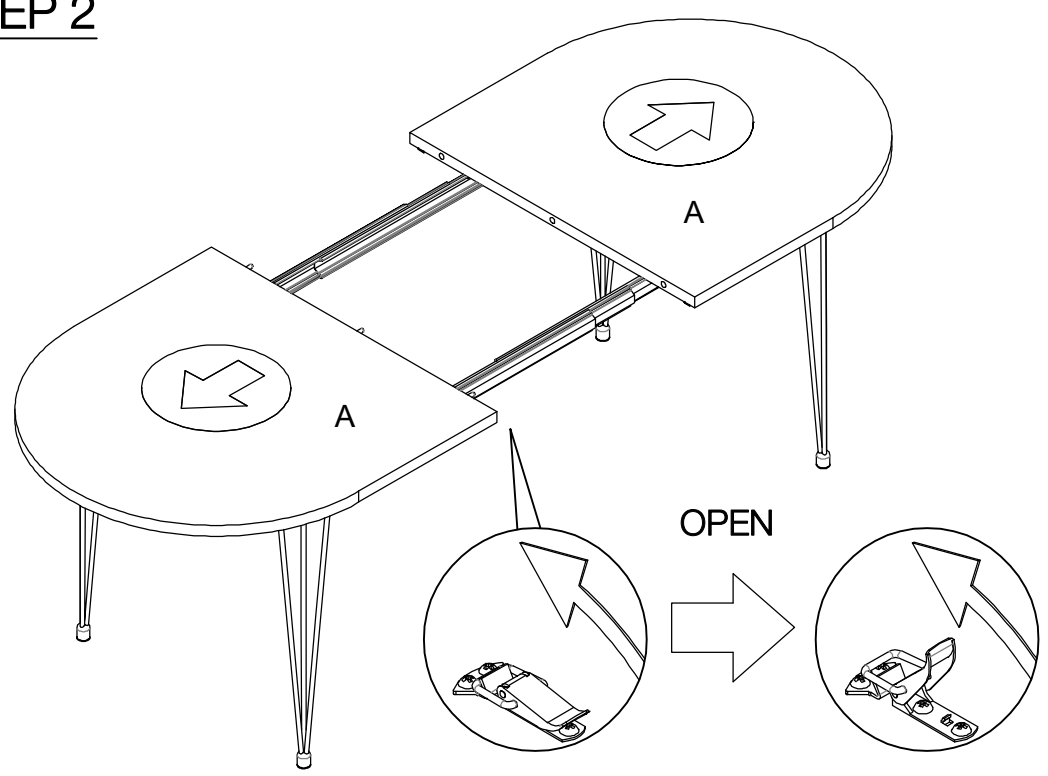


# ASSEMBLY INSTRUCTIONS

**STEP 1** Do not tighten until each step is completed or instructed.



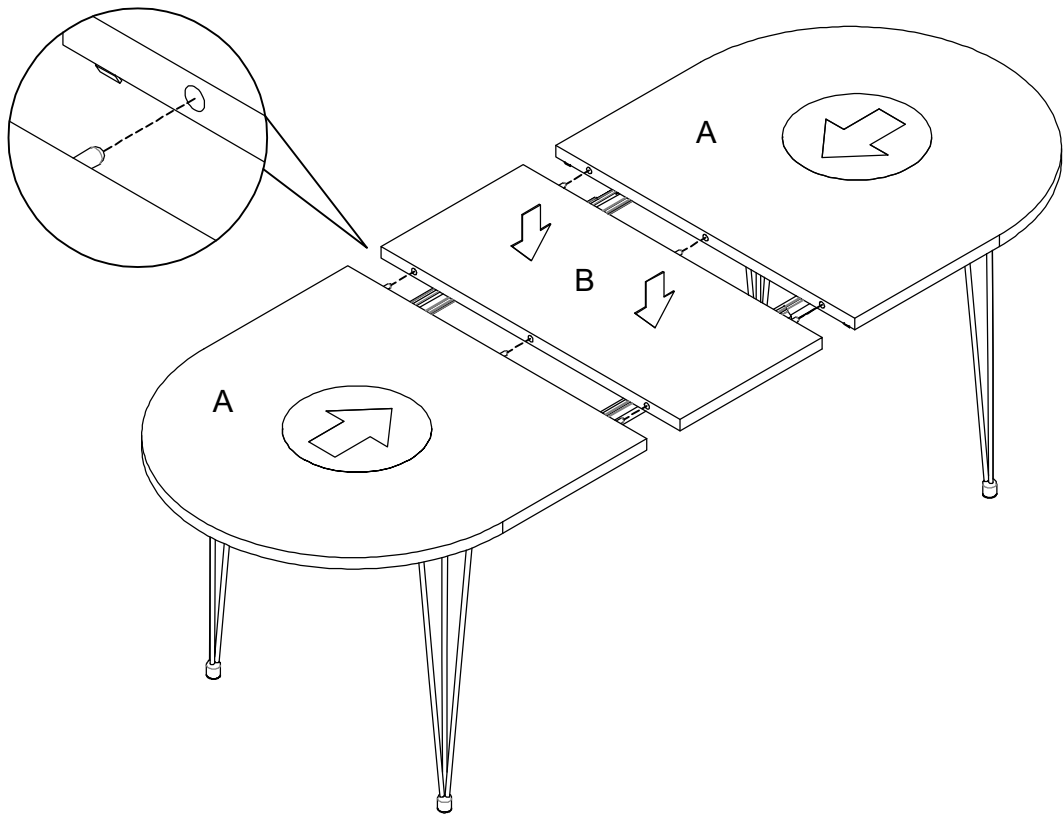
## STEP 2



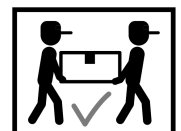
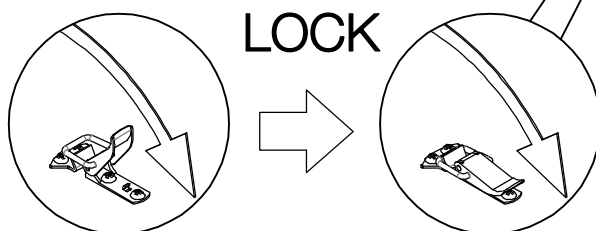
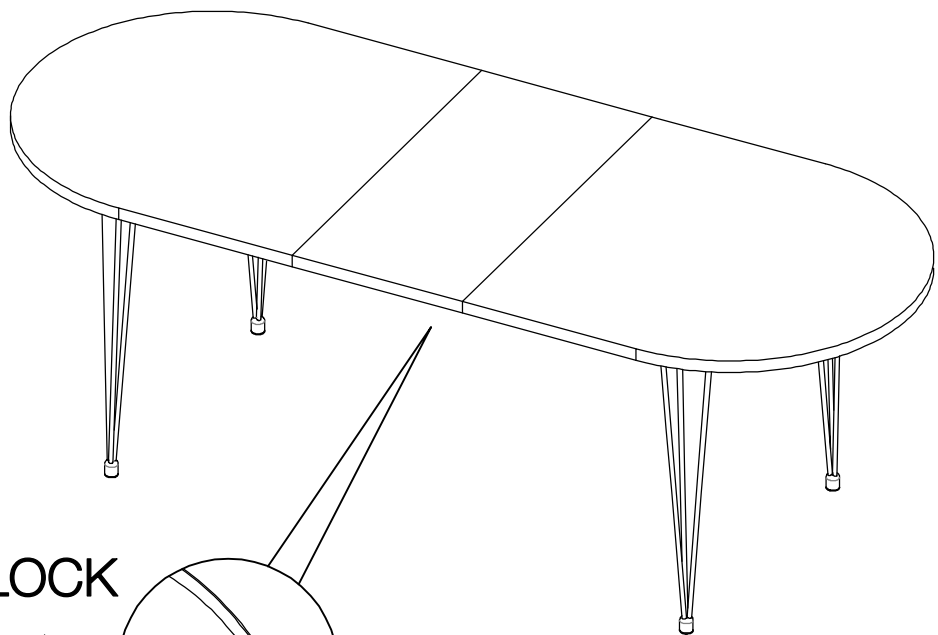
ITEM:115141

# ASSEMBLY INSTRUCTIONS

## STEP 3



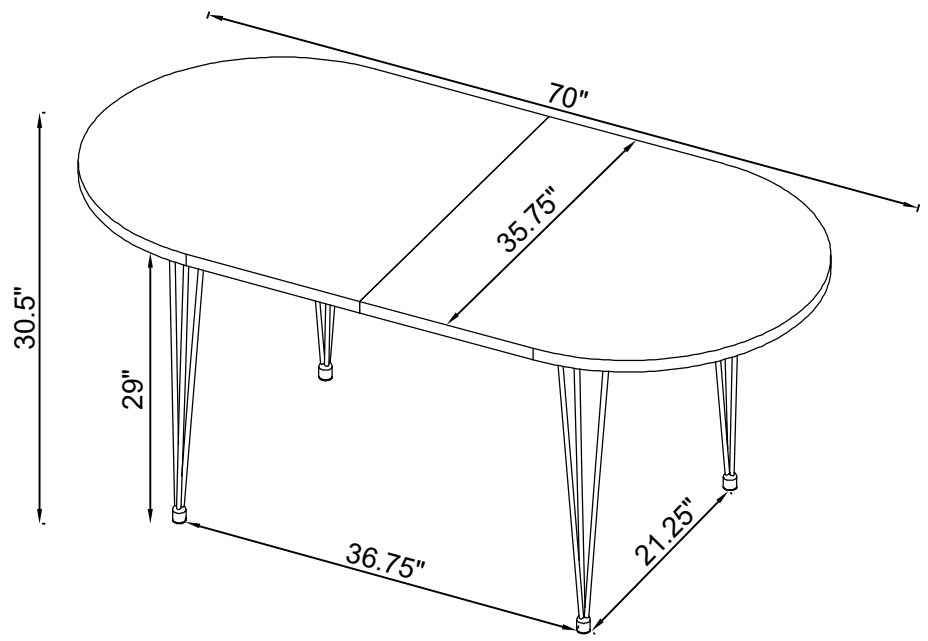
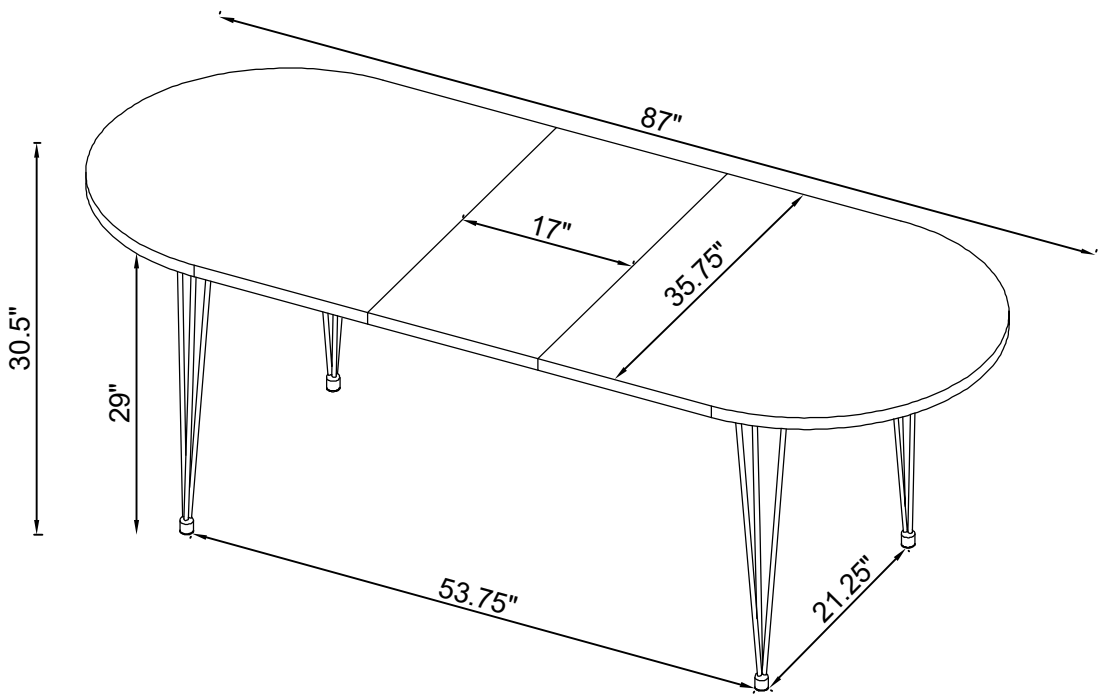
## STEP 4 COMPLETE



# ITEM:115141 ASSEMBLY INSTRUCTIONS



Product Size : 2210 X 908 X 775 H (MM)
Product Size : 87" X 35.75" X 30.5"



Note : Dimension tolerance  $\pm 5\%$