

ASSEMBLY INSTRUCTIONS
COASTER FINE FURNITURE



Fine Furniture for every stage of life

800222
COMPUTER DESK

REVISION 0 : 10/13/2017
REVISION 1 : 07/12/2022

ITEM: 800222



ASSEMBLY INSTRUCTIONS

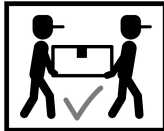
ASSEMBLY TIPS:

1. Remove hardware from box and sort by size.
2. Please check to see that all hardware and parts are present prior to start of assembly.
3. Please follow attached instructions in the same sequence as numbered to assure fast & easy assembly.



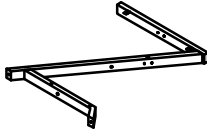
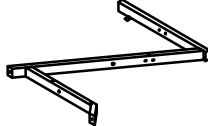


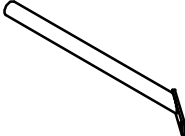
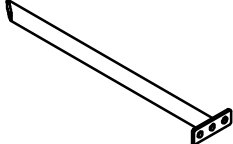
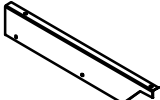
WARNING!

1. Don't attempt to repair or modify parts that are broken or defective. Please contact the store immediately.
2. This product is for home use only and not intended for commercial establishments.



ASSEMBLY TIME 50 MINUTES

PARTS IDENTIFICATION

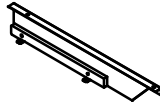
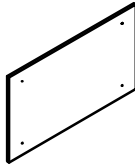
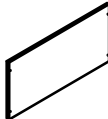
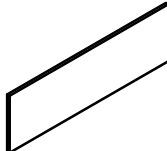
A	LEFT LEG		1PC
B	RIGHT LEG		1PC
C	BACK SUPPORT BAR		1PC
D	TOP CROSSBAR		2PCS
E	LEG DOWN SUPPORT BAR		2PCS
F	LEG UP SUPPORT BAR		2PCS
G	LEFT KEYBOARD SLIDER		1PC

ITEM: 800222






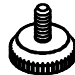




ASSEMBLY INSTRUCTIONS

PARTS IDENTIFICATION



H	RIGHT KEYBOARD SLIDER		1PC
I	TOP WOOD		1PC
J	KEYBOARD WOOD		1PC
K	BOTTOM LAYER WOOD		1PC

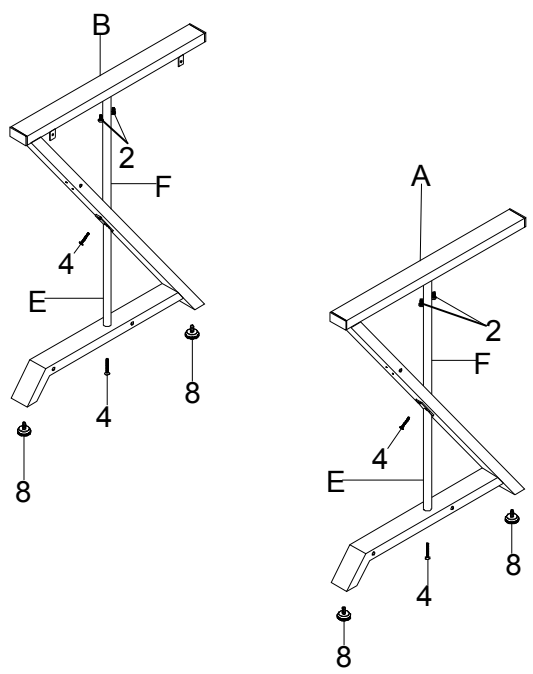
HARDWARE IDENTIFICATION

1	ALLEN BOLT (1/4" x 70mm)		2PCS	6	MACHINE SCREW (4x26mm)		4PCS
2	ALLEN BOLT (1/4" x 13mm)		8PCS	7	BOLT (4x12mm)		4PCS
3	ALLEN BOLT (1/4" x 8mm)		4PCS	8	FLOOR LEVELER (5/16" x 15mm)		4PCS
4	ALLEN BOLT (1/4" x 38mm)		4PCS	9	BOLT (3/16" x 10mm)		4PCS
5	MACHINE SCREW (7x70mm)		4PCS	10	ALLEN WRENCH (4mm)		1PC

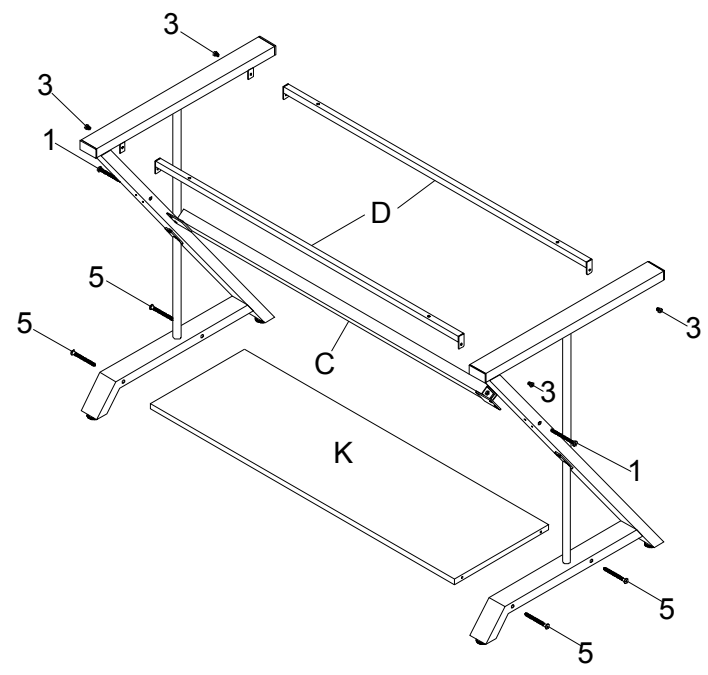
ITEM: 800222 ASSEMBLY INSTRUCTIONS



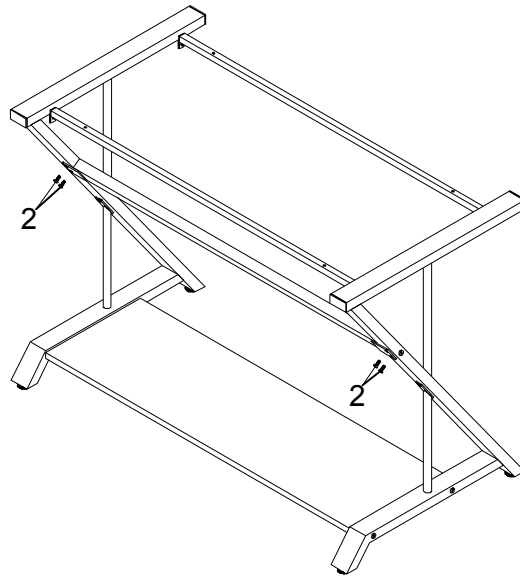
STEP 1 Do not tighten until each step is completed or instructed.



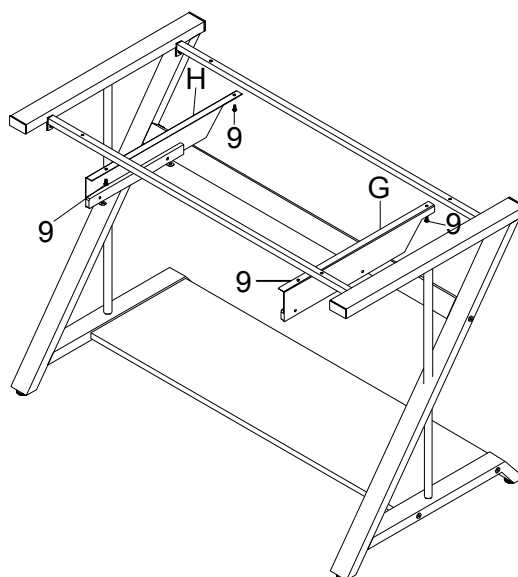
STEP 2



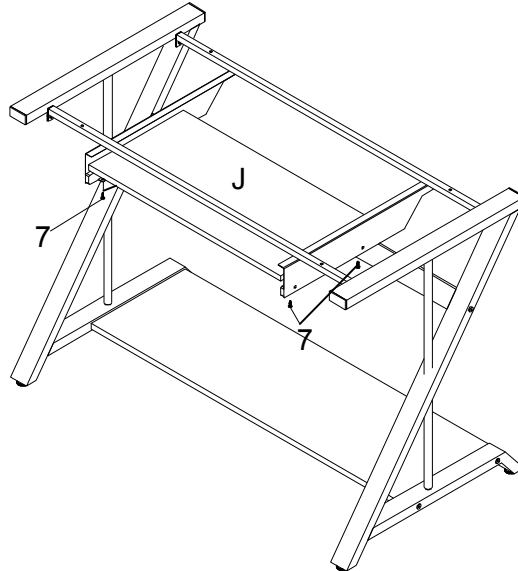
ITEM: 800222
ASSEMBLY INSTRUCTIONS
STEP 3



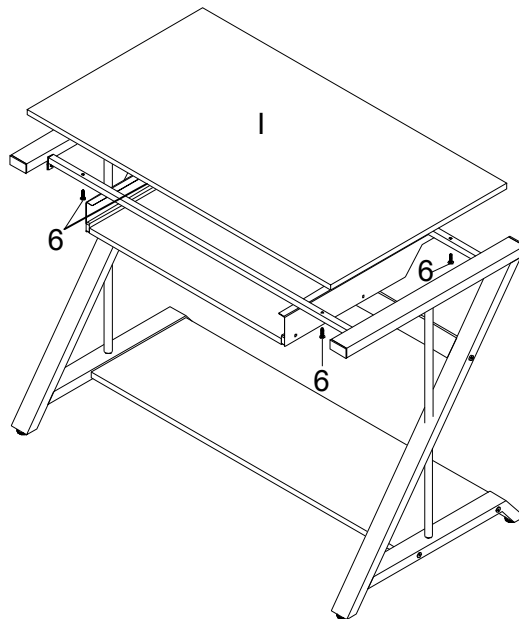
STEP 4



ITEM: 800222
ASSEMBLY INSTRUCTIONS
STEP 5



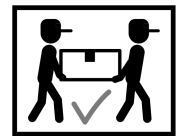
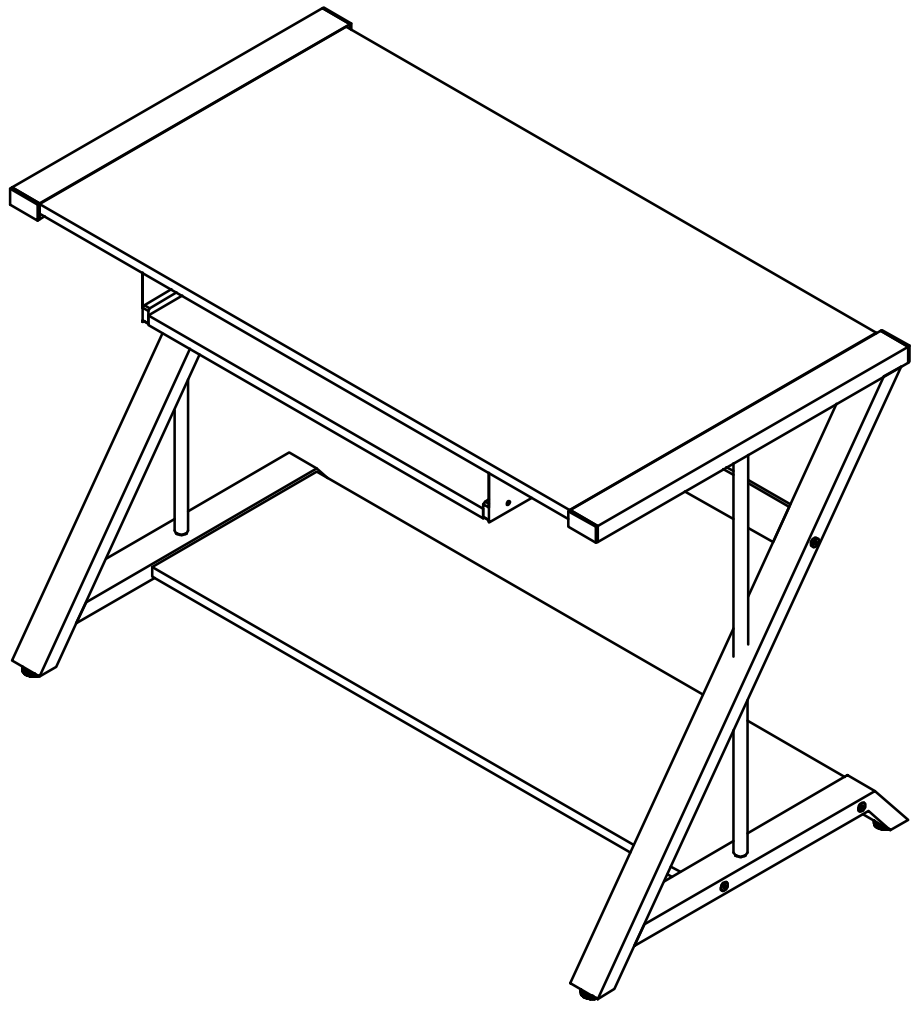
STEP 6



ITEM: 800222
ASSEMBLY INSTRUCTIONS



STEP 7
COMPLETE



ITEM:800222 ASSEMBLY INSTRUCTIONS



Product Size : 1065 X 565 X 760 H (MM)
Product Size : 42" X 22 1/4" X 30"

