

ASSEMBLY INSTRUCTIONS
COASTER FINE FURNITURE



Fine Furniture for every stage of life

800436
COMPUTER DESK

REVISION 0 : 11/29/2017
REVISION 1 : 07/13/2022

ITEM: 800436



ASSEMBLY INSTRUCTIONS

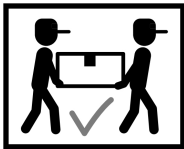
ASSEMBLY TIPS:

1. Remove hardware from box and sort by size.
2. Please check to see that all hardware and parts are present prior to start of assembly.
3. Please follow attached instructions in the same sequence as numbered to assure fast & easy assembly.



WARNING!

1. Don't attempt to repair or modify parts that are broken or defective. Please contact the store immediately.
2. This product is for home use only and not intended for commercial establishments.



ASSEMBLY TIME 70 MINUTES

PARTS IDENTIFICATION

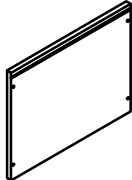
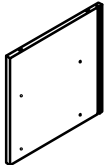
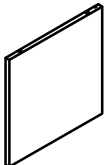
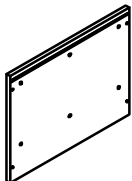
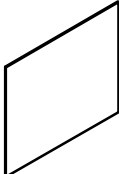
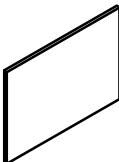
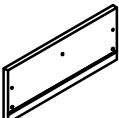
A	FRAME		1PC
B	FRAME		1PC
C	BACK PAENL		1PC
D	IRON TUBE		2PCS
E	GLASS TOP		1PC
F	BRACE		1PC

ITEM: 800436

ASSEMBLY INSTRUCTIONS

PARTS IDENTIFICATION



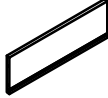
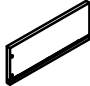
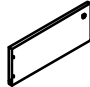
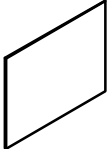

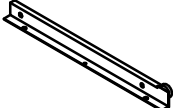

G	CABINET BOTTOM		1PC
H	CABINET SIDE PANEL		1PC
I	CABINET SIDE PAENL		1PC
J	CABINET TOP		1PC
K	CABINET BACK PANEL		1PC
L	KEYBOARD		1PC
M	DRAWER DOOR PANEL		2PCS

ITEM: 800436



ASSEMBLY INSTRUCTIONS

PARTS IDENTIFICATION

N	DRAWER BACK PANEL		2PCS
O	DRAWER SIDE PANEL		2PCS
P	DRAWER SIDE PANEL		2PCS
Q	DRAWER BOTTOM		2PCS
R	SIDE GLIDE RAILS		2PCS
S	SIDE GLIDE RAILS		2PCS
T	SIDE GLIDE RAILS		2PCS

ITEM:800436


















ASSEMBLY INSTRUCTIONS

PARTS IDENTIFICATION

U	SIDE GLIDE RAILS		2PCS
V	SIDE GLIDE RAILS		2PCS

HARDWARE IDENTIFICATION

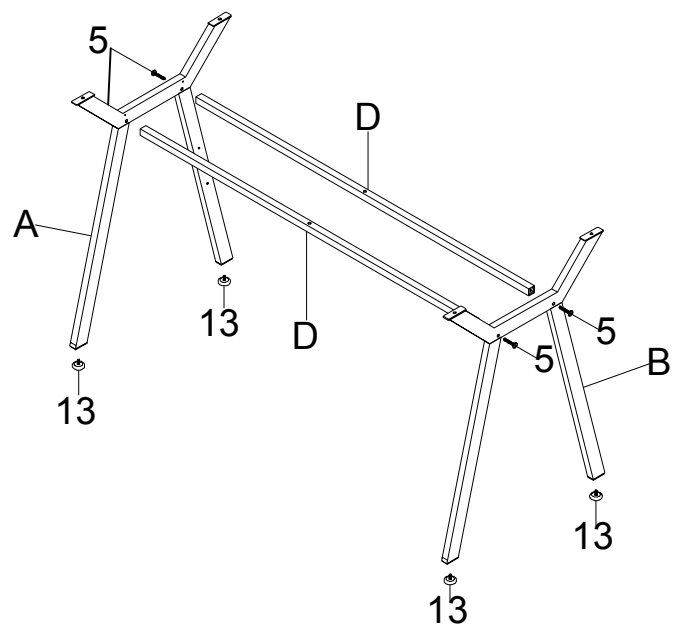
1	WOOD DOWEL (6 x 30mm)		4PCS	9	SUCTION CUP (ϕ 20mm)		6PCS
2	BOLT (3/16" x 10mm BLK)		4PCS	10	SCREW (4 x 38mm BLK)		16PCS
3	BOLT (1/4" x 12mm BLK)		4PCS	11	SCREW (3.5 x 12mm BLK)		24PCS
4	BOLT (1/4" x 28mm BLK)		8PCS	12	DOWEL (38mm)		4PCS
5	BOLT (1/4" x 38mm BLK)		4PCS	13	FOOT PAD (1/4" x 12mm)		4PCS
6	BOLT (4 x 20mm)		2PCS	14	ALLEN WRENCH (4mm)		1PC
7	HANDLE		2PCS	15	GLUE		1PC
8	CAM LOCK (ϕ 12mm)		4PCS				

ITEM: 800436

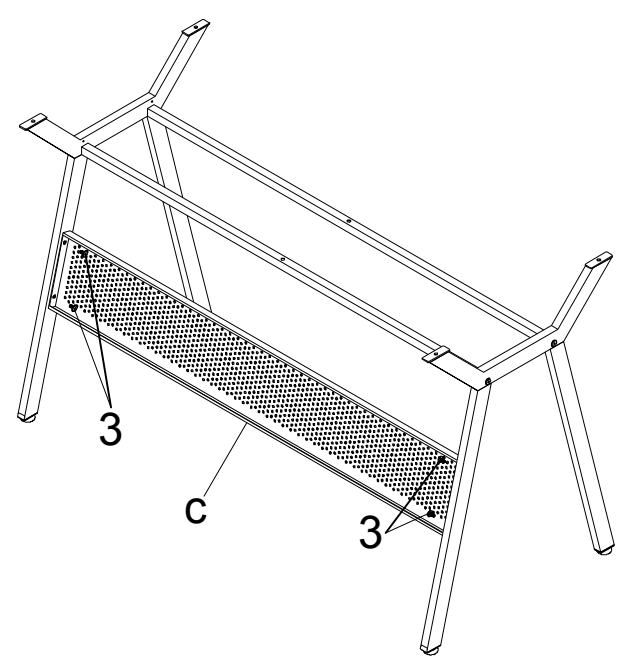


ASSEMBLY INSTRUCTIONS

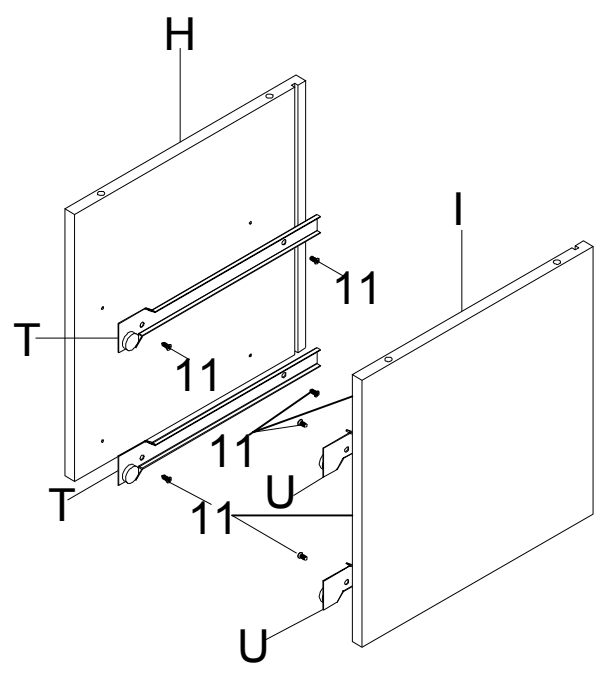
STEP 1 Do not tighten until each step is completed or instructed.



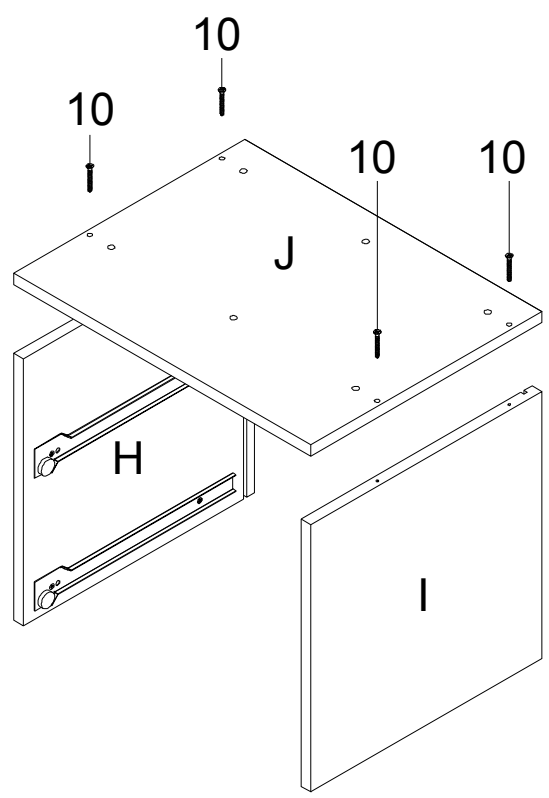
STEP 2



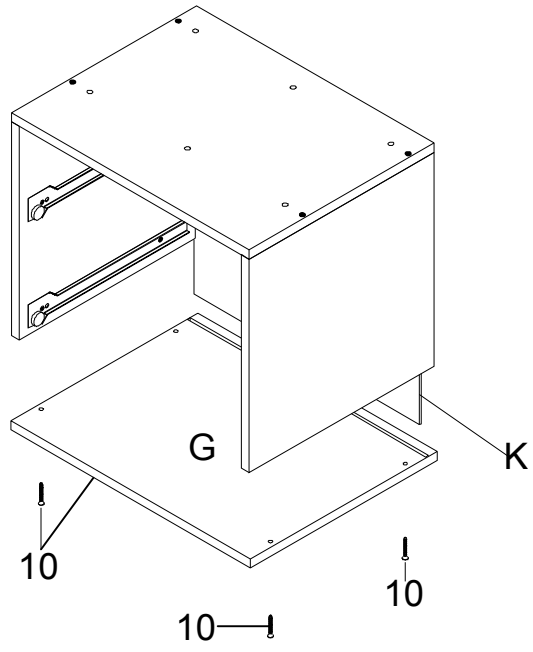
ITEM: 800436
ASSEMBLY INSTRUCTIONS
STEP 3



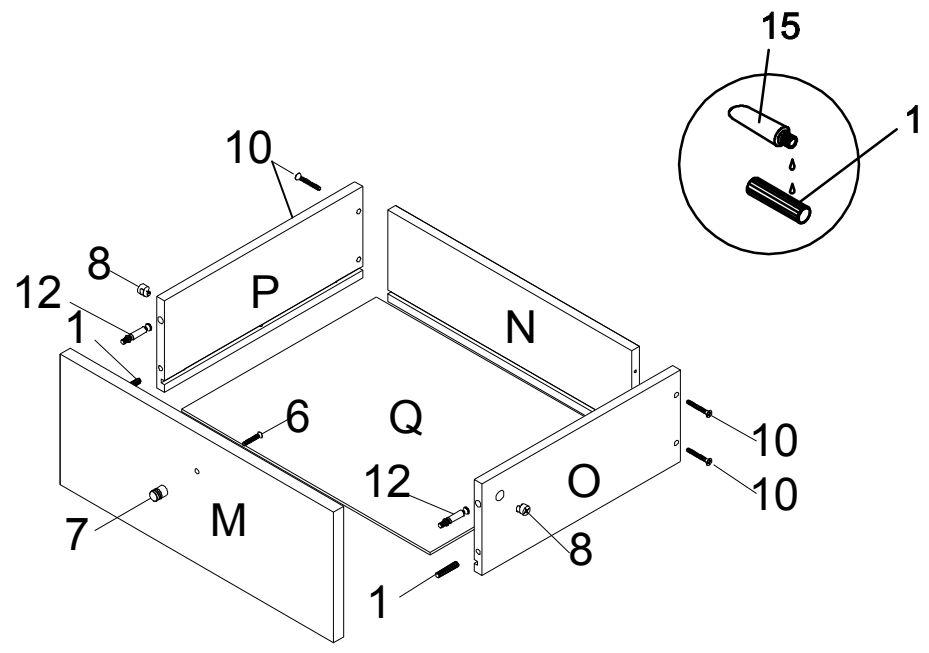
STEP 4



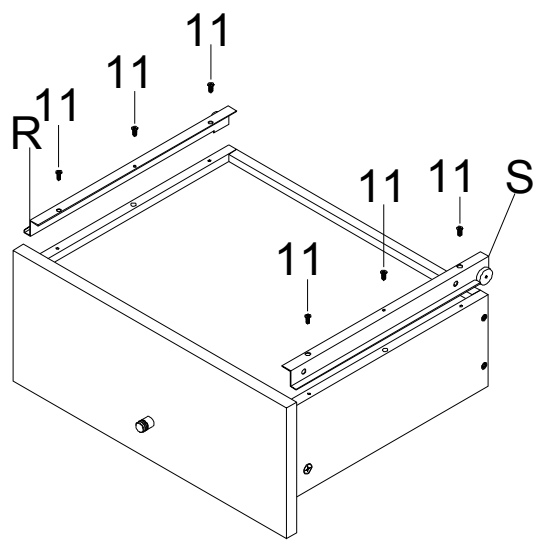
ITEM: 800436
ASSEMBLY INSTRUCTIONS
STEP 5



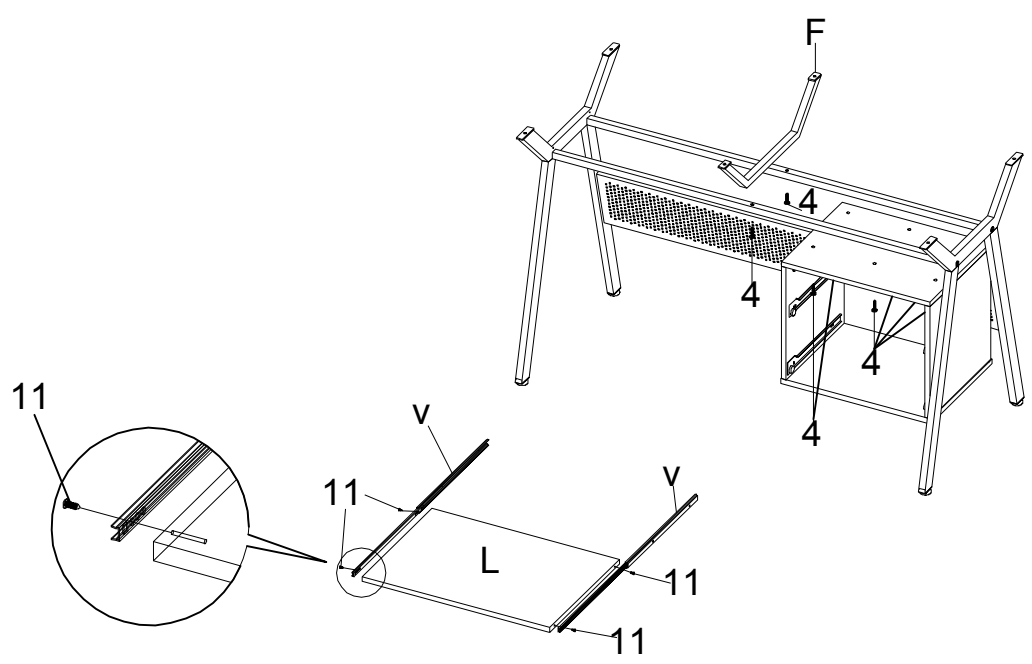
STEP 6



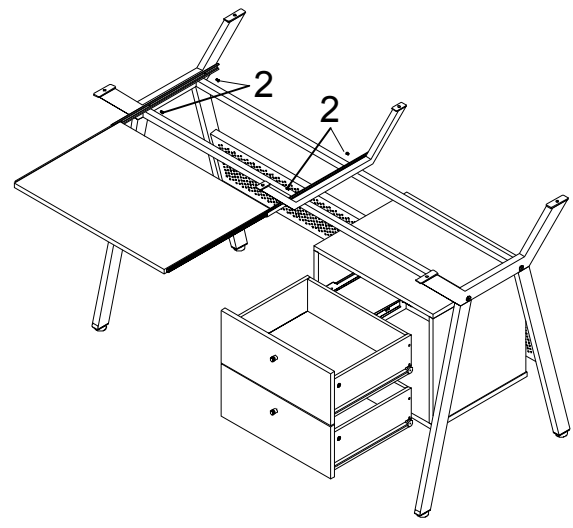
ITEM: 800436
ASSEMBLY INSTRUCTIONS
STEP 7



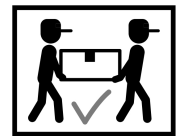
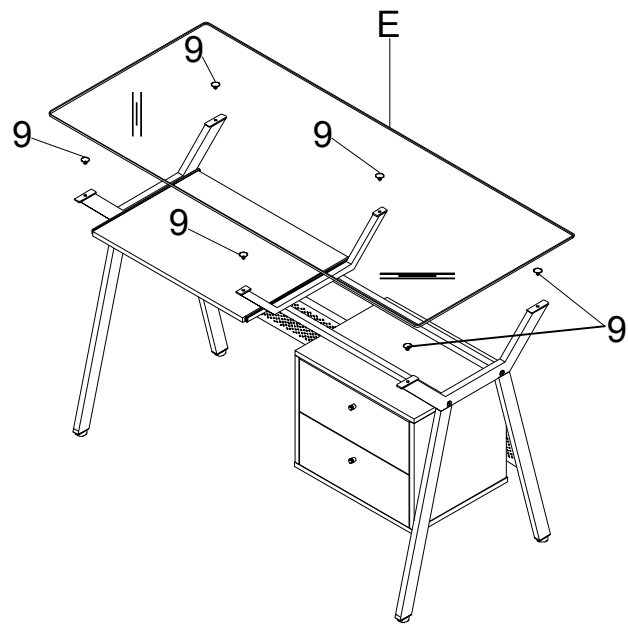
STEP 8



ITEM: 800436
ASSEMBLY INSTRUCTIONS
STEP 9



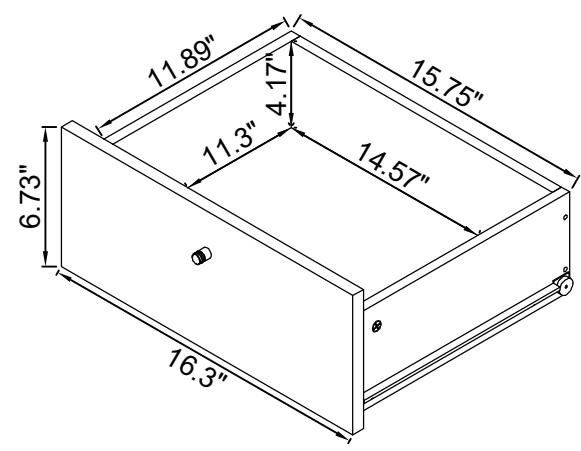
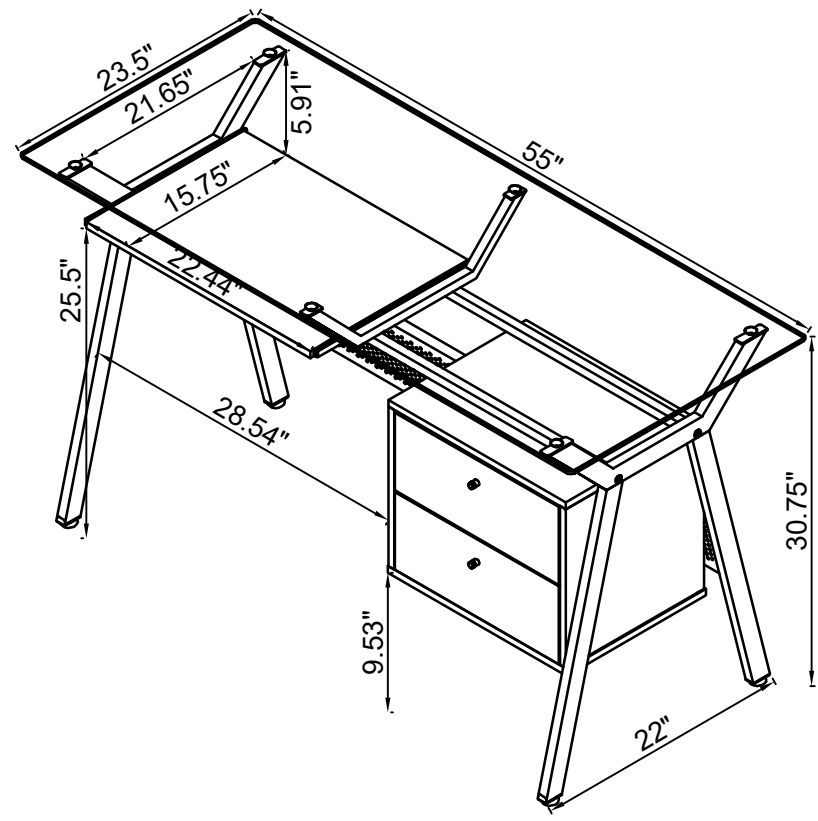
STEP 10
COMPLETE



ITEM:800436 ASSEMBLY INSTRUCTIONS



Product Size : 1398 X 597 X 781 H (MM)
Product Size : 55" X 23 1/2" X 30 3/4"



Note : Dimension tolerance $\pm 5\%$