

ASSEMBLY INSTRUCTIONS
COASTER FINE FURNITURE



Fine Furniture for every stage of life

800446
COMPUTER DESK

REVISION 0 : 10/05/2017
REVISION 1 : 07/12/2022

ITEM: 800446



ASSEMBLY INSTRUCTIONS

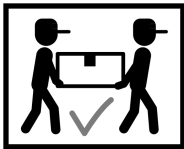
ASSEMBLY TIPS:

1. Remove hardware from box and sort by size.
2. Please check to see that all hardware and parts are present prior to start of assembly.
3. Please follow attached instructions in the same sequence as numbered to assure fast & easy assembly.



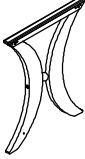


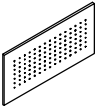
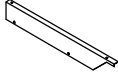

WARNING!

1. Don't attempt to repair or modify parts that are broken or defective. Please contact the store immediately.
2. This product is for home use only and not intended for commercial establishments.



ASSEMBLY TIME 70 MINUTES

PARTS IDENTIFICATION

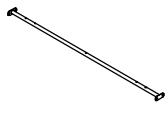
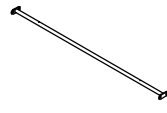
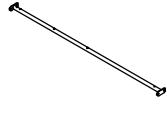
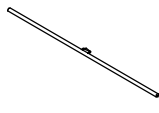
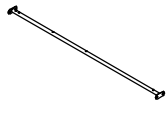

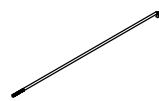
A	LEG		2PCS
B	COMPUTER DESK LEG-RIGHT		1PC
C	COMPUTER DESK LEG-LEFT		1PC
D	KEYBOARD		1PC
E	ANGLE IRON RIGHT		1PC
F	ANGLE IRON LEFT		1PC

ITEM: 800446

ASSEMBLY INSTRUCTIONS

PARTS IDENTIFICATION



G	COMPUTER FRONT SUPPORT		1PC
H	DESK FRONT SUPPORT		1PC
I	DESK BACK SUPPORT		1PC
J	BOTTOM SUPPORT		2PCS
K	COMPUTER BACK SUPPORT		1PC
L	TURNBUCKLE		4PCS
M	WIRE-LARGE		4PCS

ITEM: 800446 ASSEMBLY INSTRUCTIONS



N WIRE 4PCS



O CONNECT SUPPORT LARGE 1PC



P CONNECT SUPPORT 1PC



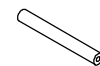
Q SHELF CROSSBAR 4PCS



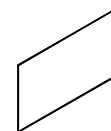
R SHELF BOARD 1PC



S BOTTOM SHELF CROSSBAR 2PCS



T TOP GLASS 2PCS



ITEM: 800446

ASSEMBLY INSTRUCTIONS



U FAN-SHAPED GLASS



1PC

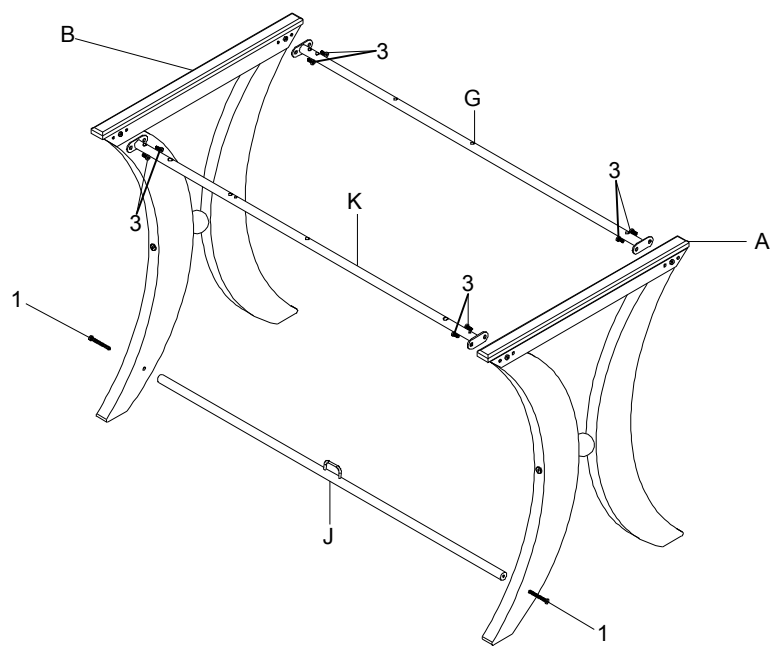
HARDWARE IDENTIFICATION

1	BOTTOM SUPPORT ALLEN-BOLT (1/4" x 50mm BLK)		4PCS	7	CONNECT BOLT (1/4" x 31mm BLK)		2PCS
2	ALLEN-BOLT LARGE (1/4" x 30mm BLK)		6PCS	8	SUCTION CUP (6mm)		15PCS
3	ALLEN-BOLT SMALL (1/4" x 15mm BLK)		24PCS	9	FLOOR LEVELER (1/4" x 30mm BLK)		2PCS
4	ALLEN-BOLT MEDIUM (1/4" x 22mm BLK)		1PC	10	HEXAGONAL KEY (10.5mm)		1PC
5	SCREW (4 x 12mm BLK)		4PCS	11	ALLEN WRENCH (4mm)		1PC
6	BOLT (3/16" x 10mm BLK)		4PCS				

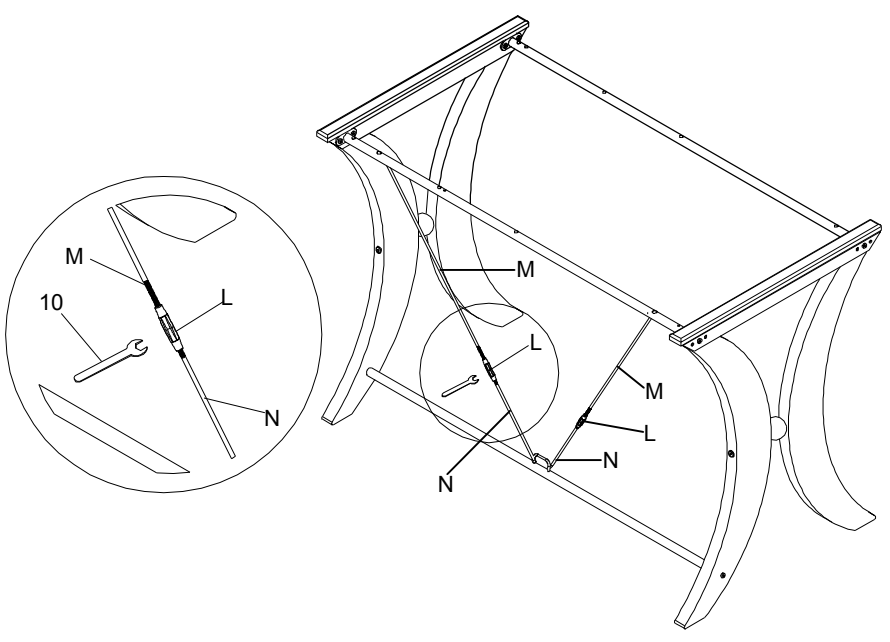
ITEM: 800446 ASSEMBLY INSTRUCTIONS



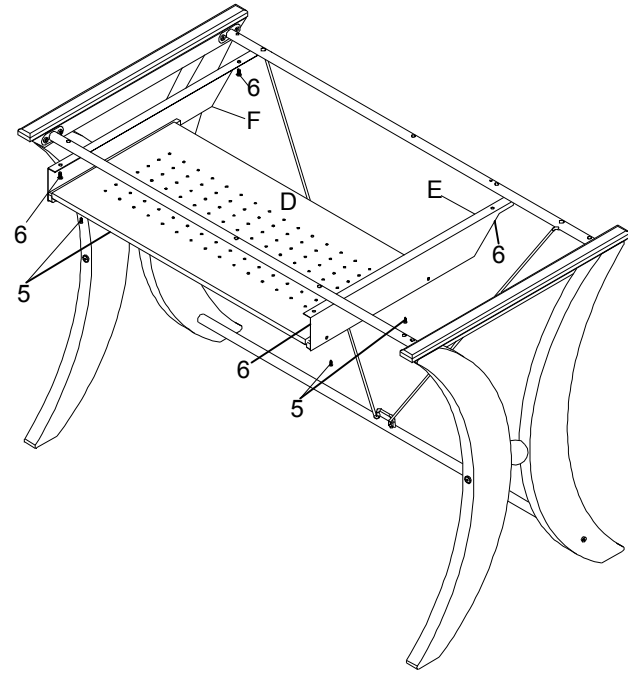
STEP 1 Do not tighten until each step is completed or instructed.



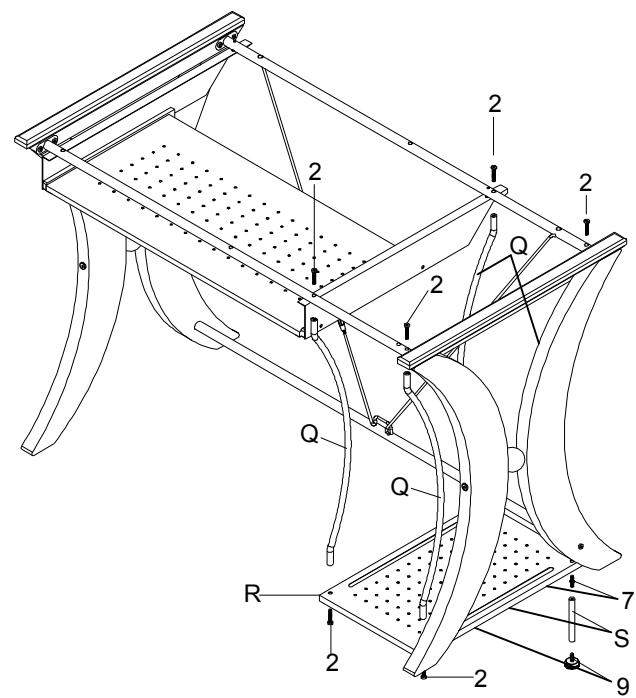
STEP 2



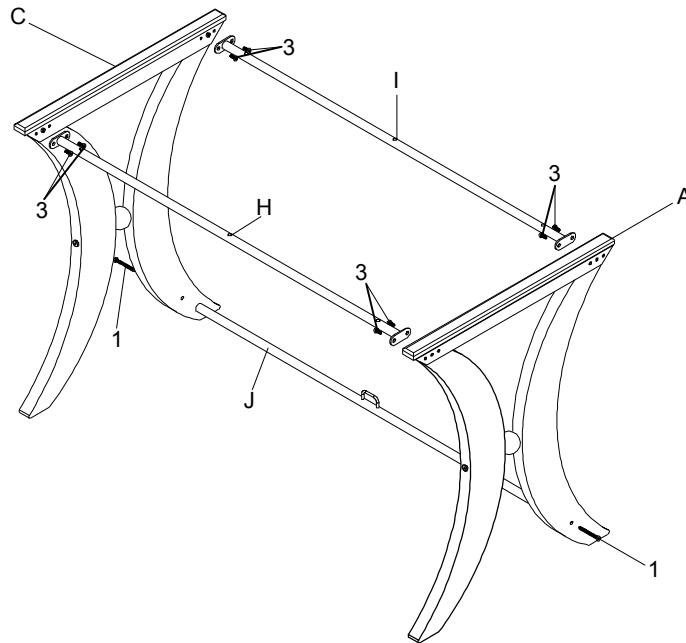
ITEM: 800446
ASSEMBLY INSTRUCTIONS
STEP 3



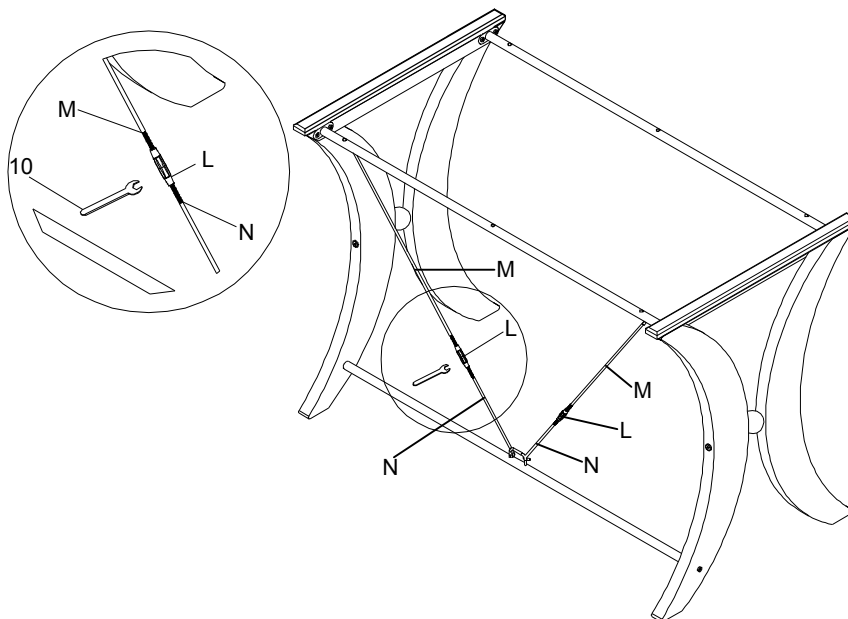
STEP 4



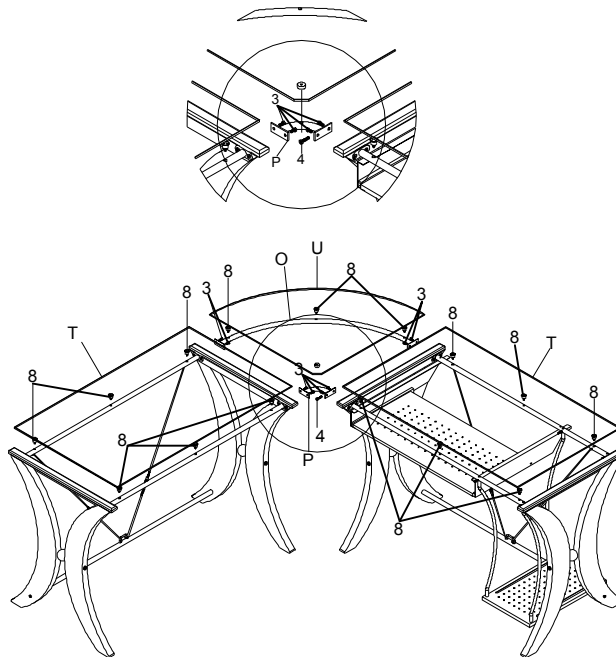
ITEM: 800446
ASSEMBLY INSTRUCTIONS
STEP 5



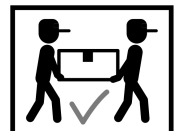
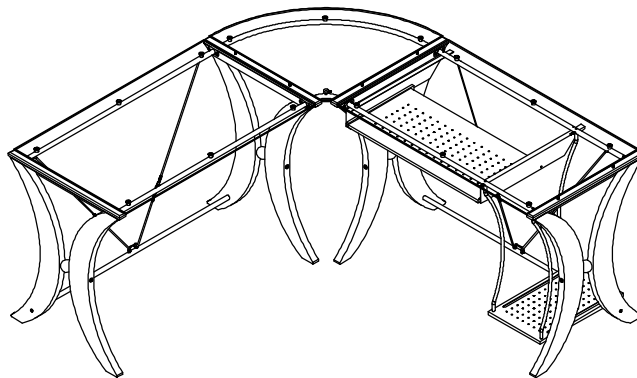
STEP 6



ITEM: 800446
ASSEMBLY INSTRUCTIONS
STEP 7



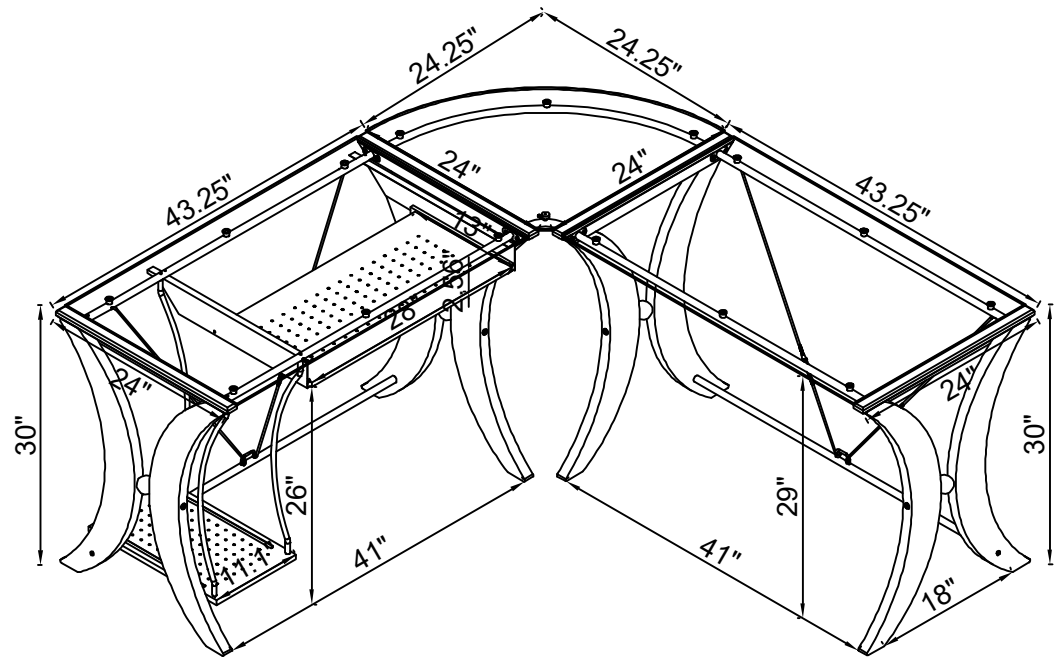
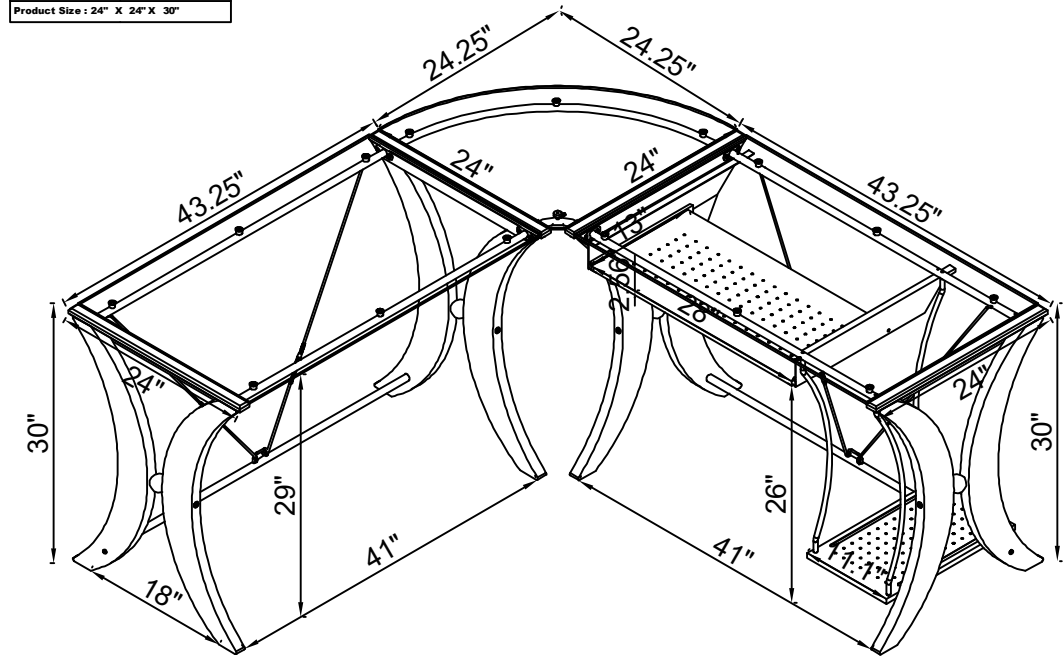
STEP 8
COMPLETE



ITEM:800446 ASSEMBLY INSTRUCTIONS



COMPUTER:	Product Size : 1100 X 610 X 762 H (MM)
	Product Size : 43 1/2" X 24" X 30"
DESK:	Product Size : 1100 X 610 X 762 H (MM)
	Product Size : 43 1/2" X 24" X 30"
CORNER:	Product Size : 610 X 610 X 762 H (MM)
	Product Size : 24" X 24" X 30"



Note : Dimension tolerance $\pm 5\%$