

ASSEMBLY INSTRUCTIONS
COASTER FINE FURNITURE



Fine Furniture for every stage of life

801017
BOOK SHELF

REVISION 0 : 09/14/2017
REVISION 1 : 07/13/2022

ITEM:801017



ASSEMBLY INSTRUCTIONS

ASSEMBLY TIPS:

1. Remove hardware from box and sort by size.
2. Please check to see that all hardware and parts are present prior to start of assembly.
3. Please follow attached instructions in the same sequence as numbered to assure fast & easy assembly.



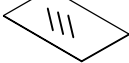
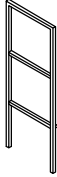
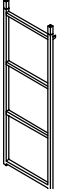

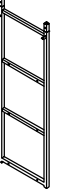
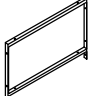
WARNING!

1. Don't attempt to repair or modify parts that are broken or defective. Please contact the store immediately.
2. This product is for home use only and not intended for commercial establishments.



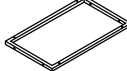
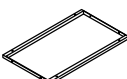

ASSEMBLY TIME 55 MINUTES

PARTS IDENTIFICATION





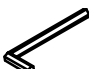
A	GLASS SHELF		7PCS
B	TOP LEFT FRAME		1PC
C	BOTTOM LEFT FRAME		1PC
D	TOP RIGHT FRAME		1PC
E	BOTTOM RIGHT FRAME		1PC
F	UPPER BACK FRAME		1PC

ITEM: 801017 ASSEMBLY INSTRUCTIONS



G	TOP AND BOTTOM FRAME		2PCS
H	SHELF FRAME		3PCS
I	CROSSBAR		2PCS

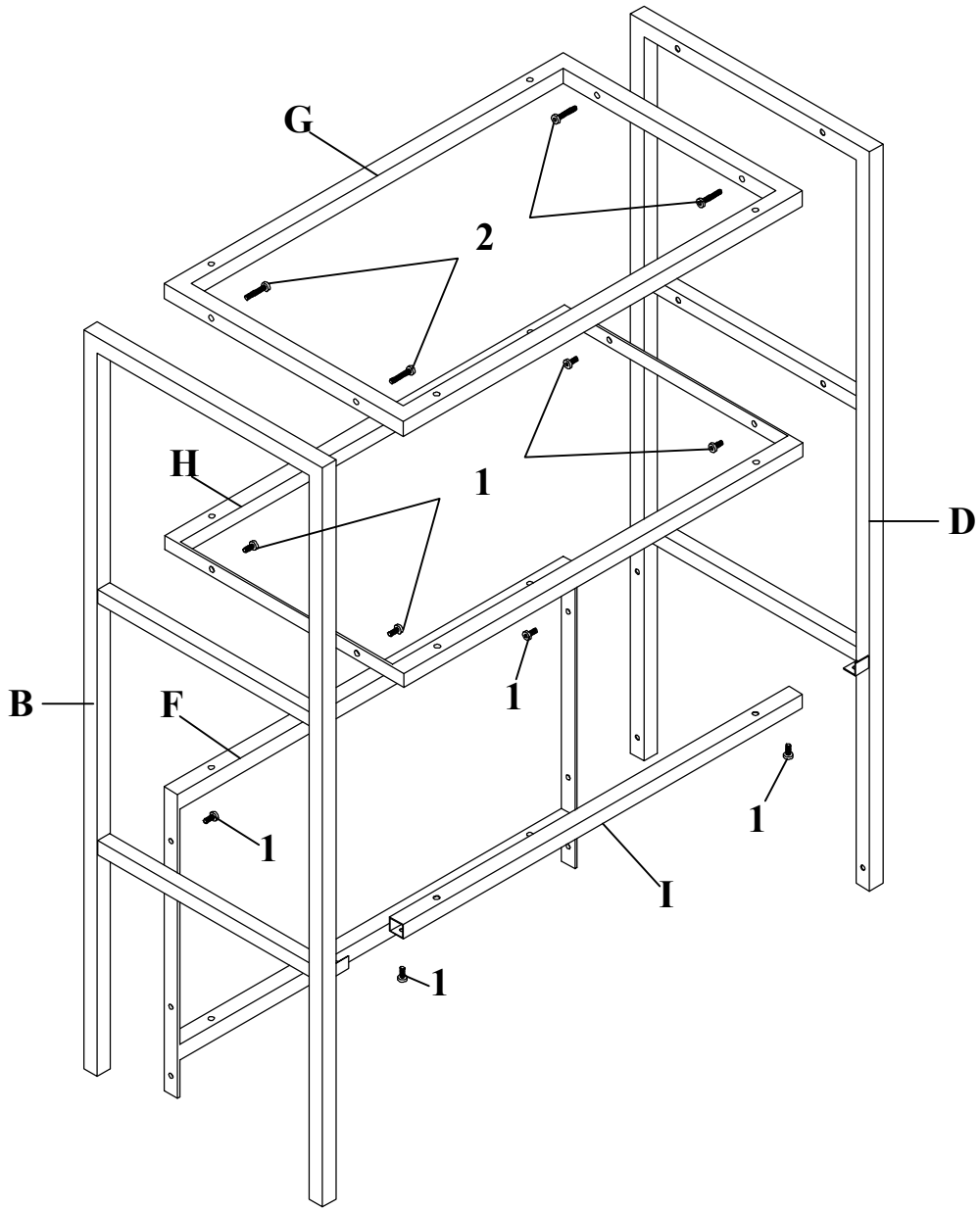
HARDWARE IDENTIFICATION

1	SHORT BOLT (1/4" x 10mm BLK)		24PCS
2	LONG BOLT (1/4" x 25mm BLK)		8PCS
3	SUCTION CUP (ϕ 19 x 9mm)		28PCS
4	CAP (20 x 20mm BLK)		4PCS
5	ALLEN WRENCH (4mm)		1PC

ITEM: 801017 ASSEMBLY INSTRUCTIONS



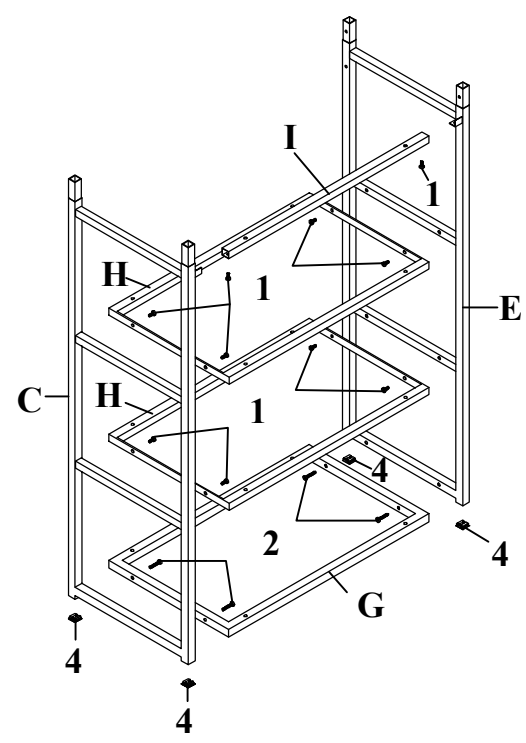
STEP 1 Do not tighten until each step is completed or instructed.



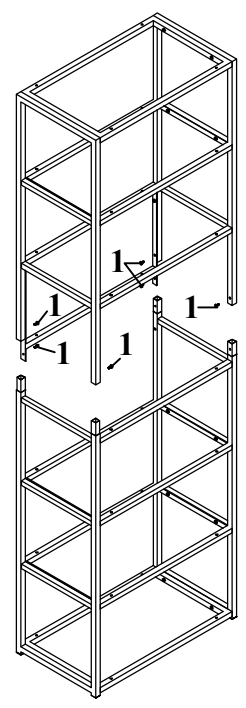
ITEM: 801017
ASSEMBLY INSTRUCTIONS



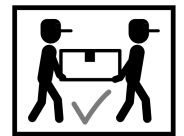
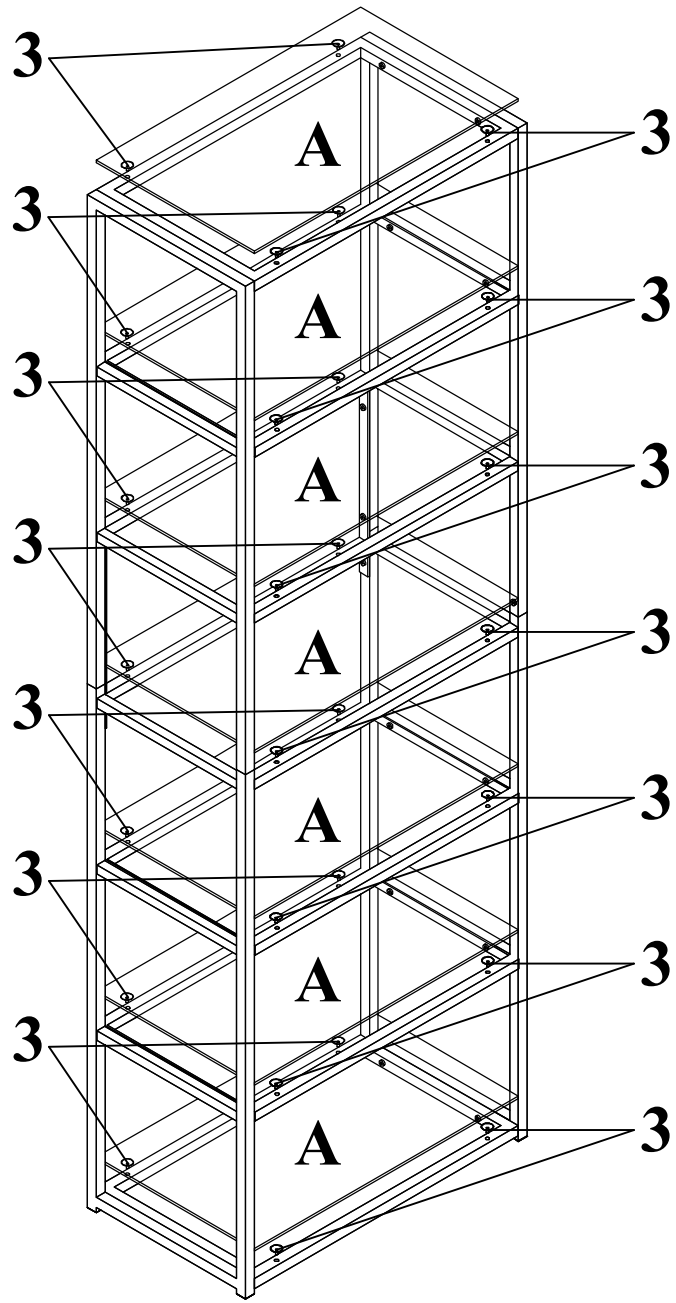
STEP 2



STEP 3



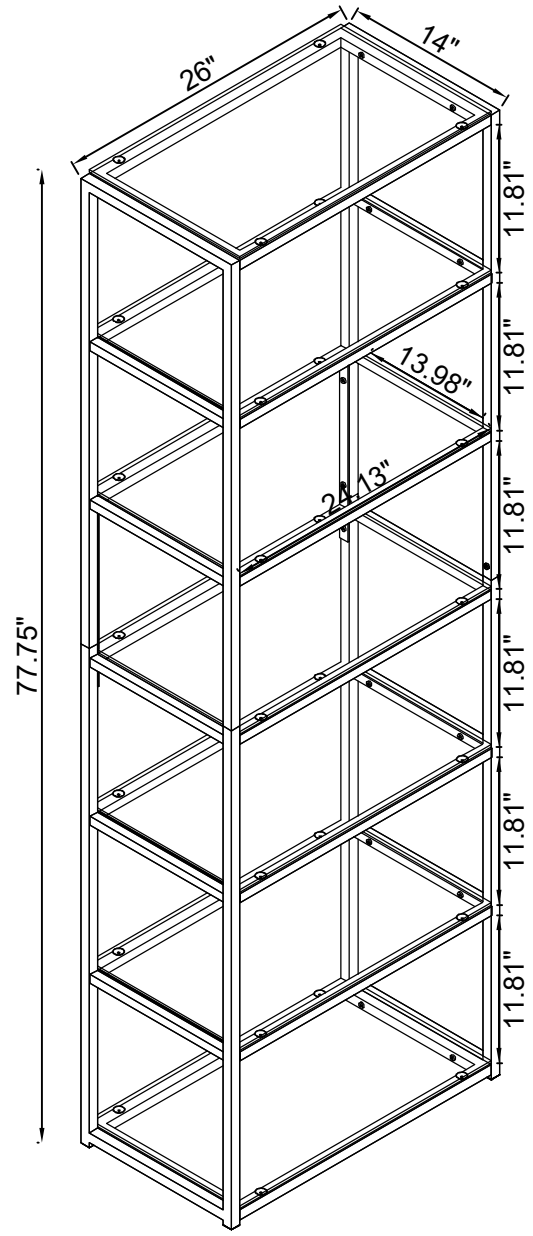
ITEM: 801017
ASSEMBLY INSTRUCTIONS
STEP 4



ITEM:801017 ASSEMBLY INSTRUCTIONS



Product Size : 660 X 356 X 1975 H (MM)
Product Size : 26" X 14" X 77.75"



Note : Dimension tolerance $\pm 5\%$

ITEM: **801017**



ANTI-TIPPING INSTALLMENT INSTRUCTIONS

FURNITURE TIPPING RESTRAINT

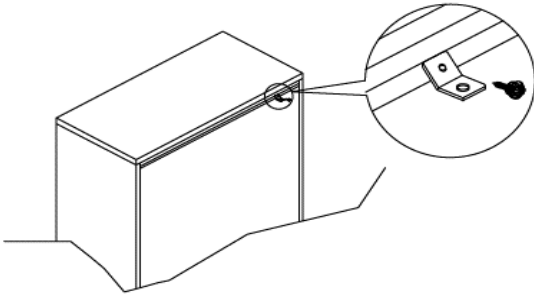
WARNING

Injury may result from tipping furniture.
This restraint may protect against tipping furniture.
Do not allow children to climb on furniture.
This restraint is not a substitute for proper adult supervision.
Failure to detach this restraint before moving the furniture may result in injury and damage.

This tip restraint must be attached to a wall stud using long screw enclosed.

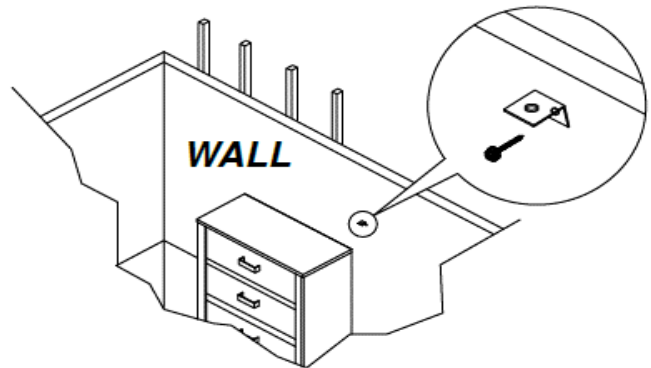
STEP 1

Attach a bracket securely to the back top rail of the furniture using short screw provided, through the smaller hole.



STEP 2

Locate the other bracket on the wall over a plastic wall stud and two inches below the mounting bracket secured to the back of the furniture. Attach the wall stud using the long screw provided, through the smaller hole.



STEP 3

Place the furniture into position so both mounting brackets are vertically in line. Lace the end of the restraint strap through the larger hole in each mounting bracket. Bring both ends together and slide the flat end through the locking end and draw it through until all slack is removed. Confirm that the strap is securely laced and locked.

