

*ASSEMBLY INSTRUCTIONS*  
*COASTER FINE FURNITURE*



*Fine Furniture for every stage of life*

801221  
**WRITING DESK**

REVISION 0 : 09/22/2017  
REVISION 1 : 07/05/2022

ITEM: 801221



# ASSEMBLY INSTRUCTIONS

## ASSEMBLY TIPS:

1. Remove hardware from box and sort by size.
2. Please check to see that all hardware and parts are present prior to start of assembly.
3. Please follow attached instructions in the same sequence as numbered to assure fast & easy assembly.



### WARNING!

1. Don't attempt to repair or modify parts that are broken or defective. Please contact the store immediately.
2. This product is for home use only and not intended for commercial establishments.



ASSEMBLY TIME 80 MINUTES

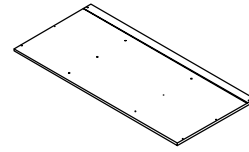
## PARTS IDENTIFICATION

A	TOP BOARD		1PC
B	LEFT BOARD		1PC
C	RIGHT BOARD		1PC
D	LEFT MIDDLE BOARD		1PC
E	RIGHT MIDDLE BOARD		1PC
F	BACK BOARD		1PC

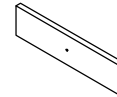
# ITEM: 801221 ASSEMBLY INSTRUCTIONS



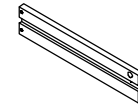
G BOTTOM BOARD 1PC



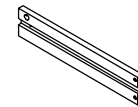
H DRAWER FRONT PANEL 2PCS



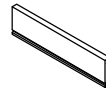
I DRAWER LEFT PANEL 2PCS



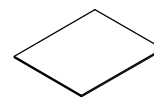
J DRAWER RIGHT PANEL 2PCS



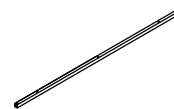
K DRAWER BACK PANEL 2PCS



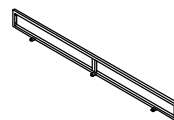
L DRAWER BOTTOM PANEL 2PCS



M SUPPORT CROSSBAR 1PC

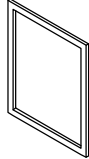
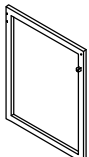


N SUPPORT FRAME 1PC


















# ITEM: 801221 ASSEMBLY INSTRUCTIONS



- O LEFT FRAME  1PC
- P RIGHT FRAME  1PC
- Q DRAWER GLIDE  4PCS

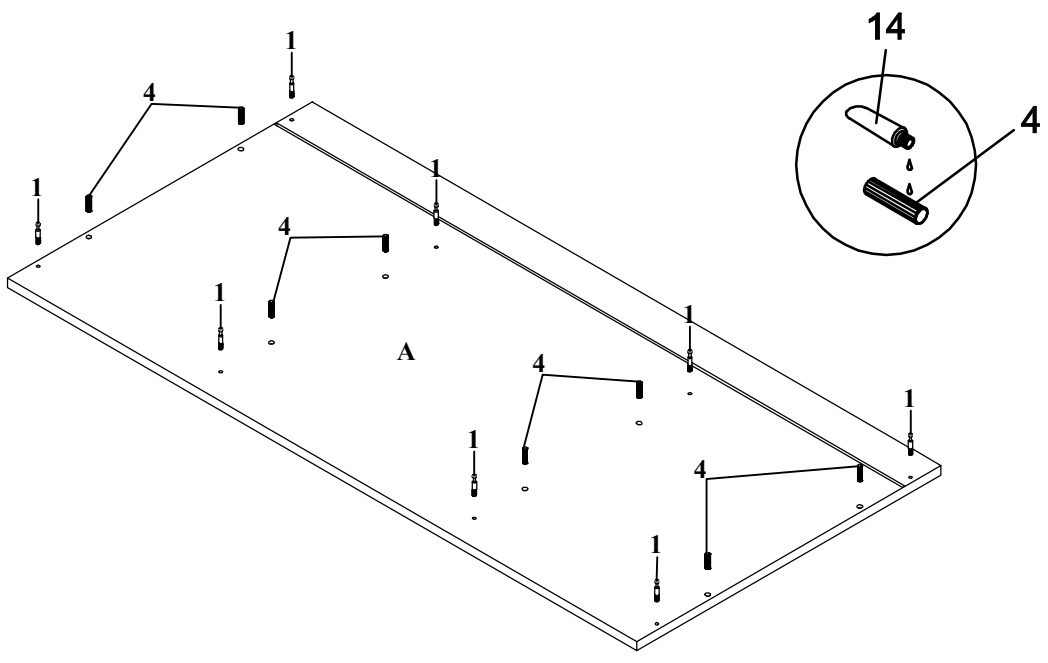
## HARDWARE IDENTIFICATION

- |   |  |   |       |    |   |   |      |
|---|--|---|-------|----|---|---|------|
| 1 | CAM BOLT<br>(38mm)                             |   | 12PCS | 9  | SHORT HANDLE SCREW<br>( $\phi 8 \times 12\text{mm}$ ) |  | 4PCS |
| 2 | LARGE CAM LOCK<br>( $\phi 15\text{mm}$ )       |  | 8PCS  | 10 | LONG HANDLE SCREW<br>( $\phi 8 \times 21\text{mm}$ )  |  | 2PCS |
| 3 | SMALL CAM LOCK<br>( $\phi 12\text{mm}$ )       |  | 4PCS  | 11 | SHORT BOLT<br>(1/4" x 10mm SR)                        |  | 5PCS |
| 4 | LARGE WOOD DOWEL<br>(8 x 30mm)                 |  | 8PCS  | 12 | LONG BOLT<br>(1/4" x 28mm SR)                         |  | 9PCS |
| 5 | SMALL WOOD DOWEL<br>(6 x 30mm)                 |  | 4PCS  | 13 | DOOR KNOB<br>( $\phi 22 \times 25\text{mm}$ )         |  | 2PCS |
| 6 | CAP<br>(20 x 40mm BLK)                         |  | 4PCS  | 14 | GLUE  |  | 1PC  |
| 7 | SHORT SCREW<br>( $\phi 6 \times 12\text{mm}$ ) |  | 12PCS | 15 | ALLEN WRENCH<br>(4mm)                                 |  | 1PC  |
| 8 | LONG SCREW<br>( $\phi 8 \times 38\text{mm}$ )  |  | 20PCS |    |   |   |      |

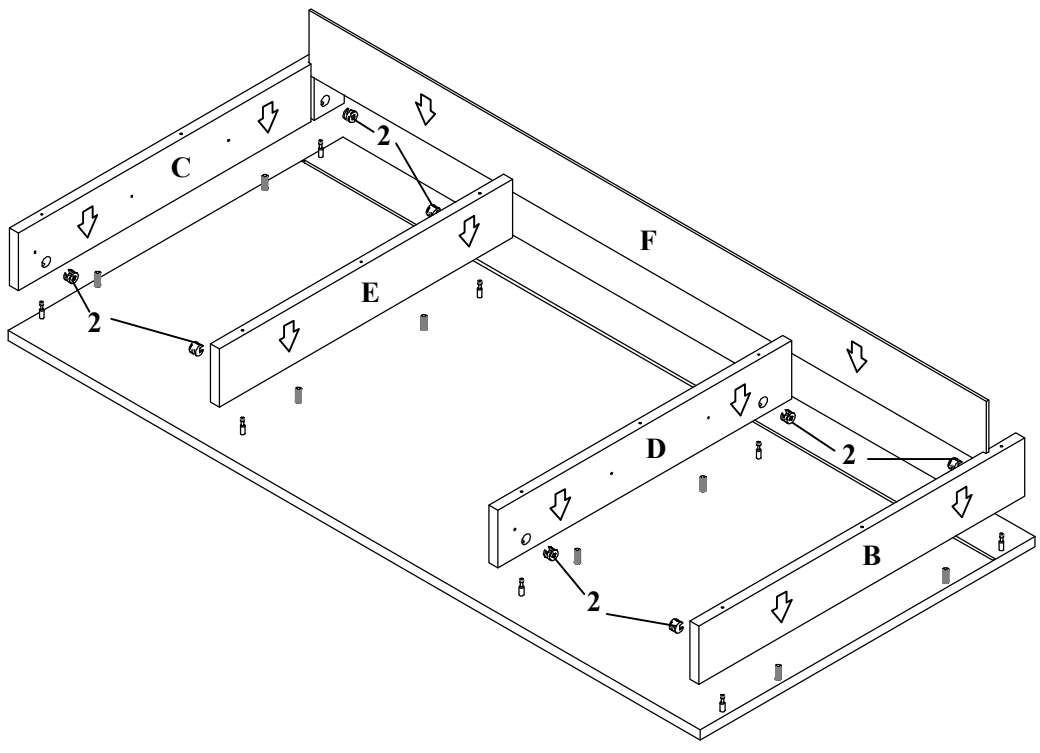
# ITEM: 801221 ASSEMBLY INSTRUCTIONS



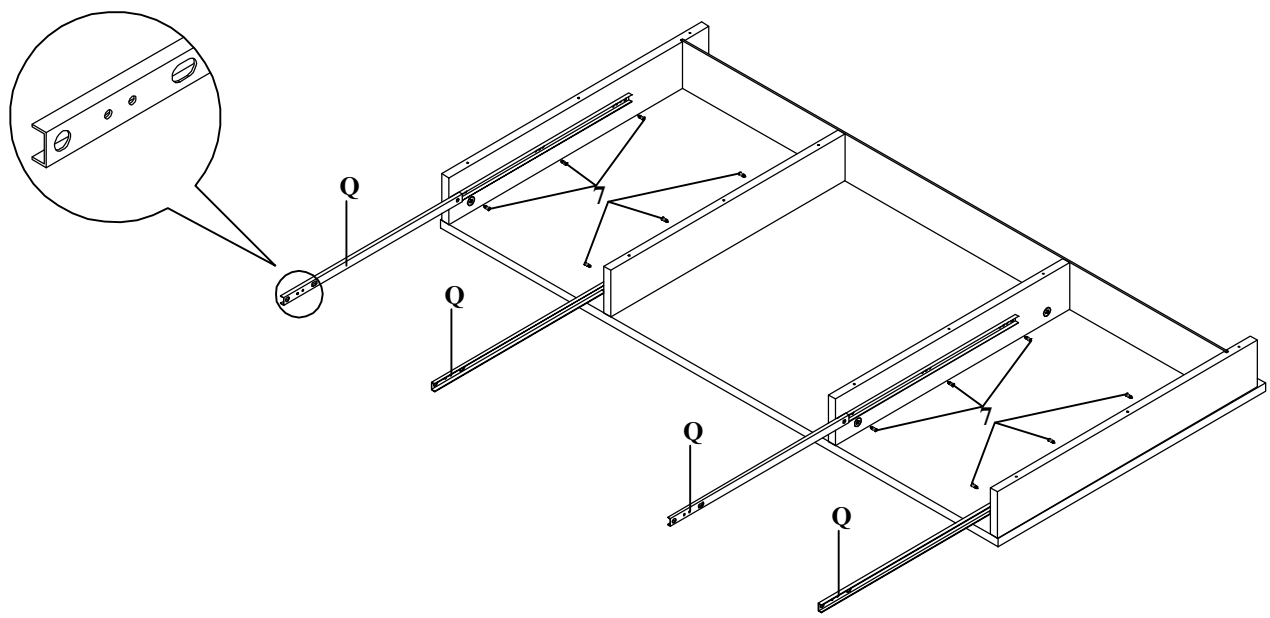
**STEP 1** Do not tighten until each step is completed or instructed.



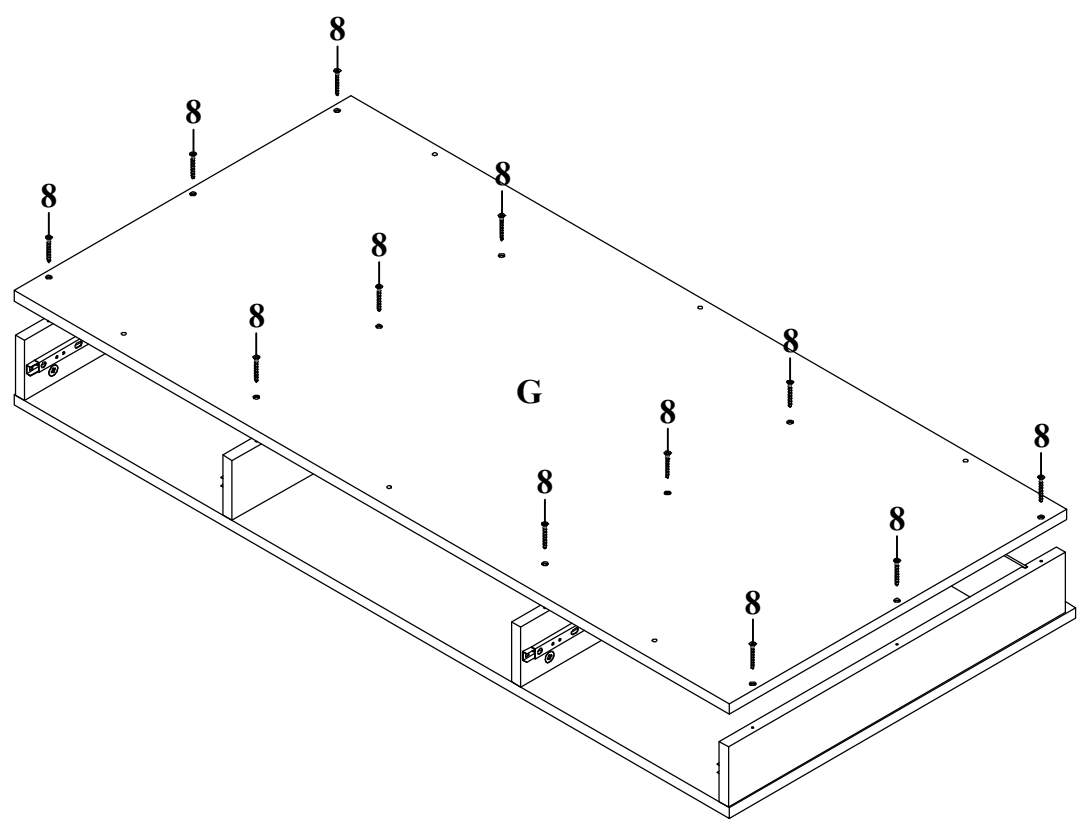
## STEP 2



ITEM: 801221  
ASSEMBLY INSTRUCTIONS  
STEP 3



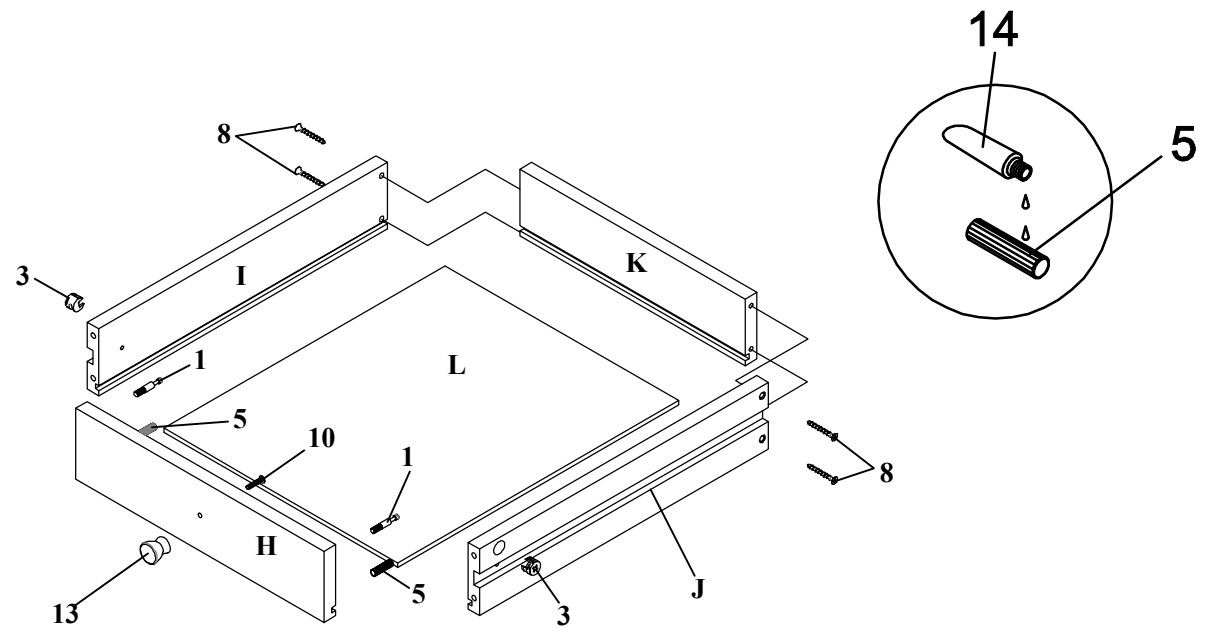
STEP 4



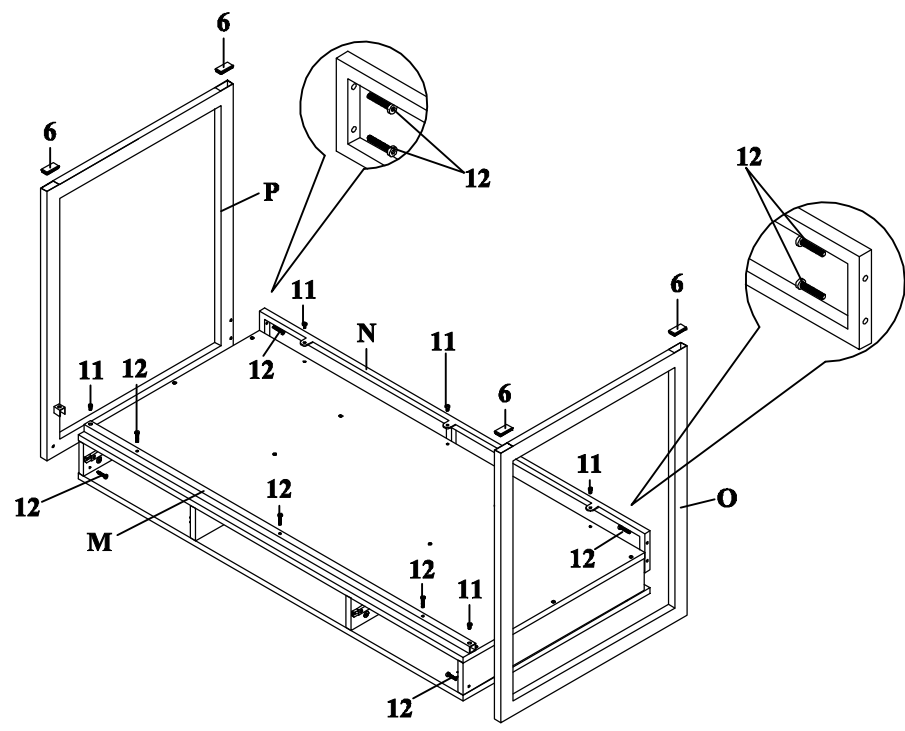
# ITEM: 801221 ASSEMBLY INSTRUCTIONS



## STEP 5



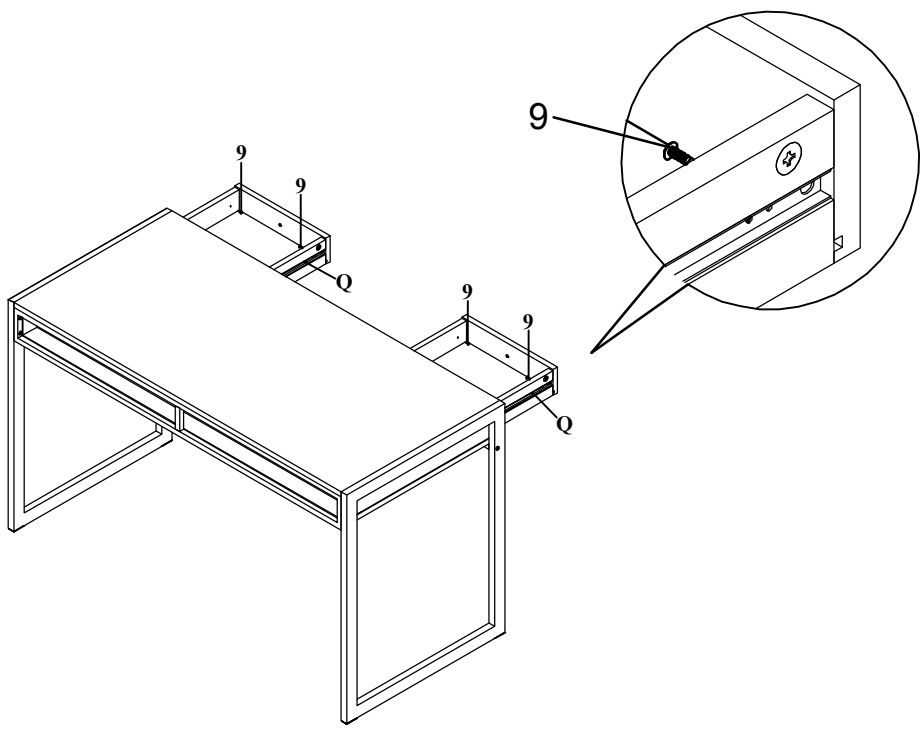
## STEP 6



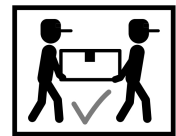
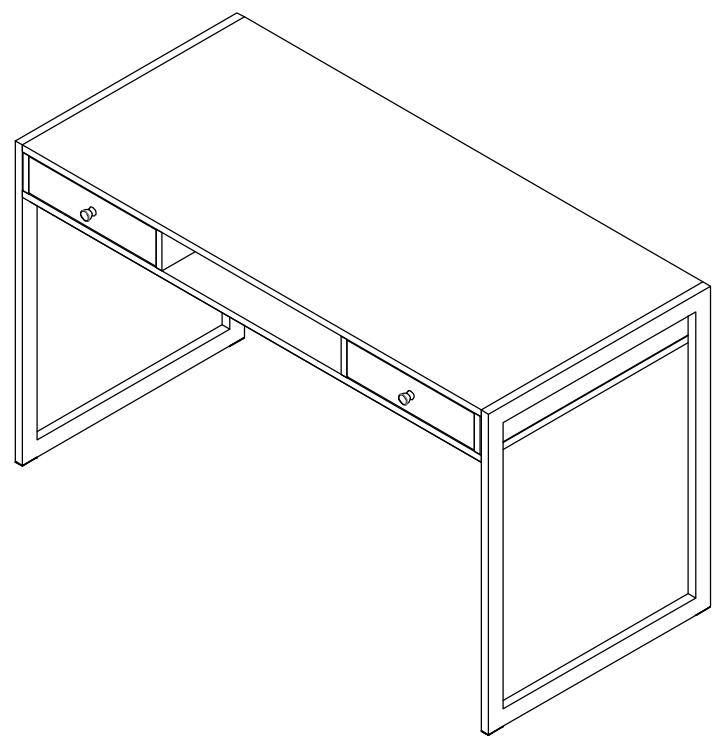
ITEM: 801221  
ASSEMBLY INSTRUCTIONS



STEP 7



STEP 8

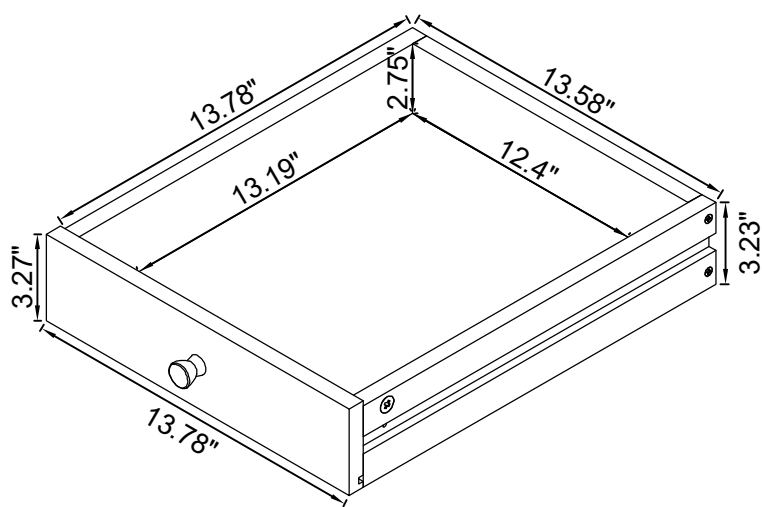
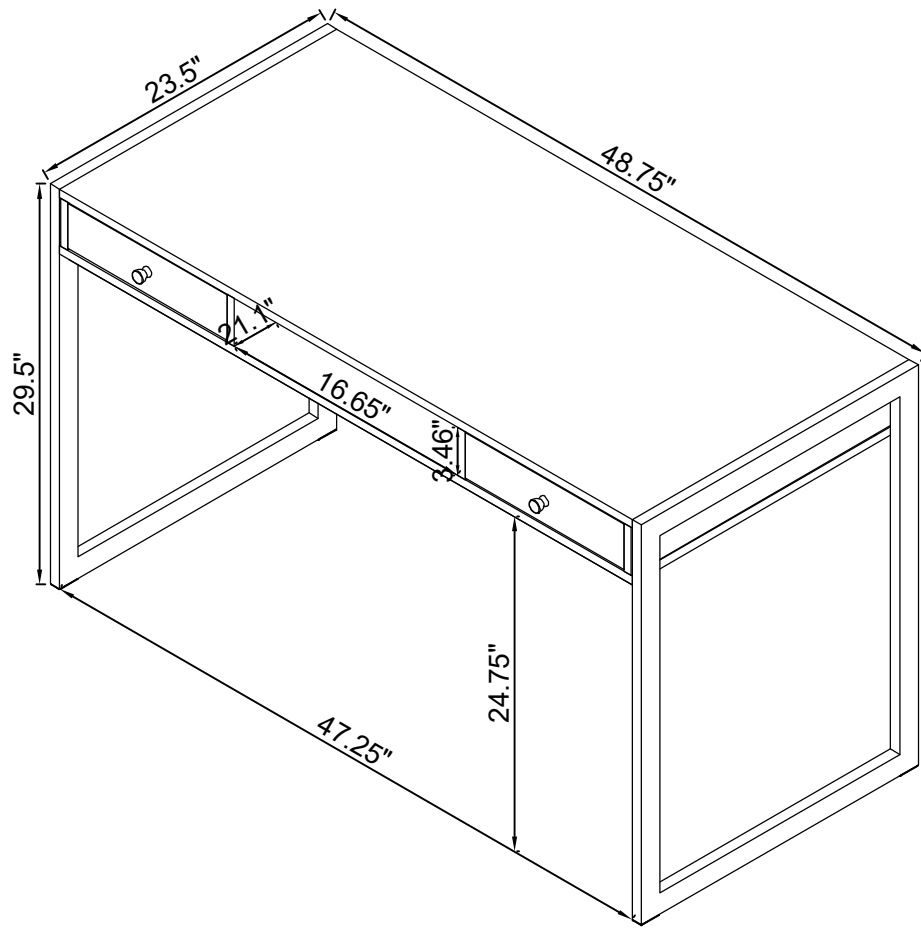




# ITEM:801221 ASSEMBLY INSTRUCTIONS



Product Size : 1238 X 597 X 749 H (MM)
Product Size : 48.75" X 23.5" X 29.5"



Note : Dimension tolerance  $\pm 5\%$