

ASSEMBLY INSTRUCTIONS
COASTER FINE FURNITURE



Fine Furniture for every stage of life

800109
OFFICE DESK

ASSEMBLY INSTRUCTIONS

ASSEMBLY TIPS:

1. Remove hardware from box and sort by size.
2. Please check to see that all hardware and parts are present prior to start of assembly.
3. Please follow attached instructions in the same sequence as numbered to assure fast & easy assembly.



WARNING!

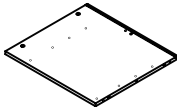
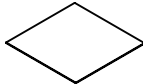
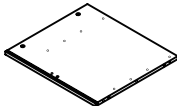
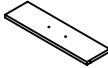
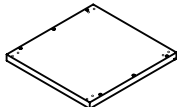
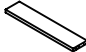
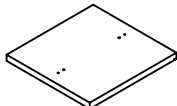

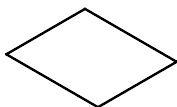
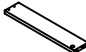
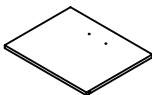

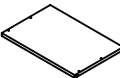
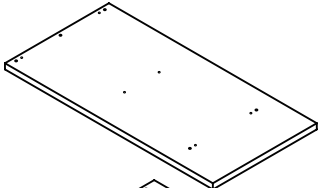
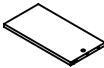
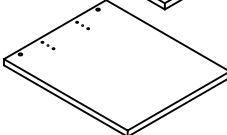
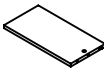
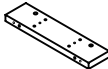
1. Don't attempt to repair or modify parts that are broken or defective. Please contact the store immediately.
2. This product is for home use only and not intended for commercial establishments.



ASSEMBLY TIME

50 MINUTES

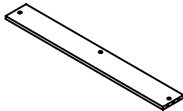
PARTS IDENTIFICATION

A	LEFT SIDE PANEL		1 PC	J	DRAWER BOTTOM PANEL		2 PCS
B	RIGHT SIDE PANEL		1 PC	K	SMALL DRAWER FRONT PANEL		1 PC
C	BOTTOM PANEL		1 PC	L	SMALL DRAWER BACK PANEL		1 PC
D	SMALL TOP PANEL		1 PC	M	SMALL LEFT DRAWER SIDE PANEL		1 PC
E	BACK PANEL		1 PC	N	SMALL RIGHT DRAWER SIDE PANEL		1 PC
F	LARGE DRAWER FRONT PANEL		1 PC	O	SMALL CROSS BRACE		1 PC
G	LARGE DRAWER BACK PANEL		1 PC	P	LARGE TOP PANEL		1 PC
H	LARGE LEFT DRAWER SIDE PANEL		1 PC	Q	SIDE PANEL		1 PC
I	LARGE RIGHT DRAWER SIDE PANEL		1 PC	R	DIVIDER PANEL		1 PC

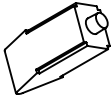

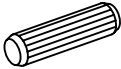
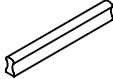
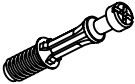






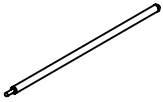
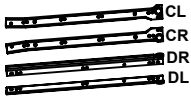
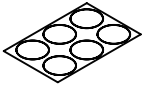

NOTE:

Phillips head screw driver is required in the assembly process; however, manufacturer does not provide this item.

ITEM:800109

S	LARGE CROSS BRACE		1 PC
---	--------------------------	---	------

HARDWARE IDENTIFICATION

NO	DESCRIPTION	FIGURE	Q'TY		NO	DESCRIPTION	FIGURE	Q'TY
1	GLUE 40g		1 PC		9	PLASTIC FEET Ø 15mm		2 PCS
2	WOODEN DOWEL Ø 8x30mm		29 PCS		10	HANDLE L=120mm		2 PCS
3	CAM BOLT Ø 7x35.5mm SR		17 PCS		11	HANDLE BOLT Ø 4x28mm SR		4 PCS
4	CAM LOCK Ø15x12mm SR		17 PCS		12	FOOT 50x50x18mm		4 PCS
5	BOLT Ø9.5x55mm SR		8 PCS		13	FOOT SCREW Ø 5x23mm SR		8 PCS
6	DRAWER SCREW Ø4.3x35mm SR		8 PCS		14	IRON BAR Ø 9.5x402mmSR		2 PCS
7	RAIL L = 400mm WHT		2 SET		15	STICKER Ø 20mm		4 PCS
8	RAIL SCREW Ø 3x12mm SR		28 PCS					

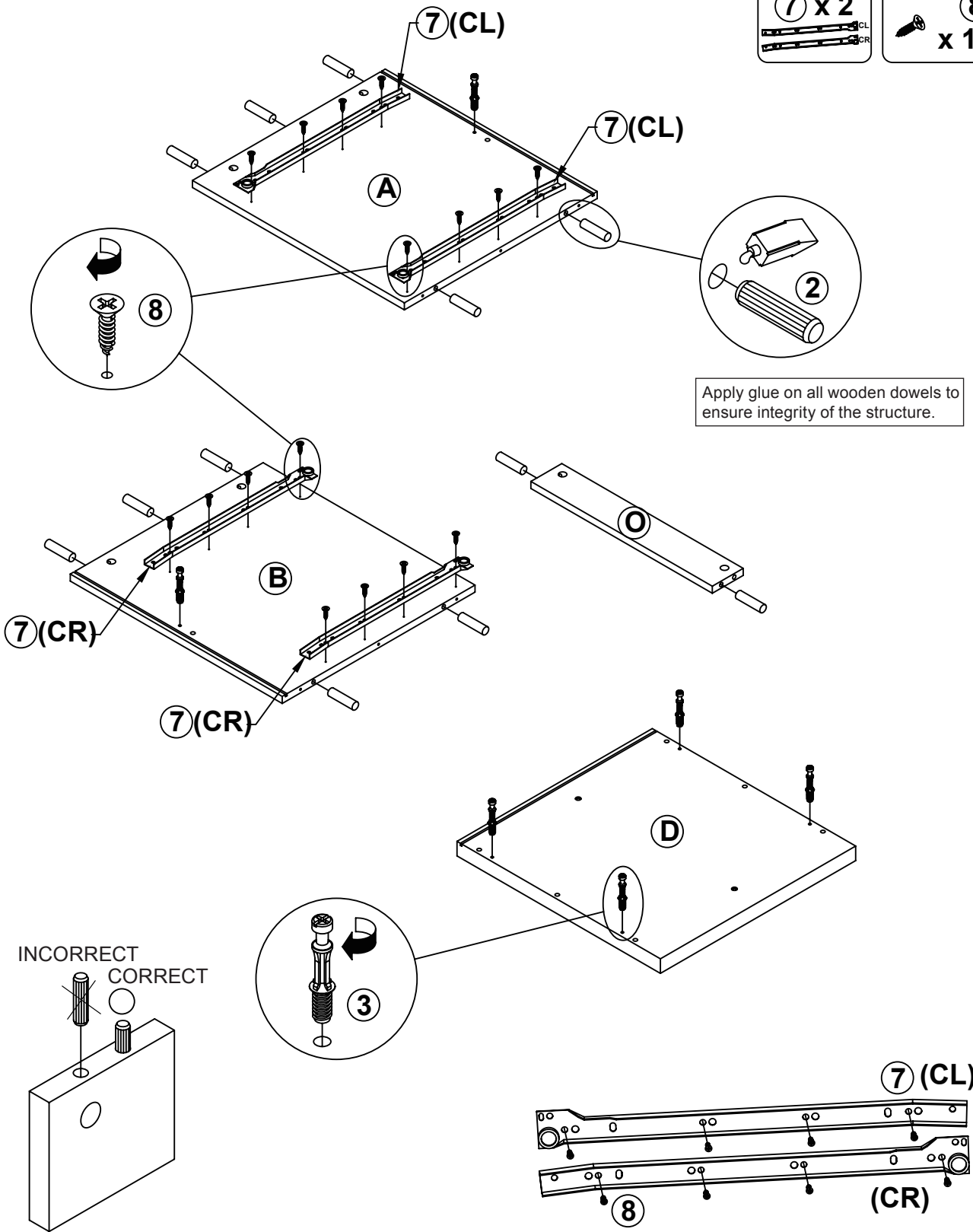
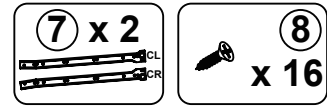
Z7,Z10,Z11,Z12,Z14 not included in blister packaging.

NOTE:

Phillips head screw driver is required in the assembly process; however, manufacturer does not provide this item.

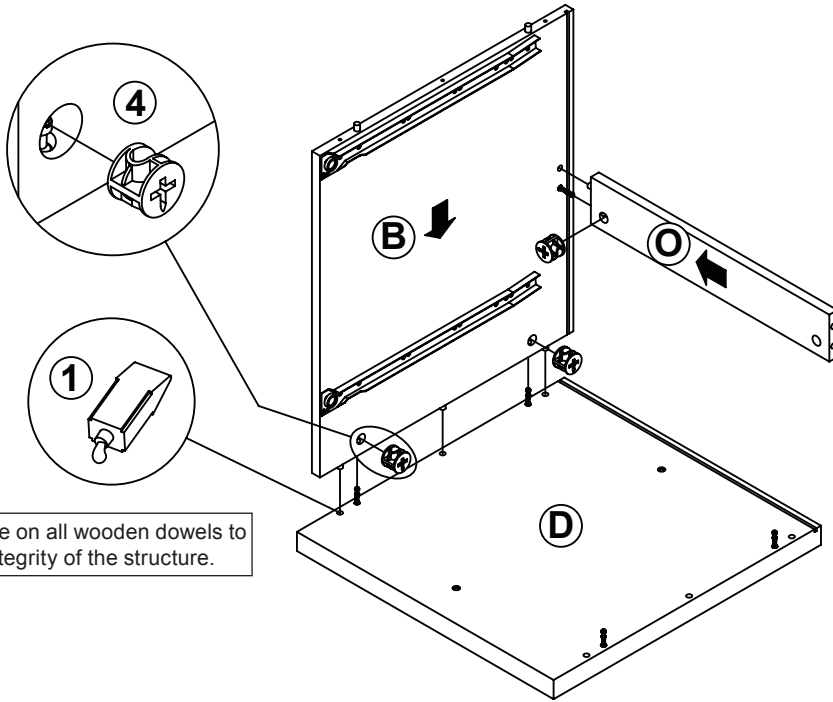
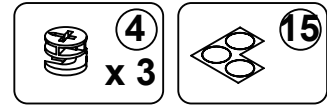
ITEM: 800109

STEP 1

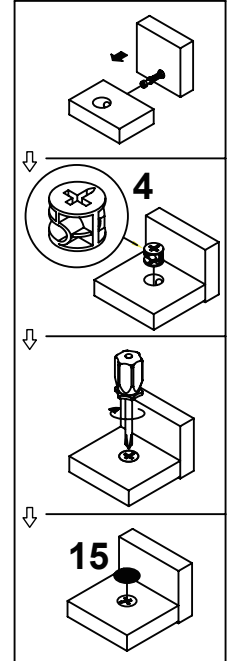


ITEM: **800109**

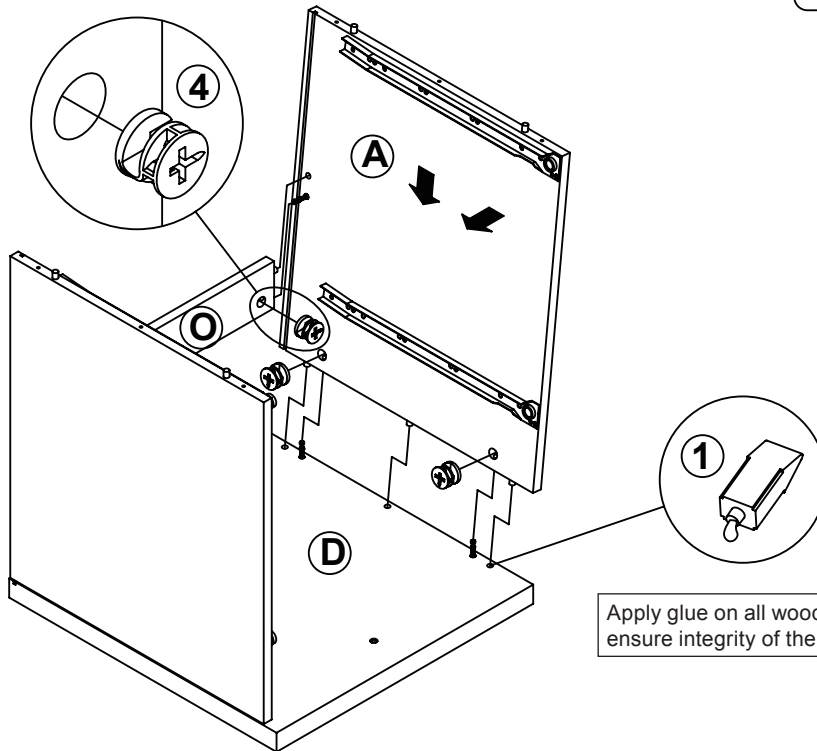
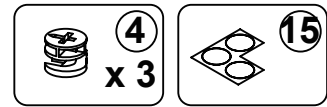
STEP 2



Apply glue on all wooden dowels to ensure integrity of the structure.



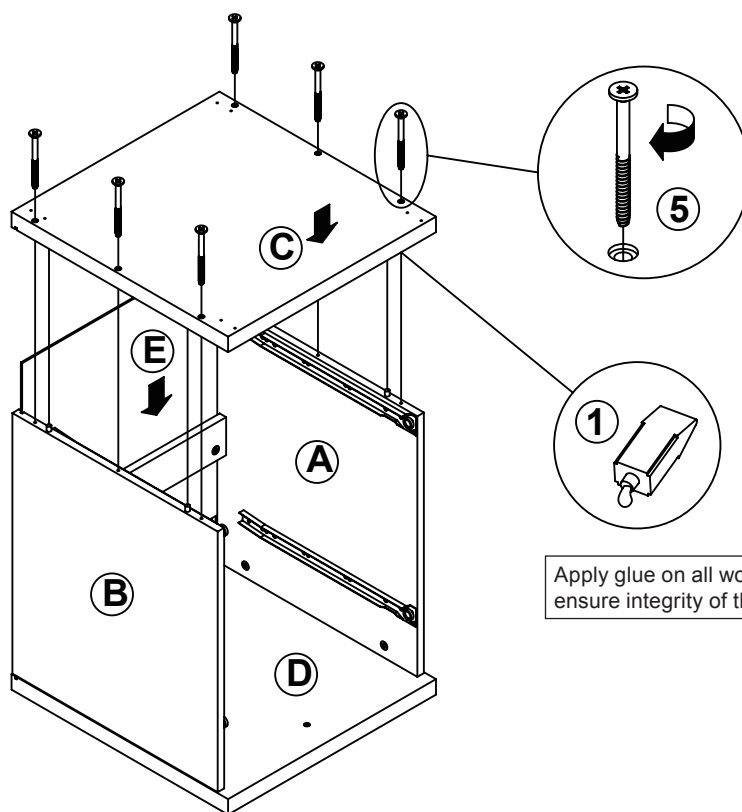
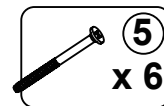
STEP 3



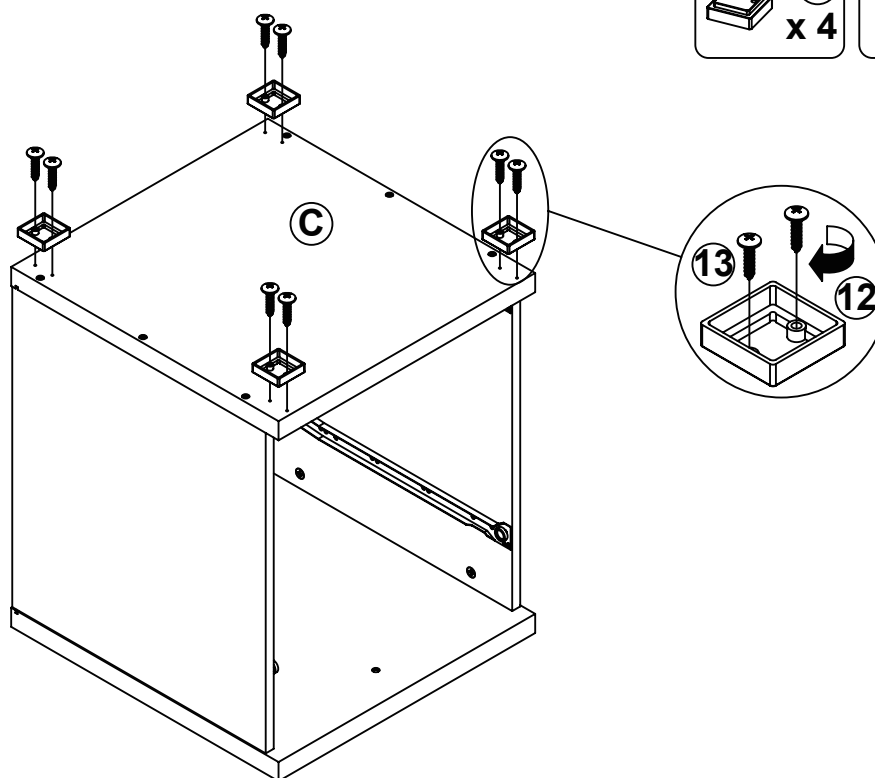
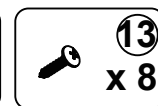
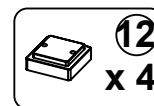
Apply glue on all wooden dowels to ensure integrity of the structure.

ITEM: 800109

STEP 4



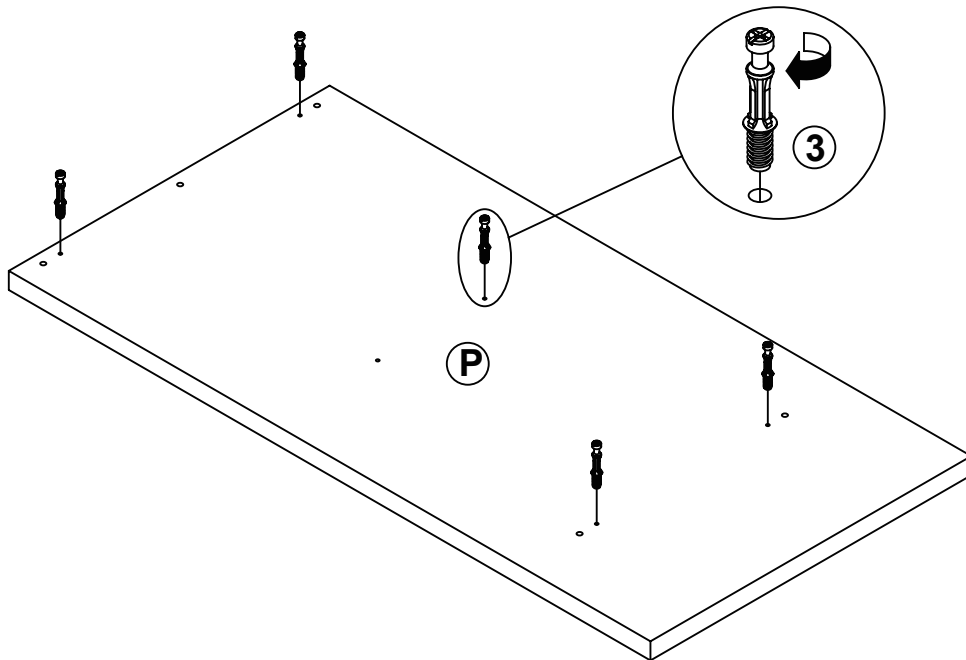
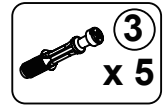
STEP 5



ITEM: **800109**

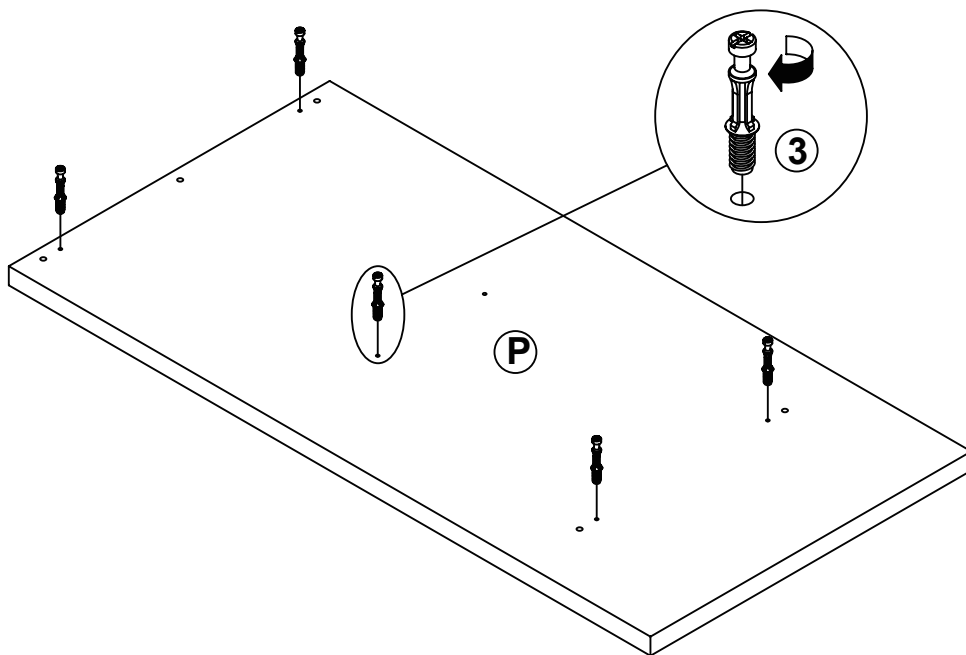
STEP 6

LEFT



STEP 6

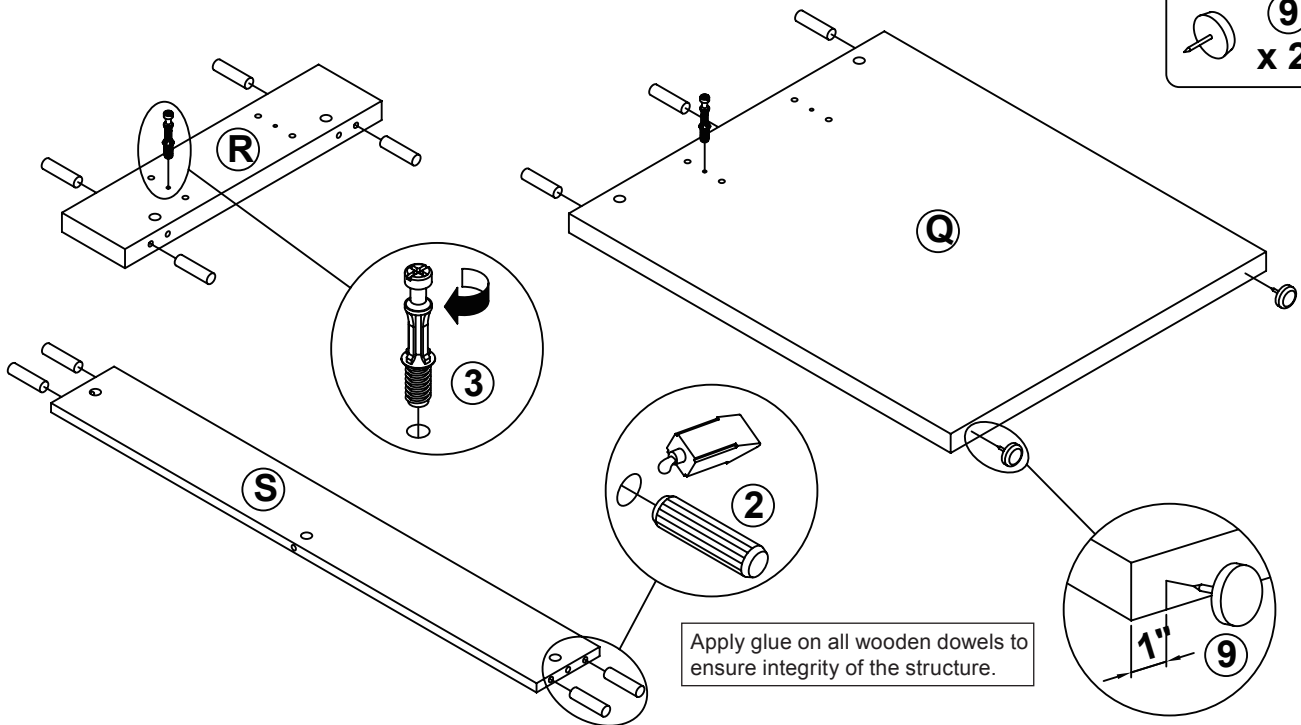
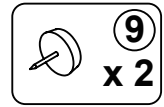
RIGHT



ITEM: 800109

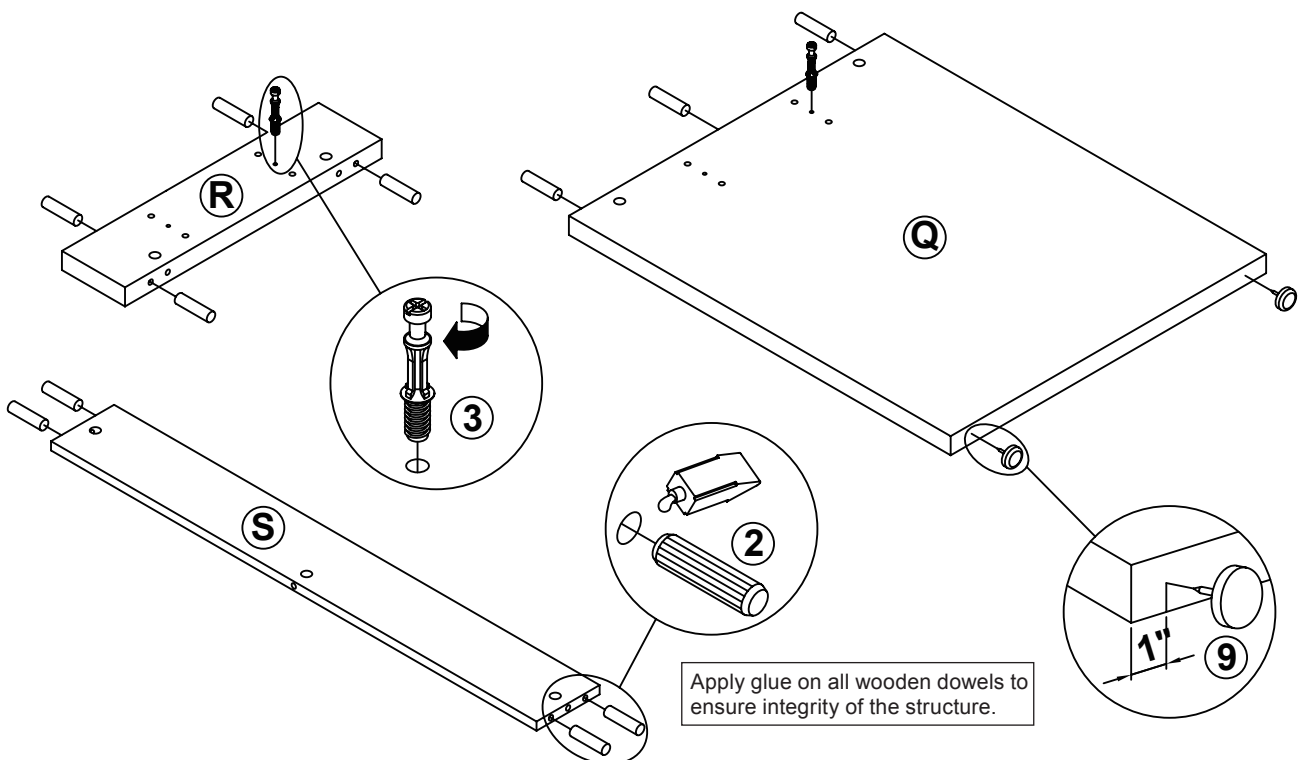
STEP 7

LEFT



STEP 7

RIGHT

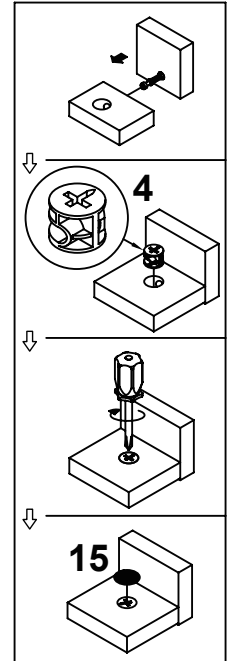
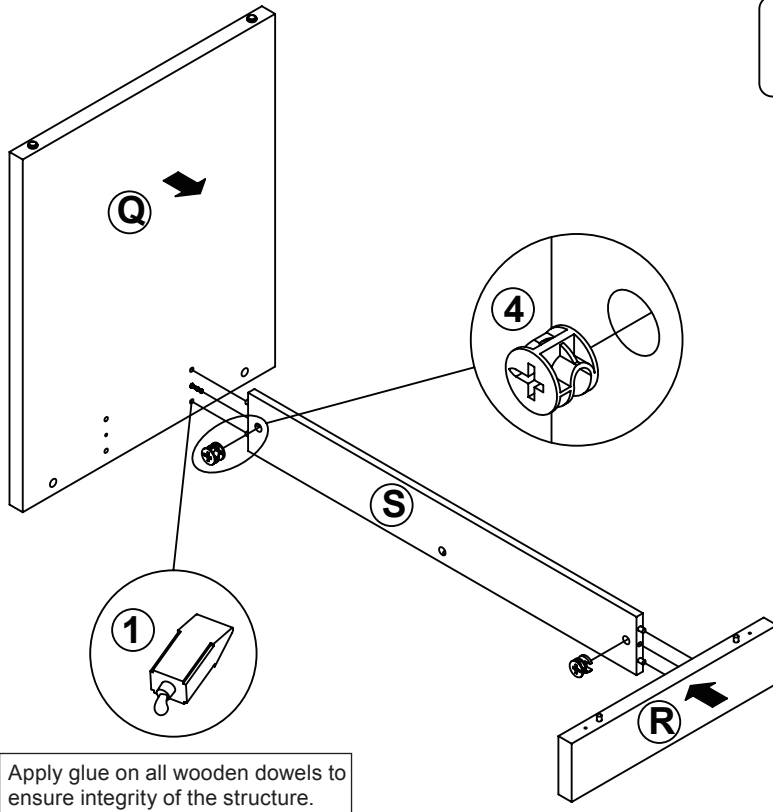
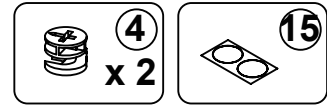


ITEM: 800109

COASTER
FINE FURNITURE

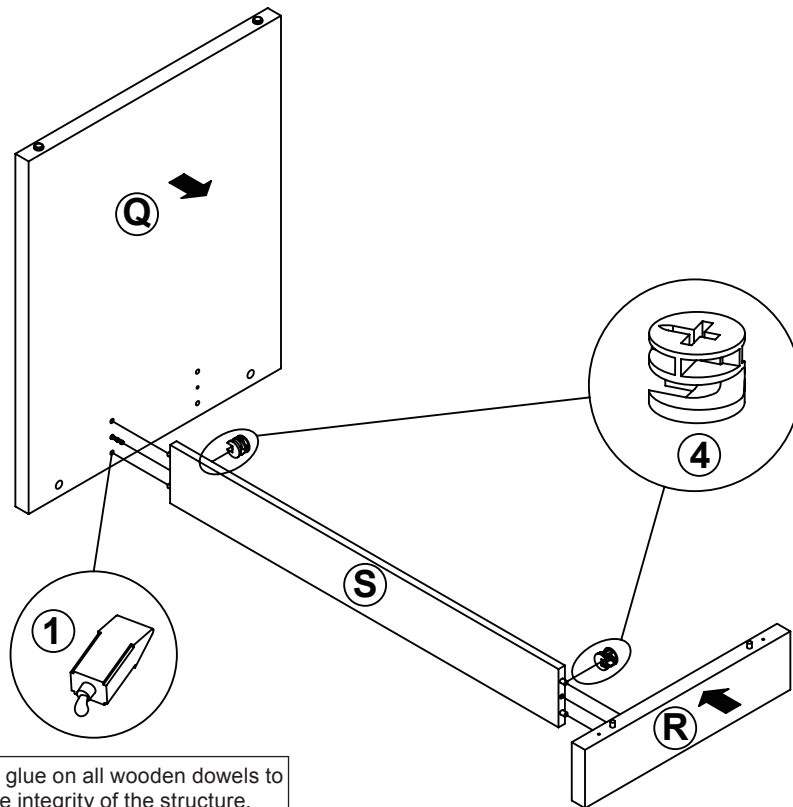
STEP 8

LEFT



STEP 8

RIGHT

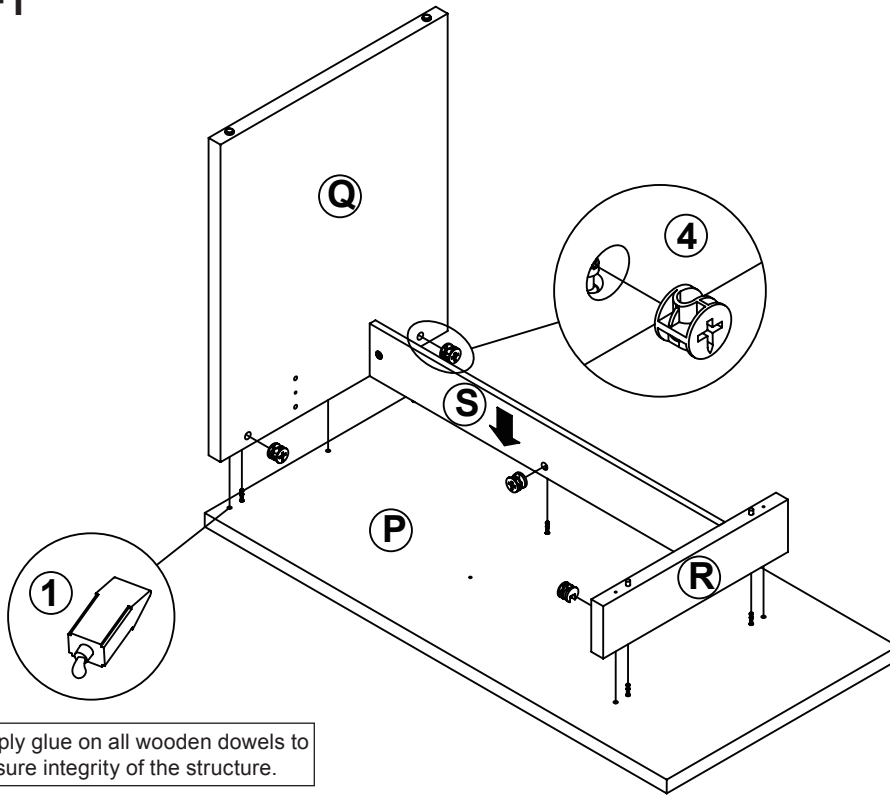
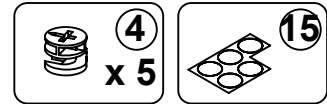


ITEM: 800109

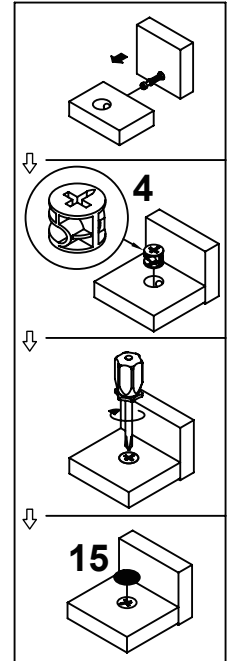
COASTER
FINE FURNITURE

STEP 9

LEFT

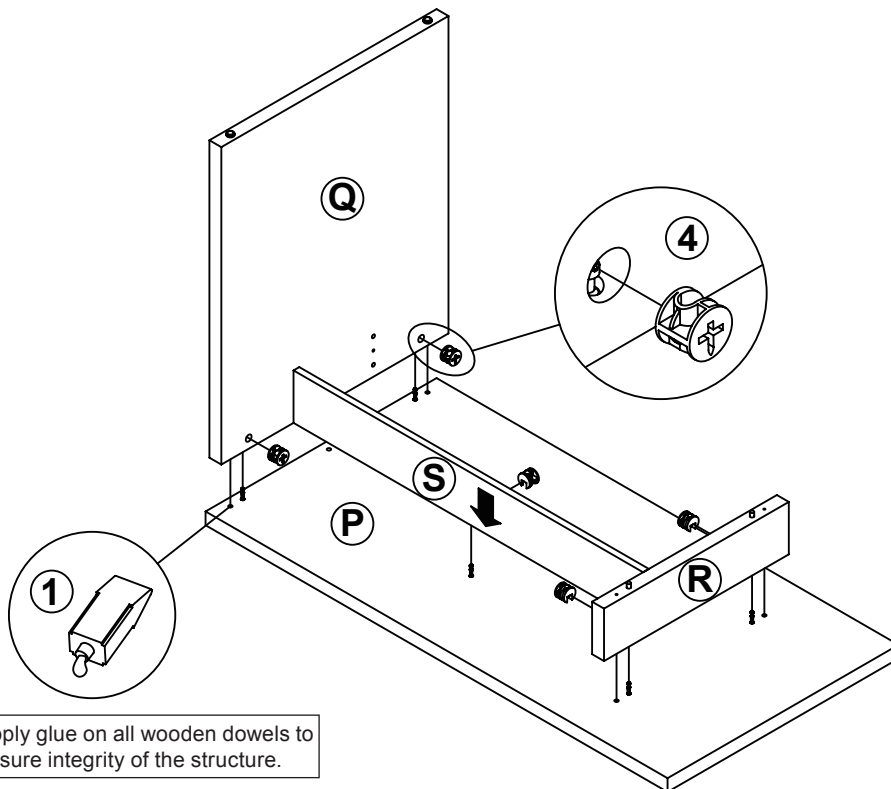


Apply glue on all wooden dowels to ensure integrity of the structure.



STEP 9

RIGHT



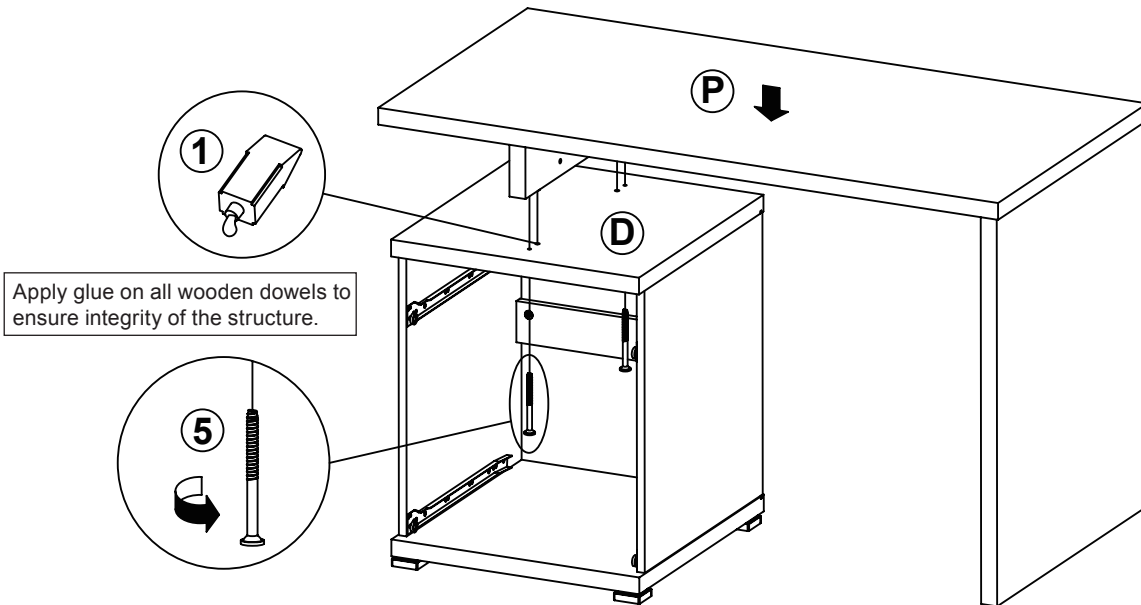
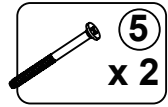
Apply glue on all wooden dowels to ensure integrity of the structure.

ITEM: **800109**

COASTER
FINE FURNITURE

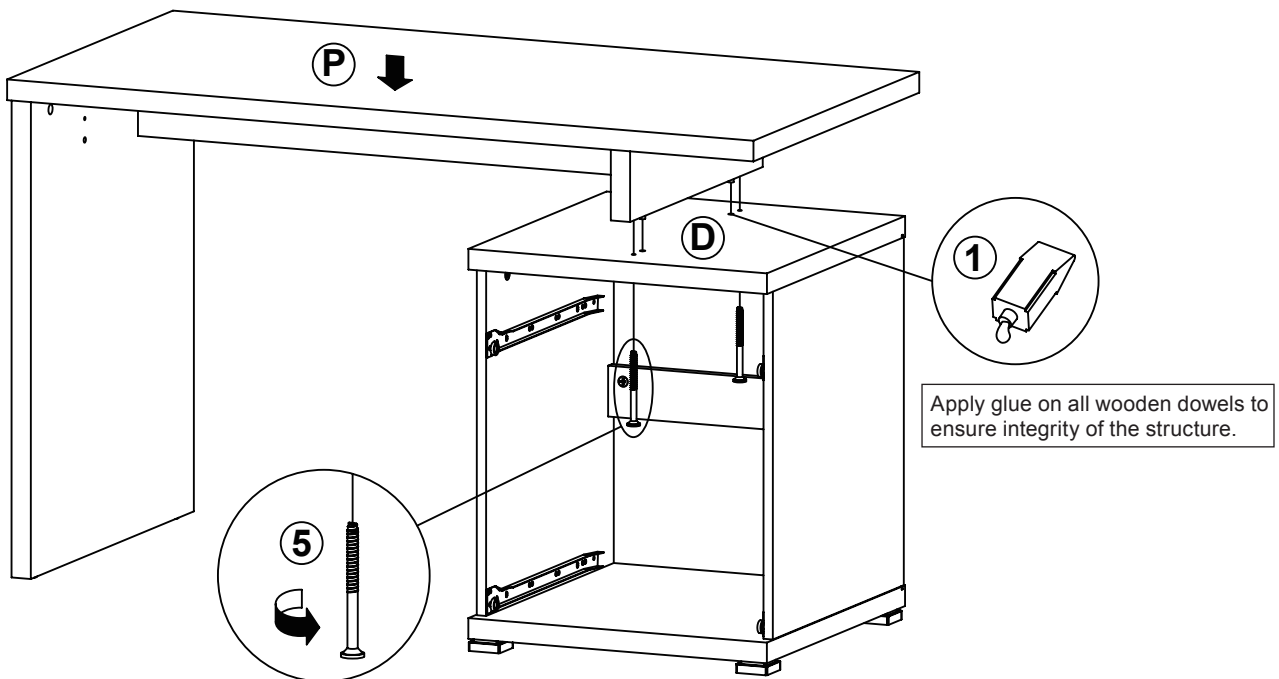
STEP 10

LEFT

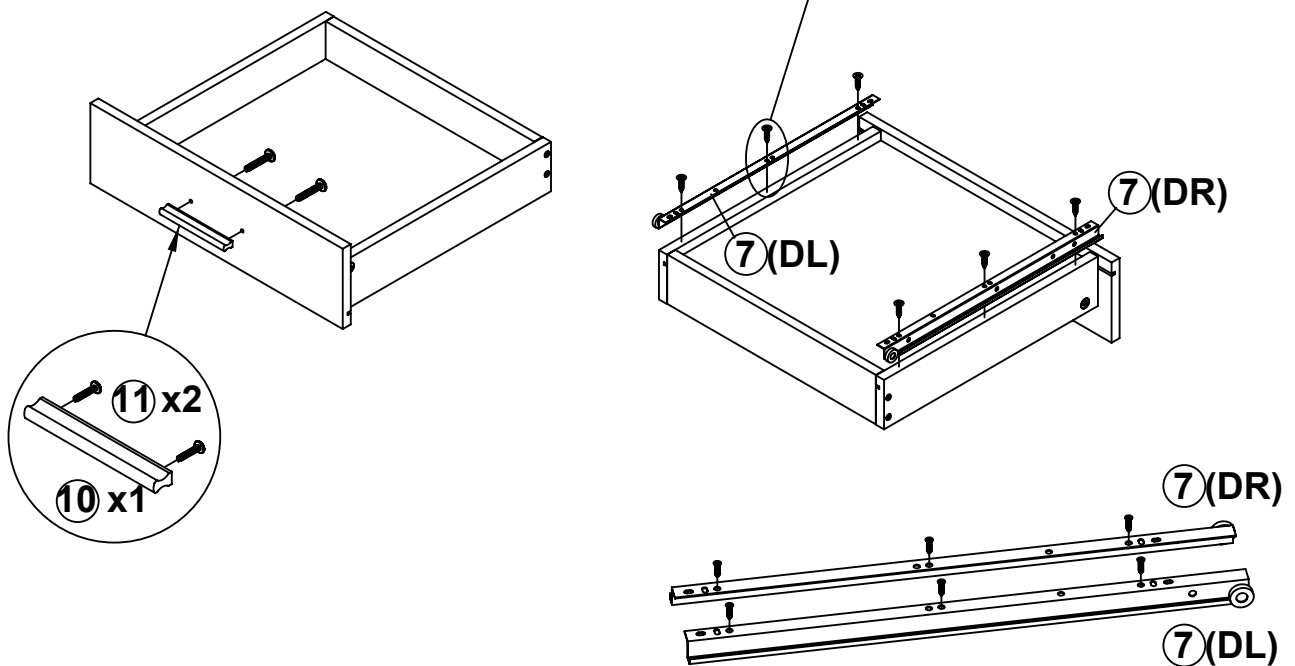
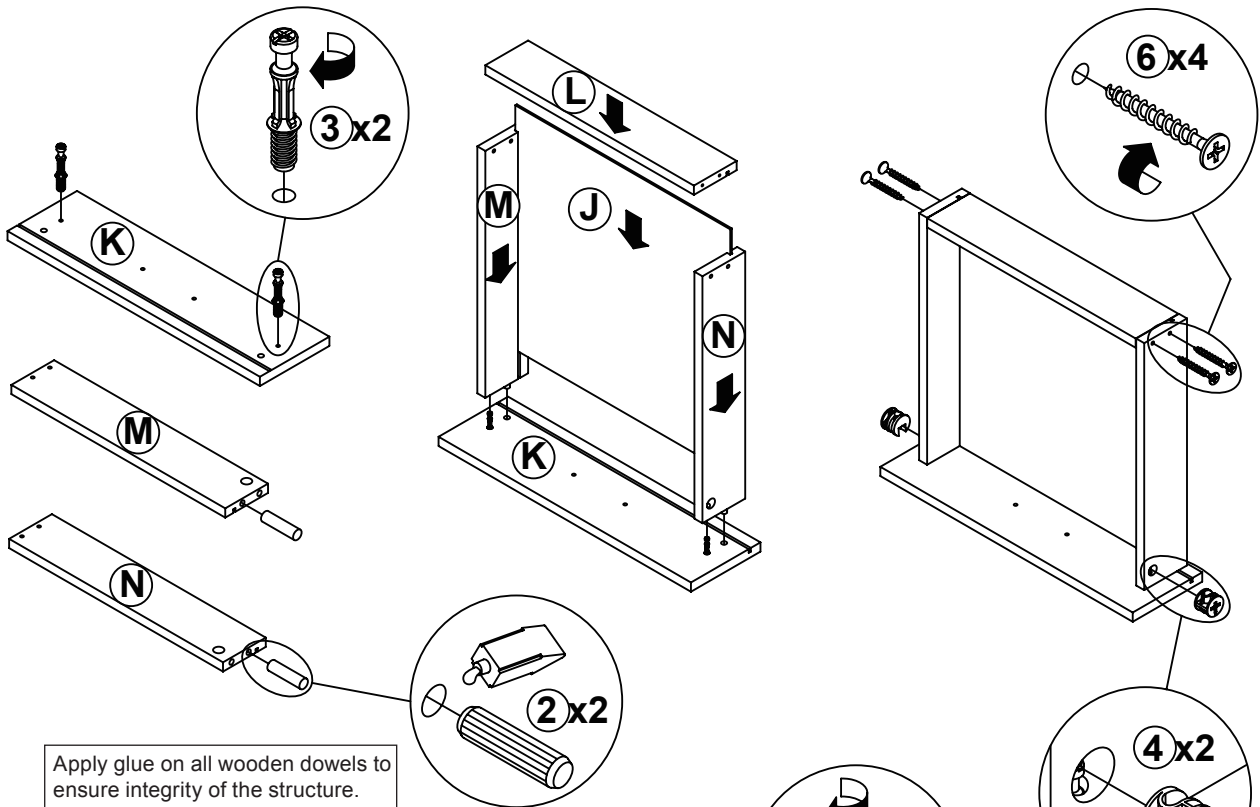


STEP 10

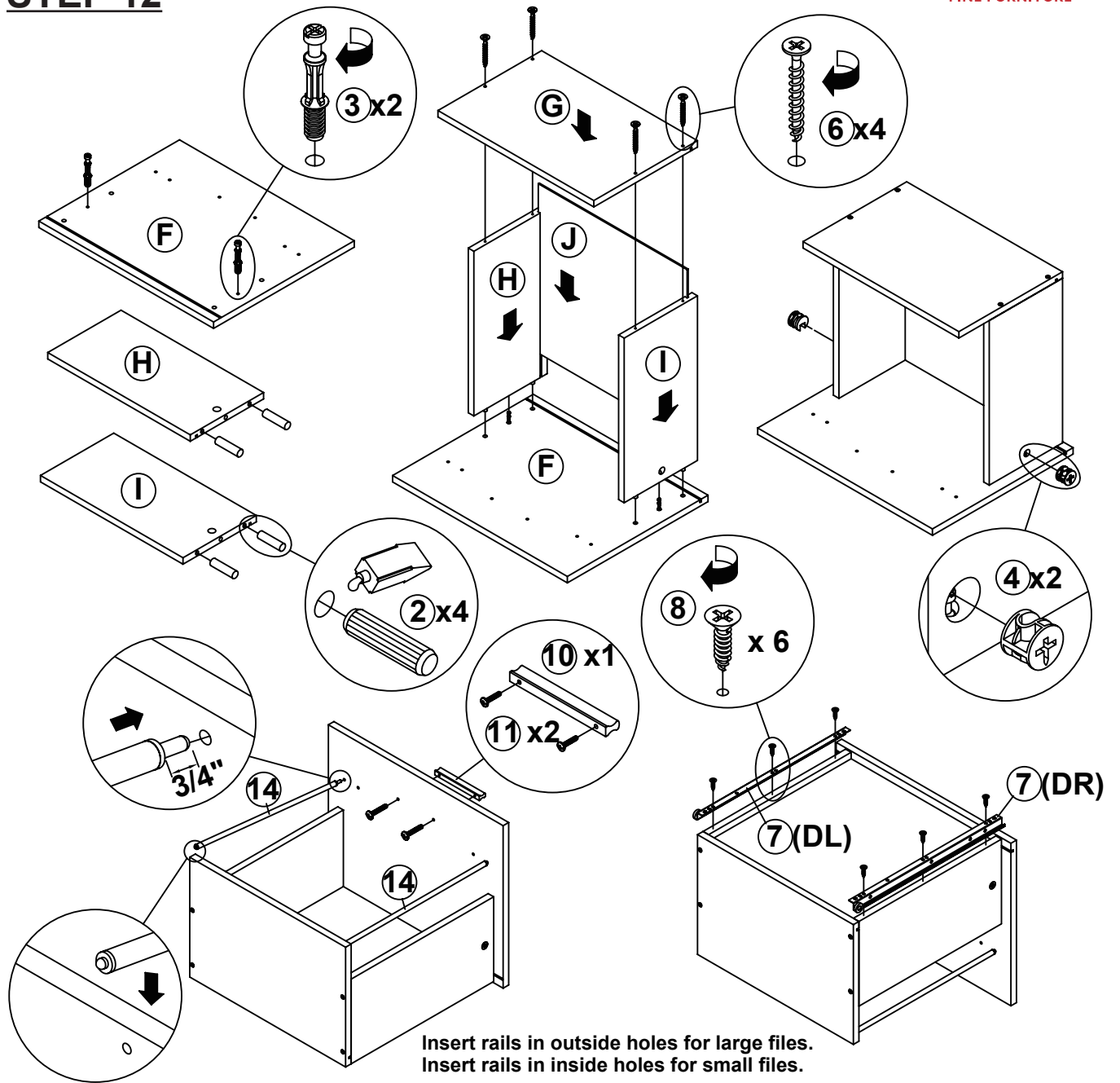
RIGHT



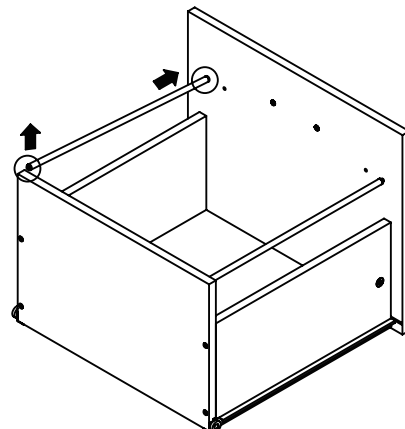
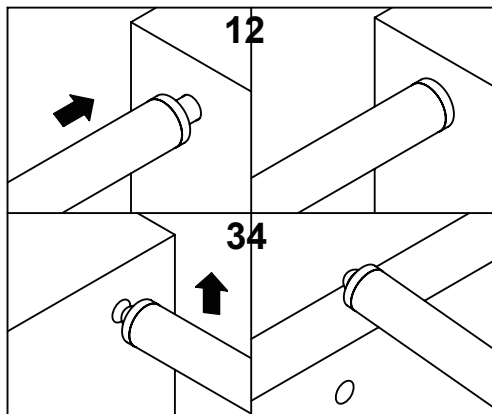
STEP 11



STEP 12



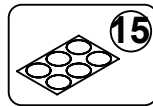
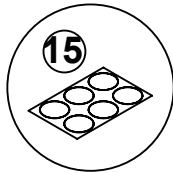
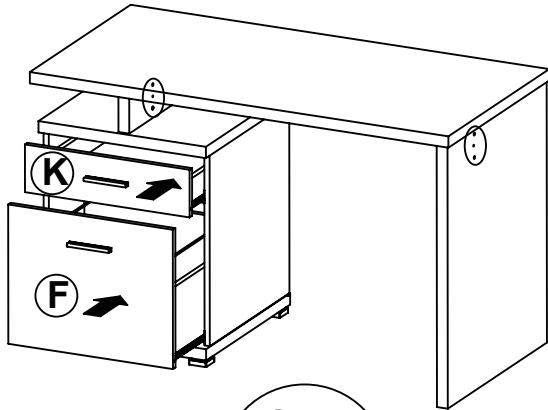
Insert rails in outside holes for large files.
Insert rails in inside holes for small files.



ITEM: **800109**

STEP 13

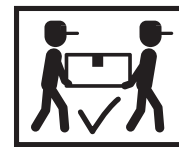
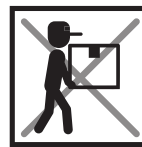
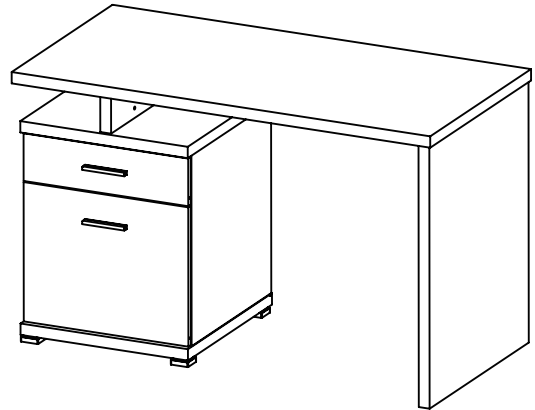
LEFT



STEP 14

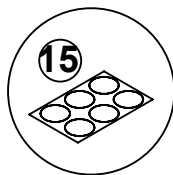
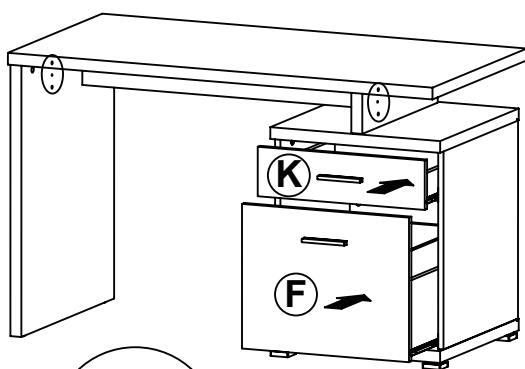
LEFT

COMPLETE



STEP 13

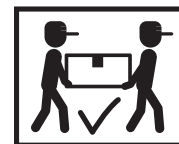
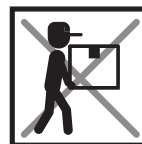
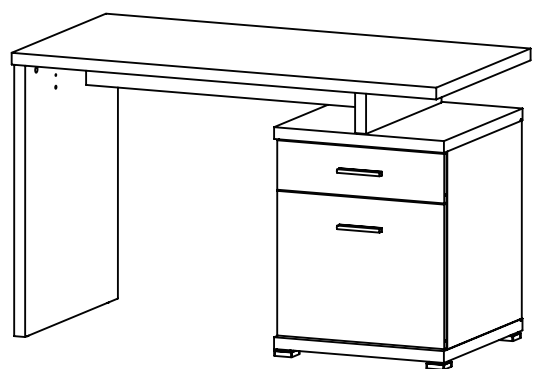
RIGHT

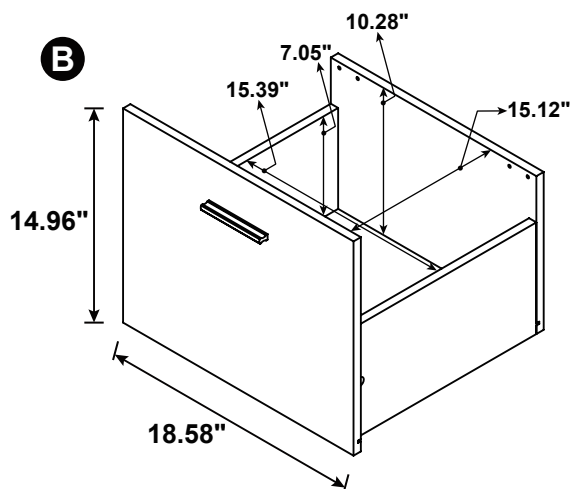
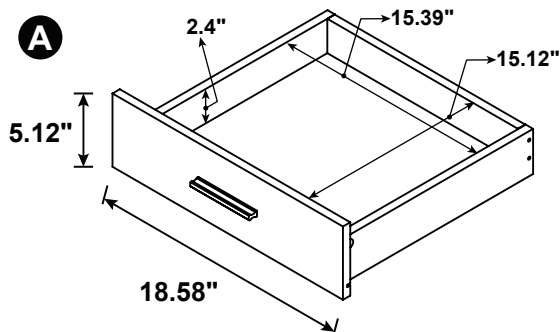
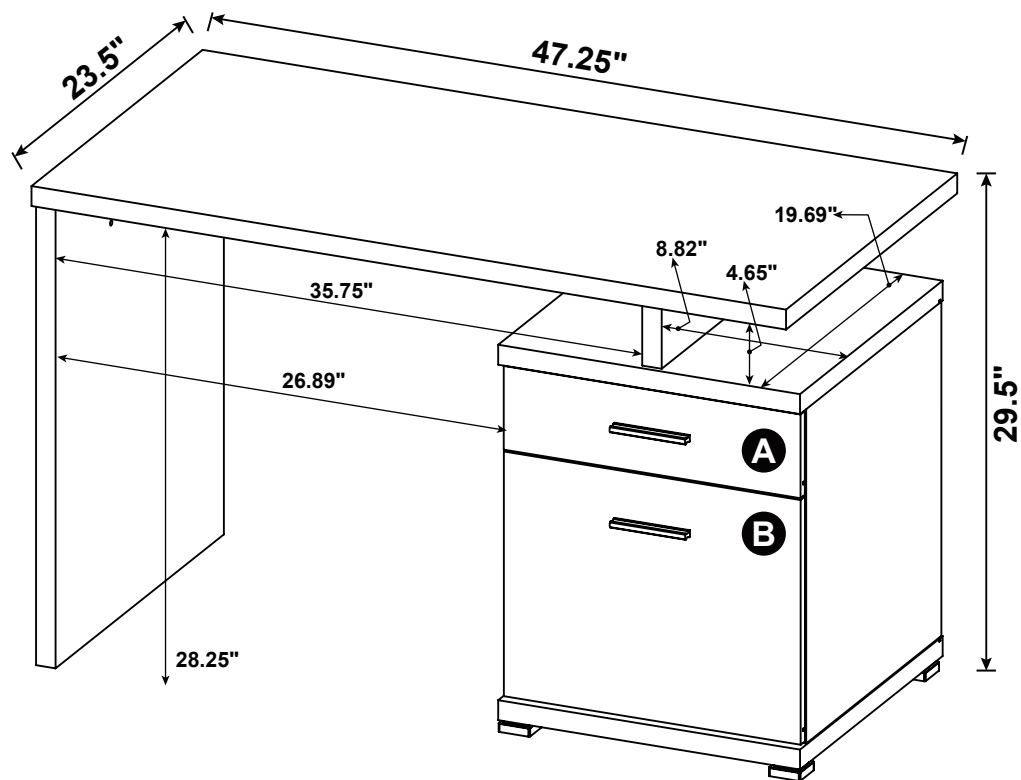


STEP 14

RIGHT

COMPLETE





Note : Dimension tolerance $\pm 5\%$