

ASSEMBLY INSTRUCTIONS
COASTER FINE FURNITURE



Fine Furniture for every stage of life

800554
BOOKCASE

ITEM: 800554

ASSEMBLY INSTRUCTIONS

ASSEMBLY TIPS:

1. Remove hardware from box and sort by size.
2. Please check to see that all hardware and parts are present prior to start of assembly.
3. Please follow attached instructions in the same sequence as numbered to assure fast & easy assembly.



WARNING!

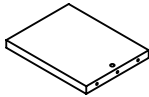
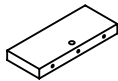

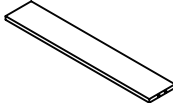
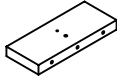
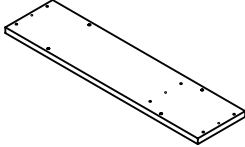
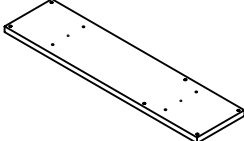
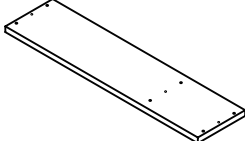
1. Don't attempt to repair or modify parts that are broken or defective. Please contact the store immediately.
2. This product is for home use only and not intended for commercial establishments.



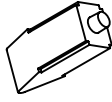

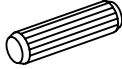

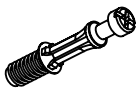
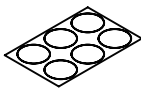
ASSEMBLY TIME

40 MINUTES

PARTS IDENTIFICATION

A	SIDE PANEL		9PCS	E	UPPER DIVIDER PANEL		4PCS
B	LOWER BACK PANEL		1PC	F	UPPER BACK PANEL		2PCS
C	LOWER DIVIDER PANEL		2PCS	G	CROSS PANEL		2PCS
D	BOTTOM PANEL		3PCS	H	TOP PANEL		1PC

HARDWARE IDENTIFICATION

Z	NO	DESCRIPTION	FIGURE	Q'TY	NO	DESCRIPTION	FIGURE	Q'TY
	1	GLUE 40g		1 PC	4	CAM LOCK Ø15x12mm		17PCS
	2	WOODEN DOWEL Ø8x30mm		53PCS	5	BOLT Ø9.5x55mm		26PCS
	3	CAM BOLT Ø7x35.5mm		17PCS	6	STICKER Ø20mm		3PCS

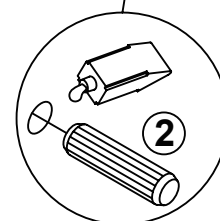
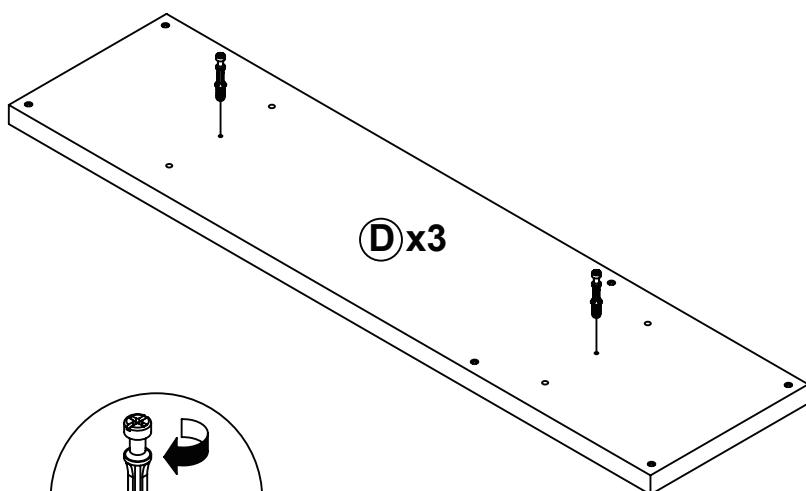
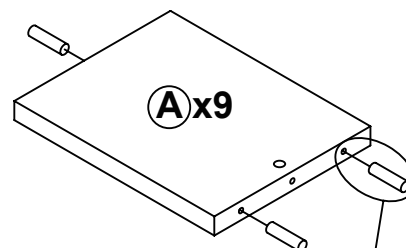
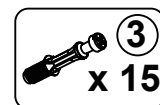
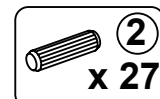
NOTE:

Phillips head screw driver is required in the assembly process; however, manufacturer does not provide this item.

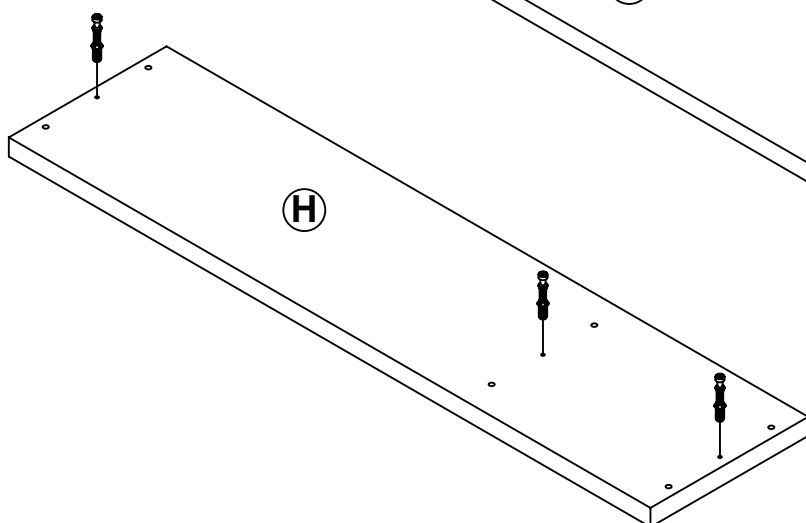
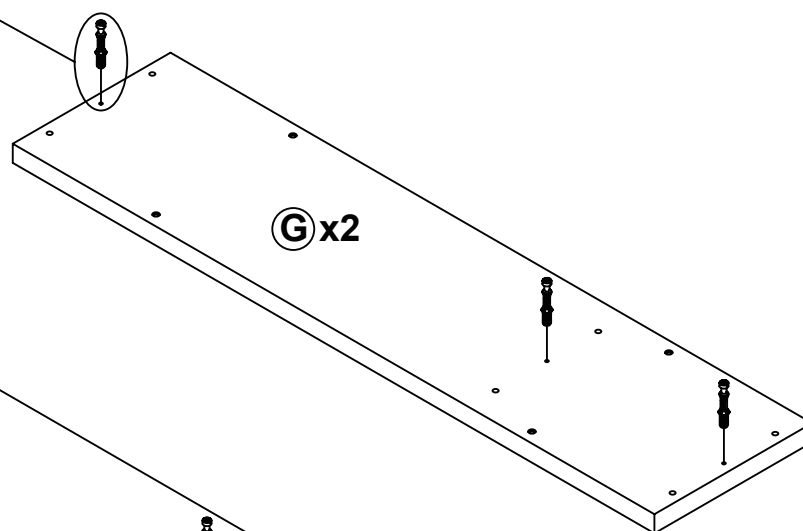
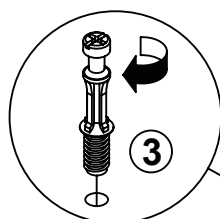
ITEM: 800554

STEP 1

COASTER
FINE FURNITURE

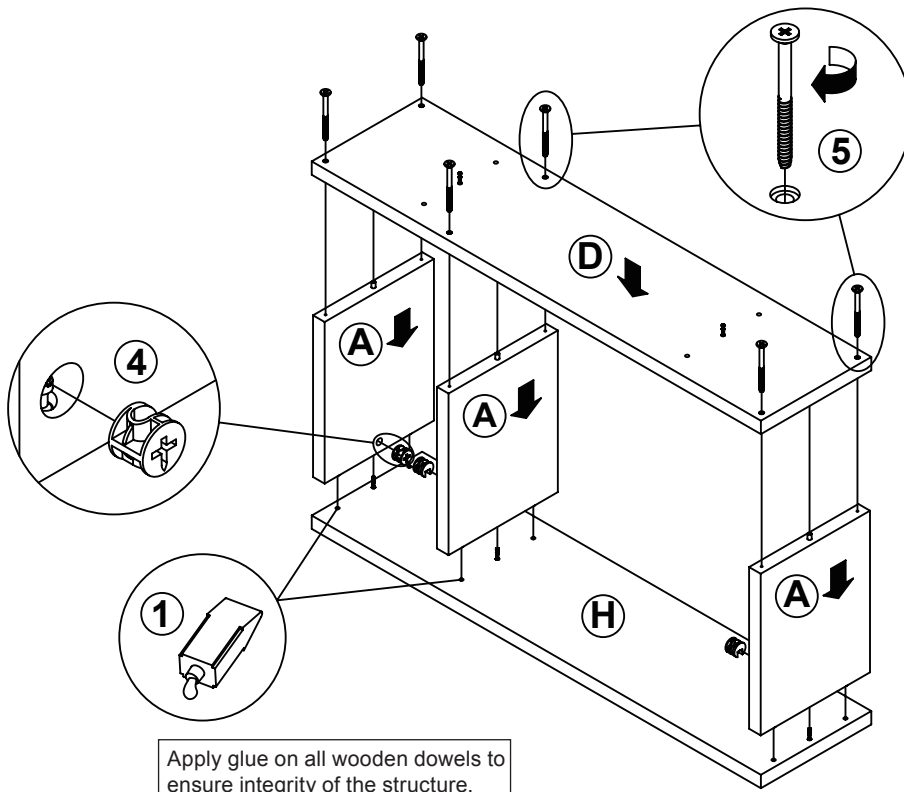
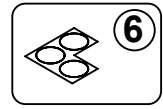
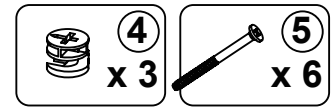


Apply glue on all wooden dowels to ensure integrity of the structure.

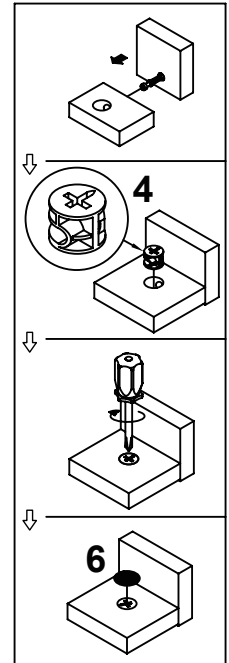


ITEM: 800554

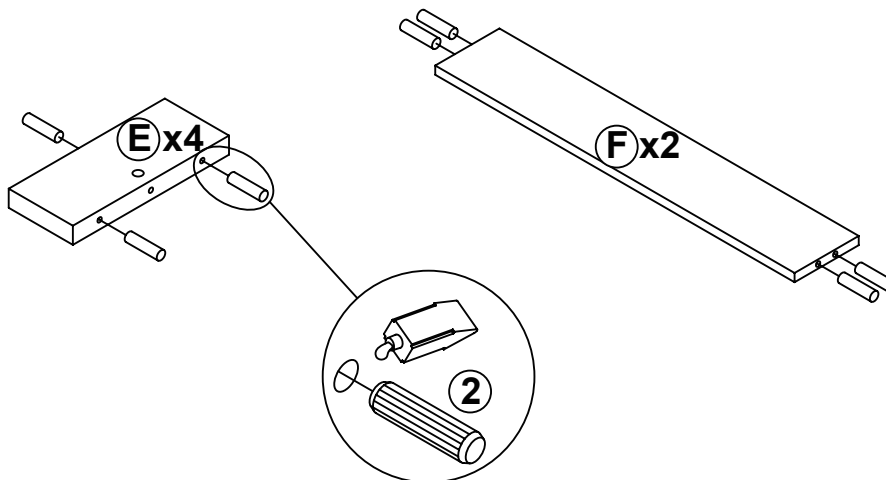
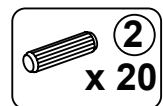
STEP 2



Apply glue on all wooden dowels to ensure integrity of the structure.

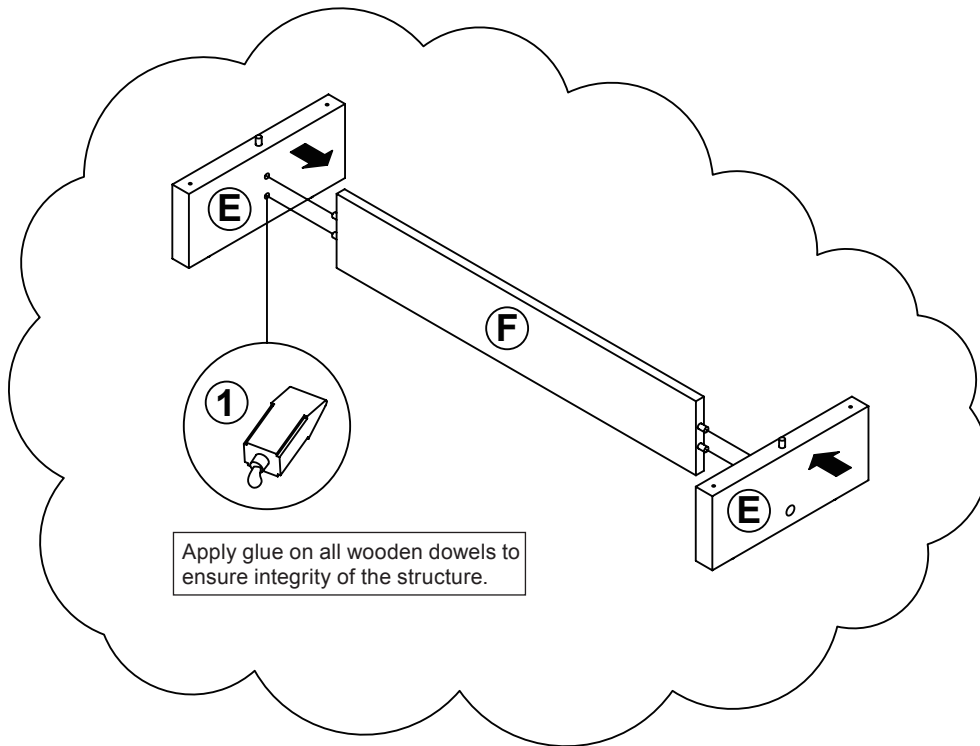


STEP 3

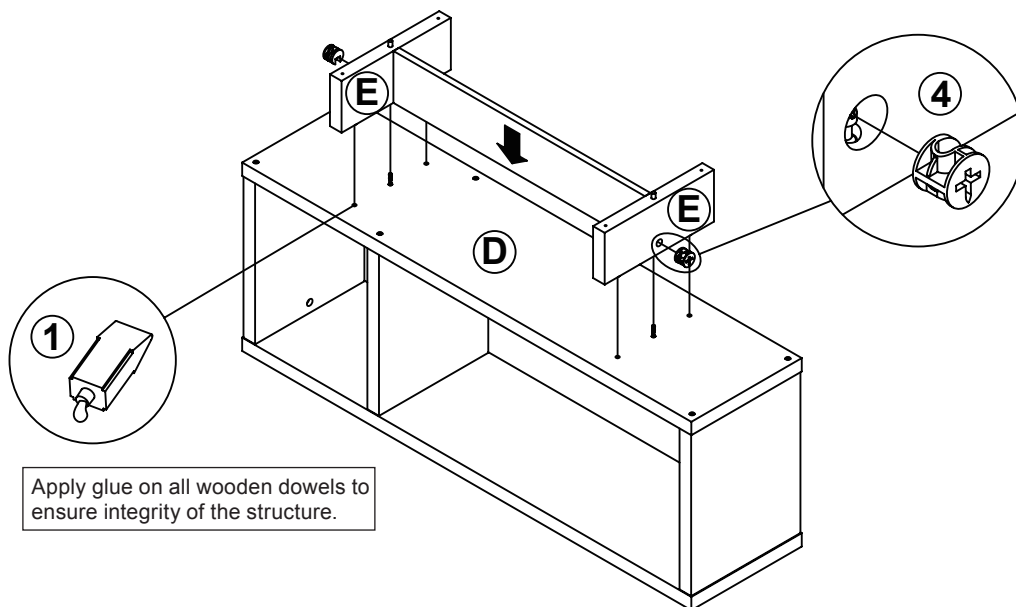
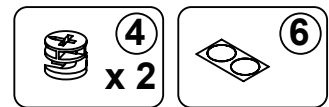


Apply glue on all wooden dowels to ensure integrity of the structure.

STEP 4

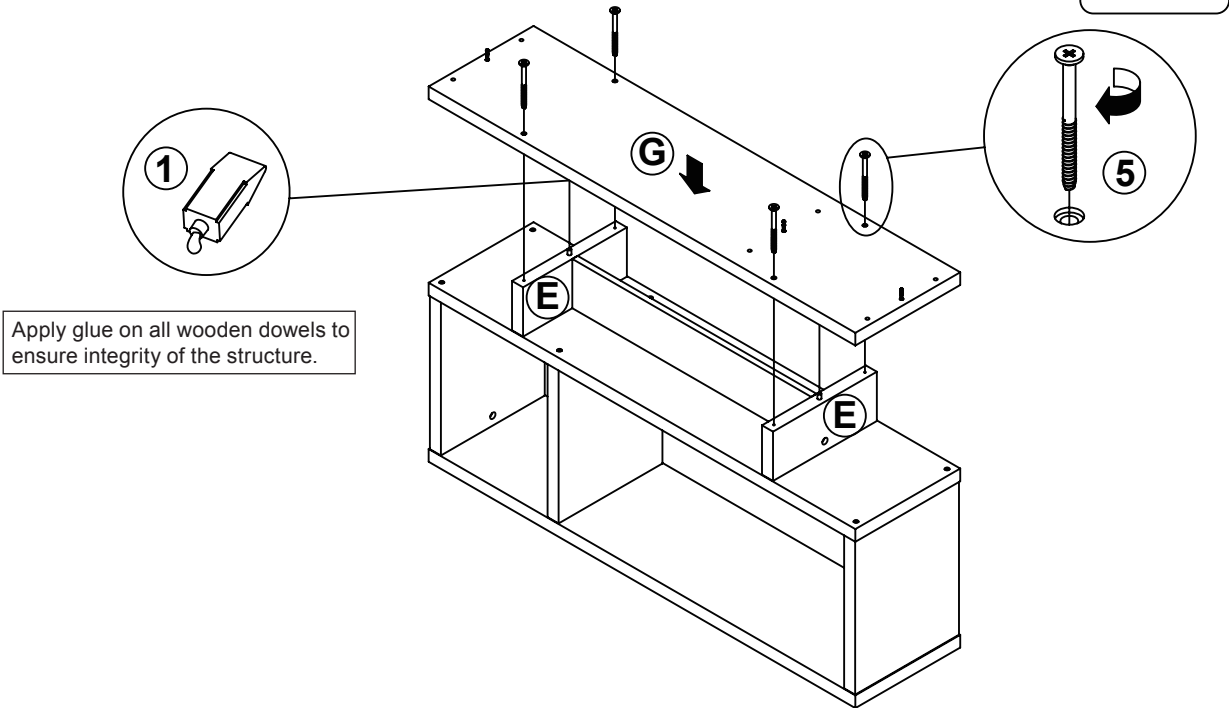


STEP 5

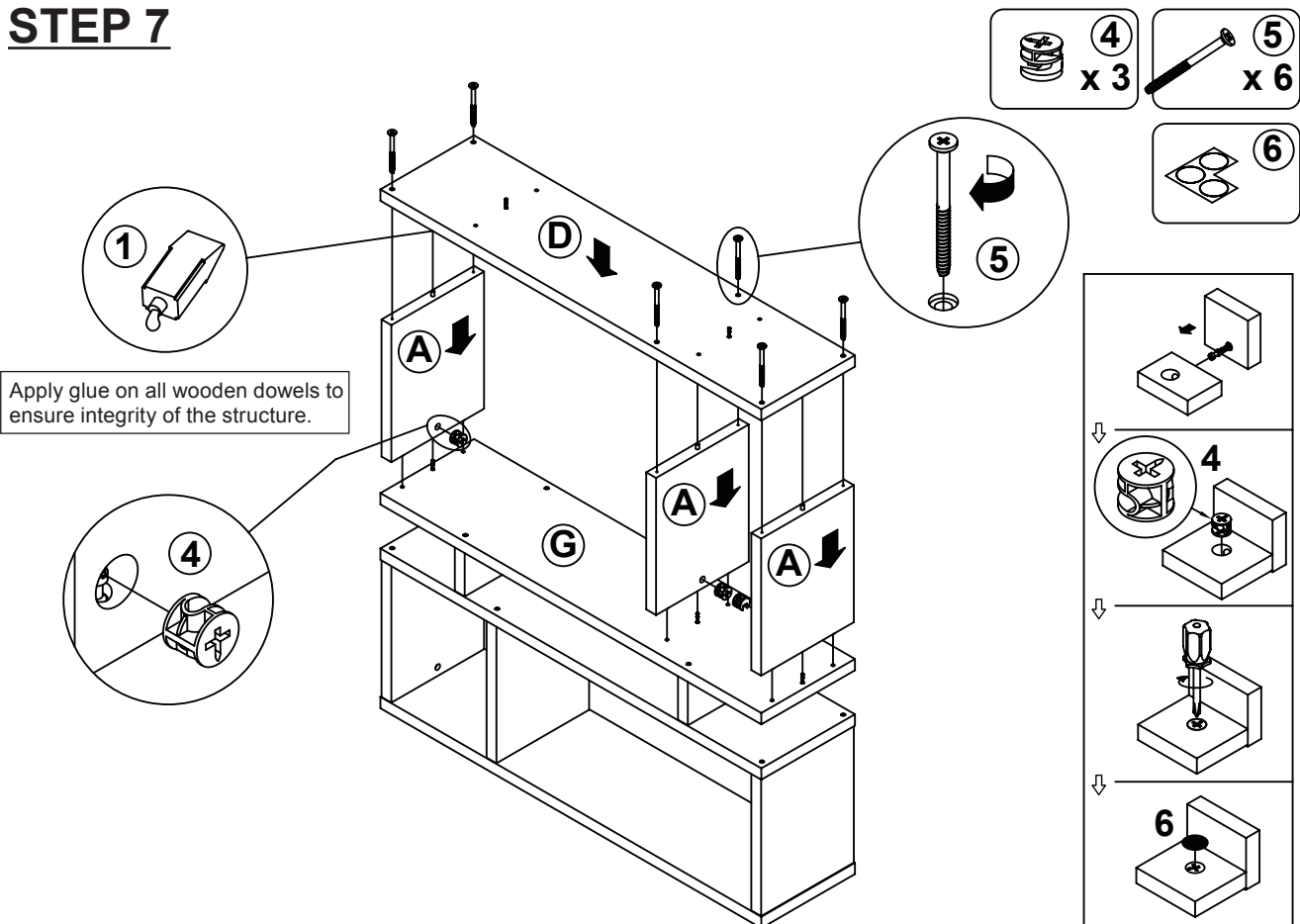


ITEM: **800554**

STEP 6

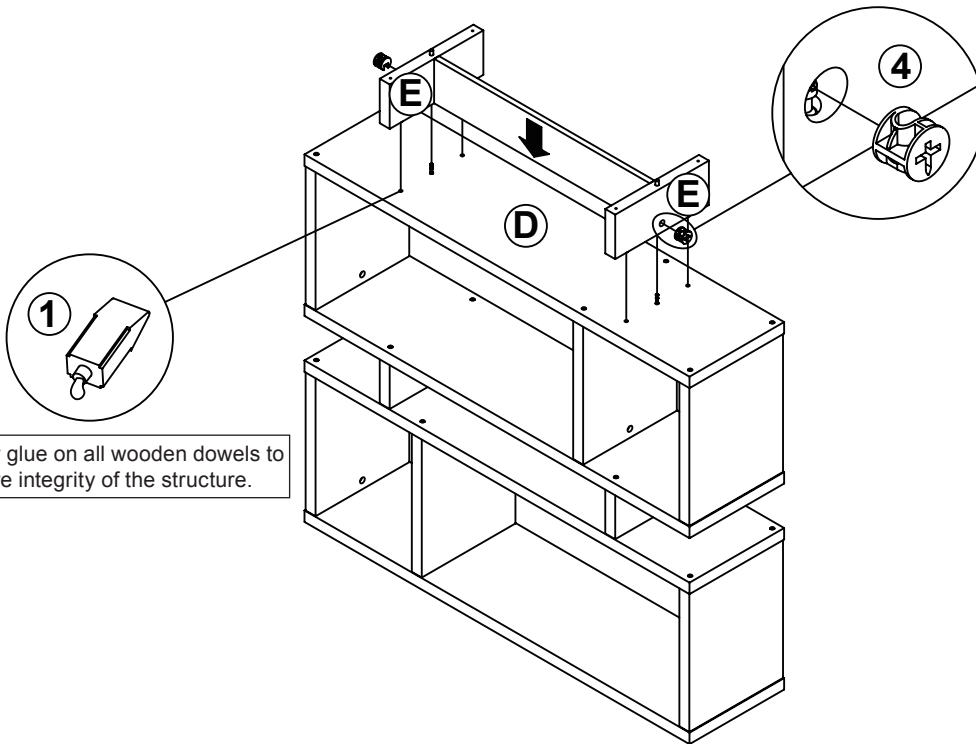
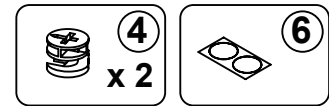


STEP 7

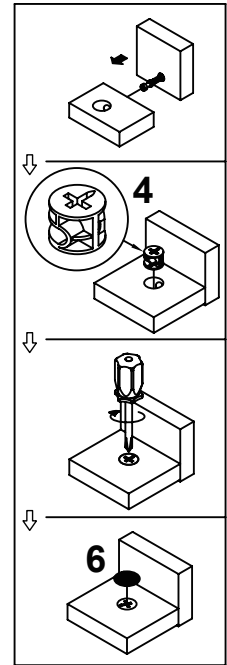


ITEM: **800554**

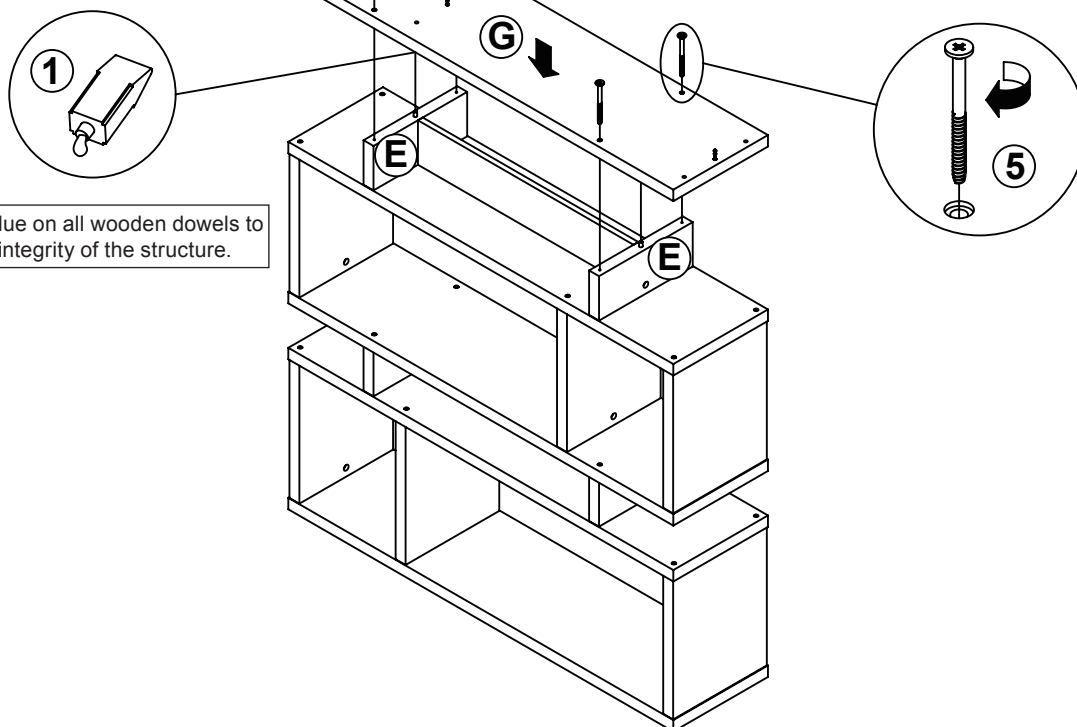
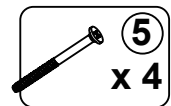
STEP 8



Apply glue on all wooden dowels to ensure integrity of the structure.



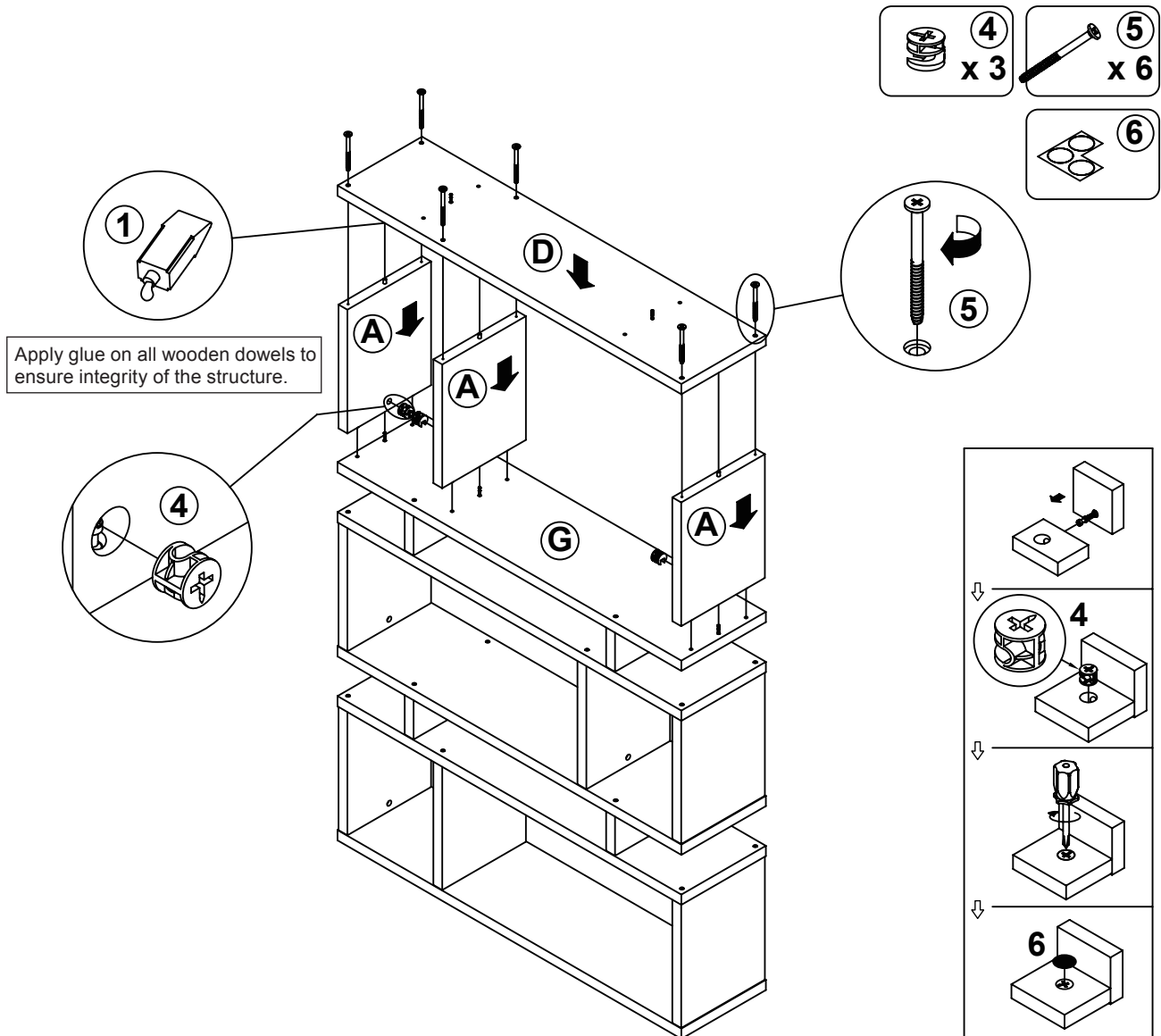
STEP 9



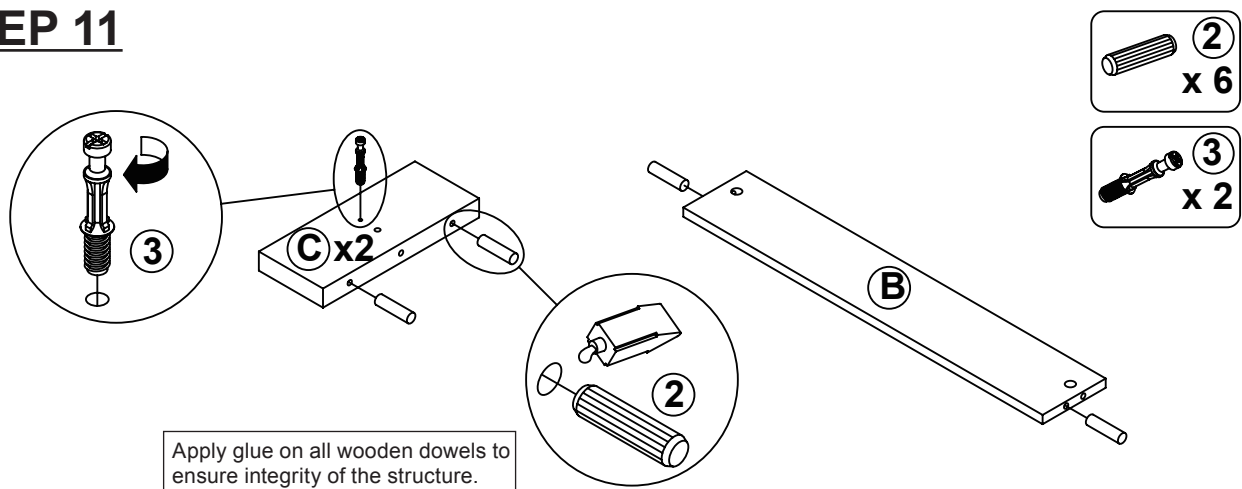
Apply glue on all wooden dowels to ensure integrity of the structure.

ITEM: 800554

STEP 10

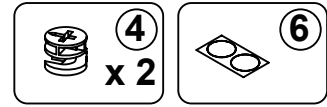


STEP 11

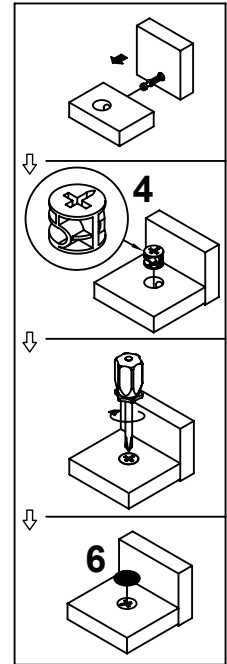
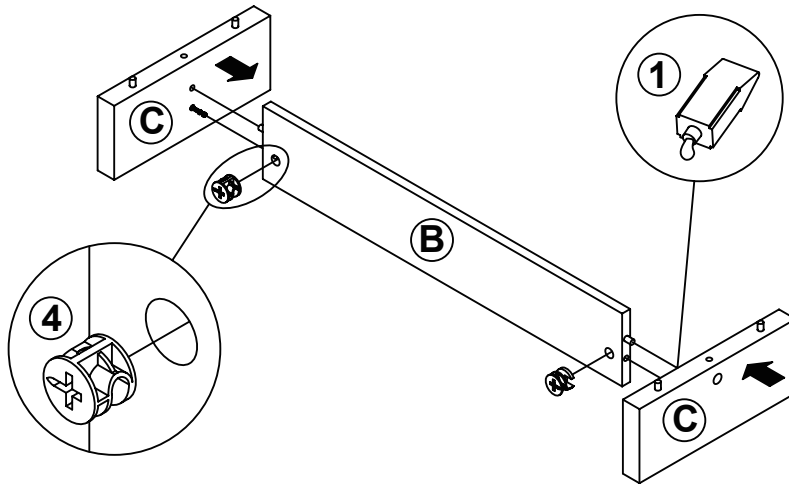


ITEM: 800554

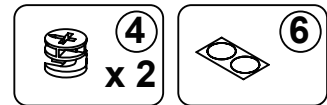
STEP 12



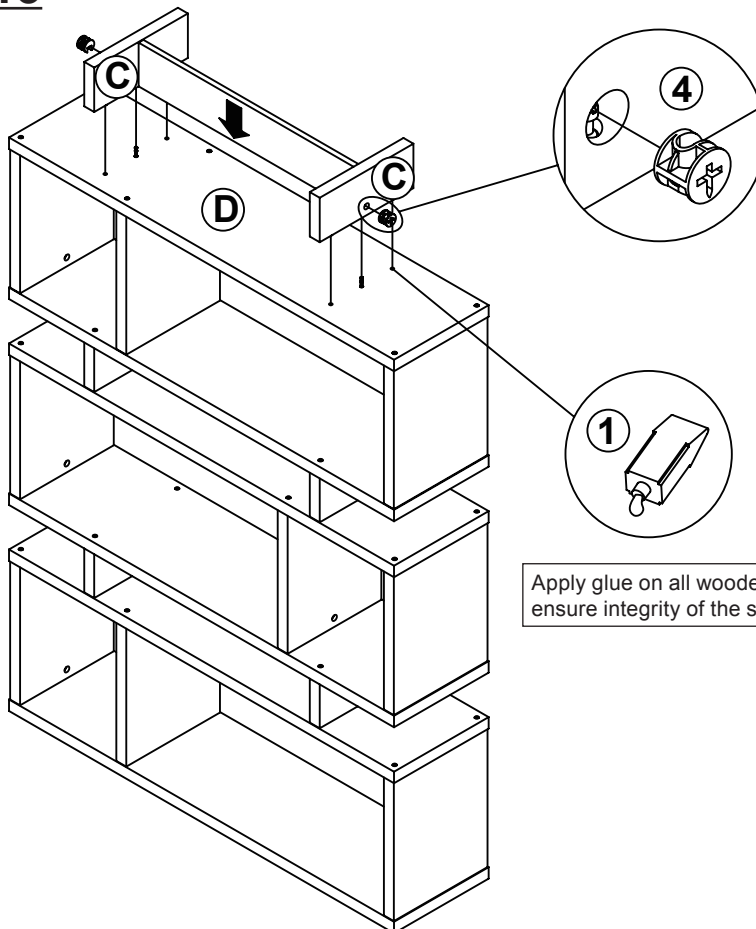
Apply glue on all wooden dowels to ensure integrity of the structure.



STEP 13

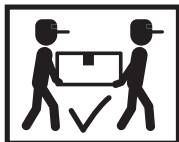
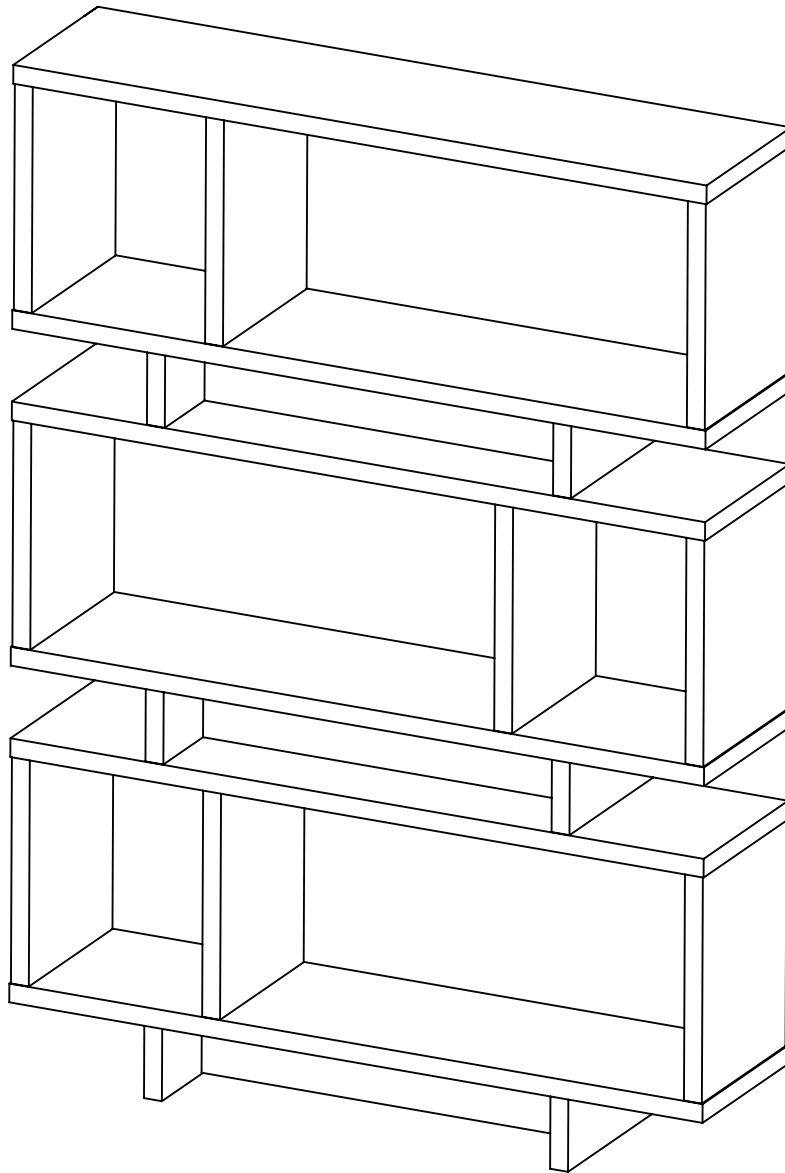


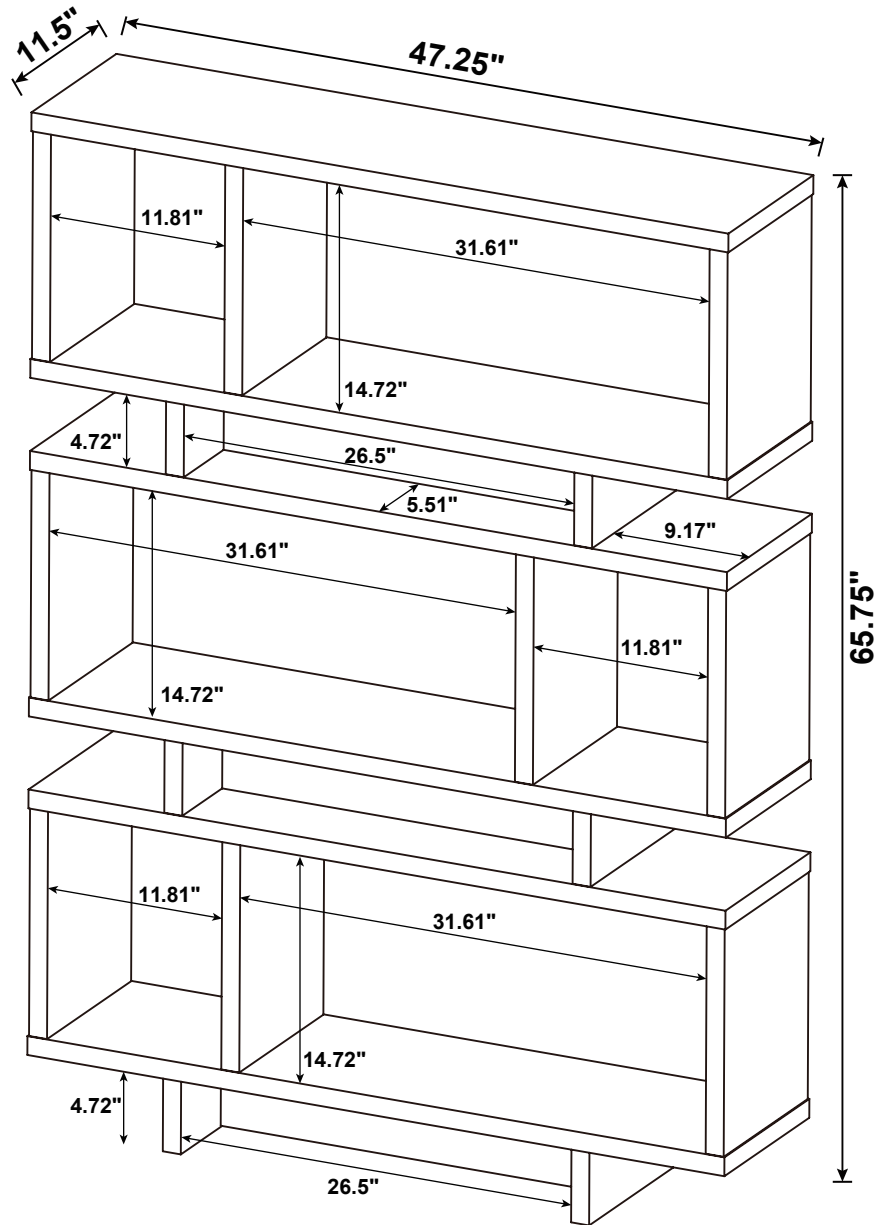
Apply glue on all wooden dowels to ensure integrity of the structure.



ITEM: **800554**

STEP 14
COMPLETE





Note : Dimension tolerance $\pm 5\%$

ANTI-TIPPING INSTALLMENT INSTRUCTIONS

FURNITURE TIPPING RESTRAINT

WARNING

Injury may result from tipping furniture.
This restraint may protect against tipping furniture.
Do not allow children to climb on furniture.
This restraint is not a substitute for proper adult supervision.
Failure to detach this restraint before moving the furniture
may result in injury and damage.

1. To attach the anti-tip strap, securely mount one end to the top of the case piece with the 5/8" screw.
2. Position the case piece against the wall in the desired location.
3. Pull the anti-tip strap taut and mark the position of where you will secure the other end on the wall.
4. Drill a 1-1/4" hole in the spot you marked.
5. Tap in plastic wall plug.
6. Fasten anti-tip strap with wall screw provided.

(Please install the anti-tipping kit in the middle of the case piece if only have one set of anti-tipping kit.)

