

ASSEMBLY INSTRUCTIONS
COASTER FINE FURNITURE



Fine Furniture for every stage of life

801170
BOOKCASE

ITEM: 801170



ASSEMBLY INSTRUCTIONS

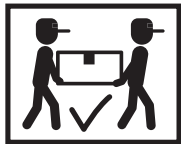
ASSEMBLY TIPS:

1. Remove hardware from box and sort by size.
2. Please check to see that all hardware and parts are present prior to start of assembly.
3. Please follow attached instructions in the same sequence as numbered to assure fast & easy assembly.



WARNING!

1. Don't attempt to repair or modify parts that are broken or defective. Please contact the store immediately.
2. This product is for home use only and not intended for commercial establishments.



ASSEMBLY TIME **120 MINUTES**

PARTS IDENTIFICATION

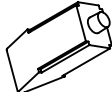






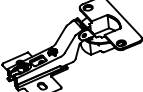





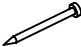


A	LEFT SIDE PANEL		1 PC	J	DOOR		3 PCS
B	LEFT DIVIDER PANEL		1 PC	K	LEFT BACK PANEL		1 PC
C	RIGHT DIVIDER PANEL		1 PC	L	MIDDLE BACK PANEL		1 PC
D	RIGHT SIDE PANEL		1 PC	M	RIGHT BACK PANEL		1 PC
E	BOTTOM PANEL		1 PC	N	DRAWER FRONT PANEL		2 PCS
F	CROSS BRACE		1 PC	O	DRAWER BACK PANEL		2 PCS
G	CROSS PANEL		6 PCS	P	LEFT DRAWER SIDE PANEL		2 PCS
H	LEFT TOP PANEL		1 PC	Q	RIGHT DRAWER SIDE PANEL		2 PCS
I	RIGHT TOP PANEL		2 PCS	R	DRAWER BOTTOM PANEL		2 PCS

NOTE:

Phillips head screw driver is required in the assembly process; however, manufacturer does not provide this item.

ITEM:801170

HARDWARE IDENTIFICATION

Z							
NO	DESCRIPTION	FIGURE	Q'TY	NO	DESCRIPTION	FIGURE	Q'TY
1	GLUE 40g		1 PC	9	PLASTIC FEET Ø 15mm		6 PCS
2	WOODEN DOWEL Ø 8x30mm		56 PCS	10	HANDLE		5 PCS
3	CAM BOLT Ø 7x35.5mm		44 PCS	11	SHORT BOLT Ø 4x23mm		5 PCS
4	CAM LOCK Ø 15x12mm		44 PCS	12	HINGE		6 PCS
5	LONG BOLT Ø 9.5x55mm		4 PCS	13	SCREW Ø 4x15mm FOR HINGE		24 PCS
6	LONG SCREW Ø 4.3x35mm		8 PCS	14	DOOR CATCH		3 PCS
7	RAIL L = 350mm		2 SET	15	NAIL		64 PCS
8	SHORT SCREW Ø 3x10mm		24 PCS	16	STICKER Ø 20mm		8 PCS

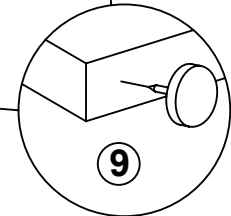
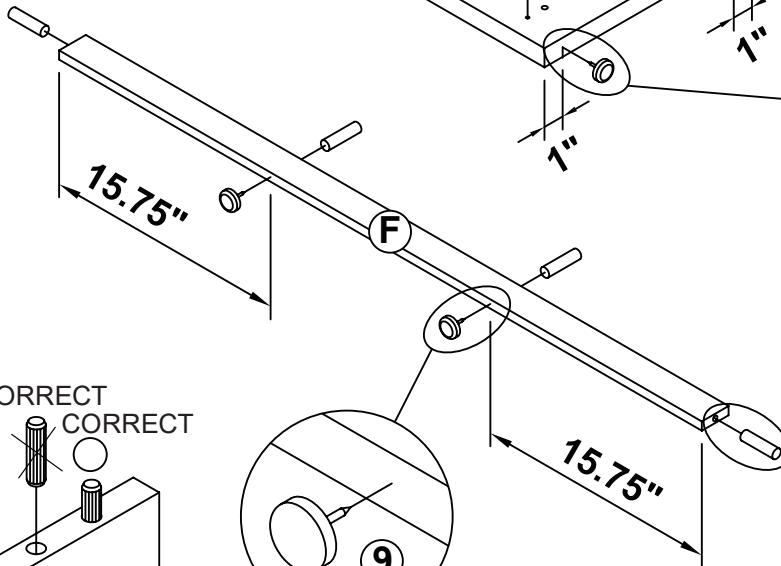
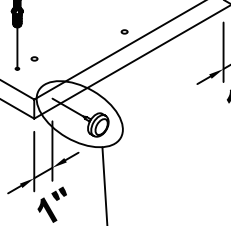
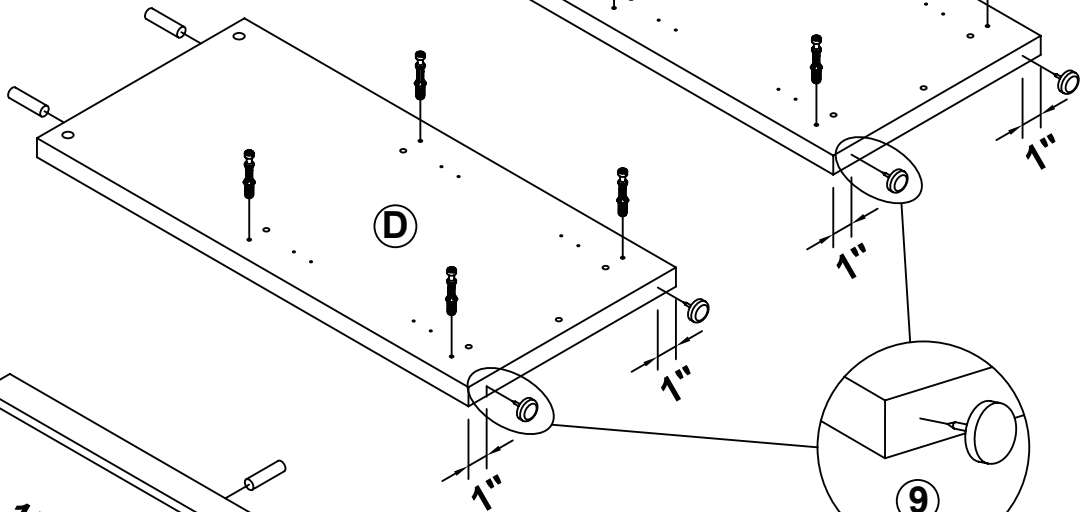
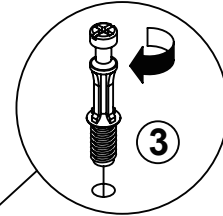
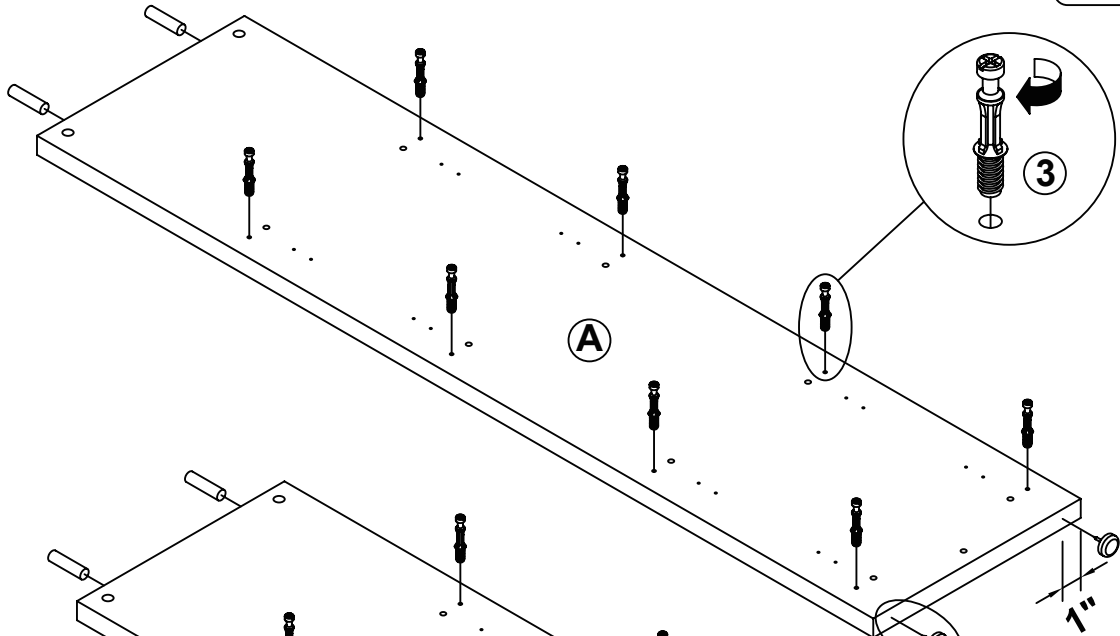
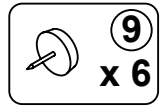
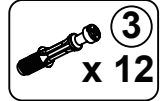
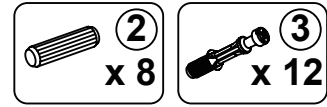
Z7,Z10,Z12 not included in blister packaging.

NOTE:

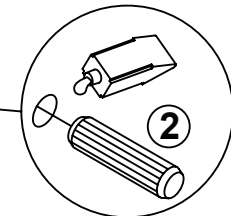
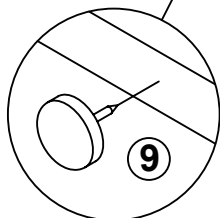
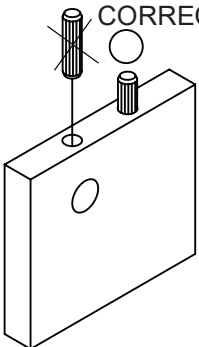
Phillips head screw driver is required in the assembly process; however, manufacturer does not provide this item.

ITEM: 801170

STEP 1



INCORRECT
CORRECT

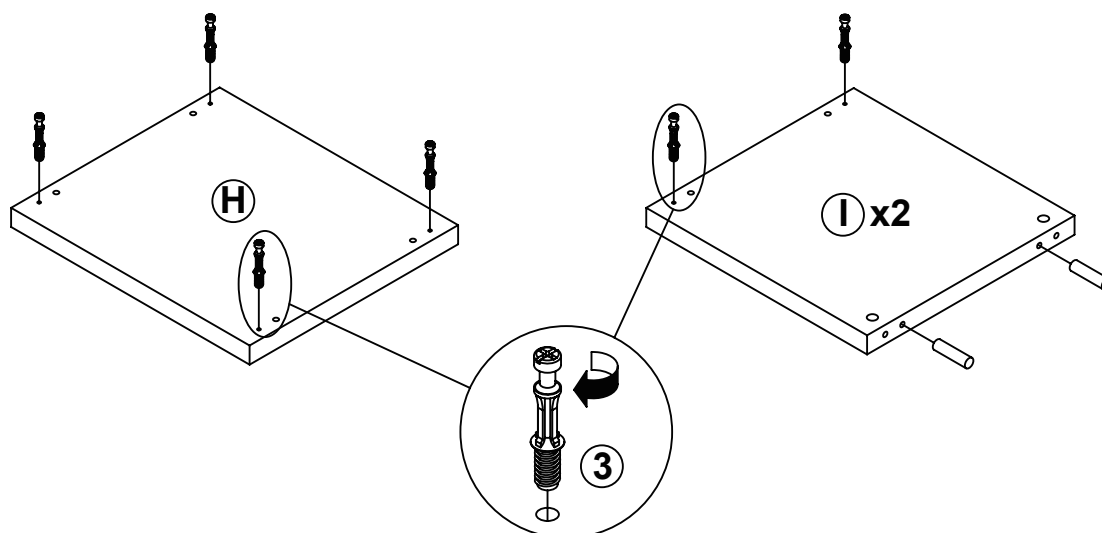
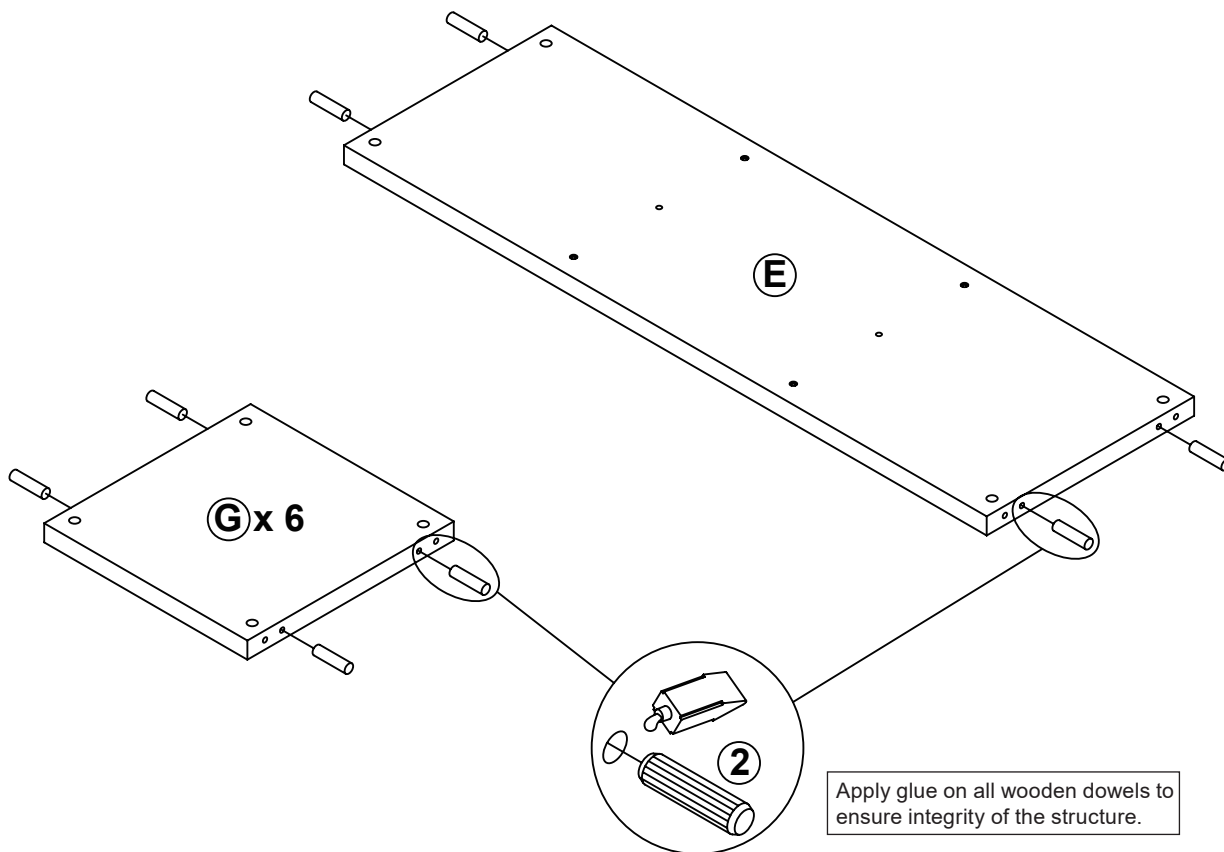


Apply glue on all wooden dowels to ensure integrity of the structure.

ITEM: 801170

COASTER
FINE FURNITURE

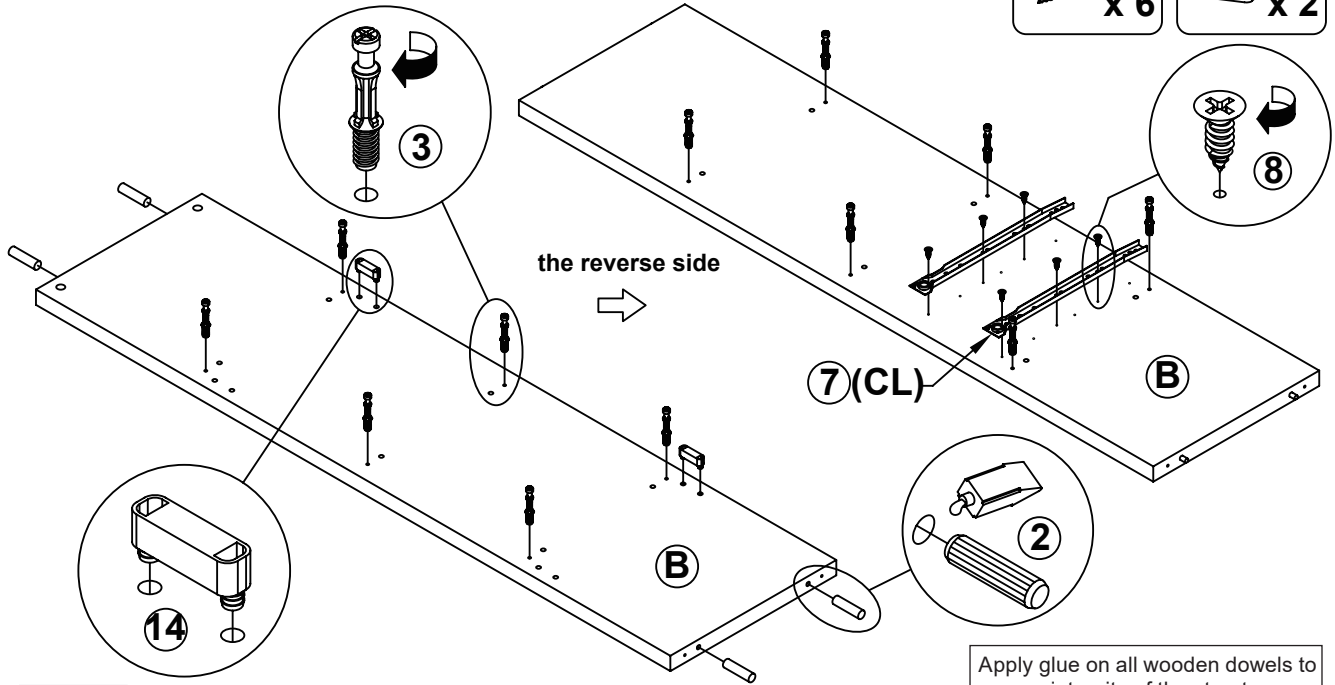
STEP 2



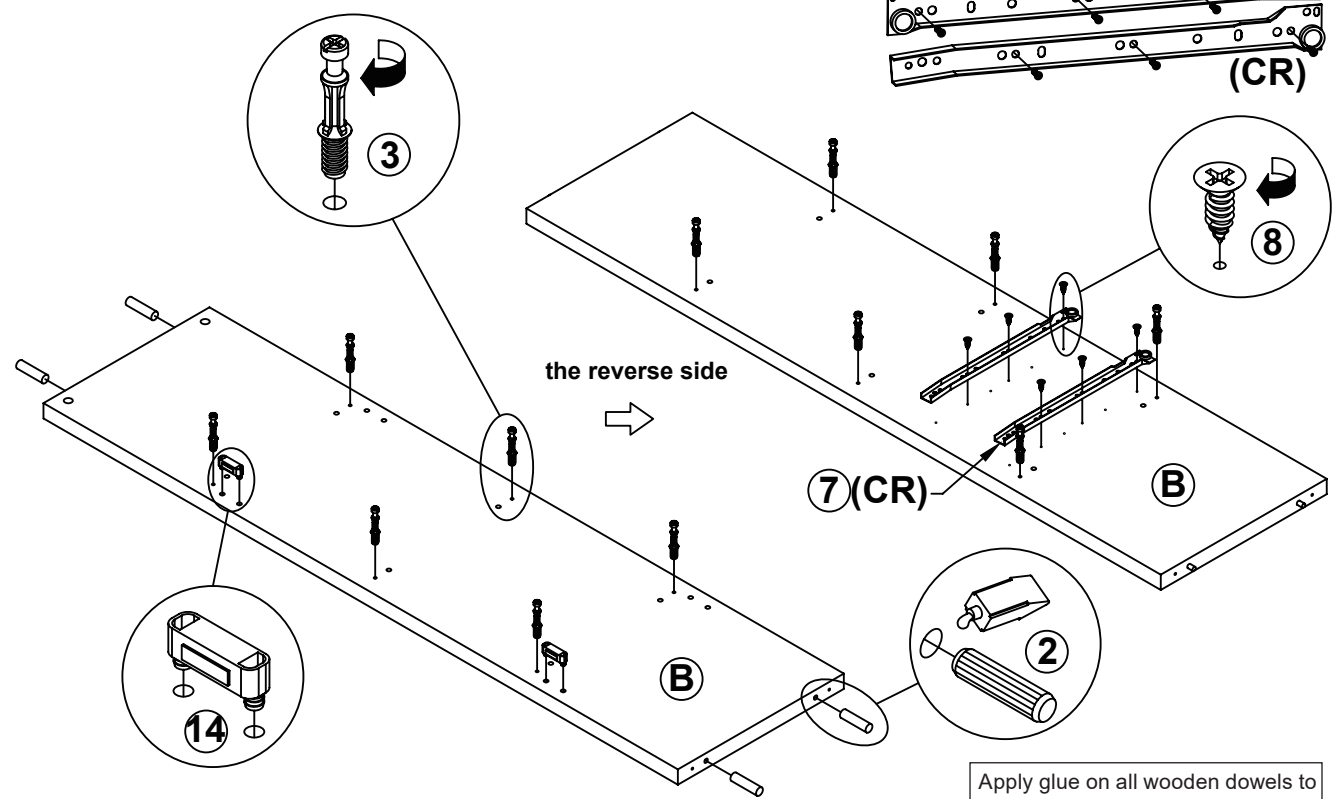
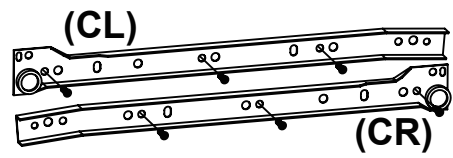
ITEM: 801170

STEP 3

- ② x 4
- ③ x 12
- ⑦ x 2 CL
- ⑧ x 6
- ⑭ x 2



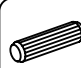




LEFT

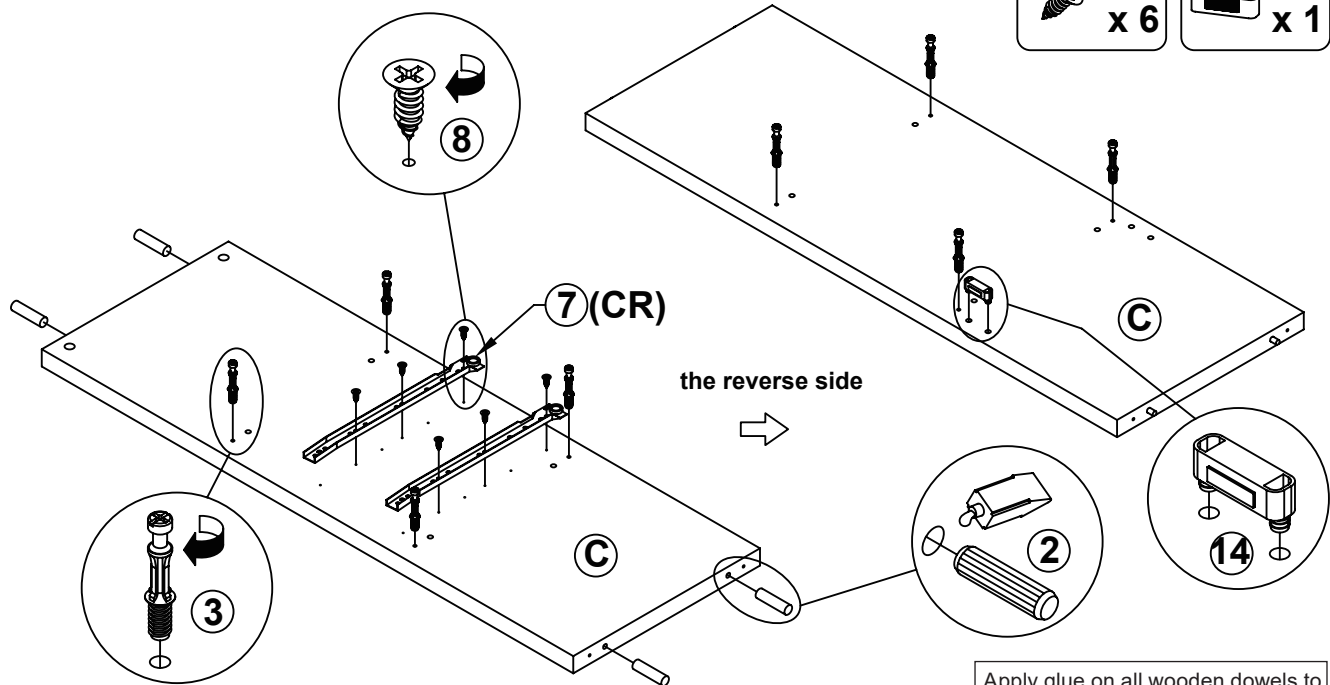


RIGHT

ITEM: 801170

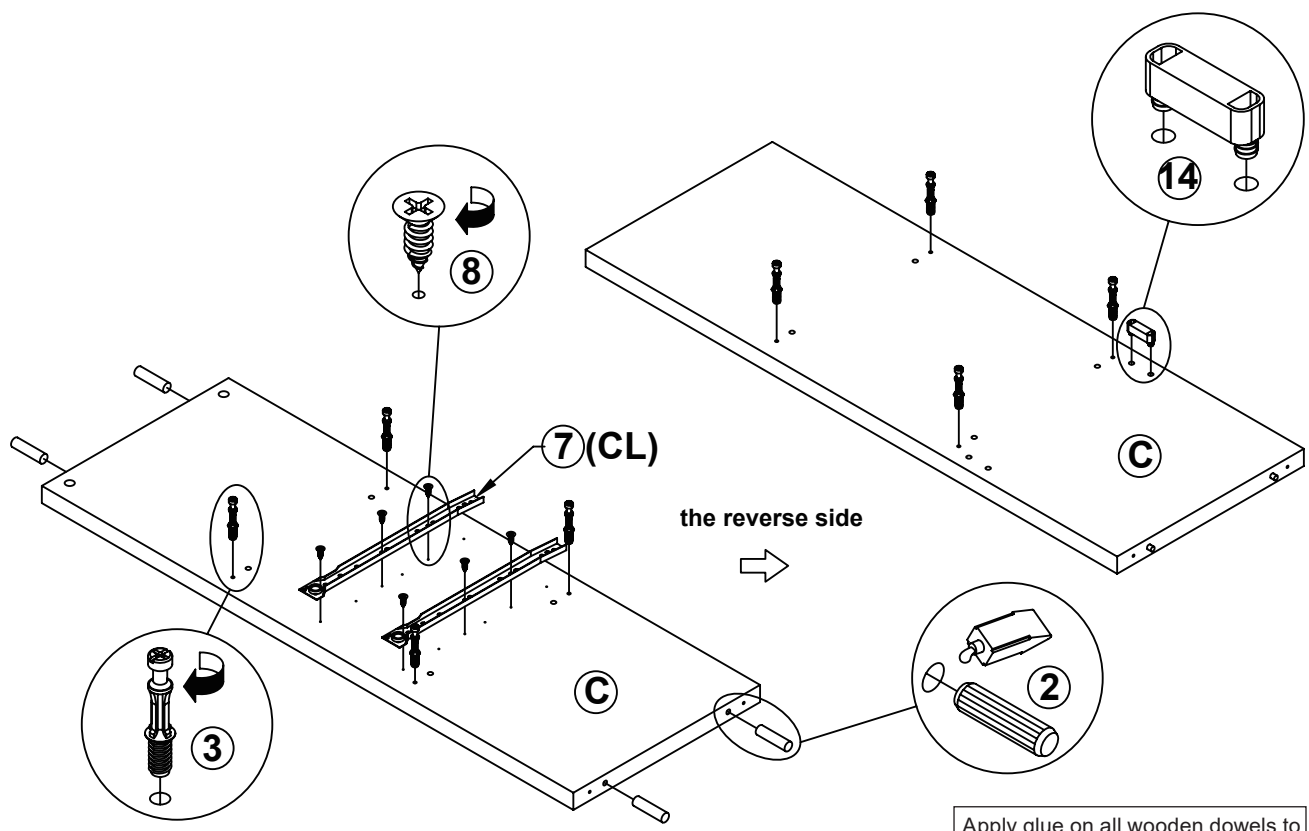
STEP 4

-  2 x 4
-  3 x 8
-  7 x 2 CR
-  8 x 6
-  14 x 1



LEFT

Apply glue on all wooden dowels to ensure integrity of the structure.

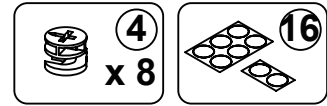


RIGHT

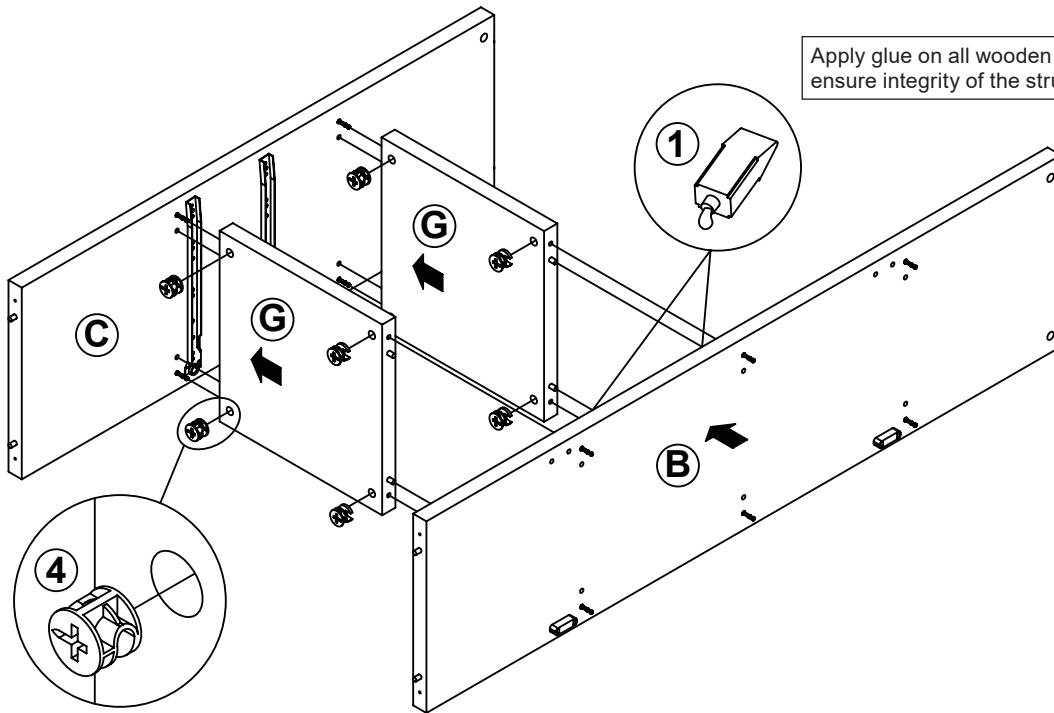
Apply glue on all wooden dowels to ensure integrity of the structure.

ITEM: 801170

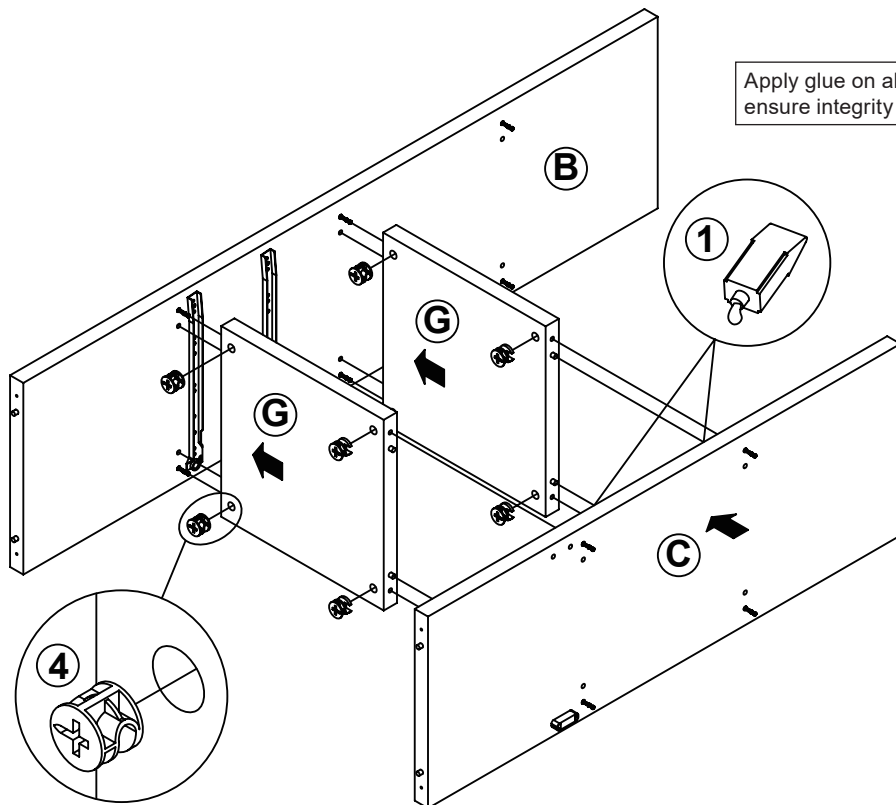
STEP 5



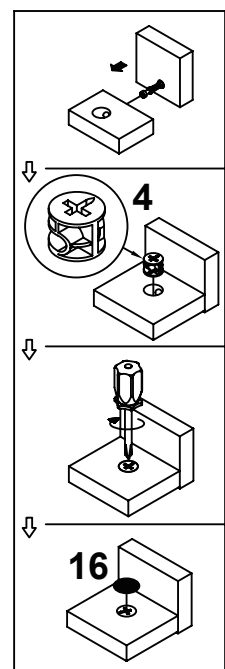
Apply glue on all wooden dowels to ensure integrity of the structure.



LEFT



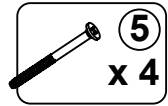
Apply glue on all wooden dowels to ensure integrity of the structure.



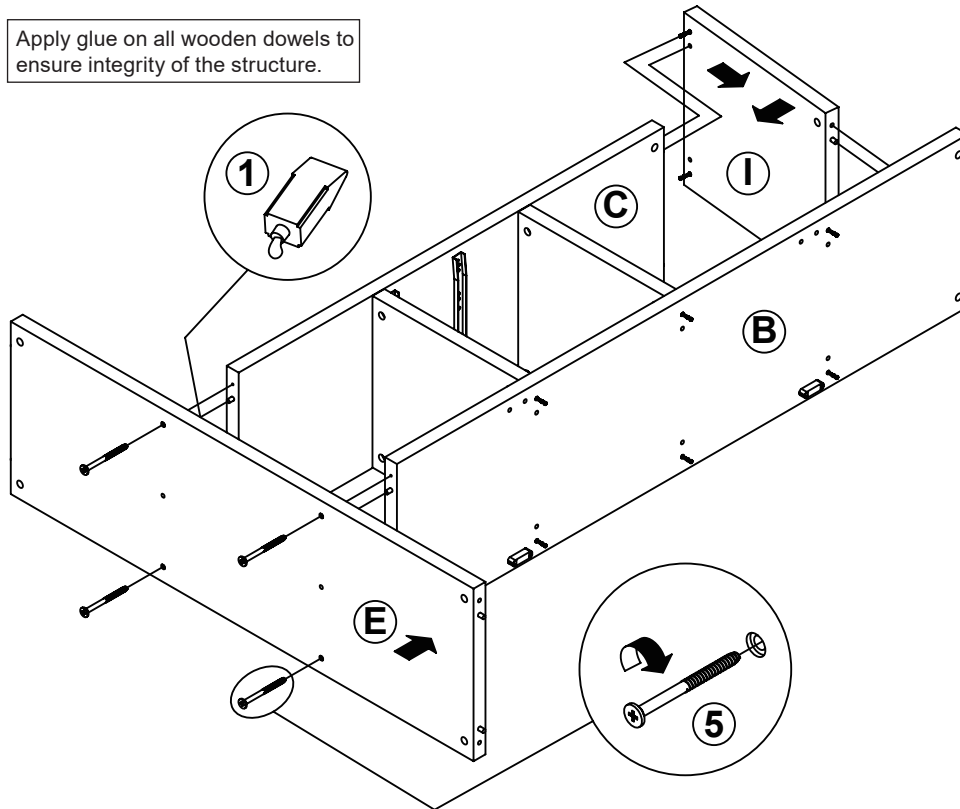
RIGHT

ITEM: 801170

STEP 6

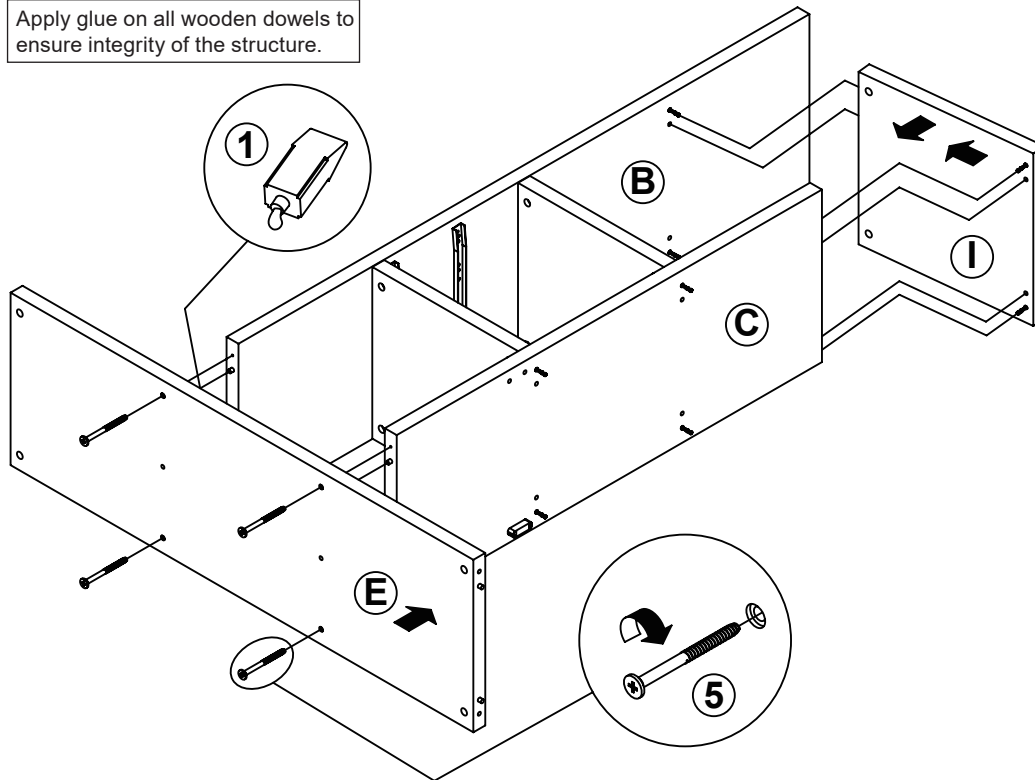


Apply glue on all wooden dowels to ensure integrity of the structure.



LEFT

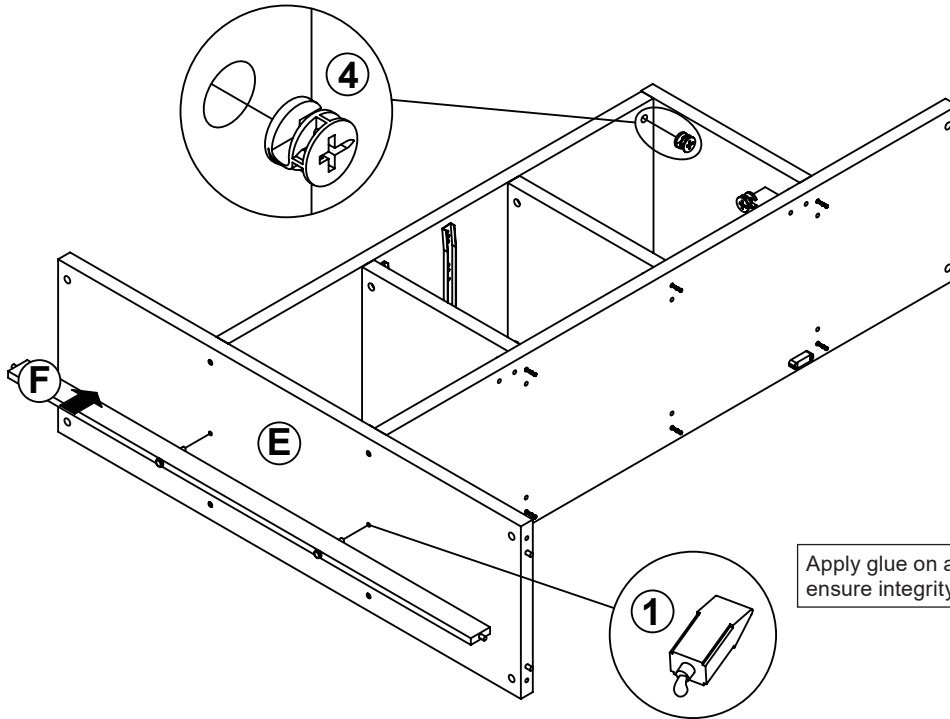
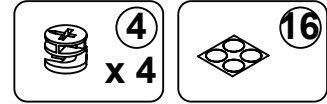
Apply glue on all wooden dowels to ensure integrity of the structure.



RIGHT

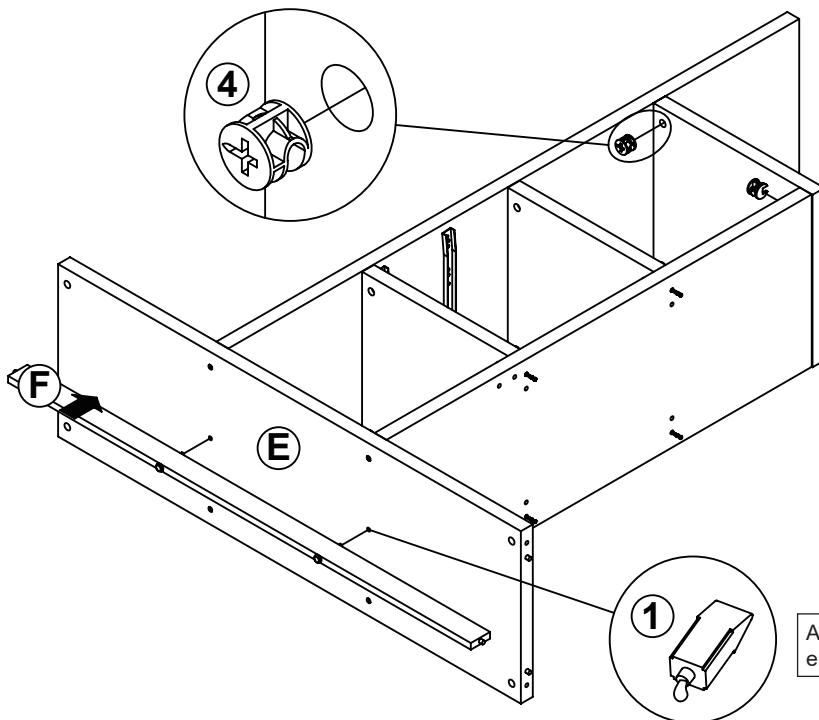
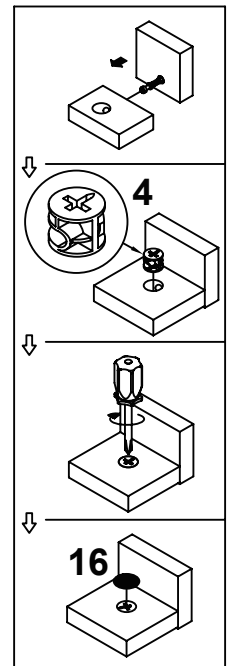
ITEM: 801170

STEP 7



Apply glue on all wooden dowels to ensure integrity of the structure.

LEFT

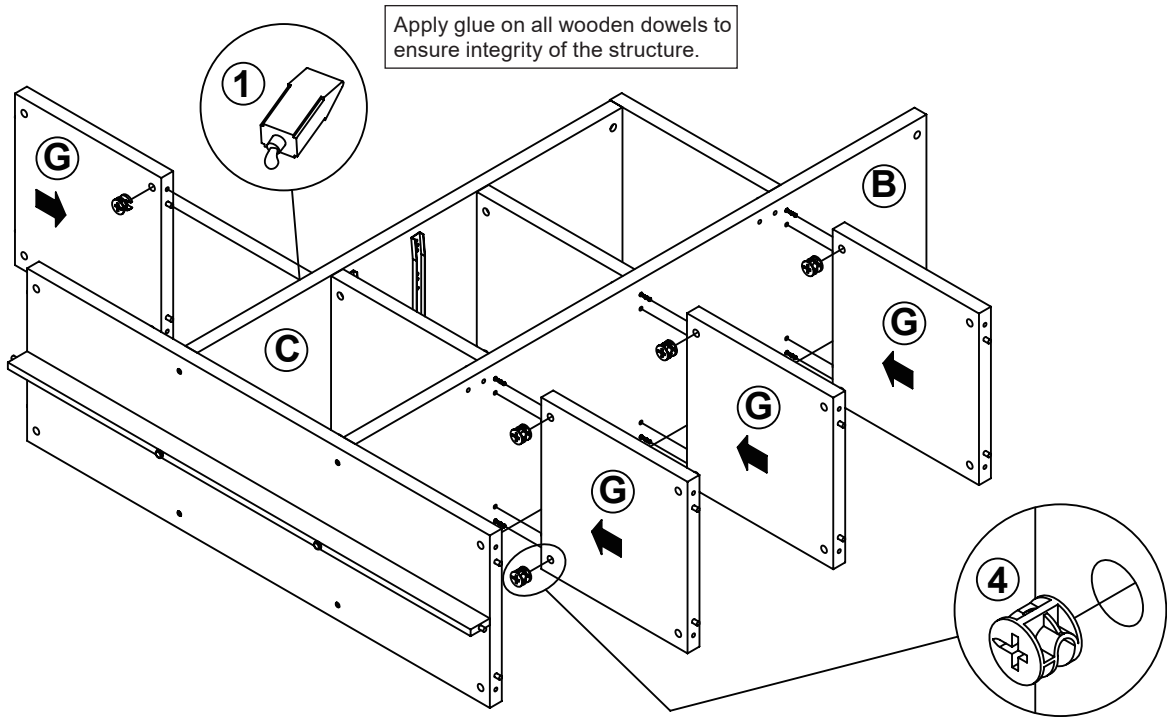
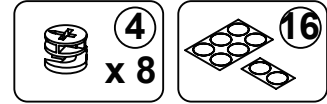


Apply glue on all wooden dowels to ensure integrity of the structure.

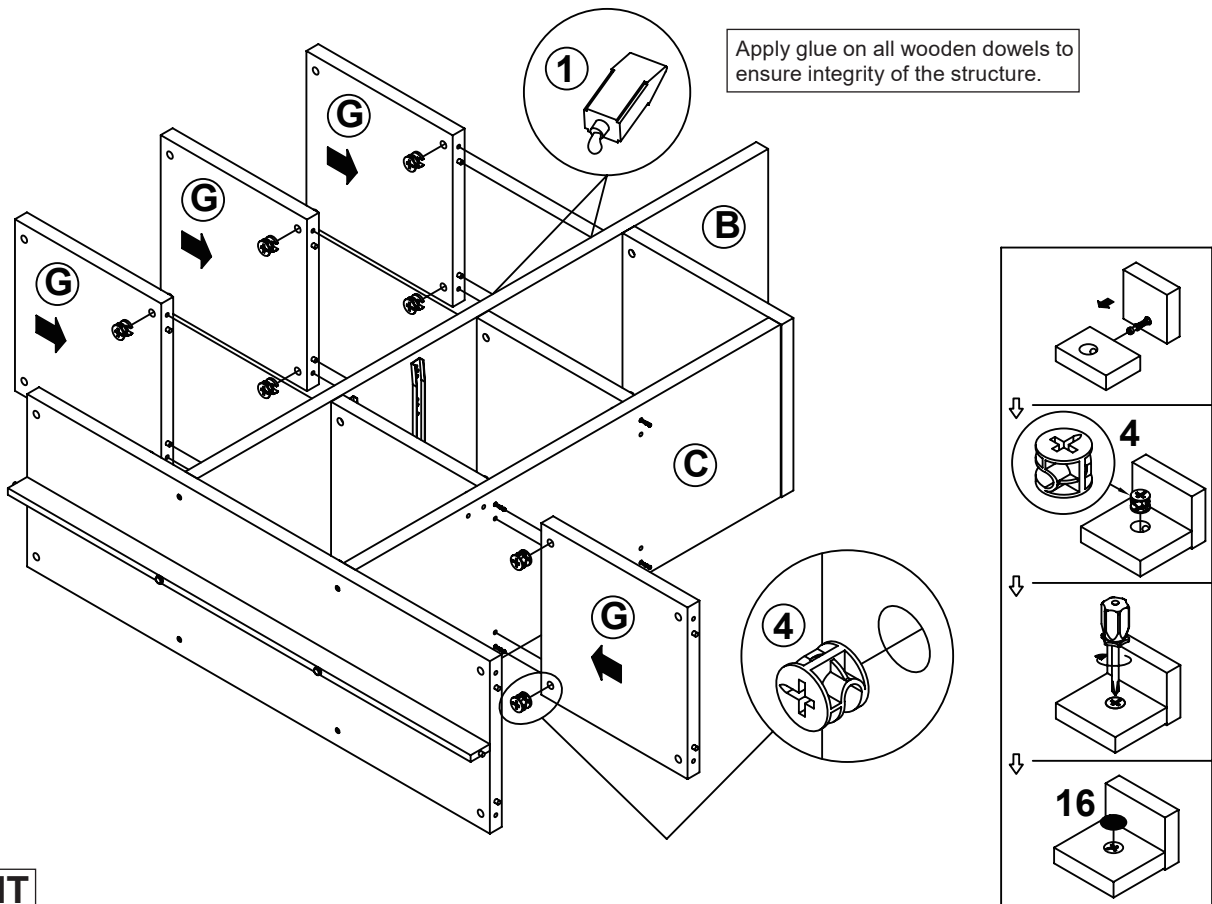
RIGHT

ITEM: 801170

STEP 8



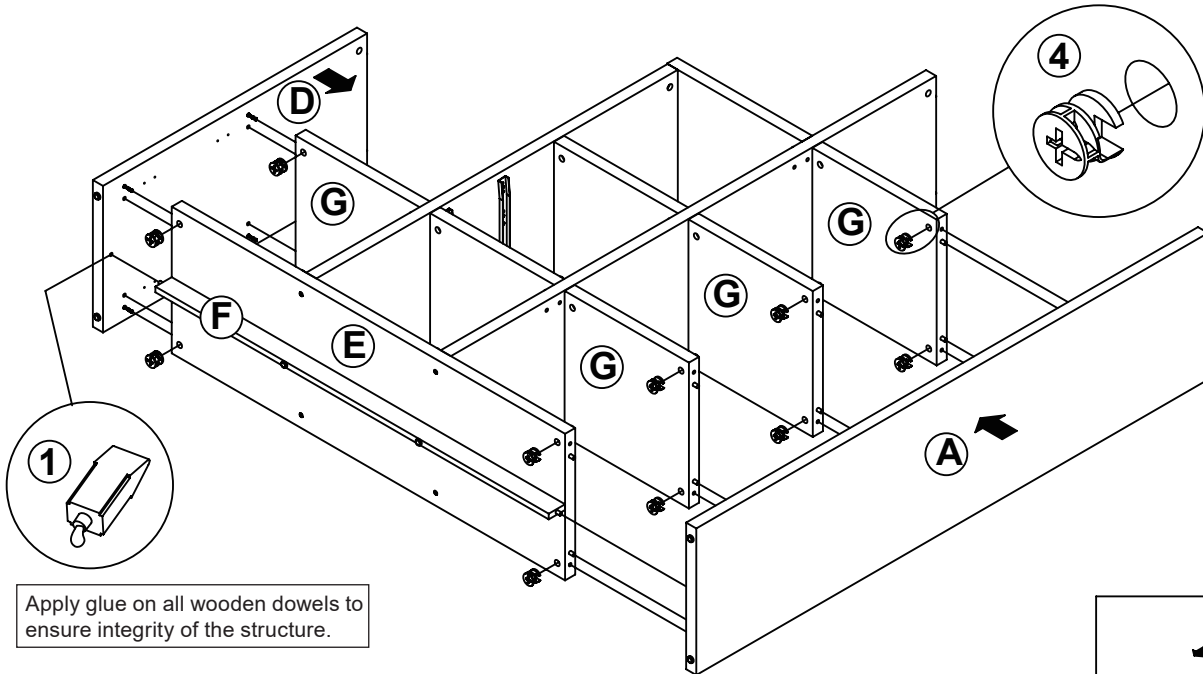
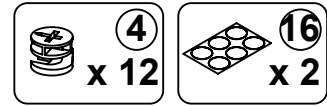
LEFT



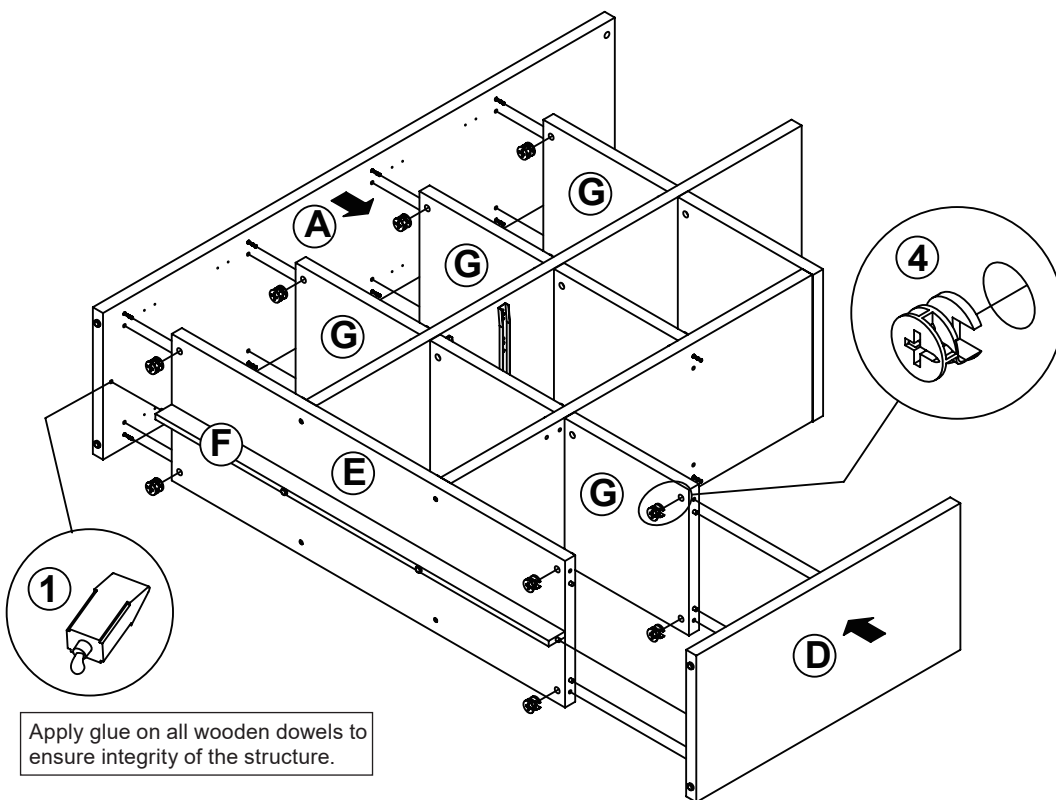
RIGHT

ITEM: 801170

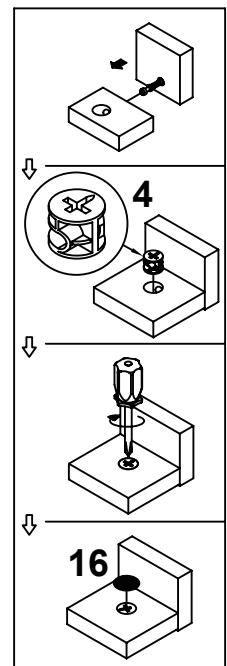
STEP 9



LEFT

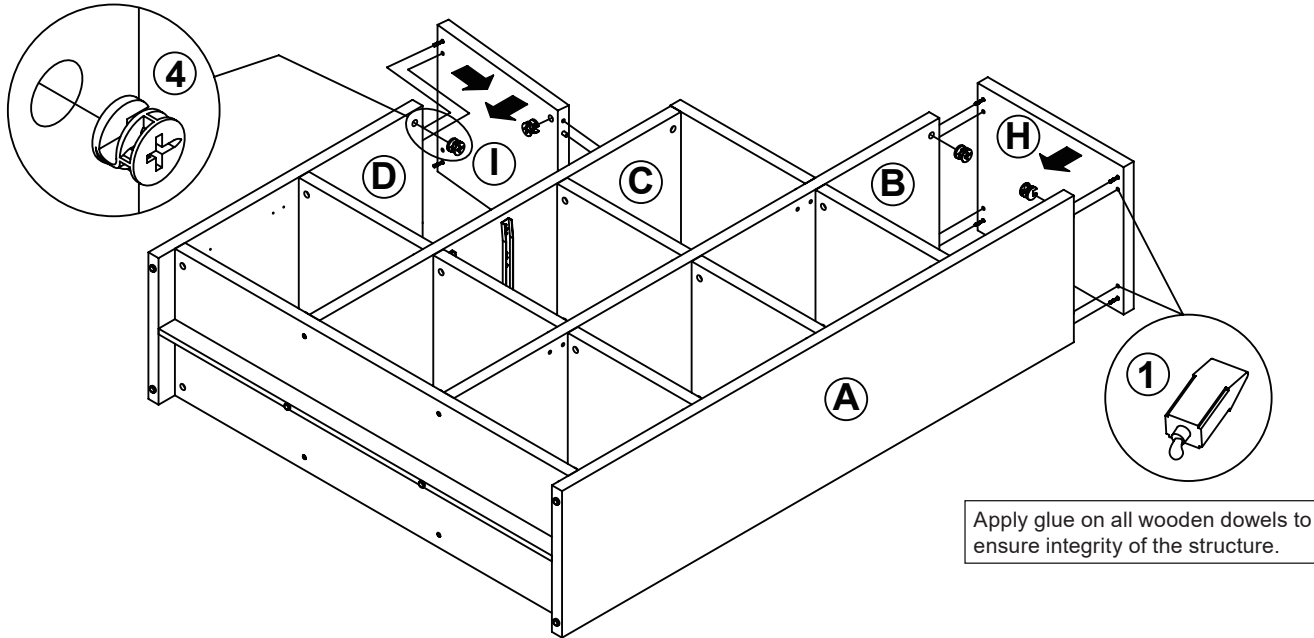
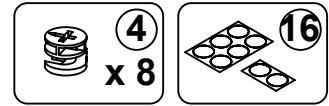


RIGHT

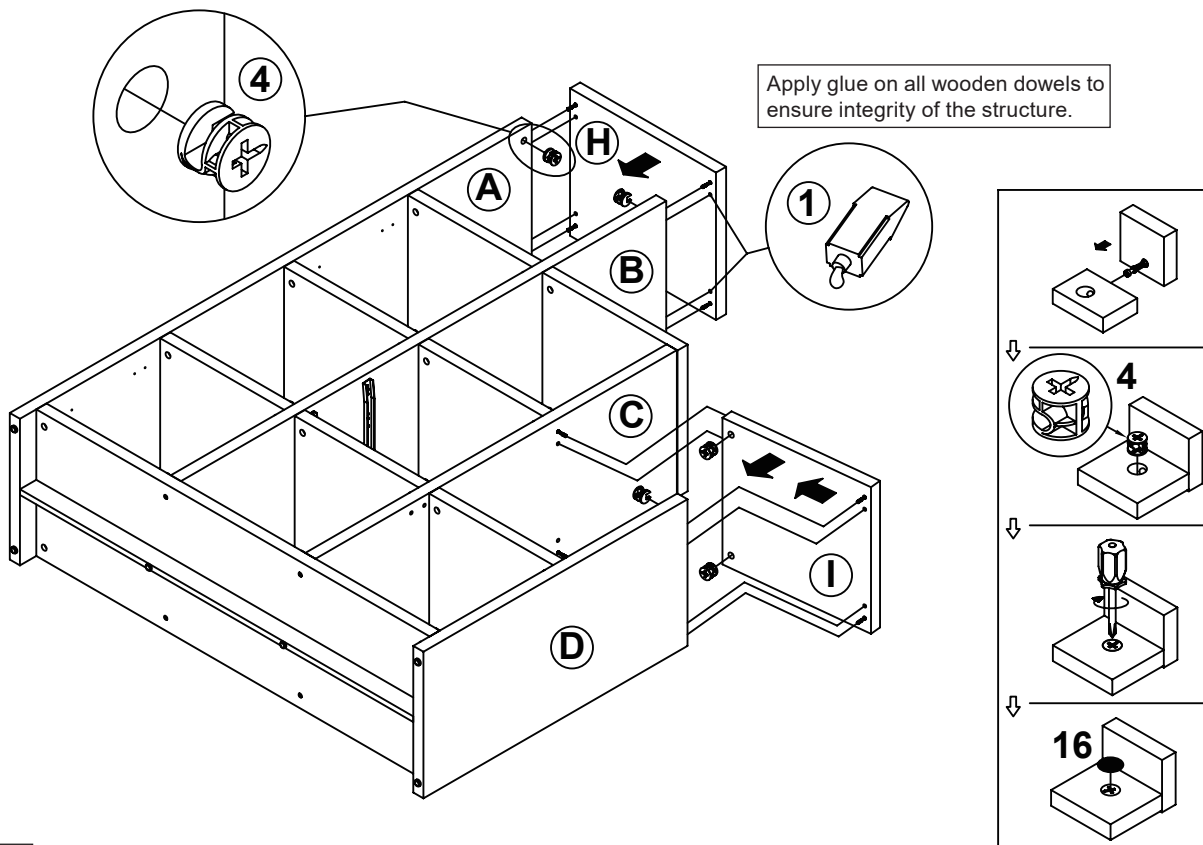


ITEM: 801170

STEP 10



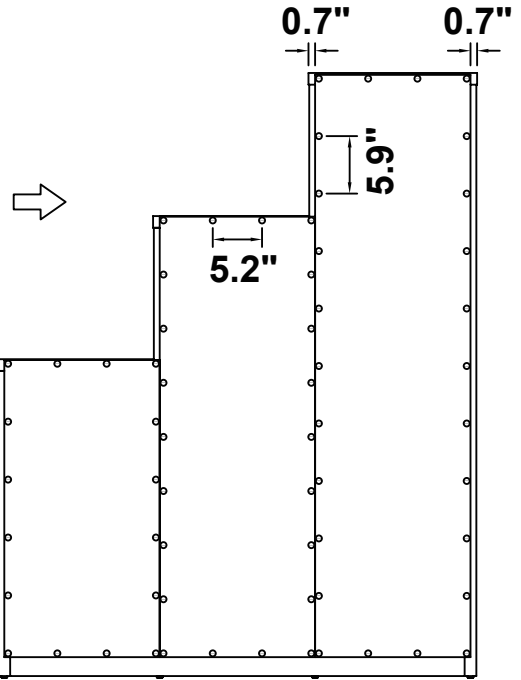
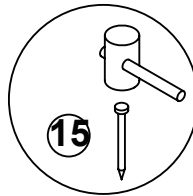
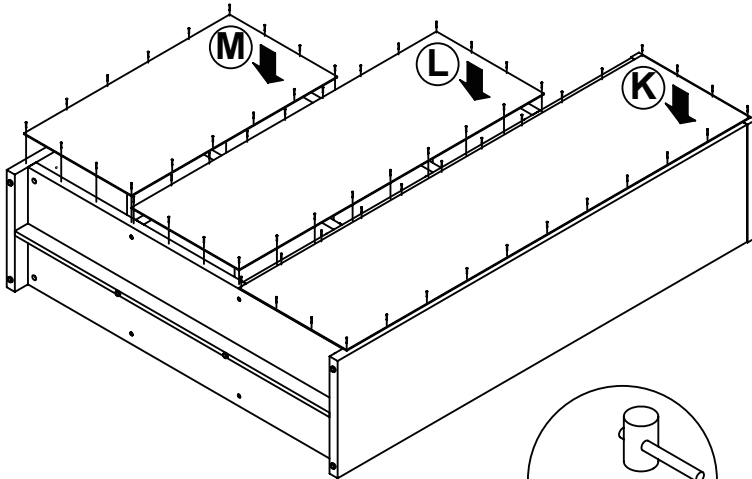
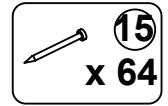
LEFT



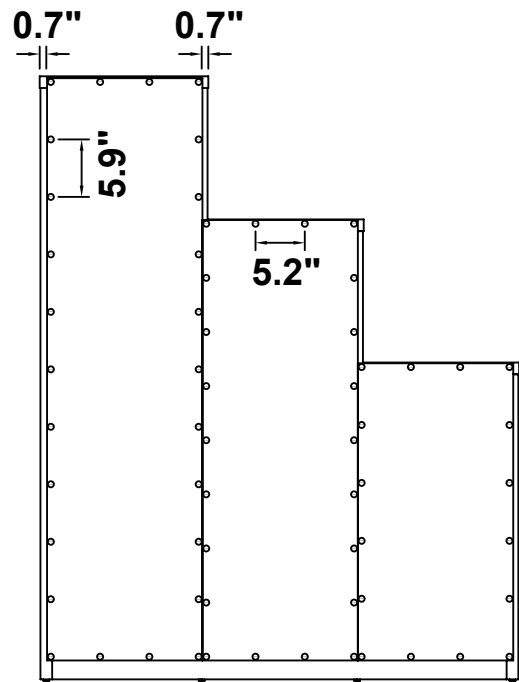
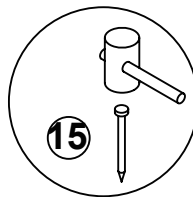
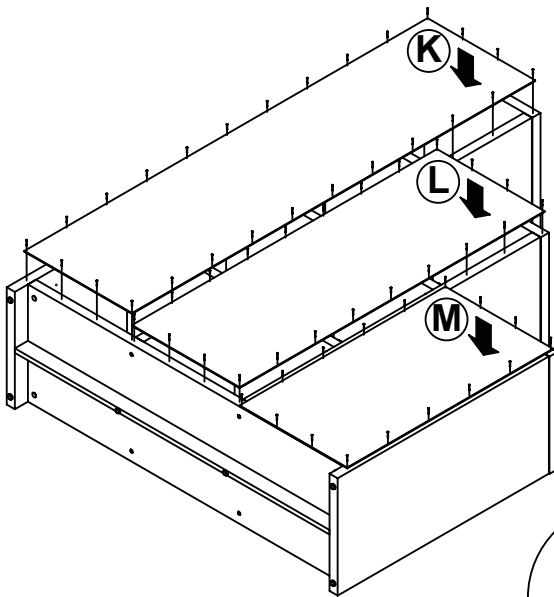
RIGHT

ITEM: 801170

STEP 11



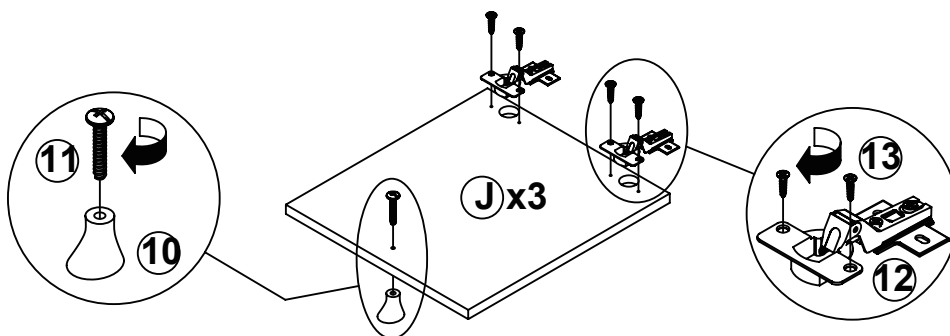
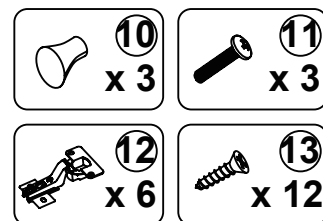
LEFT



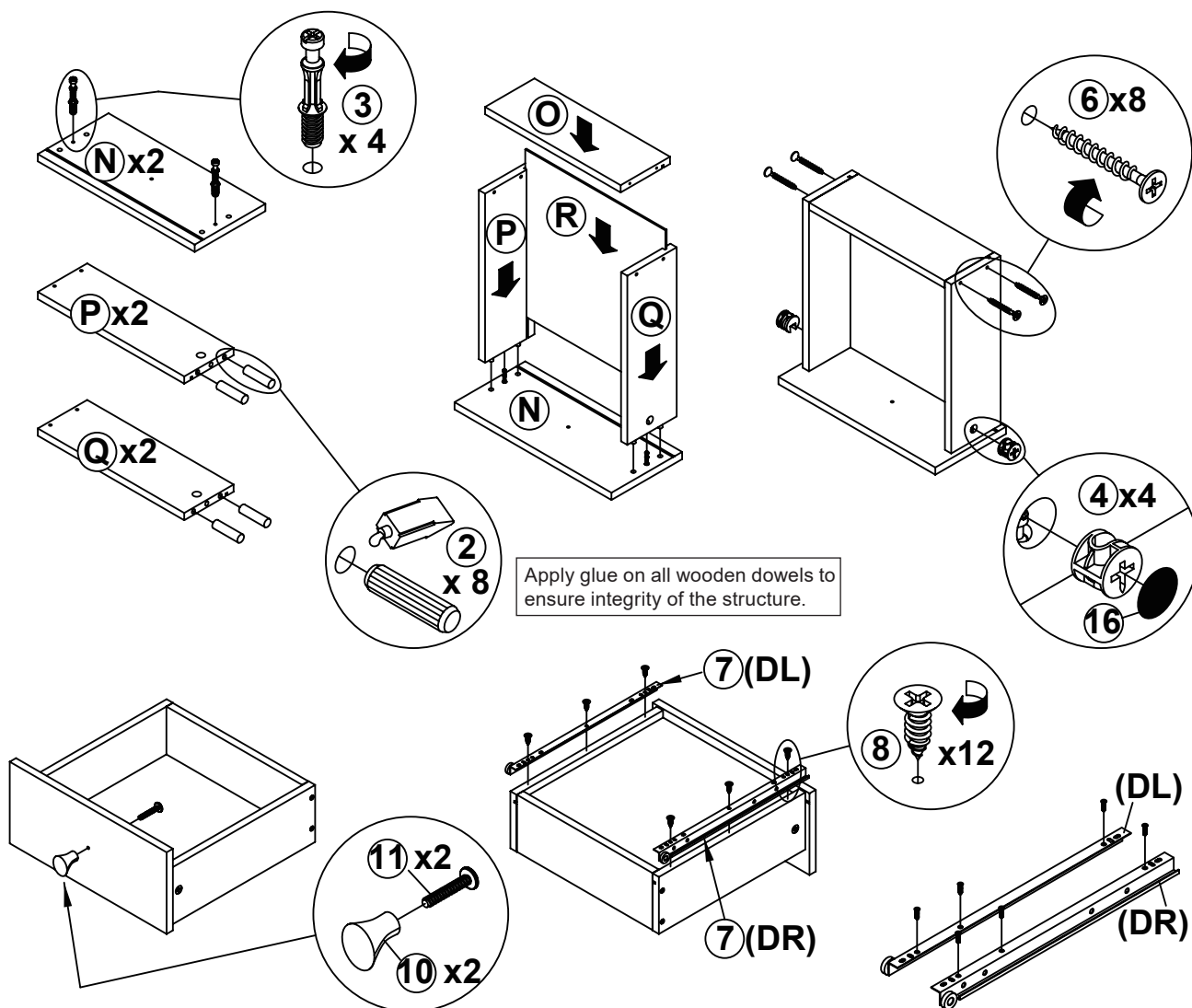
RIGHT

ITEM: 801170

STEP 12

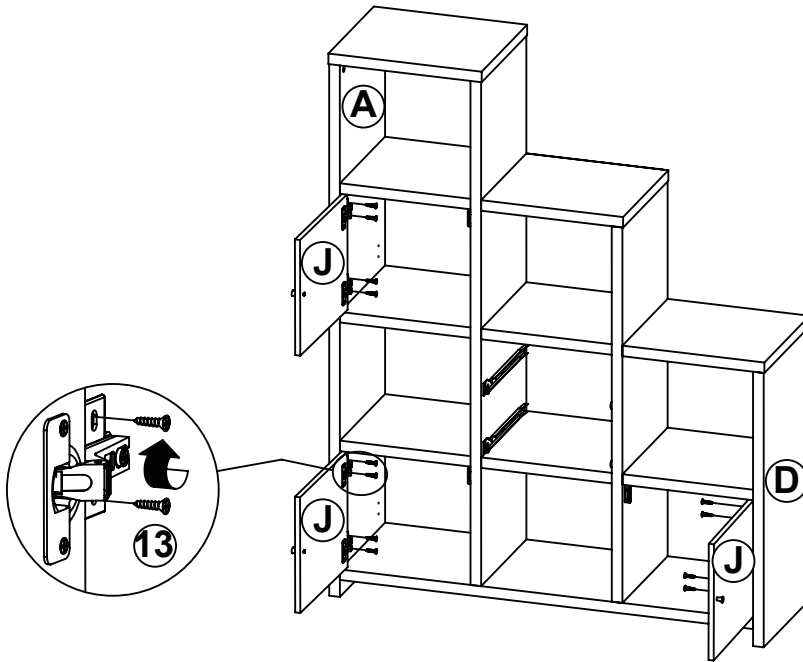
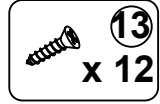


STEP 13

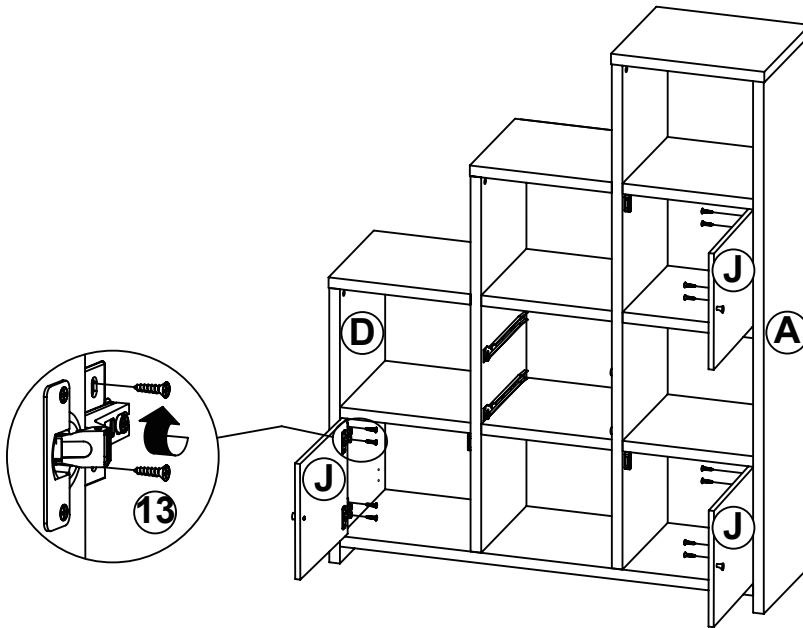


ITEM: 801170

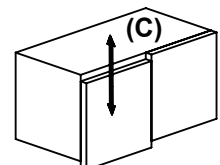
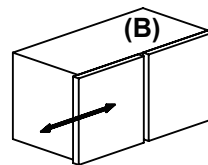
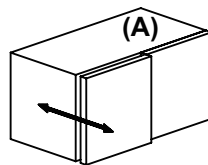
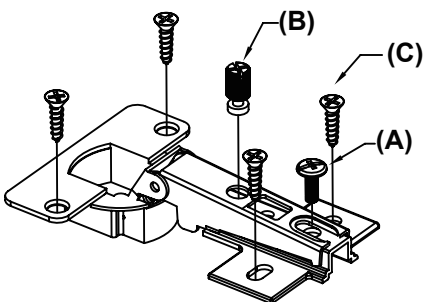
STEP 14



LEFT

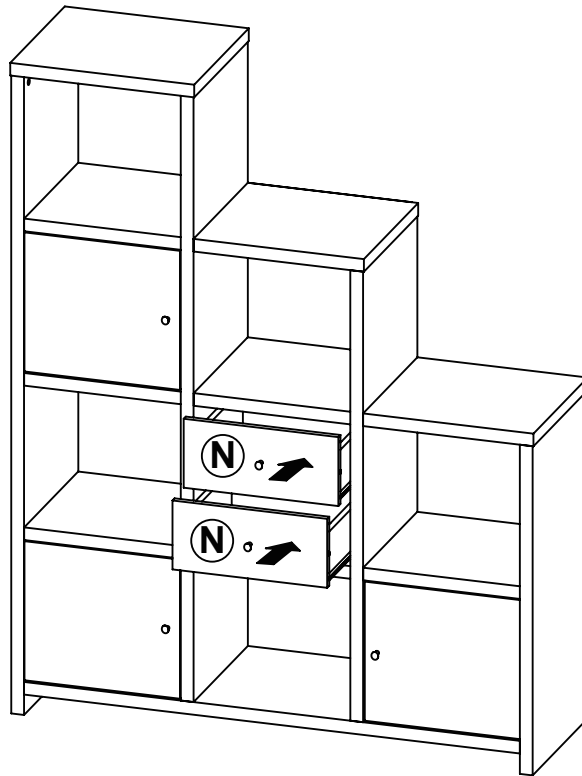


RIGHT

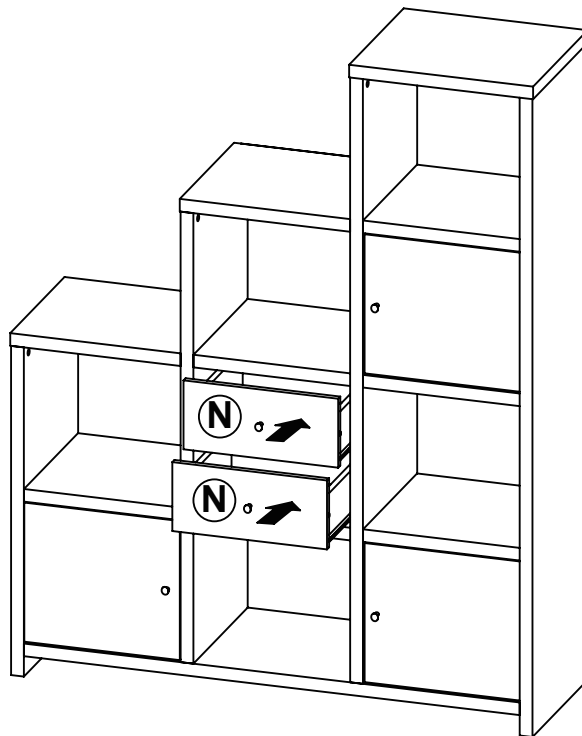


ITEM: 801170

STEP 15



LEFT

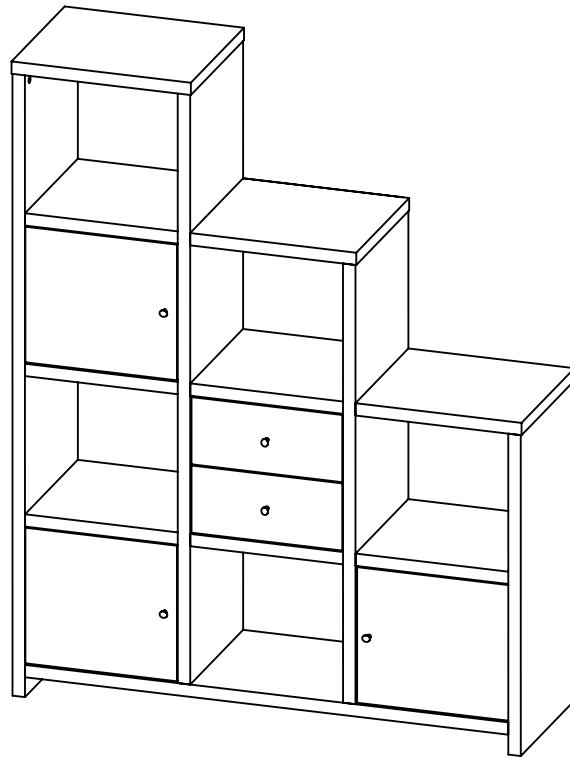


RIGHT

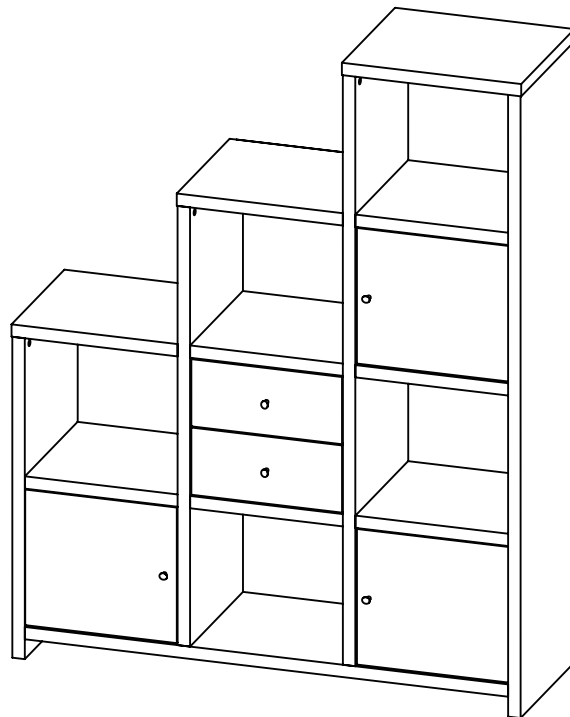
ITEM: 801170

STEP 16

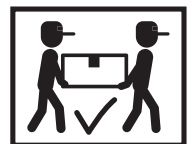
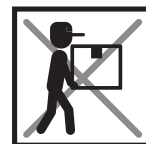
COMPLETE



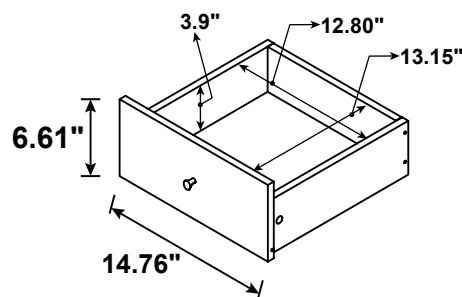
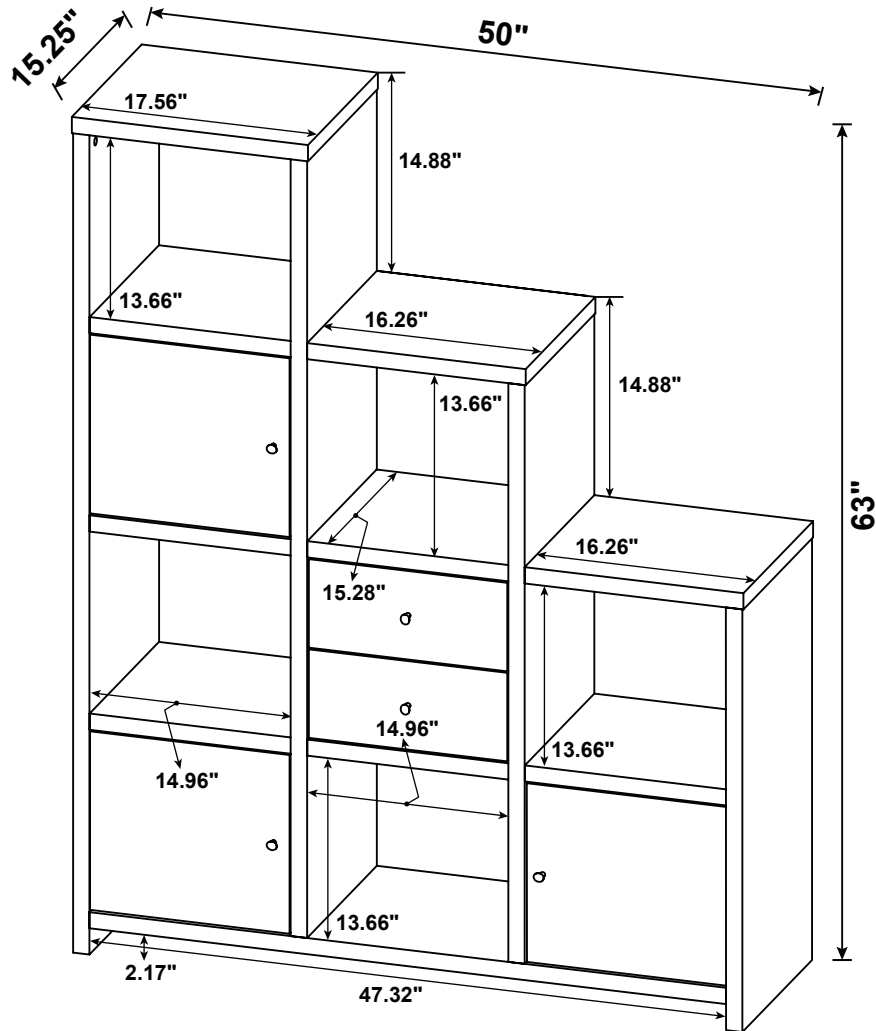
LEFT



RIGHT



ITEM: 801170



Note : Dimension tolerance $\pm 5\%$

ANTI-TIPPING INSTALLMENT INSTRUCTIONS

FURNITURE TIPPING RESTRAINT

WARNING

Injury may result from tipping furniture.
This restraint may protect against tipping furniture.
Do not allow children to climb on furniture.
This restraint is not a substitute for proper adult supervision.
Failure to detach this restraint before moving the furniture
may result in injury and damage.

1. To attach the anti-tip strap, securely mount one end to the top of the case piece with the 5/8" screw.
2. Position the case piece against the wall in the desired location.
3. Pull the anti-tip strap taut and mark the position of where you will secure the other end on the wall.
4. Drill a 1-1/4" hole in the spot you marked.
5. Tap in plastic wall plug.
6. Fasten anti-tip strap with wall screw provided.

(Please install the anti-tipping kit in the middle of the case piece if only have one set of anti-tipping kit.)

