

*ASSEMBLY INSTRUCTIONS
COASTER FINE FURNITURE*



Fine Furniture for every stage of life

805497
CORNER BOOKCASE

ITEM:805497

ASSEMBLY INSTRUCTIONS

ASSEMBLY TIPS:

1. Remove hardware from box and sort by size.
2. Please check to see that all hardware and parts are present prior to start of assembly.
3. Please follow attached instructions in the same sequence as numbered to assure fast & easy assembly.



WARNING!

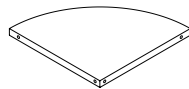
1. Don't attempt to repair or modify parts that are broken or defective. Please contact the store immediately.
2. This product is for home use only and not intended for commercial establishments.

ASSEMBLY TIME

20 MINUTES

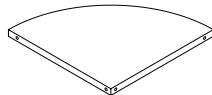
PARTS IDENTIFICATION

A SHELF 1



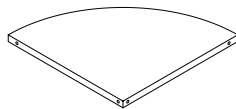
1 PC

B SHELF 2



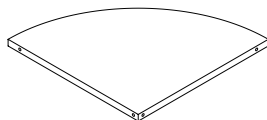
1 PC

C SHELF 3



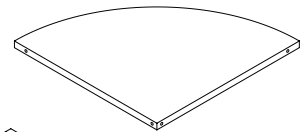
1 PC

D SHELF 4



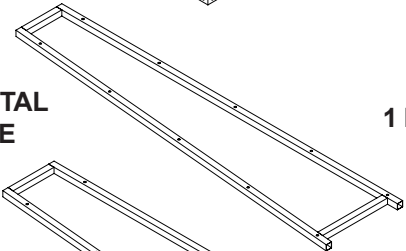
1 PC

E SHELF 5



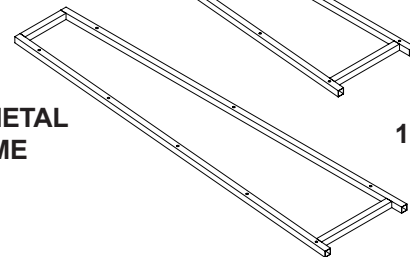
1 PC

F LEFT METAL FRAME



1 PC

G RIGHT METAL FRAME



1 PC

Z

HARDWARE IDENTIFICATION

NO	DESCRIPTION	FIGURE	Q'TY	NO	DESCRIPTION	FIGURE	Q'TY
1	BOLT Ø 7x50mm BLK		15 PCS	3	FLOOR PROTECTOR 25x25mm		8 PCS
2	BOLT M6x35mm BLK		3 PCS	4	ALLEN WRENCH 4mm SR		1 PC

NOTE:

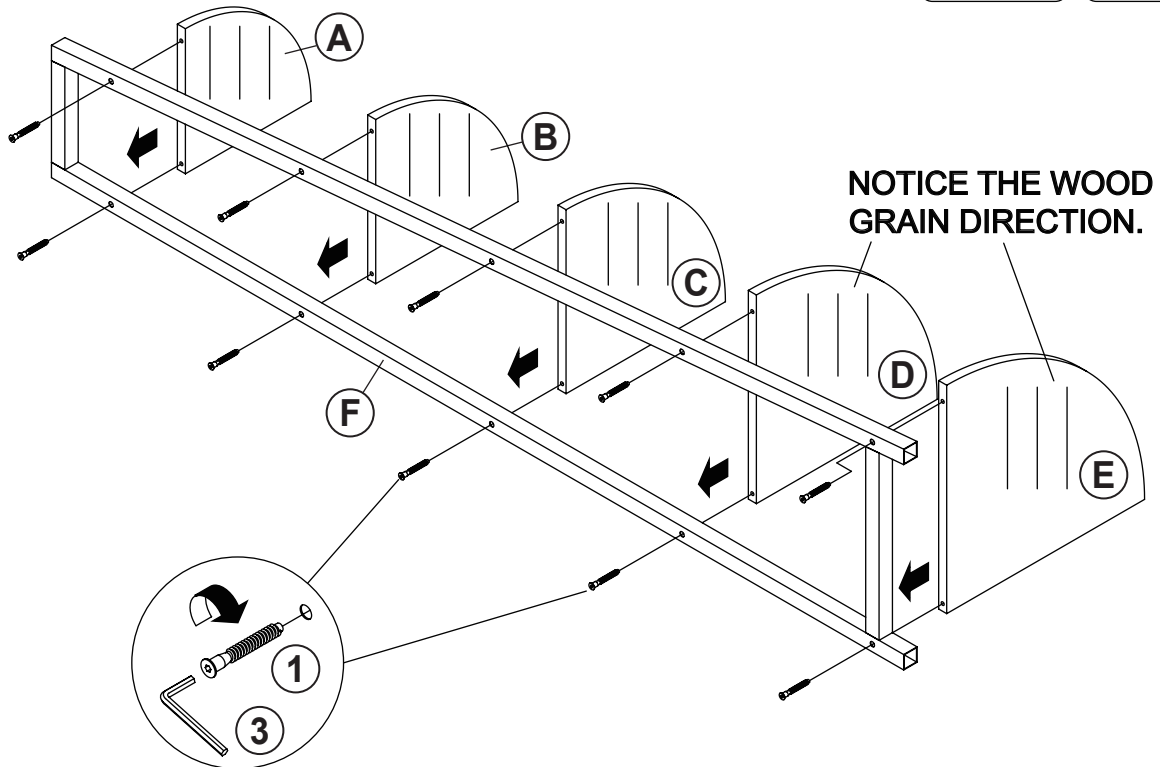
Phillips head screw driver is required in the assembly process; however, manufacturer does not provide this item.

ITEM: 805497

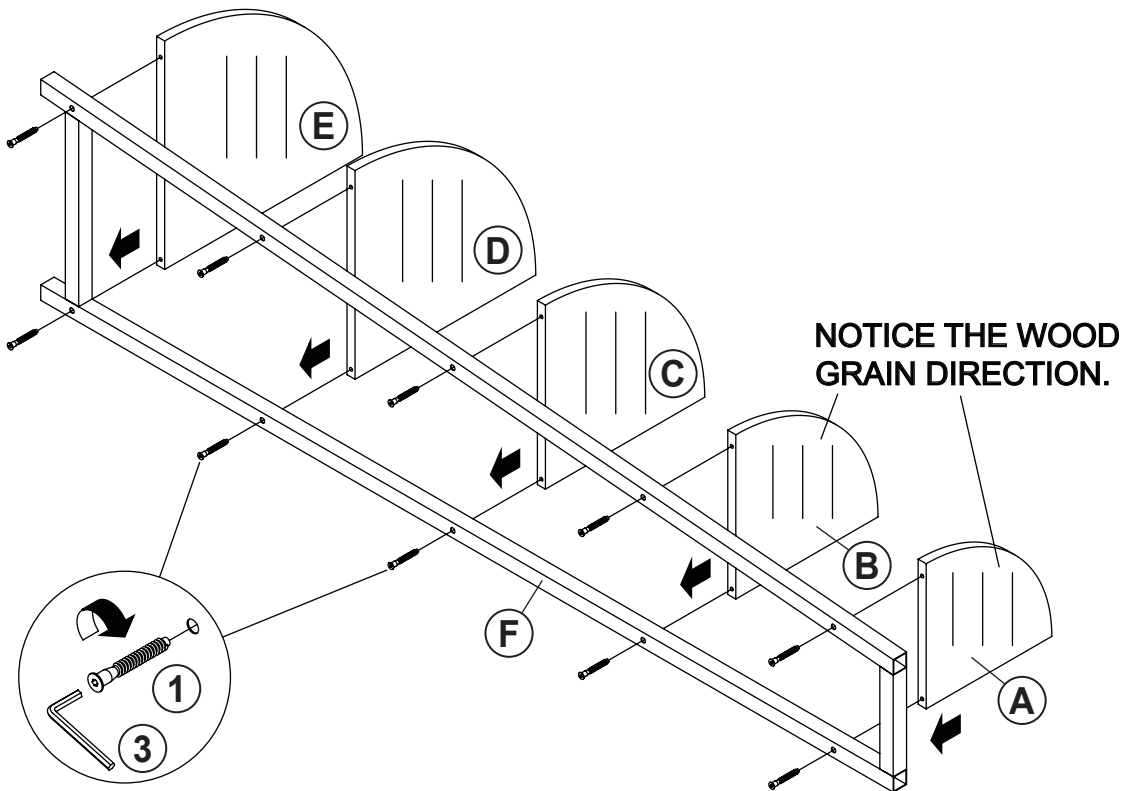
COASTER
FINE FURNITURE

STEP 1

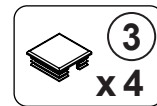
LEFT



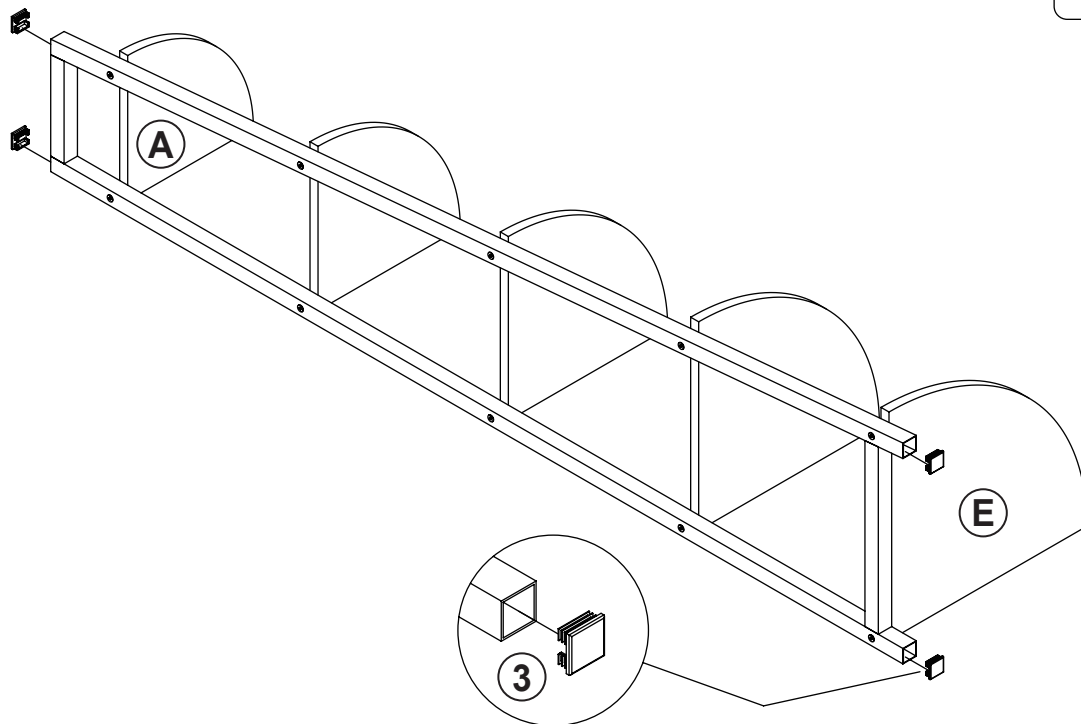
RIGHT



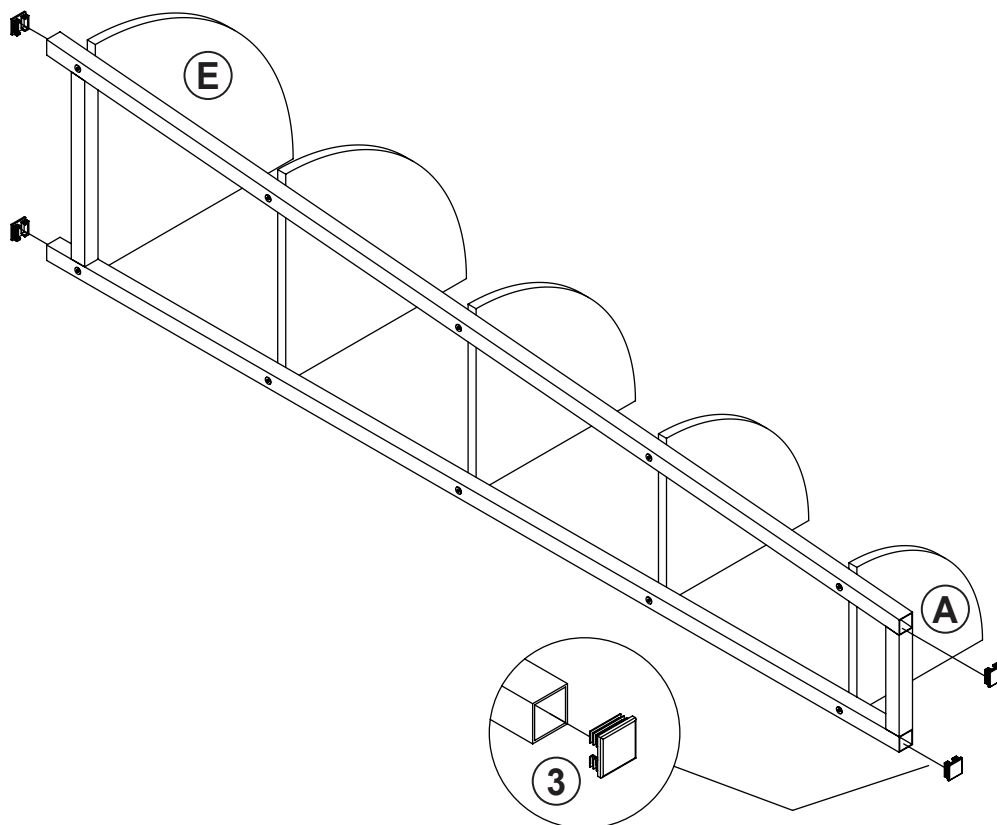
ITEM: 805497



LEFT



RIGHT

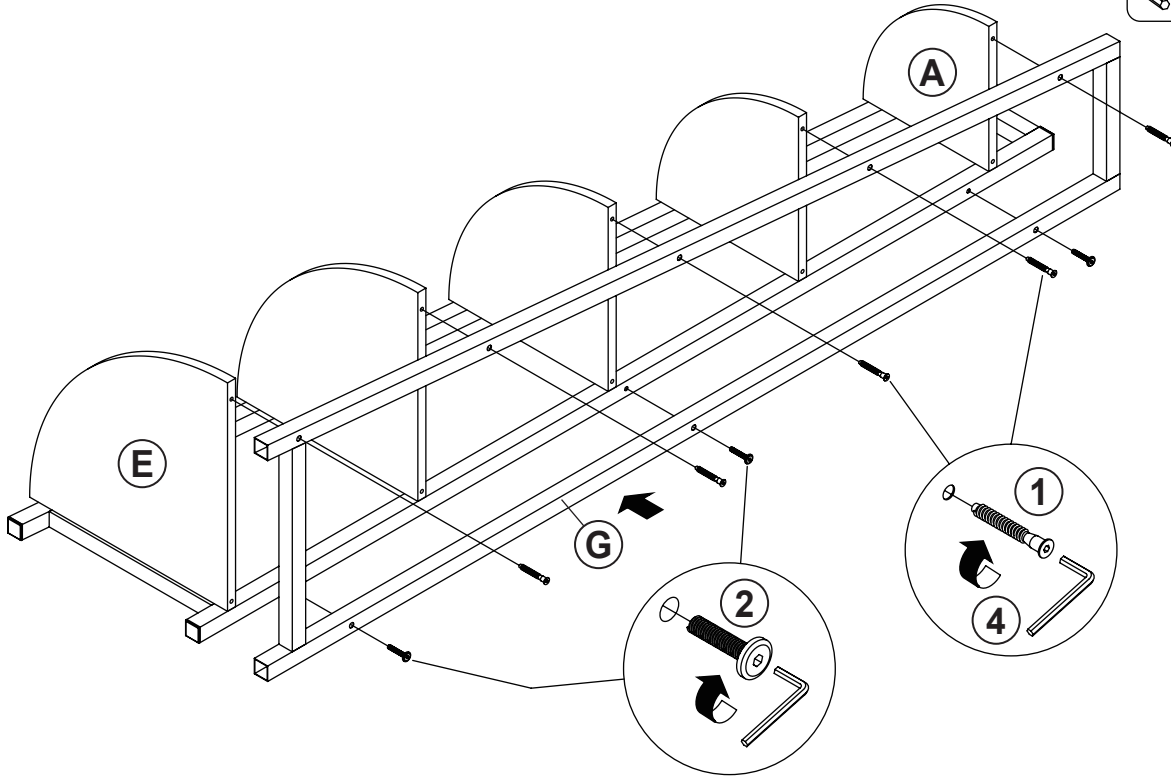
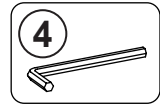
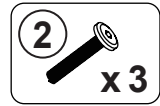
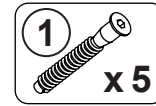


ITEM: 805497

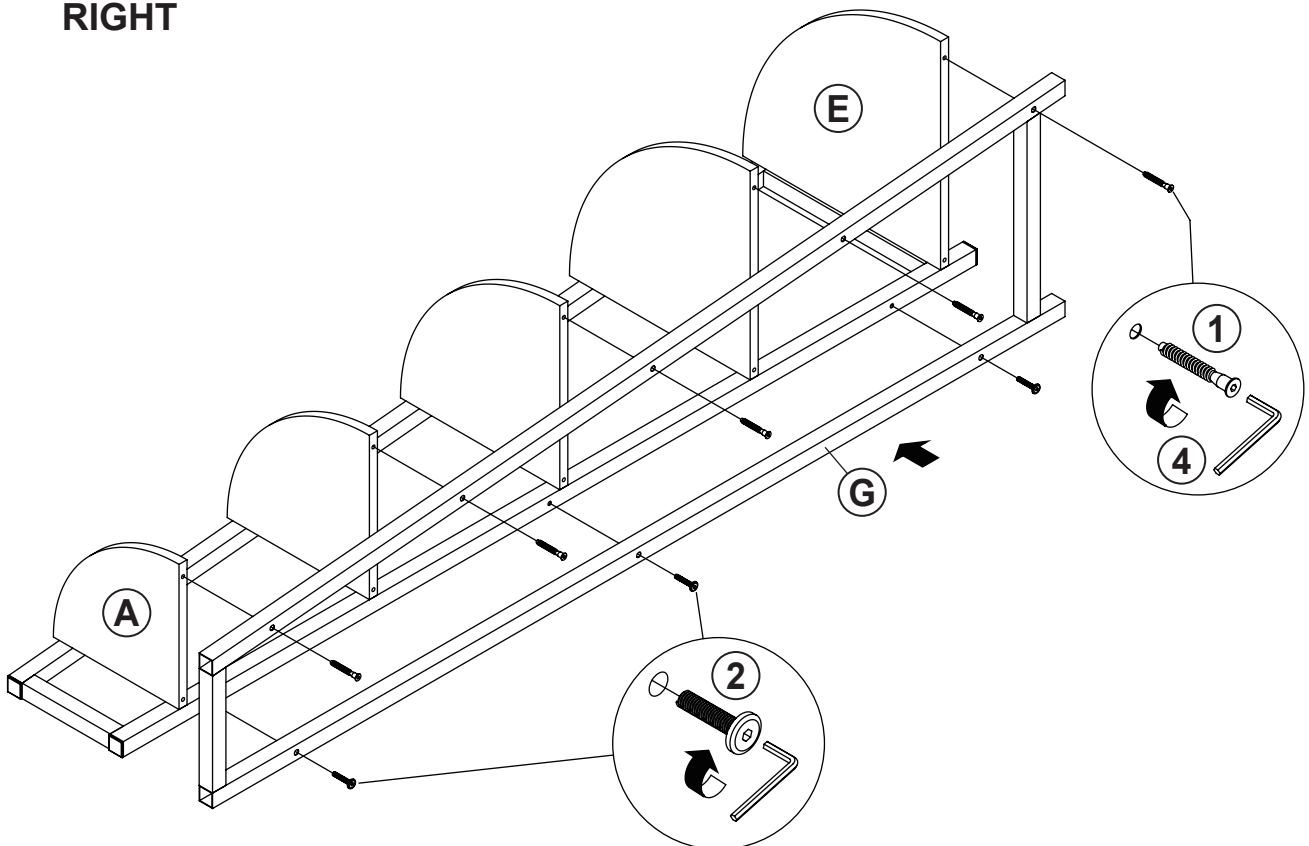
COASTER
FINE FURNITURE

STEP 3

LEFT



RIGHT



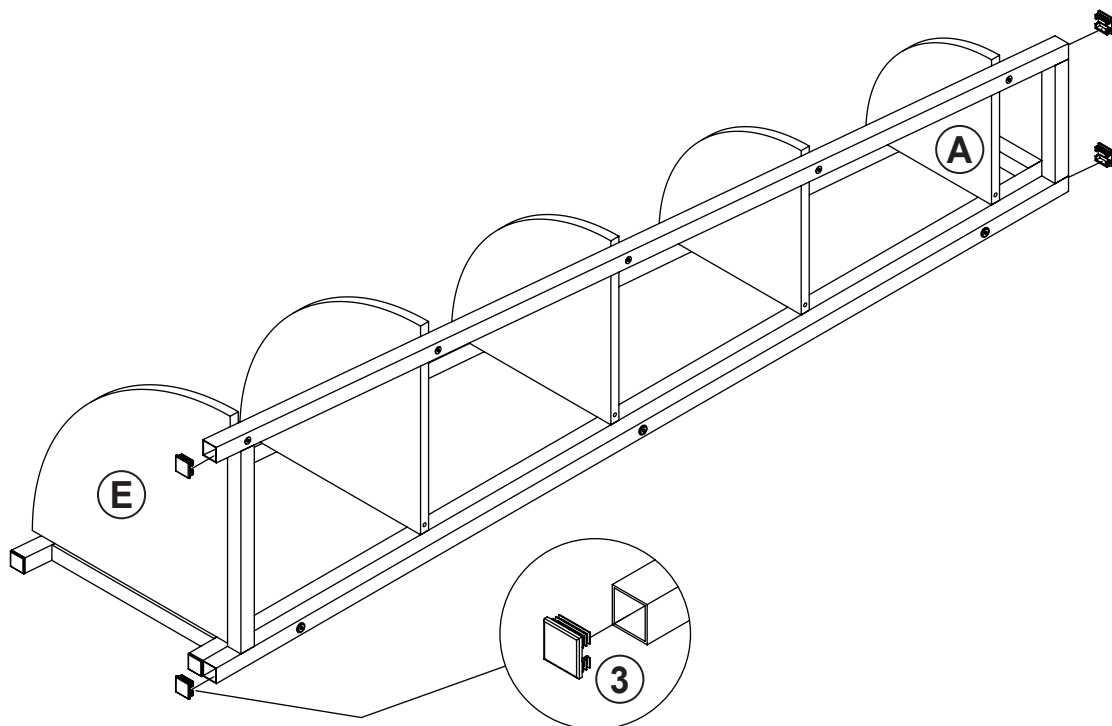
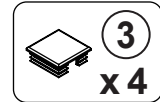
ITEM: 805497

COASTER[®]

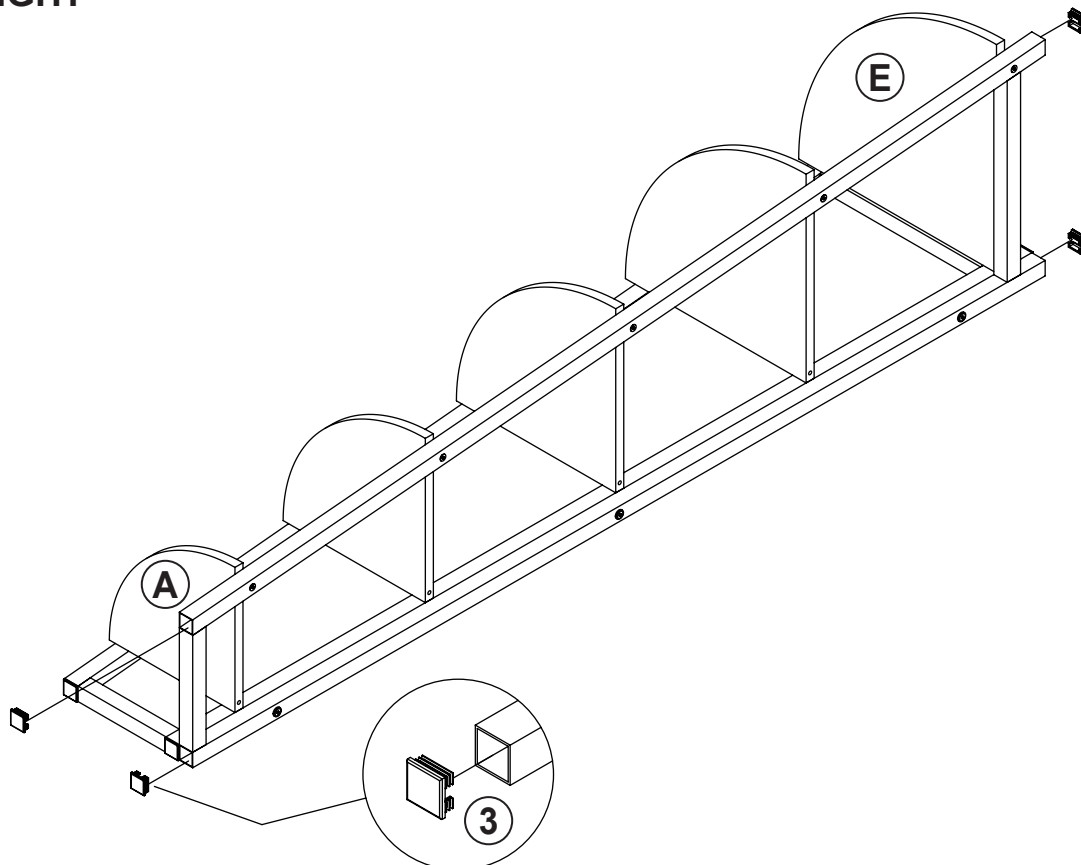
FINE FURNITURE

STEP 4

LEFT



RIGHT

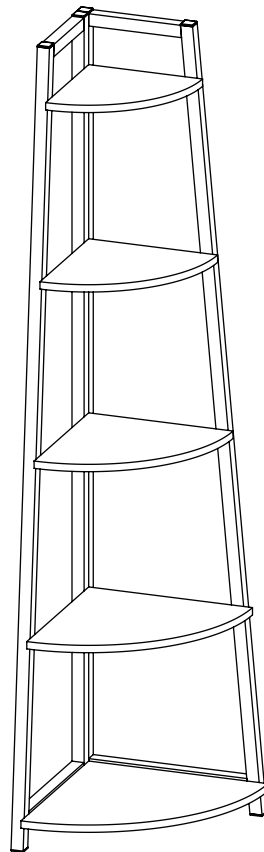


ITEM: 805497

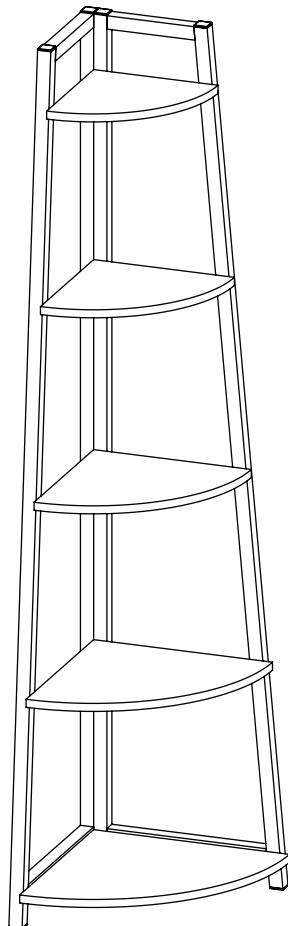
STEP 5

COMPLETE

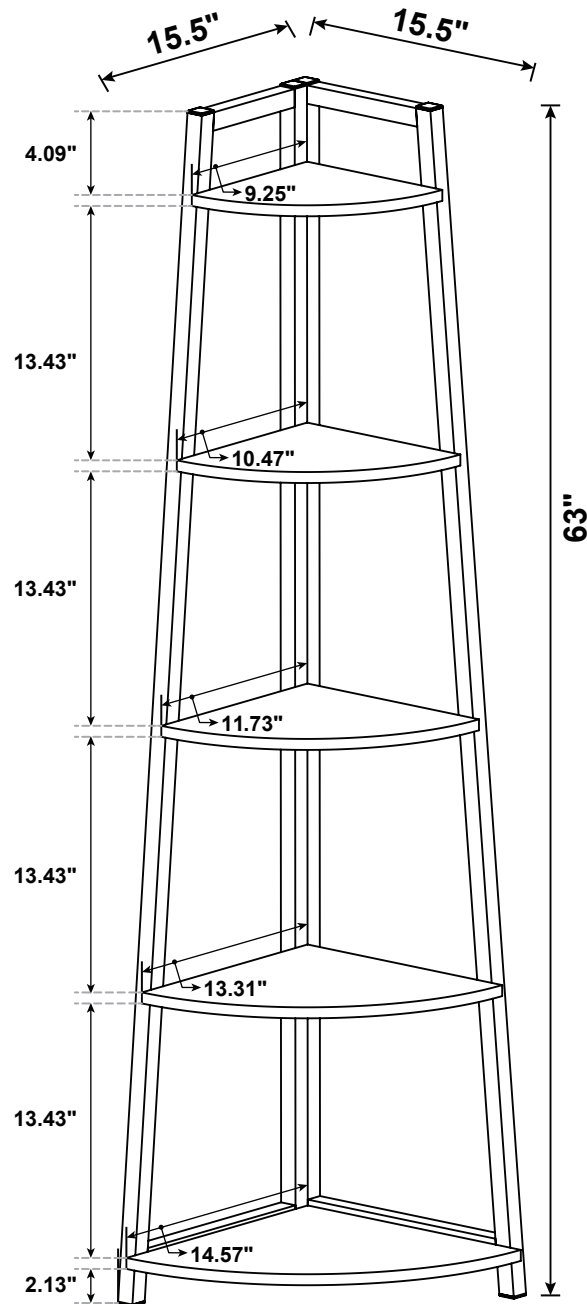
LEFT



RIGHT



ITEM:805497



Note : Dimension tolerance $\pm 5\%$

ANTI-TIPPING INSTALLMENT INSTRUCTIONS

FURNITURE TIPPING RESTRAINT

WARNING

Injury may result from tipping furniture.
This restraint may protect against tipping furniture.
Do not allow children to climb on furniture.
This restraint is not a substitute for proper adult supervision.
Failure to detach this restraint before moving the furniture
may result in injury and damage.

1. To attach the anti-tip strap, securely mount one end to the top of the case piece with the 5/8" screw.
2. Position the case piece against the wall in the desired location.
3. Pull the anti-tip strap taut and mark the position of where you will secure the other end on the wall.
4. Drill a 1-1/4" hole in the spot you marked.
5. Tap in plastic wall plug.
6. Fasten anti-tip strap with wall screw provided.

(Please install the anti-tipping kit in the middle of the case piece if only have one set of anti-tipping kit.)

