

ASSEMBLY INSTRUCTIONS
COASTER FINE FURNITURE



Fine Furniture for every stage of life

805882
FILE CABINET

ITEM: 805882

ASSEMBLY INSTRUCTIONS

ASSEMBLY TIPS:

1. Remove hardware from box and sort by size.
2. Please check to see that all hardware and parts are present prior to start of assembly.
3. Please follow attached instructions in the same sequence as numbered to assure fast & easy assembly.



WARNING!

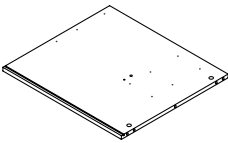
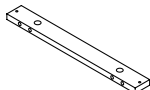
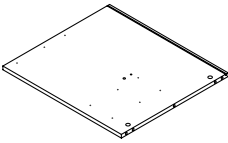
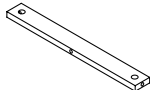
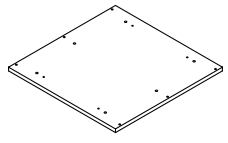
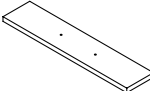
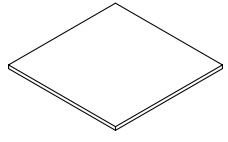
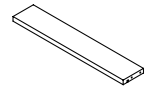
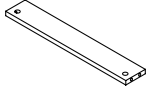
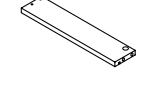
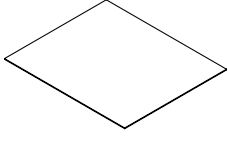
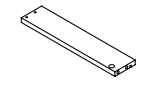
1. Don't attempt to repair or modify parts that are broken or defective. Please contact the store immediately.
2. This product is for home use only and not intended for commercial establishments.



ASSEMBLY TIME

60 MINUTES

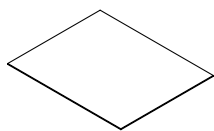
PARTS IDENTIFICATION

A	LEFT SIDE PANEL		1 PC	G	FRONT CROSS BRACE		2 PCS
B	RIGHT SIDE PANEL		1 PC	H	LEFT CROSS BRACE		2 PCS
C	BOTTOM PANEL		1 PC	I	SMALL DRAWER FRONT PANEL		2 PCS
D	TOP PANEL		1 PC	J	SMALL DRAWER BACK PANEL		2 PCS
E	BACK BRACE		1 PC	K	DRAWER LEFT SIDE PANEL		2 PCS
F	BACK PANEL		1 PC	L	DRAWER RIGHT SIDE PANEL		2 PCS

NOTE:

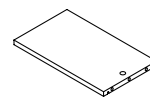
Phillips head screw driver is required in the assembly process; however, manufacturer does not provide this item.

M DRAWER
BOTTOM PANEL



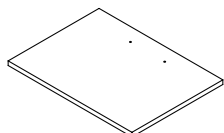
3 PCS

P LARGE
DRAWER LEFT
SIDE PANEL



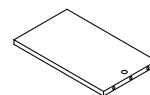
1 PC

N LARGE
DRAWER
FRONT PANEL



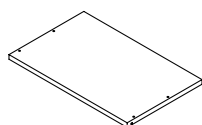
1 PC

Q LARGE
DRAWER RIGHT
SIDE PANEL



1 PC

O LARGE
DRAWER BACK
PANEL

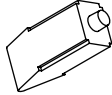

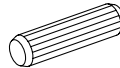
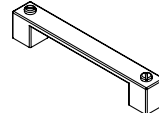
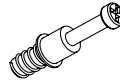


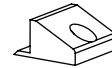



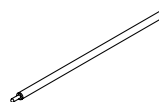

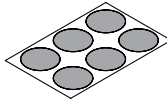



1 PC

NOTE:

Phillips head screw driver is required in the assembly process; however, manufacturer does not provide this item.

HARDWARE IDENTIFICATION

Z							
NO	DESCRIPTION	FIGURE	Q'TY	NO	DESCRIPTION	FIGURE	Q'TY
1	GLUE 40g		1 PC	9	GLIDES SCREW Ø3x12mm SR		36 PCS
2	WOODEN DOWEL Ø8x30mm		26 PCS	10	HANDLE		3 PCS
3	CAM BOLT Ø7x35.5mm SR		20 PCS	11	HANDLE BOLT Ø4x28mm BLK		6 PCS
4	CAM LOCK Ø15x12mm SR		20 PCS	12	FIXER		3 PCS
5	SCREW Ø4.5x42mm SR		6 PCS	13	FIXER SCREW Ø 3x19mm SR		3 PCS
6	SCREW Ø4.3x35mm SR		12 PCS	14	IRON BAR Ø9.5x328mm SR		2 PCS
7	PLASTIC FEET Ø15mm		4 PCS	15	STICKER Ø20mm		4 PCS
8	GLIDES L = 350mm WHT		3 SET				

Z8,Z10,Z14 not included in blister packaging.

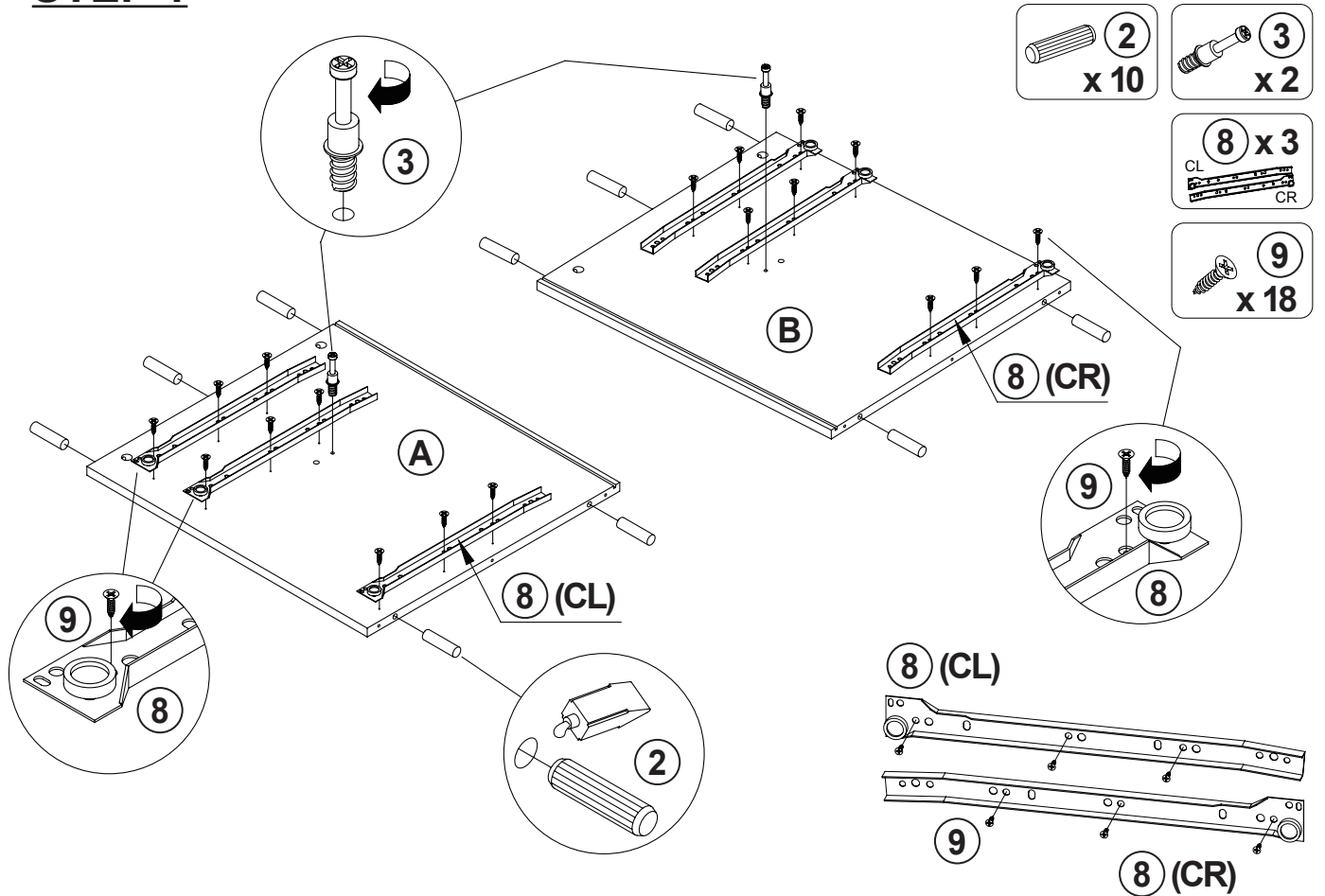
NOTE:

Phillips head screw driver is required in the assembly process; however, manufacturer does not provide this item.

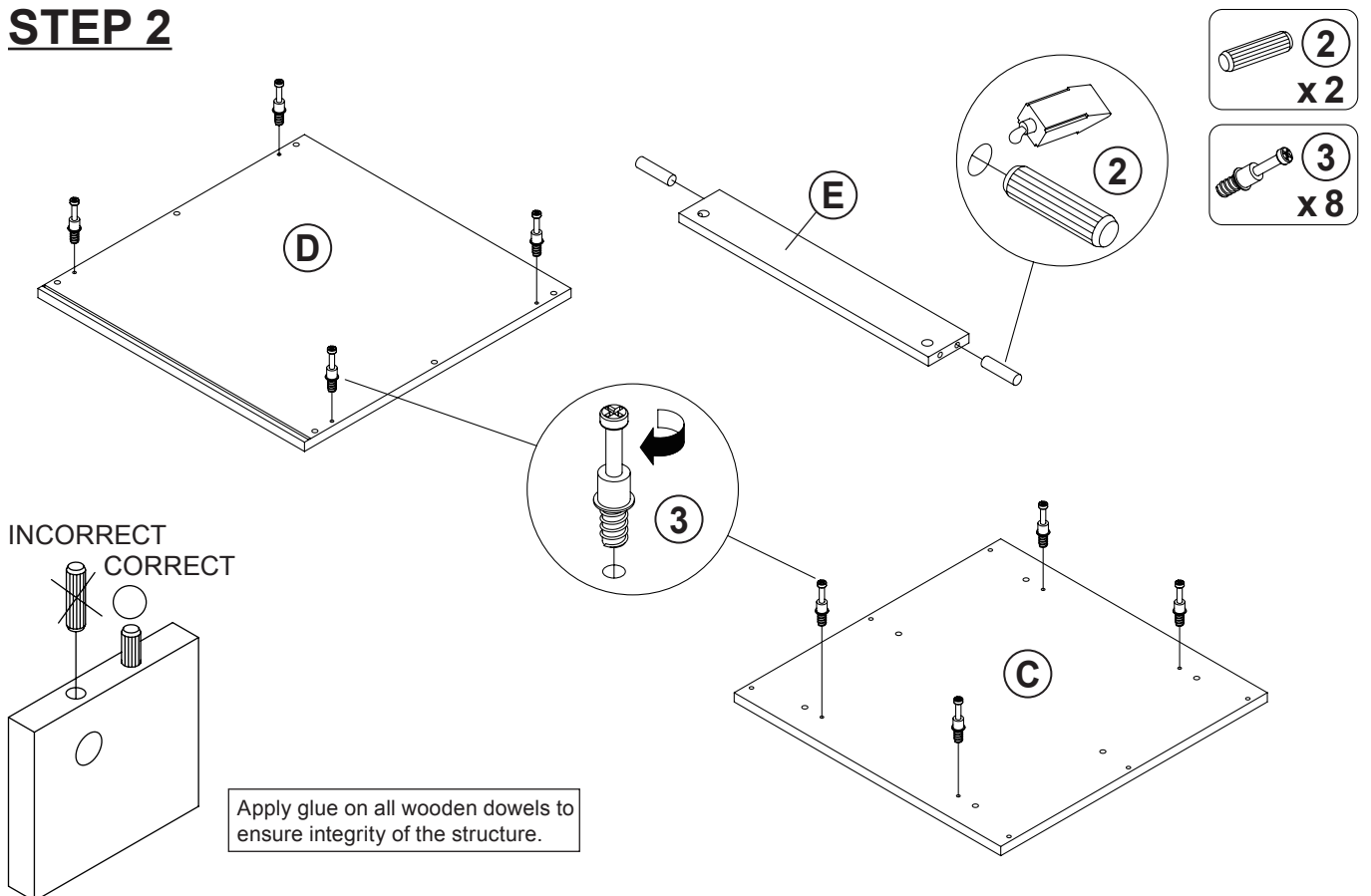
ITEM: 805882

COASTER
FINE FURNITURE

STEP 1



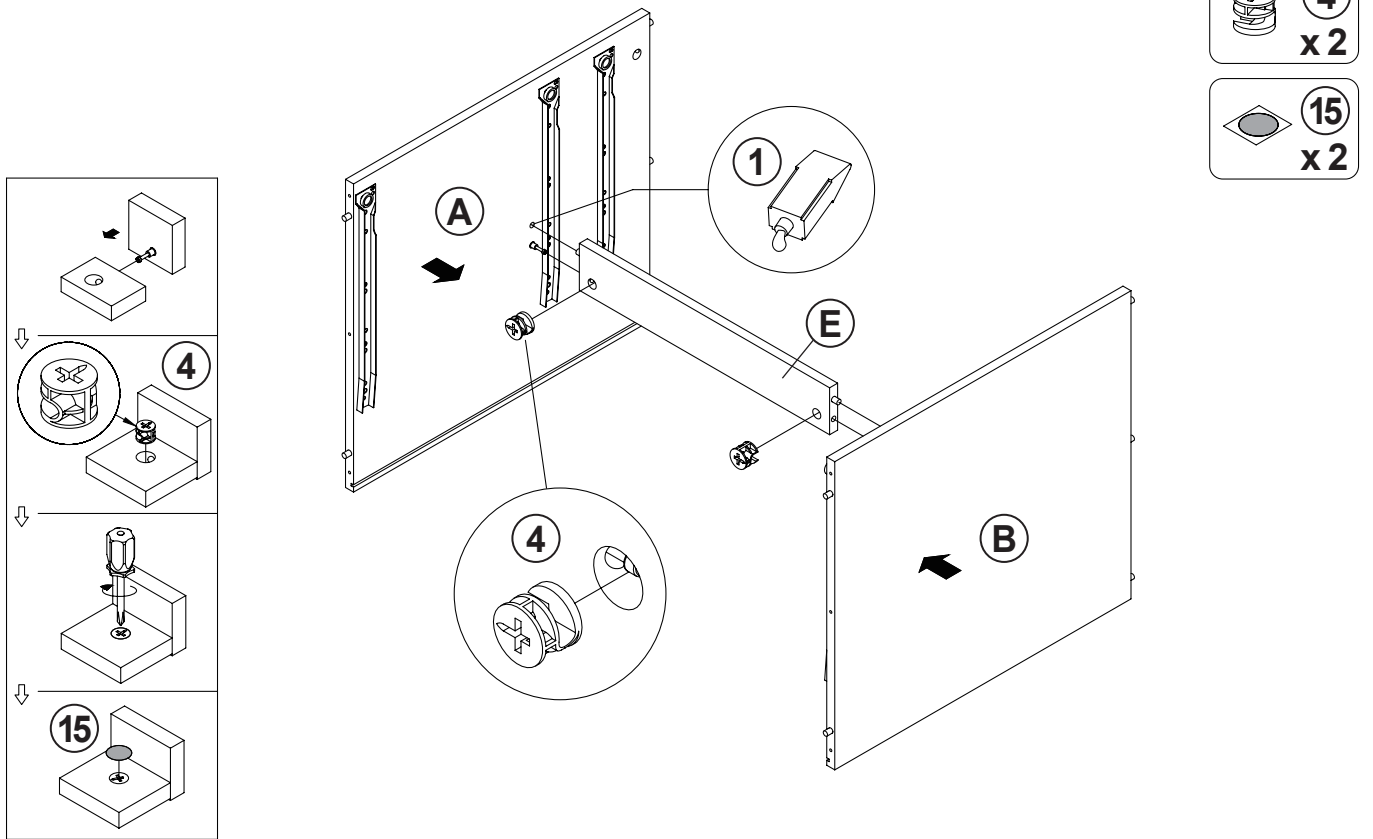
STEP 2



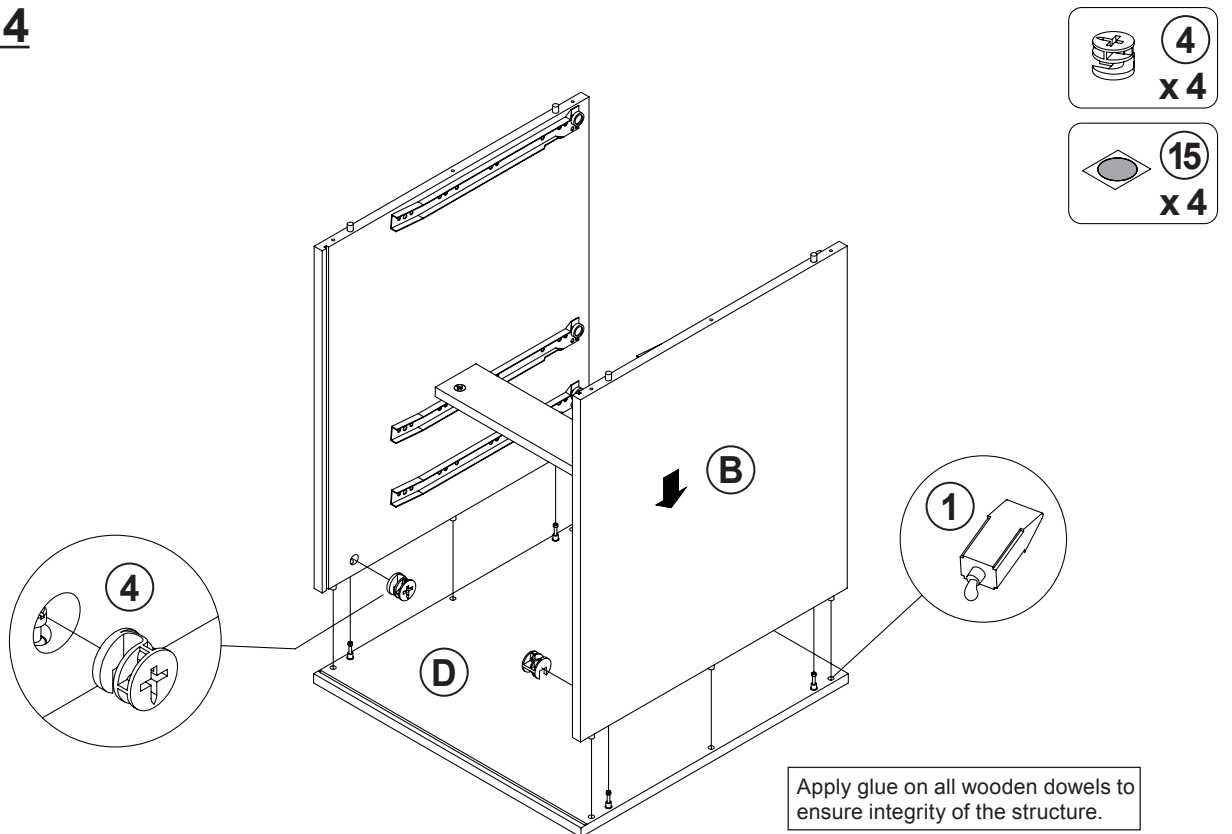
ITEM: 805882

COASTER
FINE FURNITURE

STEP 3

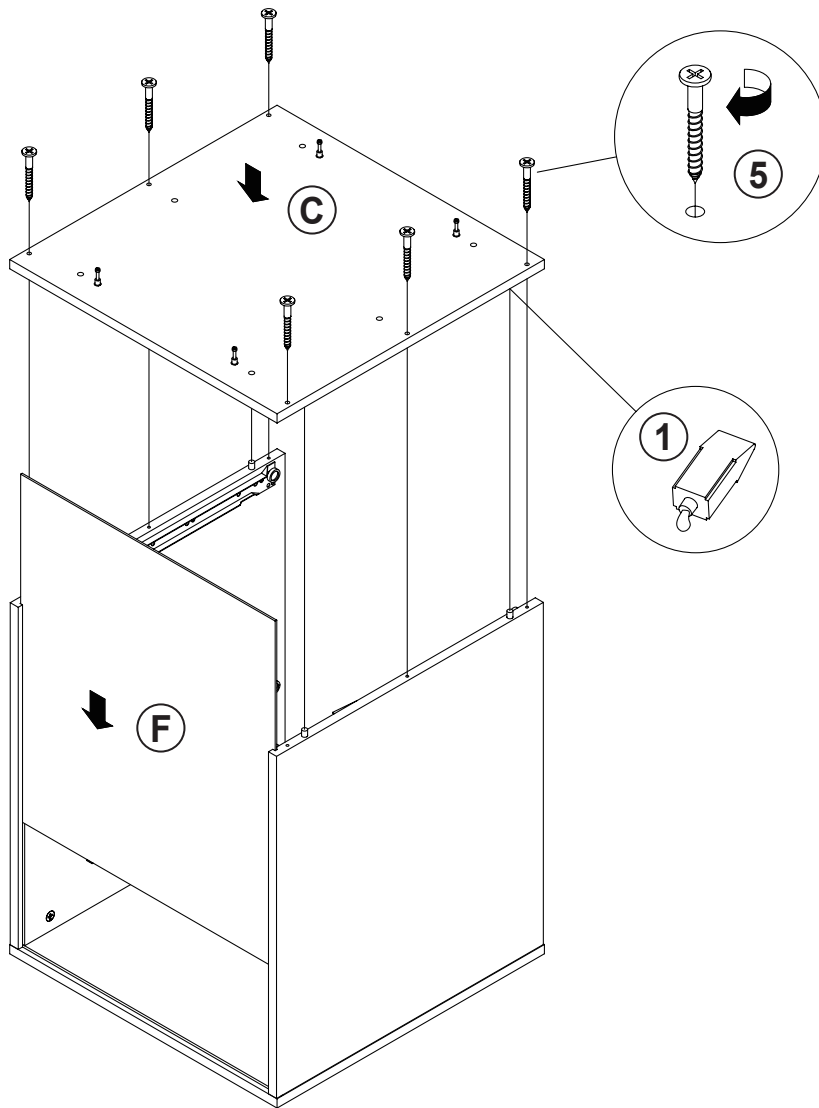
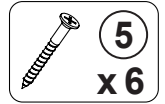


STEP 4

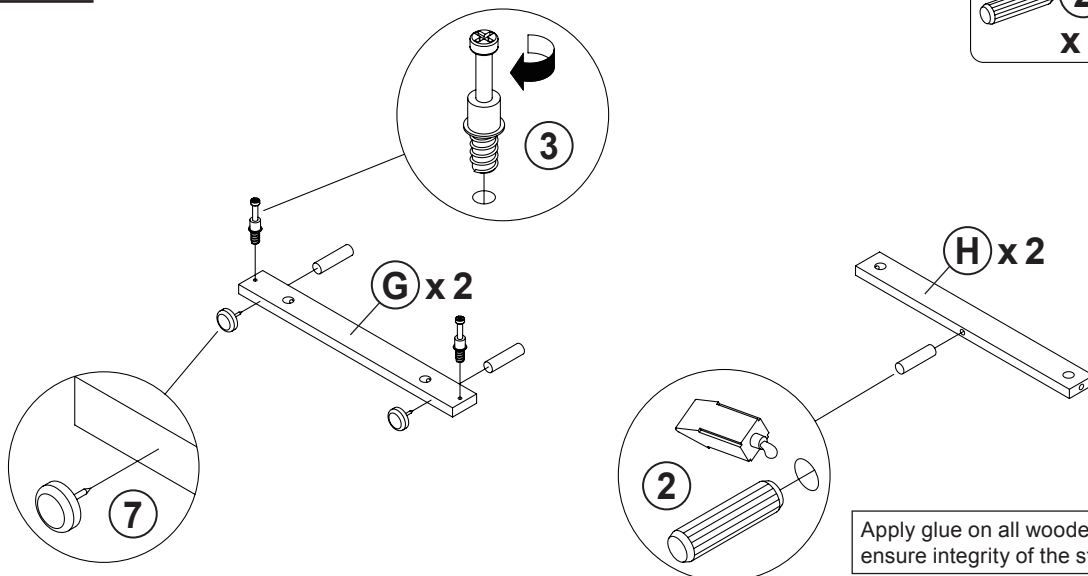
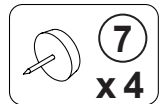
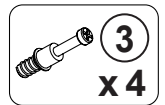
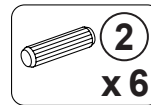


ITEM: 805882

STEP 5



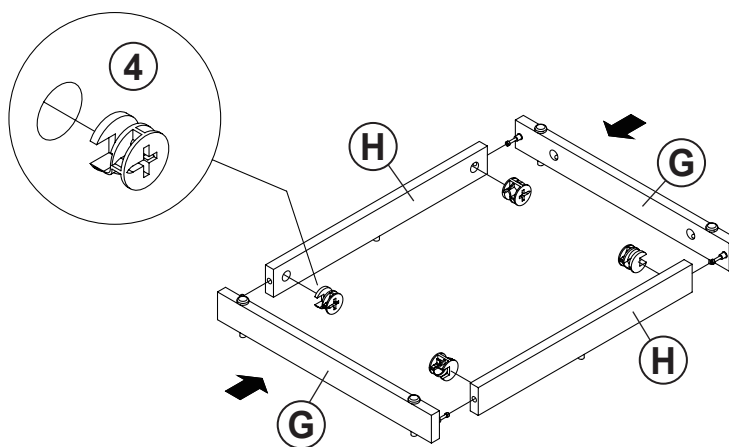
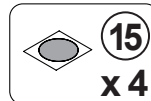
STEP 6



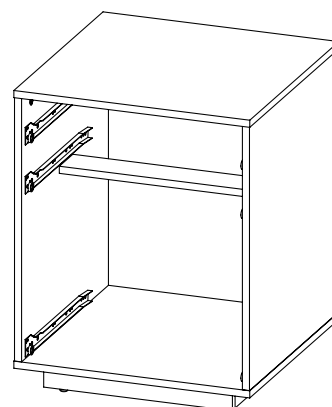
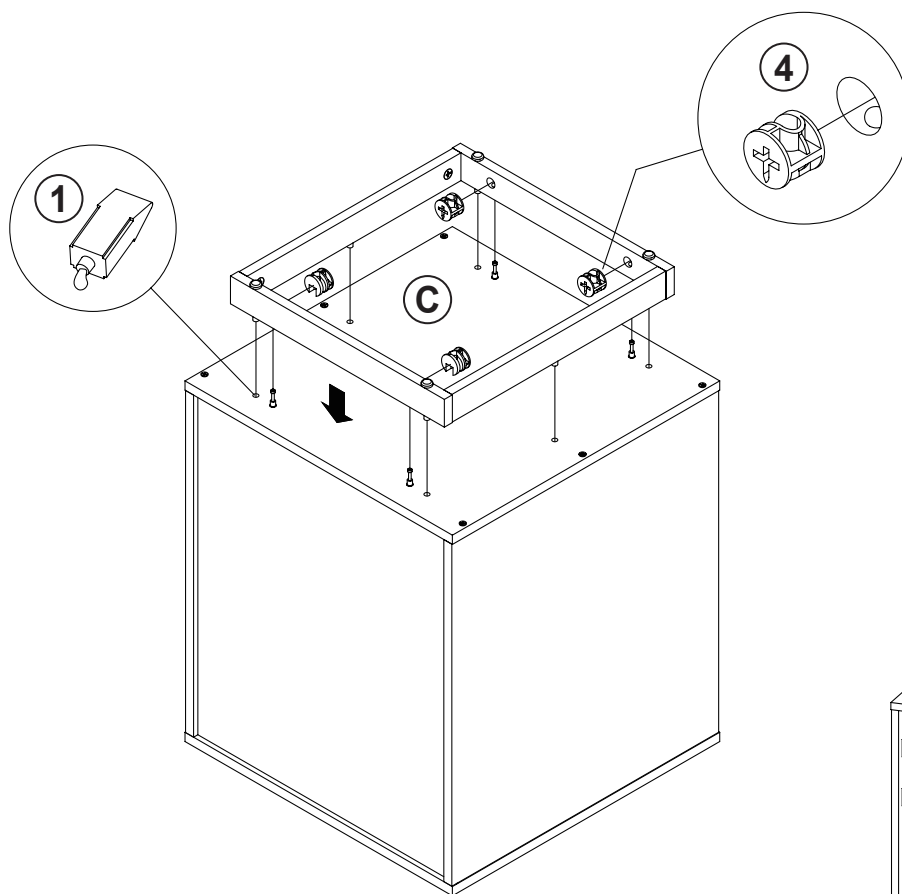
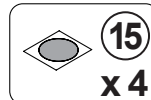
Apply glue on all wooden dowels to ensure integrity of the structure.

ITEM: 805882

STEP 7

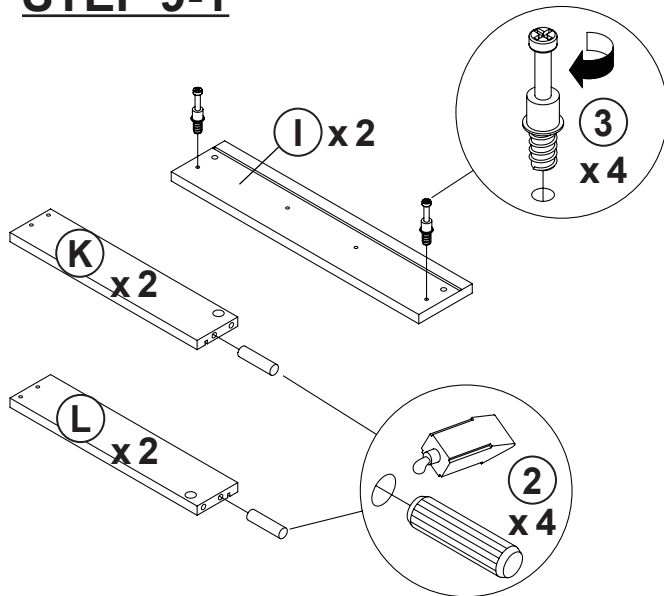


STEP 8

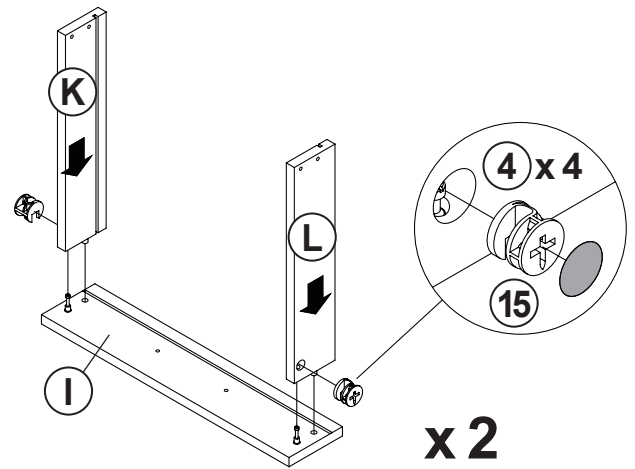


ITEM: 805882

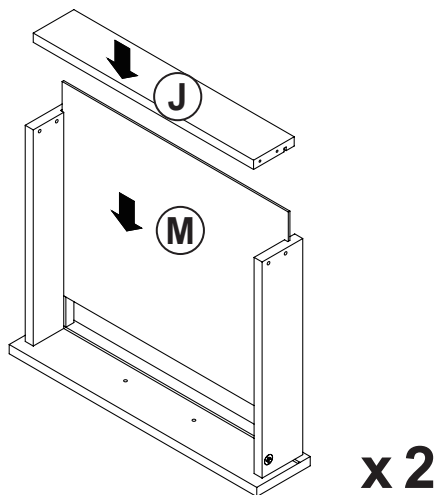
STEP 9-1



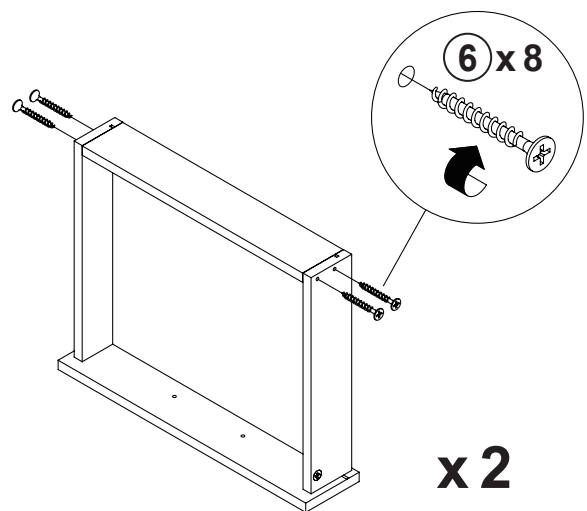
STEP 9-2



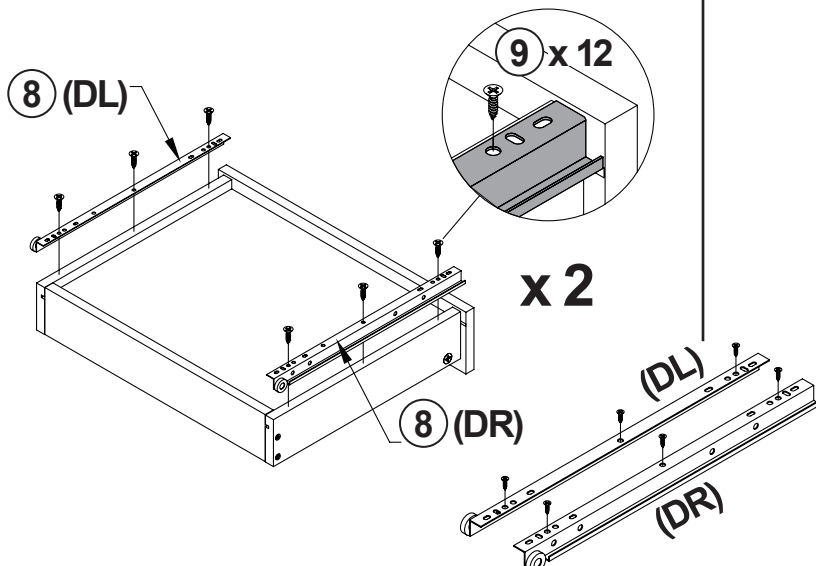
STEP 9-3



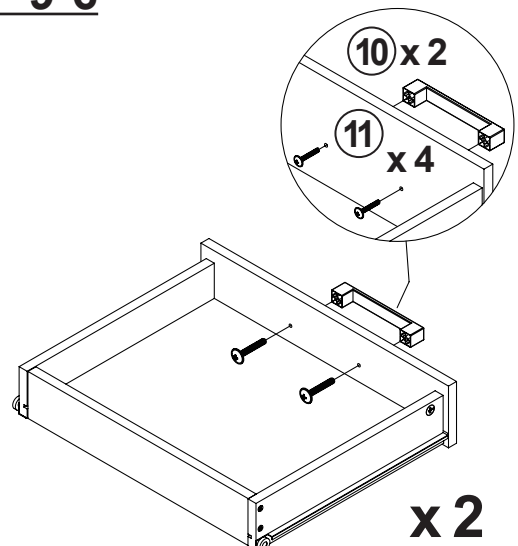
STEP 9-4



STEP 9-5

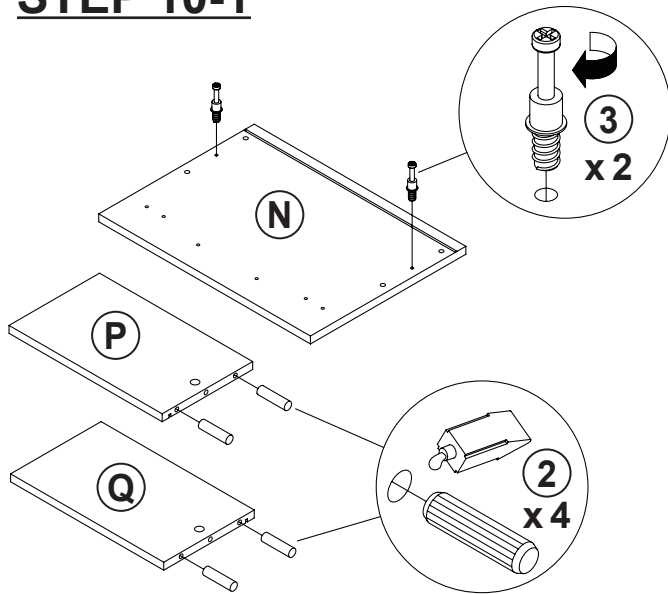


STEP 9-6

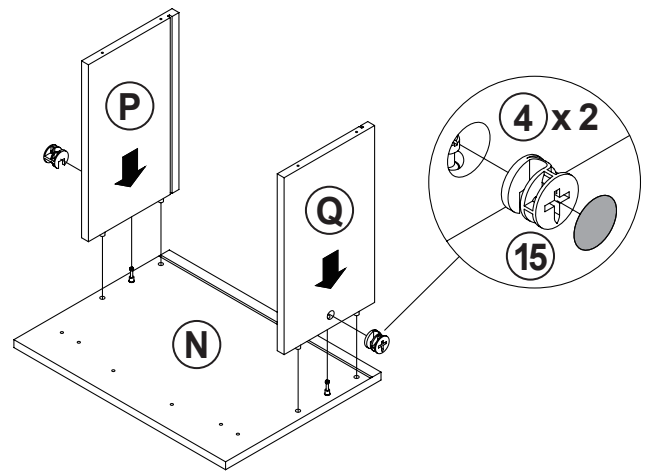


ITEM: 805882

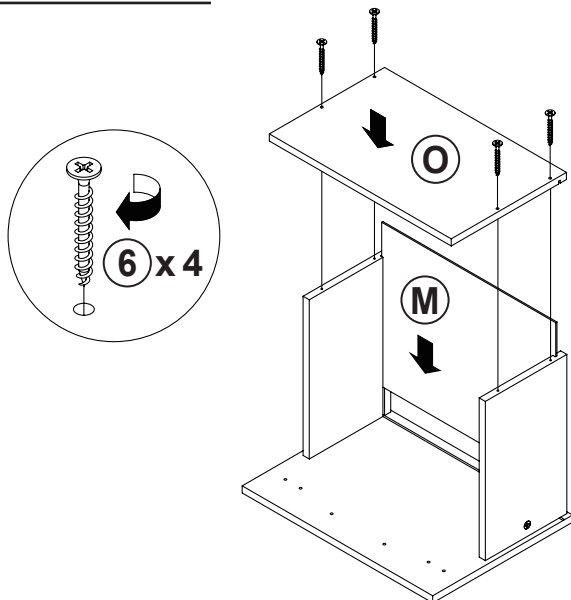
STEP 10-1



STEP 10-2

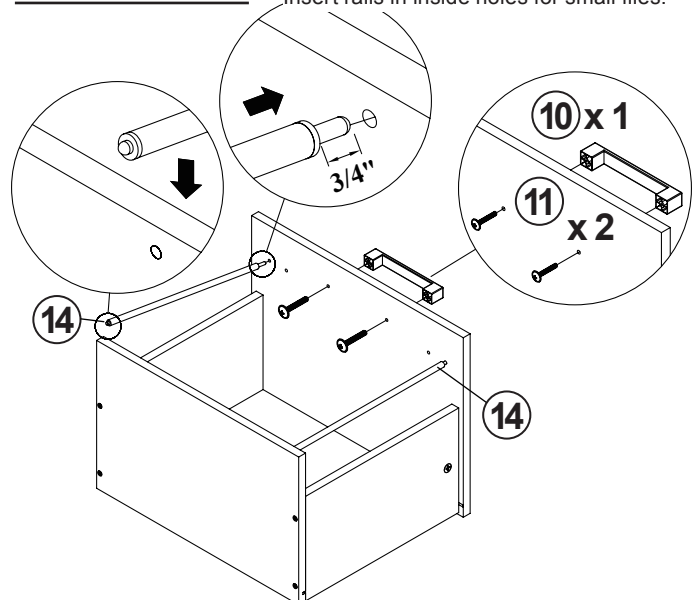


STEP 10-3

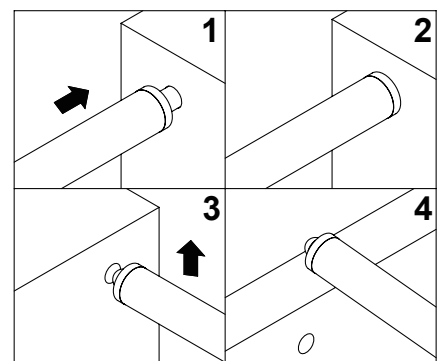
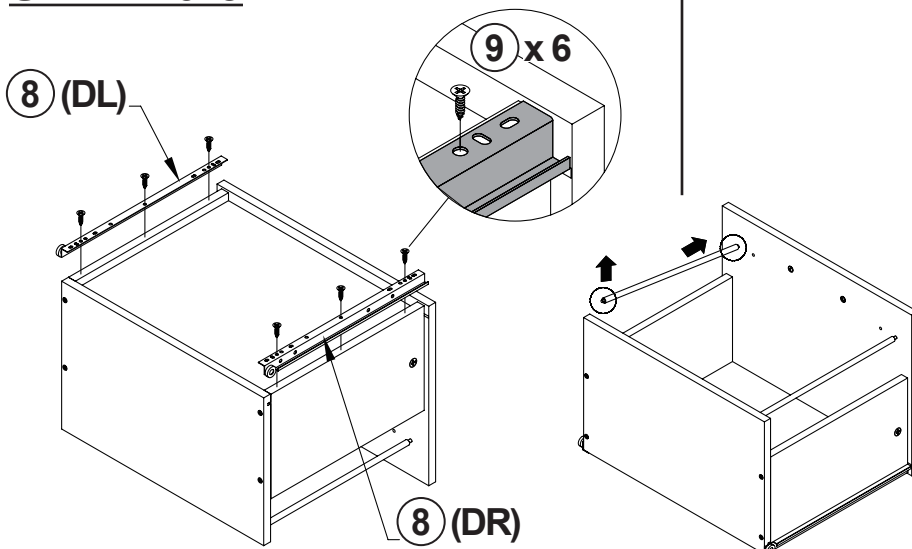


STEP 10-4

Insert rails in outside holes for large files.
Insert rails in inside holes for small files.

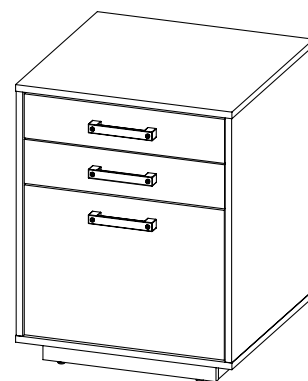
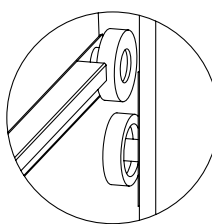
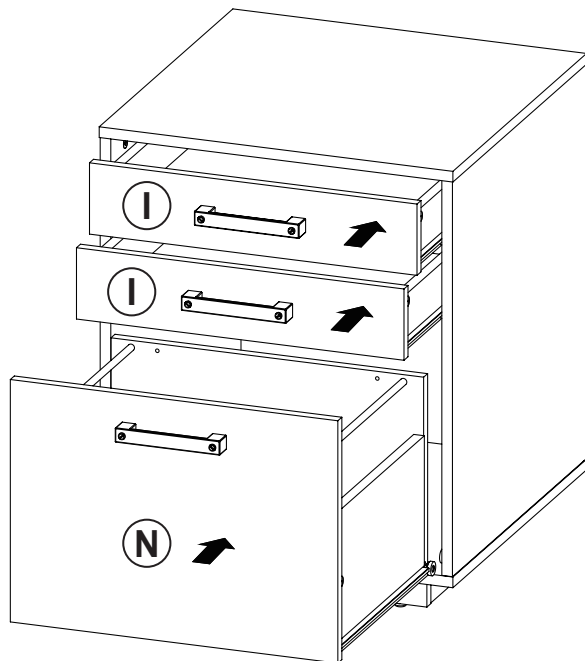


STEP 10-5

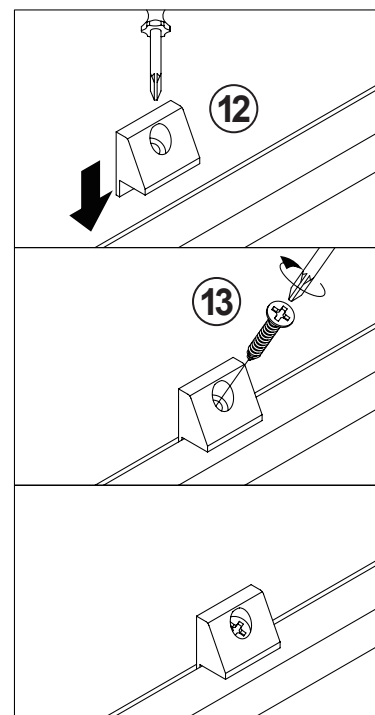
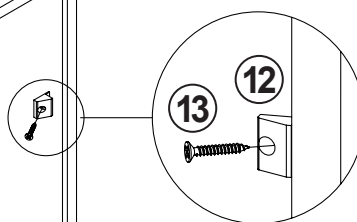
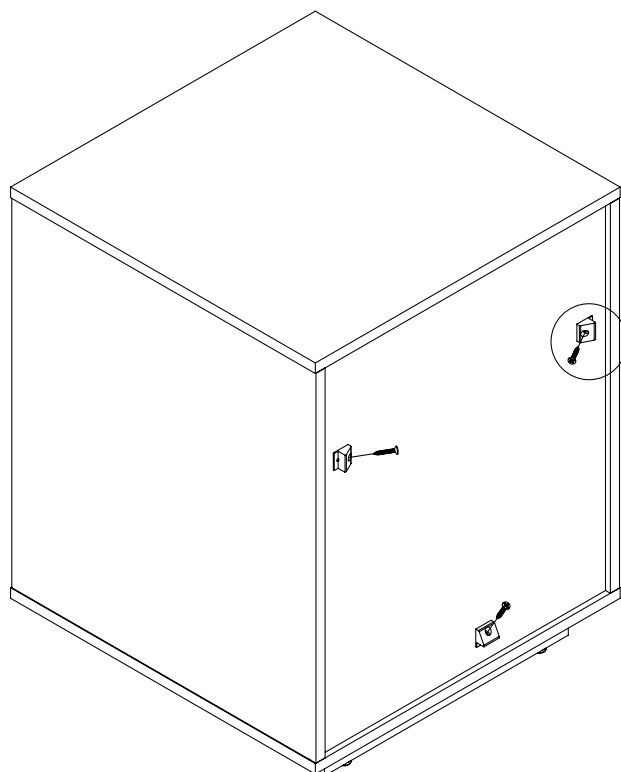
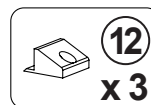


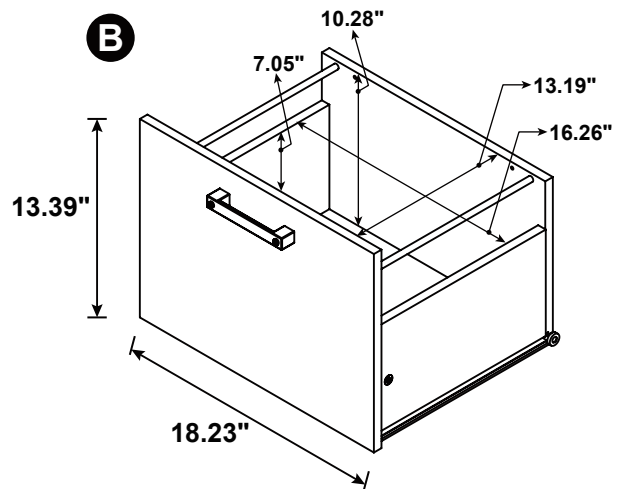
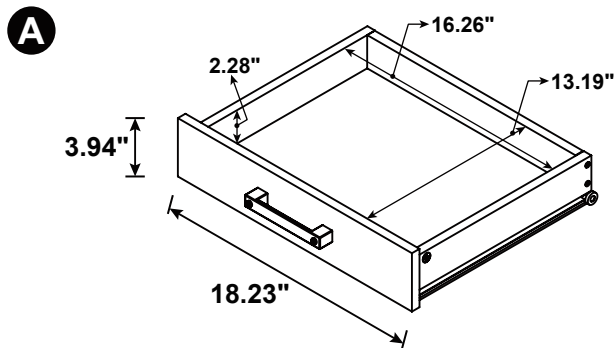
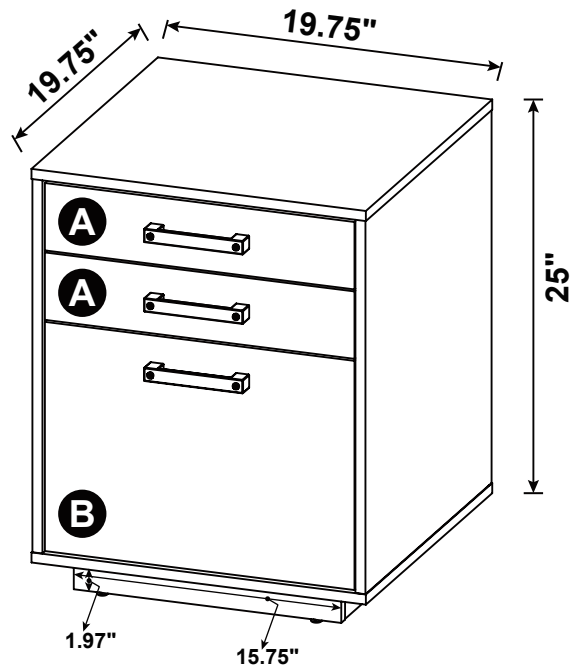
ITEM: 805882

STEP 11



STEP 12





Note : Dimension tolerance $\pm 5\%$