

ASSEMBLY INSTRUCTIONS
COASTER FINE FURNITURE



Fine Furniture for every stage of life

910038
Corner Bookcase

REVISION 0: 07/06/2018
REVISION 1: 07/22/2022

ITEM:910038

ASSEMBLY INSTRUCTIONS



ASSEMBLY TIPS:

1. Remove hardware from box and sort by size.
2. Please check to see that all hardware and parts are present prior to start of assembly.
3. Please follow attached instructions in the same sequence as numbered to assure fast & easy assembly.

WARNING!



1. Don't attempt to repair or modify parts that are broken or defective. Please contact the store immediately.
2. This product is for home use only and not intended for commercial establishments.

ASSEMBLY TIME **30 MINUTES**

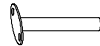


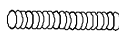







PARTS IDENTIFICATION

A	SIDE FRAME (LEFT)		1PC
B	SIDE FRAME (RIGHT)		1PC
C	SHELF		2PCS
D	SHELF		1PC
E	BOTTOM SHELF		1PC

ITEM:910038



HARDWARE IDENTIFICATION

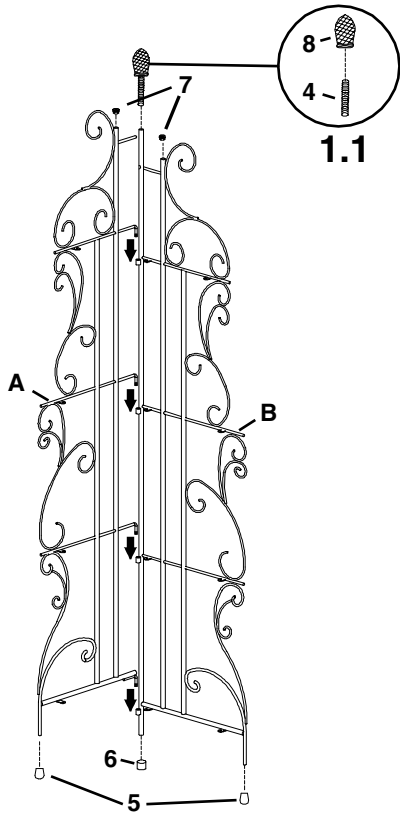
1	POST (45W x 97L mm - BLK)		1PC
2	HEX NUT (6 x 10H mm - BLK)		4PCS
3	ALLEN BOLT (1/4" x 1/2"L - BLK)		14PCS
4	BOLT (32L mm - BLK)		1PC
5	END CAP (10 x 13H mm - BLK)		2PCS
6	END CAP (15 x 15H mm - BLK)		1PC
7	PLUG (13 x 10H mm - BLK)		2PCS
8	FINIAL (20 x 50H mm - BLK)		1PC
9	BOLT (22 x 30L mm - BLK)		1PC
10	OPEN END WRENCH (60L x 25W mm - SR)		1PC
11	ALLEN WRENCH (4 x 20W x 57L mm - SR)		1PC

ITEM:910038

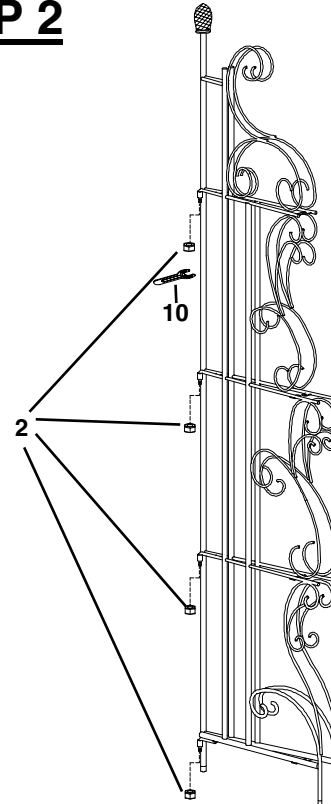
ASSEMBLY INSTRUCTIONS



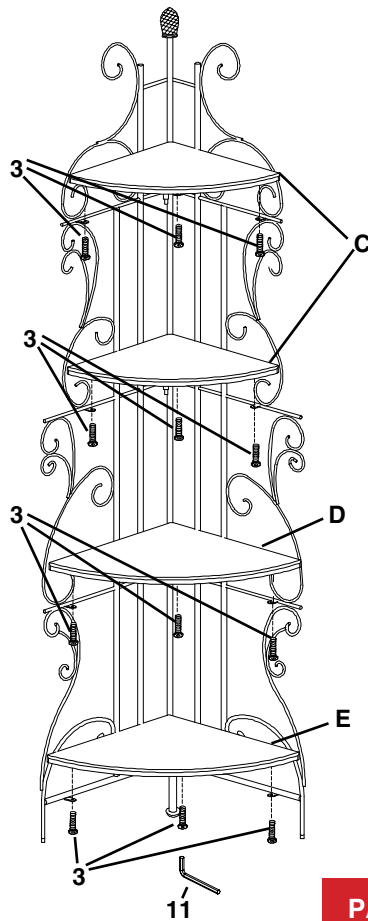
STEP 1



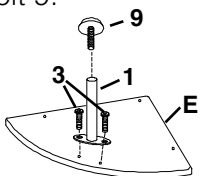
STEP 2



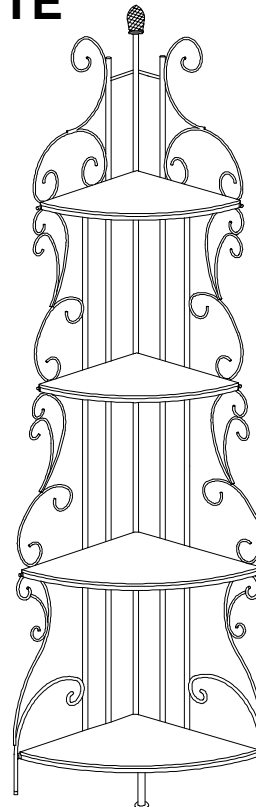
STEP 3



Height Adjustable Bolt 9.

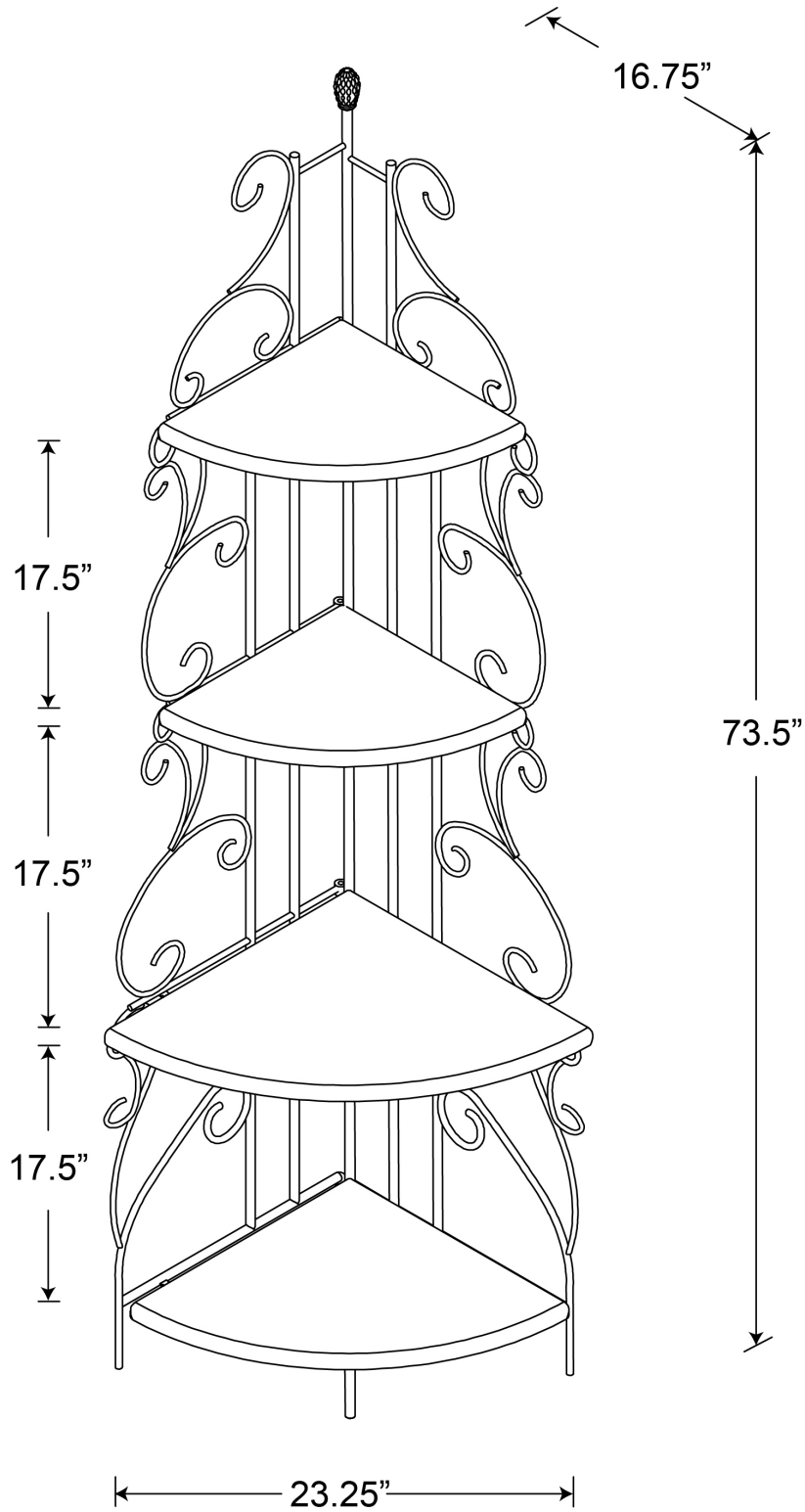


STEP 4
COMPLETE



ITEM:910038

COASTER
FINE FURNITURE



Note : Dimension tolerance $\pm 5\%$

ITEM:910038

ANTI-TIPPING INSTALLMENT INSTRUCTIONS



FURNITURE TIPPING RESTRAINT

WARNING

Injury may result from tipping furniture.
This restraint may protect against tipping furniture.
Do not allow children to climb on furniture.
This restraint is not a substitute for proper adult supervision.
Failure to detach this restraint before moving the furniture may result in injury and damage.

This saddle clamp must be attached to a wall stud using 2 screws enclosed.

1. Attach the plastic wall plug insert into the wall.
2. Place the saddle clamp on the wall rack, then use the 2 screws included to affix to the wall.

