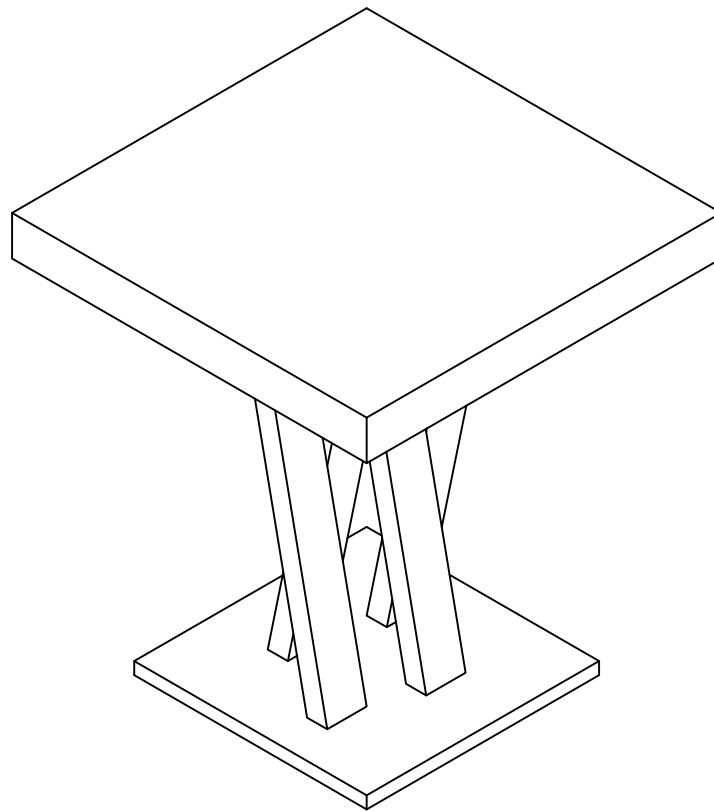


ASSEMBLY INSTRUCTIONS
COASTER FINE FURNITURE



Fine Furniture for every stage of life

100523

Counter Height Table

ITEM: **100523**



ASSEMBLY INSTRUCTIONS

ASSEMBLY TIPS:

- 1. Remove hardware from box and sort by size.
- 2. Please check to see that all hardware and parts are present prior to start of assembly.
- 3. Please follow attached instructions in the same sequence as numbered to assure fast & easy assembly.

Warning !!

- 1. Don't attempt to repair or modify parts that are broken or defective. Please contact the store immediately.
- 2. This product is for home use only and not intended for commercial establishment.



ASSEMBLY TIME

30 MINUTES

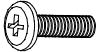
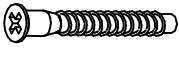



PARTS IDENTIFICATION

(A) LEG		1 PC	(E) BOTTOM PANEL		1 PC
(B) LEG		1 PC	(F) CONNECTING PANEL		1 PC
(C) LEG		1 PC	(G) TOP PANEL		1 PC
(D) LEG		1 PC			

ITEM: **100523**



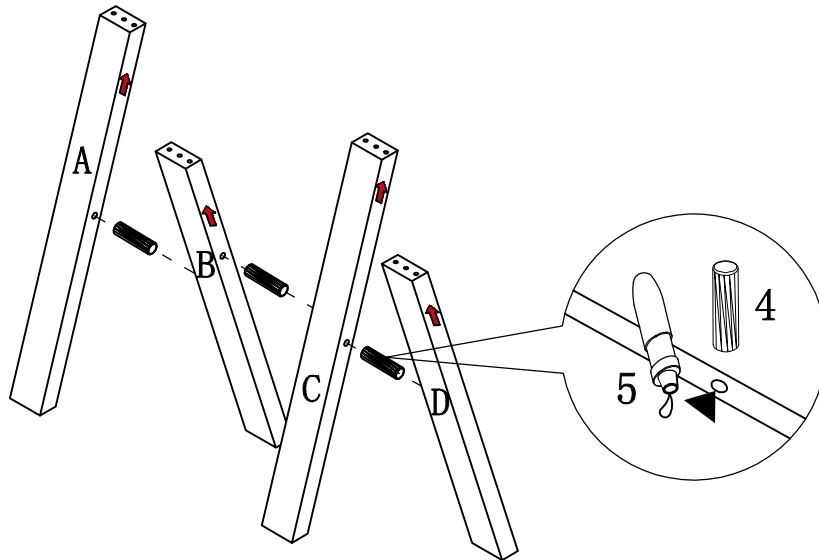
HARDWARE IDENTIFICATION

1	FLAT-HEAD SCREW	M6 × 30mm		4pcs
2	WOOD SCREW	∅7x48mm		8pcs
3	WOOD SCREW	∅7x58mm		8pcs
4	SHORT DOWEL	∅8 × 25mm		11pcs
5	GLUE			1pc

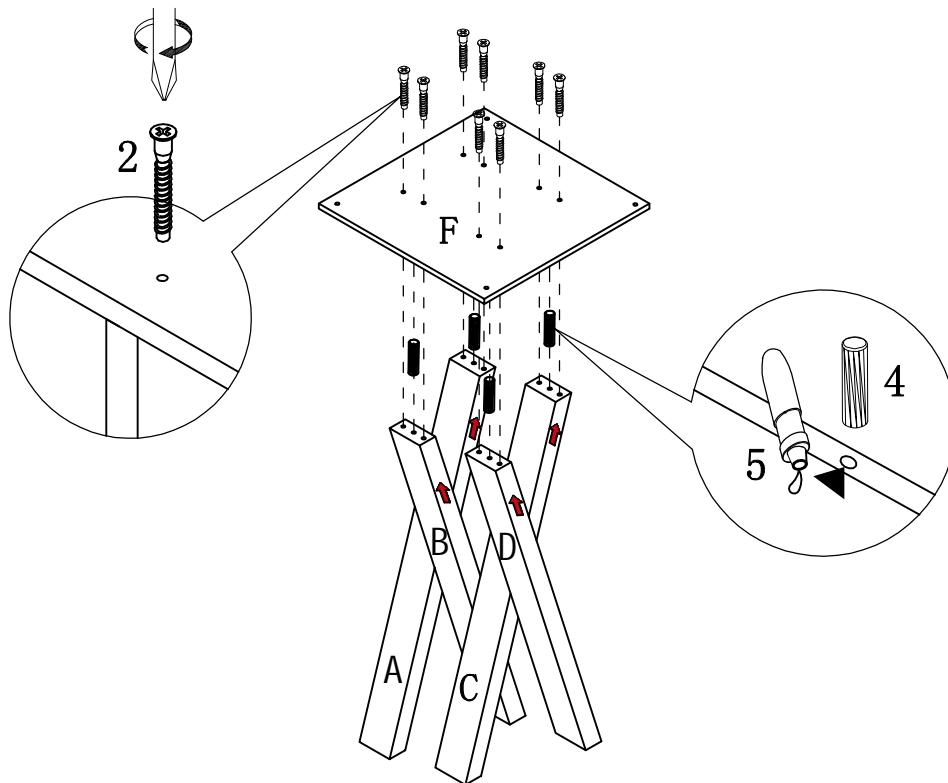
ITEM: **100523**

ASSEMBLY INSTRUCTIONS

STEP 1



STEP 2

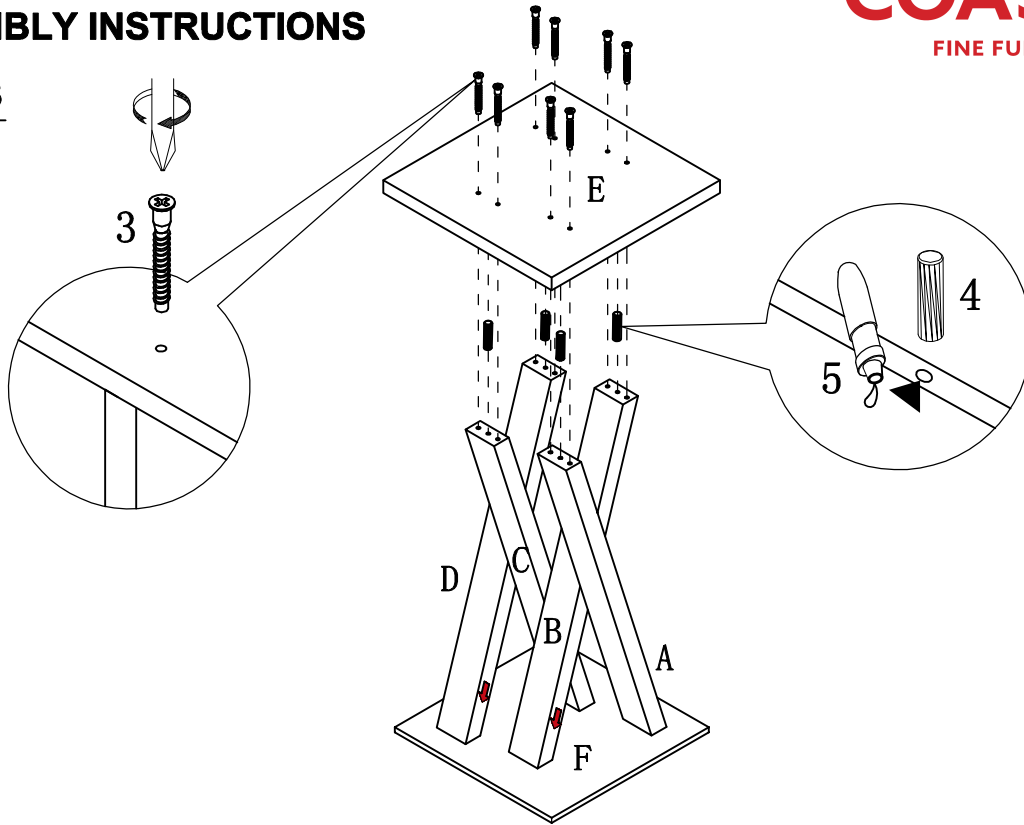


ITEM: **100523**

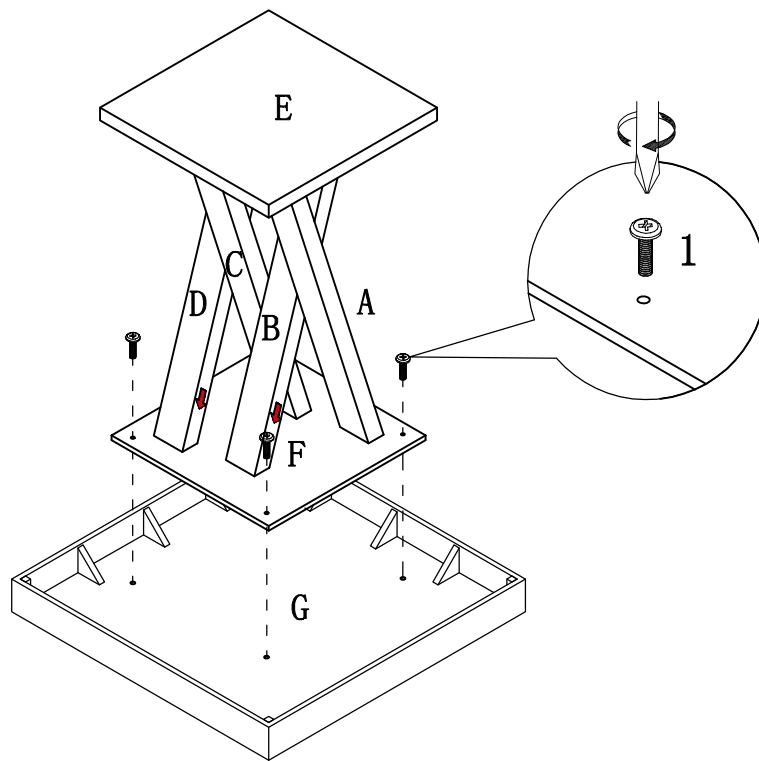
ASSEMBLY INSTRUCTIONS



STEP 3



STEP 4



ITEM: **100520**

DIMENSION

