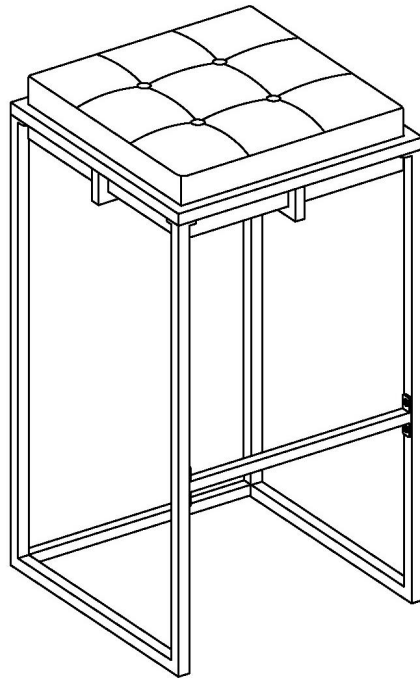


ASSEMBLY INSTRUCTIONS
COASTER FINE FURNITURE



Fine Furniture for every stage of life

REVISION 0: 06/15/2022

183648
Bar stool

ITEM: 183648



ASSEMBLY INSTRUCTIONS

ASSEMBLY TIPS:

1. Remove hardware from box and sort by size.
2. Please check to see that all hardware and parts are present prior to start of assembly.
3. Please follow attached instructions in the same sequence as numbered to assure fast & easy assembly.



WARNING

1. Don't attempt to repair or modify parts that are broken or defective. Please contact the store immediately.
2. This product is for home use only and not intend for commercial establishments.

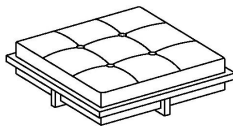


ASSEMBLY TIME

20 MINUTES

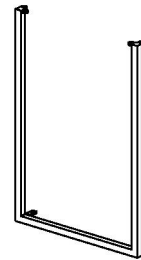
PARTS IDENTIFICATION

A CUSHION



1PC

B LEFT FRAME



1PC

C RIGHT FRAME



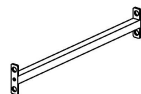
1PC

D BOTTOM BACK CROSSBAR



1PC

E FRONT CROSSBAR

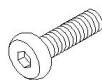


1PC

HARDWARE IDENTIFICATION

1 BOLT

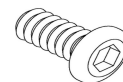
1/4"x3/4"



8PCS

2 BOLT

1/4"x1/2"



8PCS

3 SPRING WASHER

1/4"



8PCS

4 WASHER

1/4"



8PCS

5 ALLEN KEY

4mm



1PC

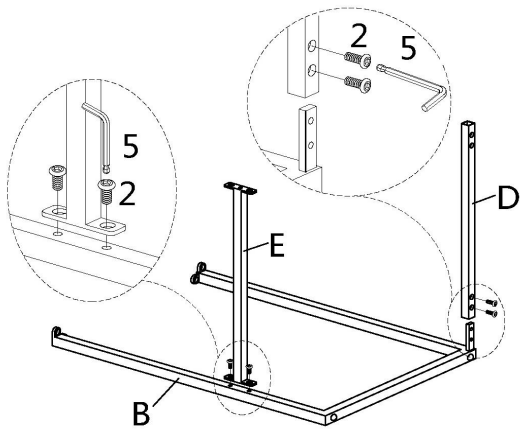
ITEM: 183648

ASSEMBLY INSTRUCTIONS



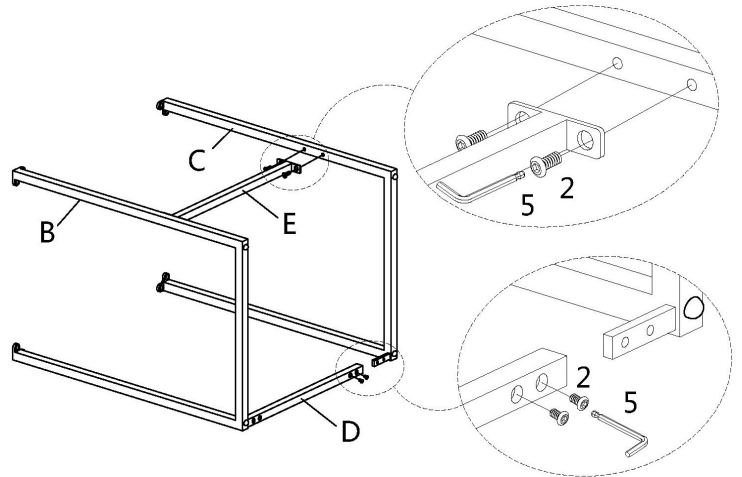
STEP 1

2		4PCS
5		1PC



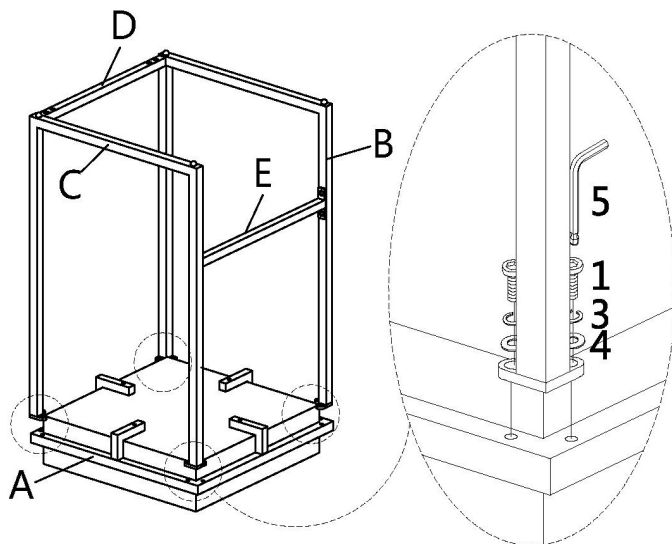
STEP 2

2		4PCS
5		1PC

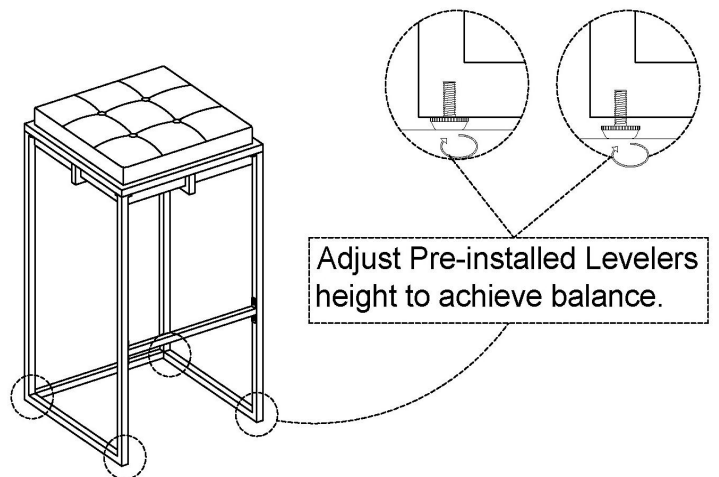


STEP 3

1		8PCS
3		8PCS
4		8PCS
5		1PC



STEP 4

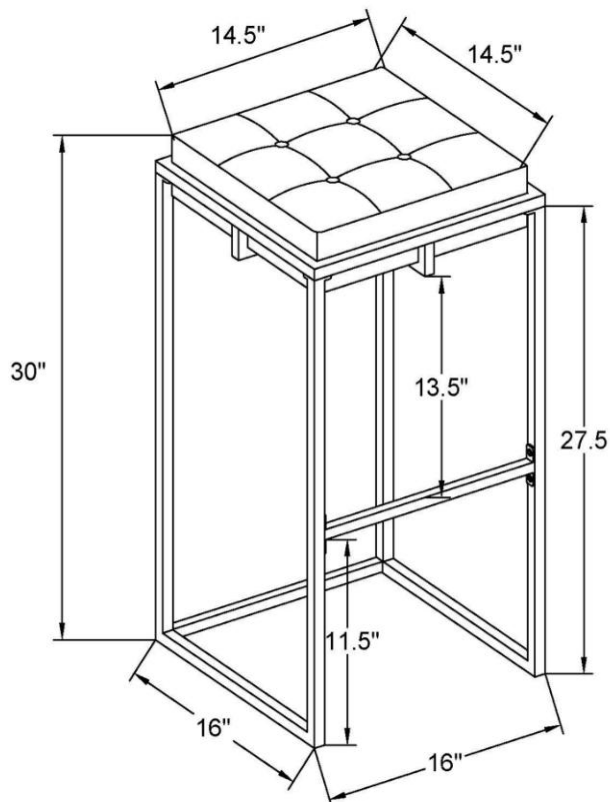
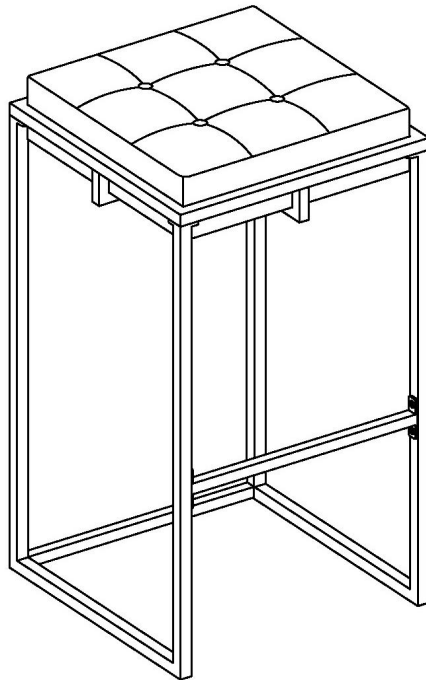


ITEM: **183648**



STEP 5

COMPLETE



Note: Dimension tolerance $\pm 5\%$