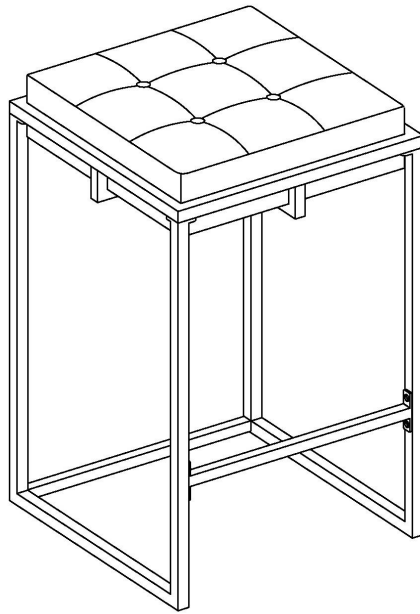




ASSEMBLY INSTRUCTIONS

COASTER FINE FURNITURE



Fine Furniture for every stage of life

REVISION 0: 06/15/2022

183649
Counter ht stool

ITEM: **183649**



ASSEMBLY INSTRUCTIONS

ASSEMBLY TIPS:

1. Remove hardware from box and sort by size.
2. Please check to see that all hardware and parts are present prior to start of assembly.
3. Please follow attached instructions in the same sequence as numbered to assure fast & easy assembly.



WARNING

1. Don't attempt to repair or modify parts that are broken or defective. Please contact the store immediately.
2. This product is for home use only and not intend for commercial establishments.

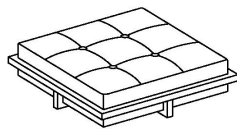


ASSEMBLY TIME

20 MINUTES

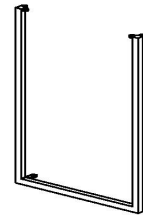
PARTS IDENTIFICATION

A CUSHION



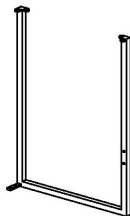
1PC

B LEFT FRAME



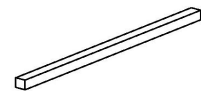
1PC

C RIGHT FRAME



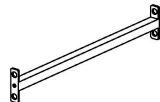
1PC

D BOTTOM BACK CROSSBAR



1PC

E FRONT CROSSBAR



1PC

HARDWARE IDENTIFICATION

1 BOLT

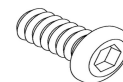
1/4"x3/4"



8PCS

2 BOLT

1/4"x1/2"



8PCS

3 SPRING WASHER

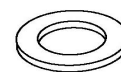
1/4"



8PCS

4 WASHER

1/4"



8PCS

5 ALLEN KEY

4mm



1PC

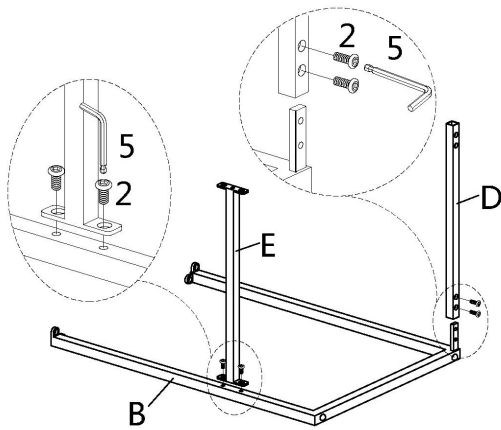
ITEM: 183649

ASSEMBLY INSTRUCTIONS



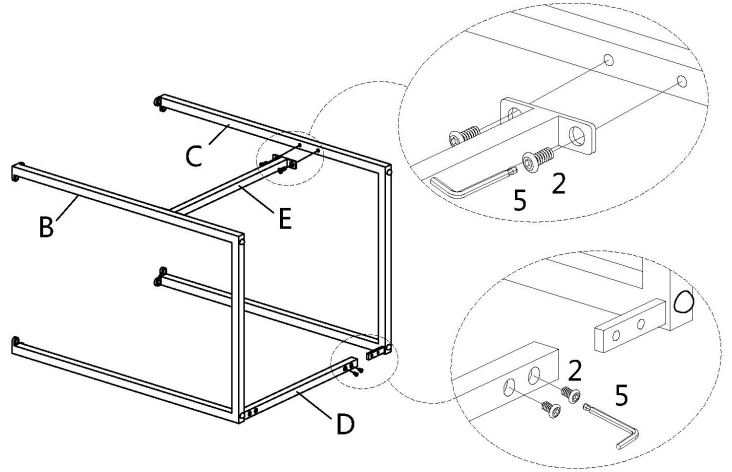
STEP 1

- | | | |
|---|--|------|
| 2 | | 4PCS |
| 5 | | 1PC |



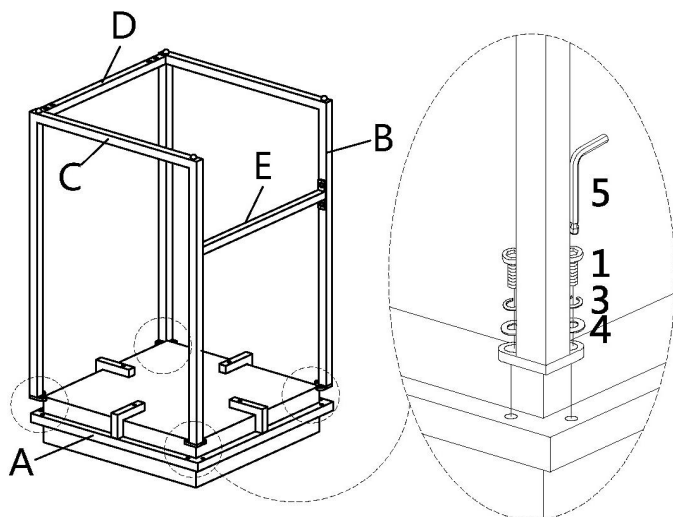
STEP 2

- | | | |
|---|--|------|
| 2 | | 4PCS |
| 5 | | 1PC |

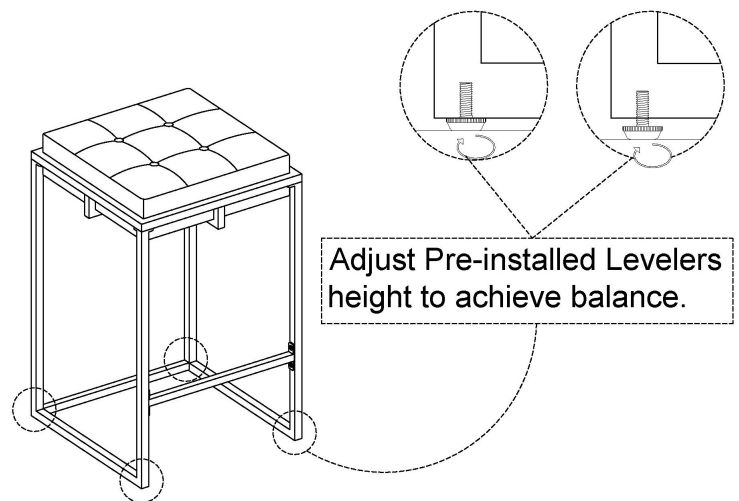


STEP 3

- | | | |
|---|--|------|
| 1 | | 8PCS |
| 3 | | 8PCS |
| 4 | | 8PCS |
| 5 | | 1PC |



STEP 4

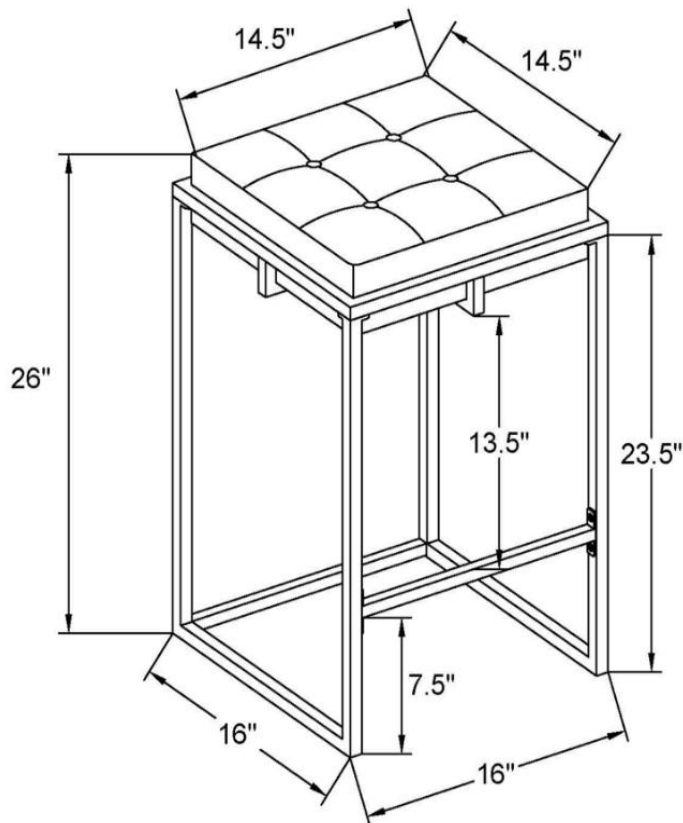
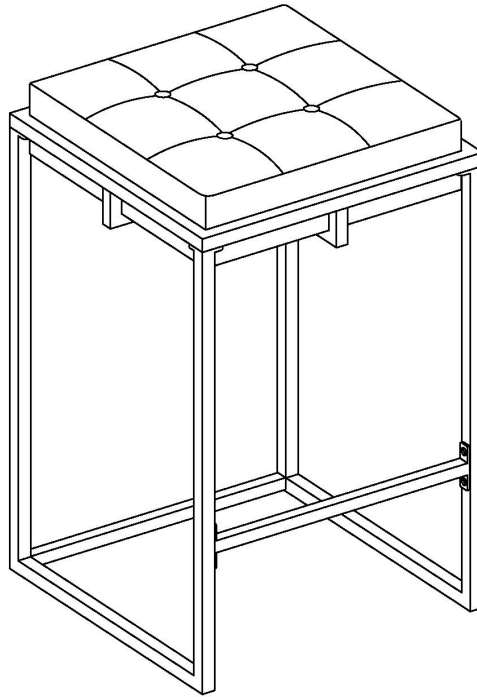


ITEM: **183649**



STEP 5

COMPLETE



Note: Dimension tolerance $\pm 5\%$