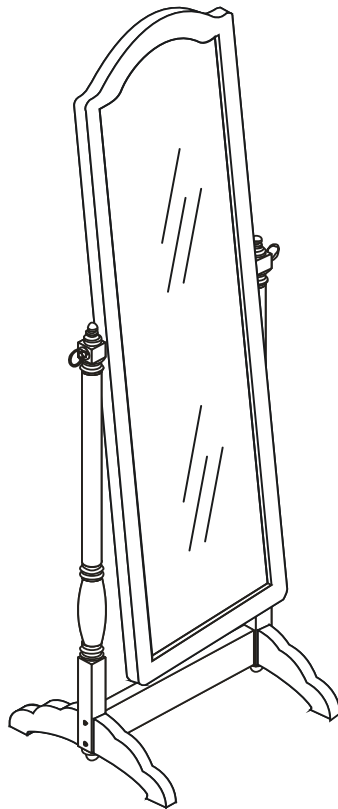


**ASSEMBLY INSTRUCTIONS**  
**COASTER FINE FURNITURE**



*Fine Furniture for every stage of life*

**3103**  
**CHEVAL MIRROR**

## ASSEMBLY INSTRUCTIONS

### ASSEMBLY TIPS:

1. Remove hardware from box and sort by size.
2. Please check to see that all hardware and parts are present prior to start of assembly.
3. Please follow attached instructions in the same sequence as numbered to assure fast & easy assembly.




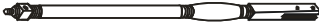
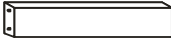
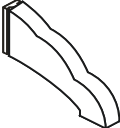

### WARNING!

1. Don't attempt to repair or modify parts that are broken or defective. Please contact the store immediately.
2. This product is for home use only and not intended for commercial establishments.




**ASSEMBLY TIME**

**20 MINUTES**

## PARTS IDENTIFICATION

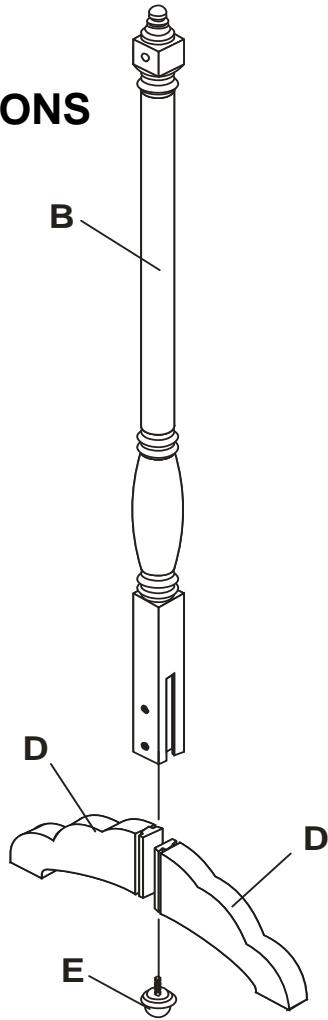
A	MIRROR		1PC
B	POST		2PCS
C	CROSS BRACE		1PC
D	LEG		4PCS
E	WOODEN KNOB WITH BOLT		2PCS

## HARDWARE IDENTIFICATION

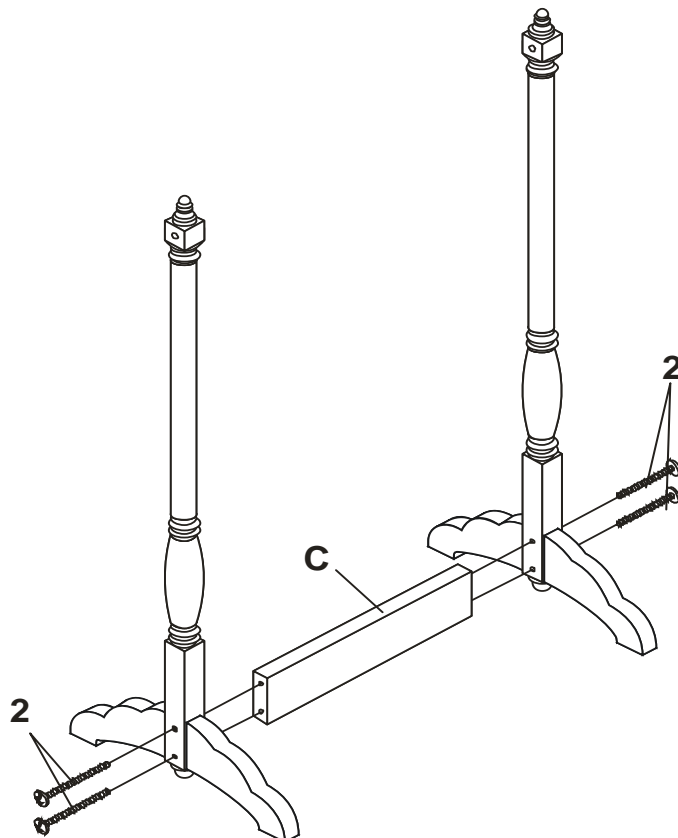
1	BRASS EYEBOLT (5/16" x 2-3/4" BLK)		2PCS
2	BOLT (1/4" x 2-1/2" BLK)		4PCS
3	WASHER (Ø23 x Ø8 x 1mm BLK)		2PCS

ITEM: **3103**

**ASSEMBLY INSTRUCTIONS**  
**STEP 1**

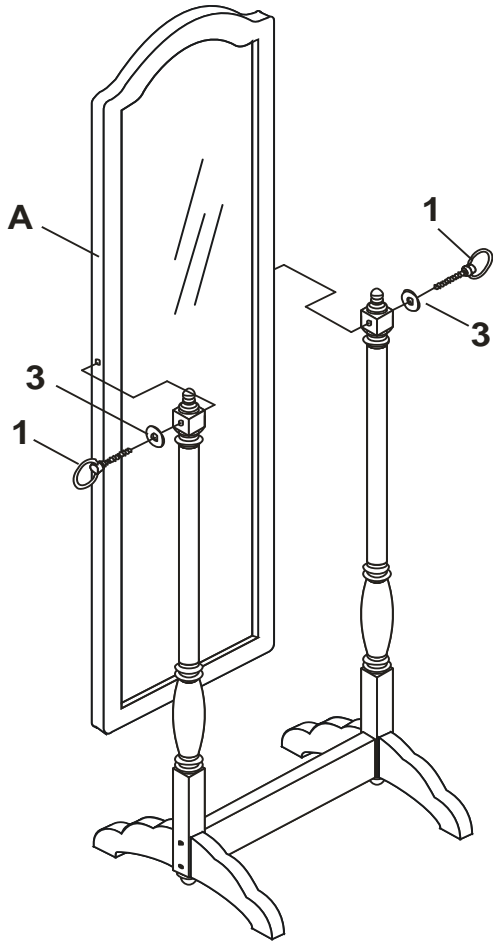


**STEP 2**



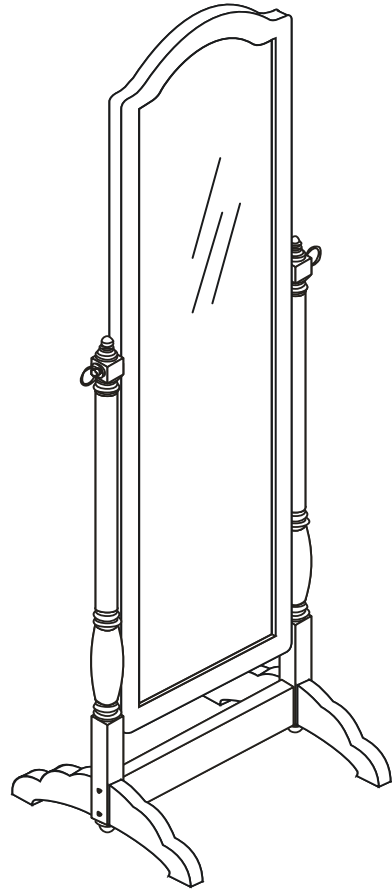
ITEM: **3103**

**ASSEMBLY INSTRUCTIONS**  
**STEP 3**

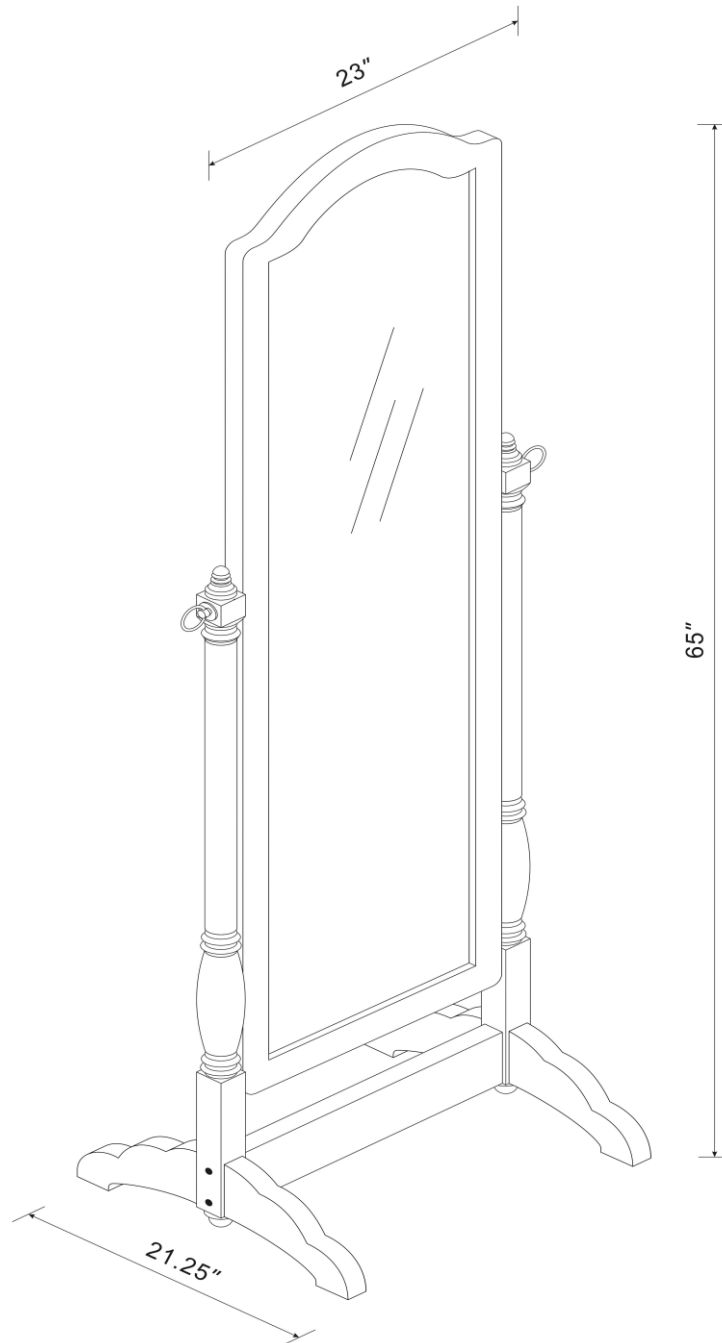


**COASTER**  
FINE FURNITURE

**STEP 4**  
**COMPLETE**



ITEM: **3103**



**Note :** Dimension tolerance  $\pm 5\%$