

ASSEMBLY INSTRUCTIONS
COASTER FINE FURNITURE



Fine Furniture for every stage of life

3512
SERVING CART

ASSEMBLY INSTRUCTIONS

ASSEMBLY TIPS:

1. Remove hardware from box and sort by size.
2. Please check to see that all hardware and parts are present prior to start of assembly.
3. Please follow attached instructions in the same sequence as numbered to assure fast & easy assembly.



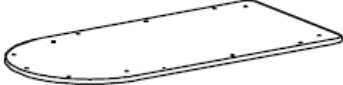



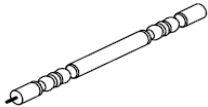
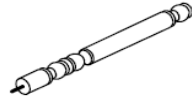


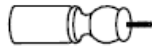



WARNING!

1. Don't attempt to repair or modify parts that are broken or defective. Please contact the store immediately.
2. This product is for home use only and not intended for commercial establishments.

ASSEMBLY TIME

30 MINUTES





PARTS IDENTIFICATION

| | | | |
|---|--------------------|--|-------|
| A | TOP & BOTTOM PANEL |  | 2PCS |
| B | BRACES |  | 4PCS |
| C | FRONT CROSSBAND |  | 2PCS |
| D | SHELF PANEL |  | 1PC |
| E | LONG POST |  | 2PCS |
| F | SHORT POST |  | 2PCS |
| G | HANDLE |  | 1PC |
| H | LEG |  | 4PCS |
| I | POST |  | 2PCS |
| J | LEFT & RIGHT |  | 2PCS |
| K | PLASTIC DECORATION |  | 18PCS |
| L | CROWN MOULDING |  | 2PCS |

ITEM: **3512**

ASSEMBLY INSTRUCTIONS

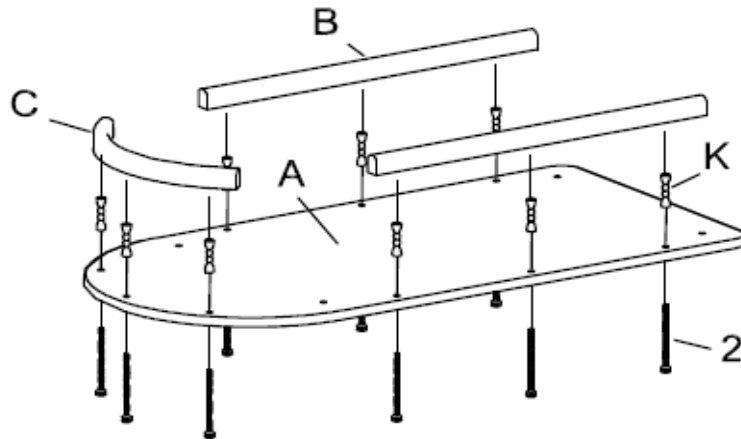
HARDWARE IDENTIFICATION

| | | | |
|---|-----------------------------------|--|-------|
| 1 | WASHER (Ø 19mm RBW) |  | 2PCS |
| 2 | BOLT (3/16" x 54mm RBW) |  | 18PCS |
| 3 | CASTER (Ø 40mm BLK) |  | 4PCS |
| 4 | BOX WRENCH (60mm) |  | 1PC |

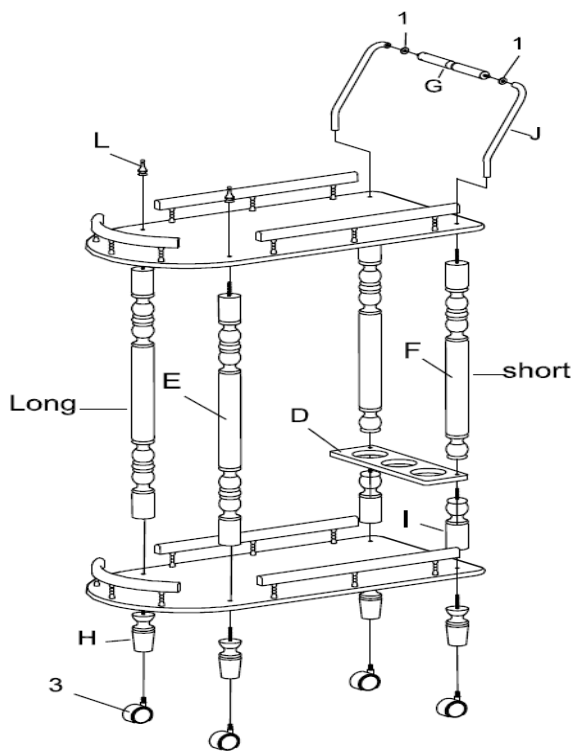
ITEM: **3512**

ASSEMBLY INSTRUCTIONS

STEP 1

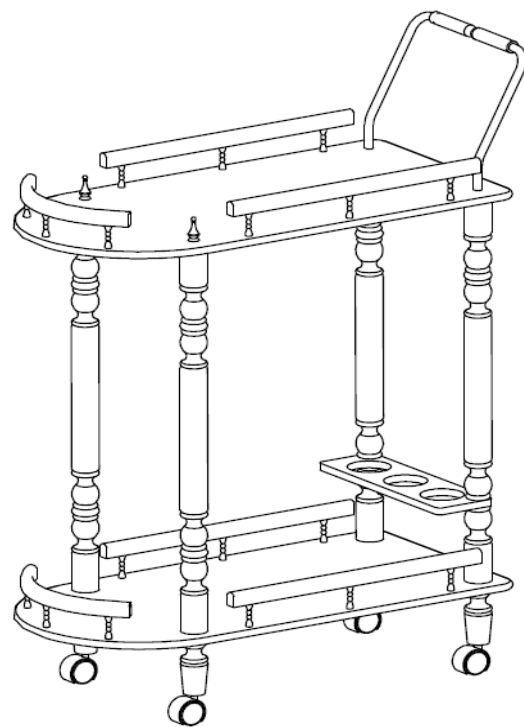


STEP 2

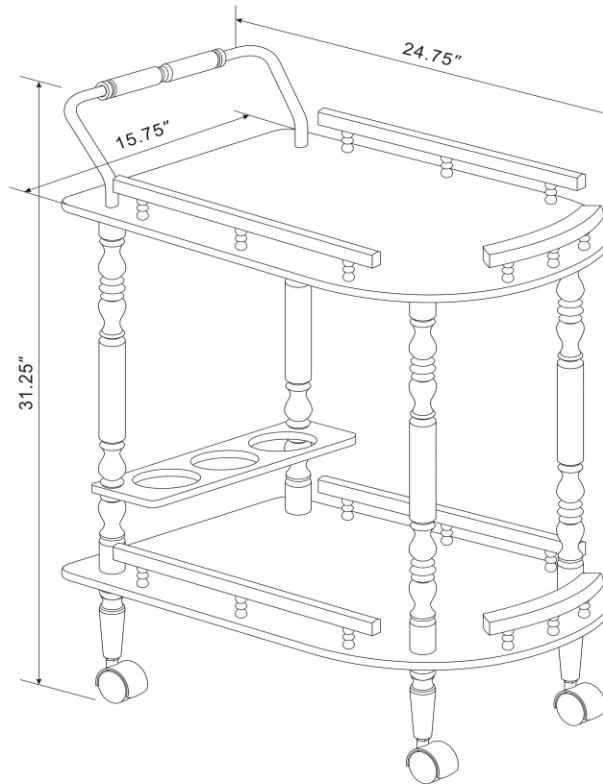
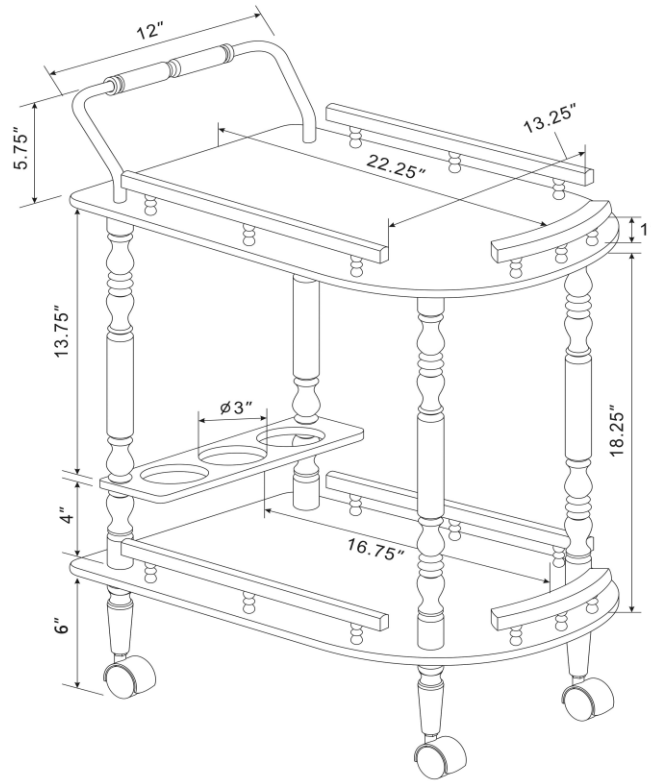


STEP 3

COMPLETE



ITEM:3512



Note : Dimension tolerance $\pm 5\%$