



## ASSEMBLY INSTRUCTIONS COASTER FINE FURNITURE



Fine Furniture for every stage of life

**505393**  
**CHAIR**

REVISION0:06/15/2019  
REVISION1:05/20/2020  
REVISION2:07/28/2022

PAGE 1 OF 4

COASTERFURNITURE.COM

ITEM : 505393



# ASSEMBLY INSTRUCTIONS

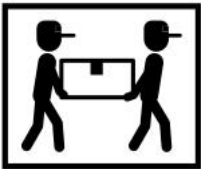
## ASSEMBLY TIPS:

- 1.Remove hardware from box and sort by size.
- 2.Please check to see that all hardware and parts are present prior to start of assembly.
- 3.Please follow attached instruction in the same sequence as numbered to assure fast & easy assembly.



### WARNING!

- 1.Don't attempt to repair or modify parts that are broken or defective. Please contact the store immediately.
- 2.This product is for home use only and not intended for commercial establishment.

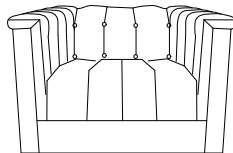


ASSEMBLY TIME

5 MINUTES

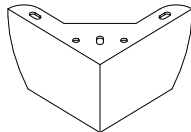
## PARTS IDENTIFICATION

A CHAIR



1 PC

B LEGS



4 PCS

## HARDWARE IDENTIFICATION

1 Allen wrench  
5\*23\*73mm



1 PC

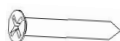
3

Washer M8  
21\*21\*1mm



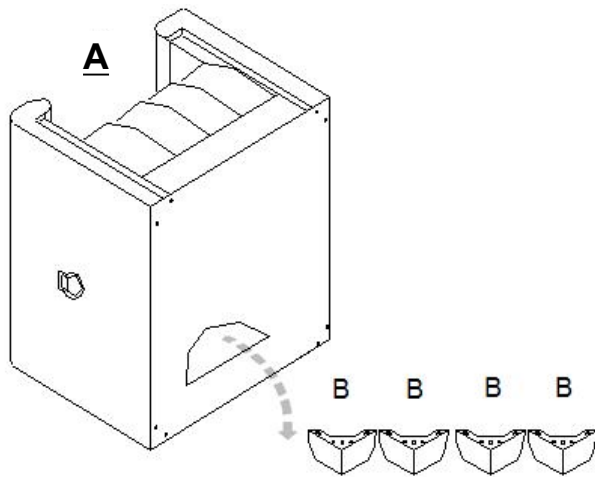
8 PCS

2 Wood screw  
30\*10\*10mm

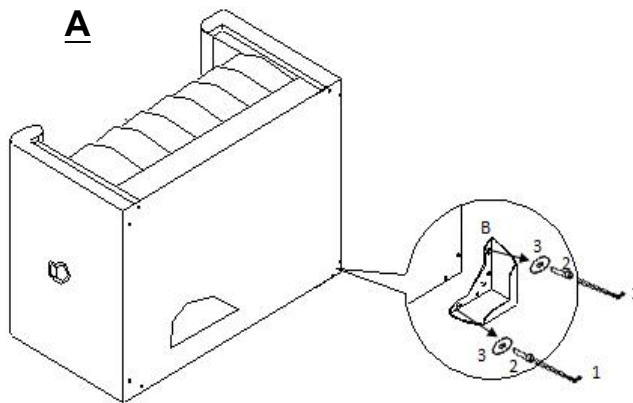


8 PCS

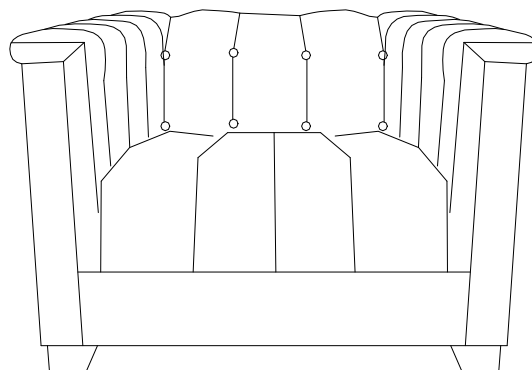
**ITEM : 505393**  
**ASSEMBLY INSTRUCTIONS**  
**STEP 1**



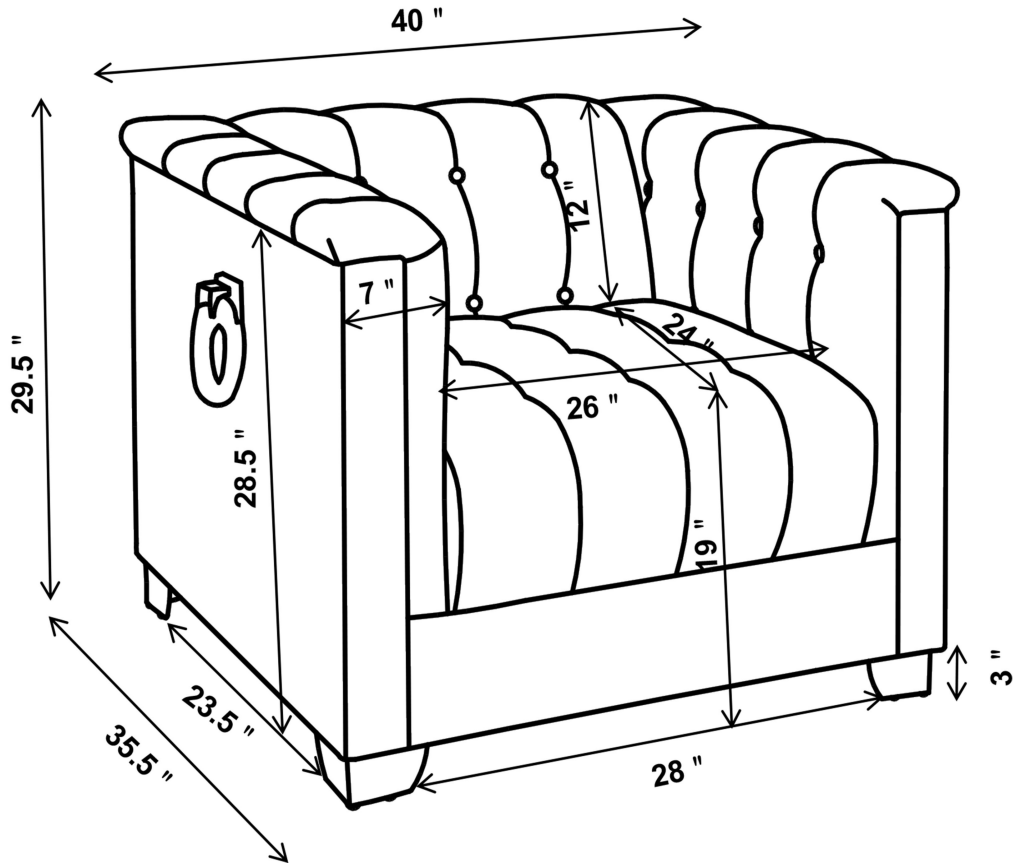
**STEP 2**



**STEP 3**



ITEM : 505393



NOTE:Dimension tolerance  $\pm 5\%$

