



ASSEMBLY INSTRUCTIONS COASTER FINE FURNITURE



Fine Furniture for every stage of life

509515
LOVESEAT

REVISION 0: 04/11/2020
REVISION 1: 07/28/2022

PAGE 1 OF 4

COASTERFURNITURE.COM

ITEM : 509515



ASSEMBLY INSTRUCTIONS

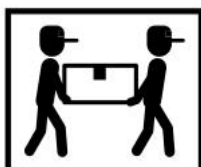
ASSEMBLY TIPS:

- 1.Remove hardware from box and sort by size.
- 2.Please check to see that all hardware and parts are present prior to start of assembly.
- 3.Please follow attached instruction in the same sequence as numbered to assure fast & easy assembly.



WARNING!

- 1.Don't attempt to repair or modify parts that are broken or defective. Please contact the store immediately.
- 2.This product is for home use only and not intended for commercial establishment.

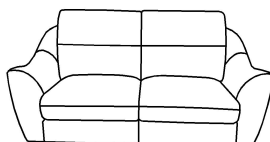


ASSEMBLY TIME

10 MINUTES

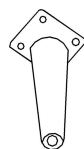
PARTS IDENTIFICATION

A LOVESEAT



1PC

B LEG



4PCS

HARDWARE IDENTIFICATION

1 Allen wrench
5*23*73mm



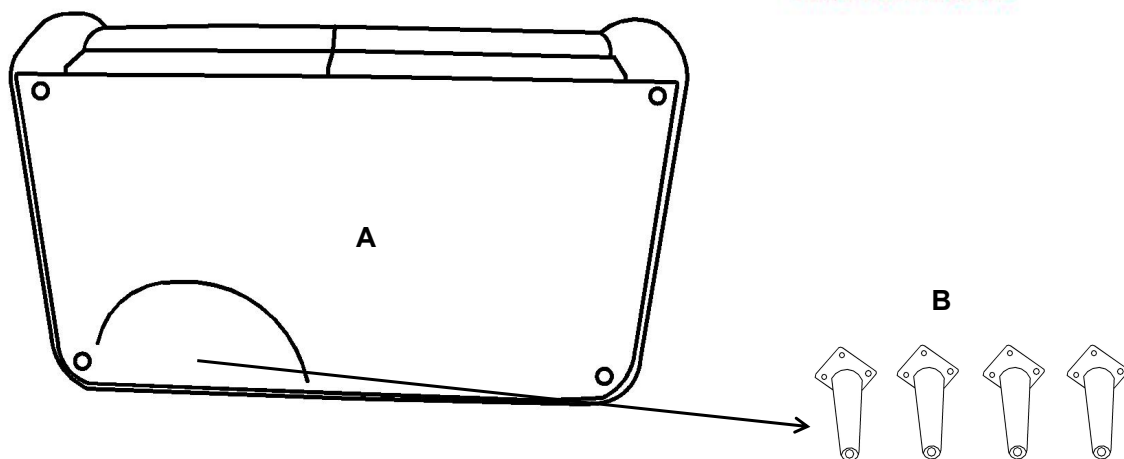
1 PC

2 Bolt
M8*30mm

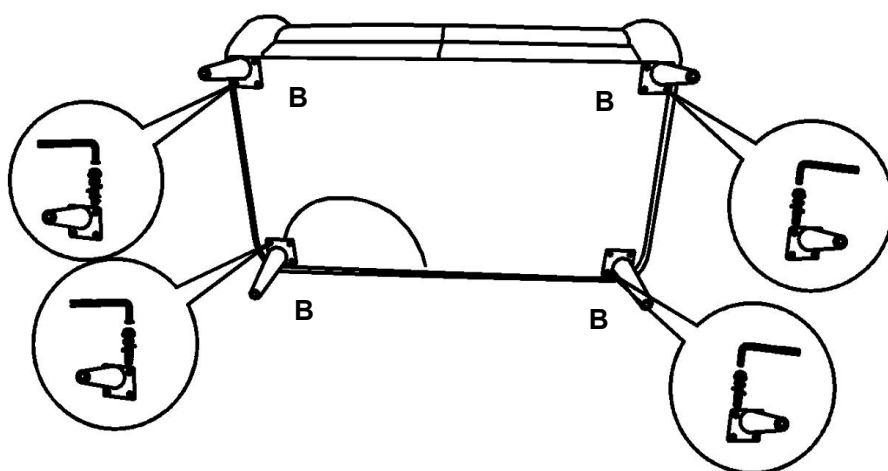


12 PCS

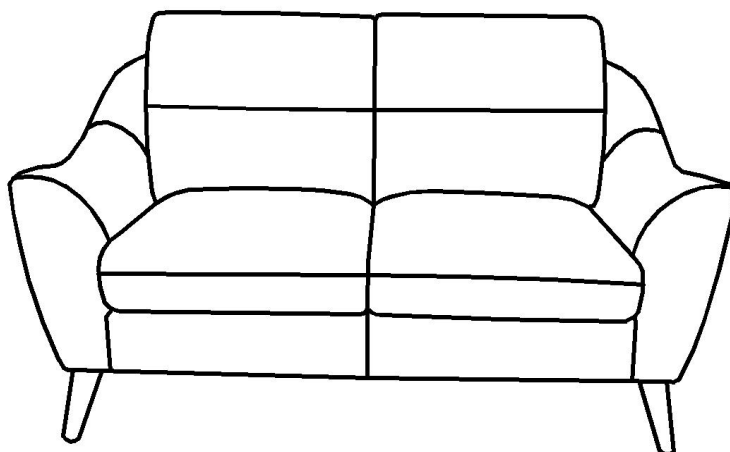
ITEM : 509515
ASSEMBLY INSTRUCTIONS
STEP 1



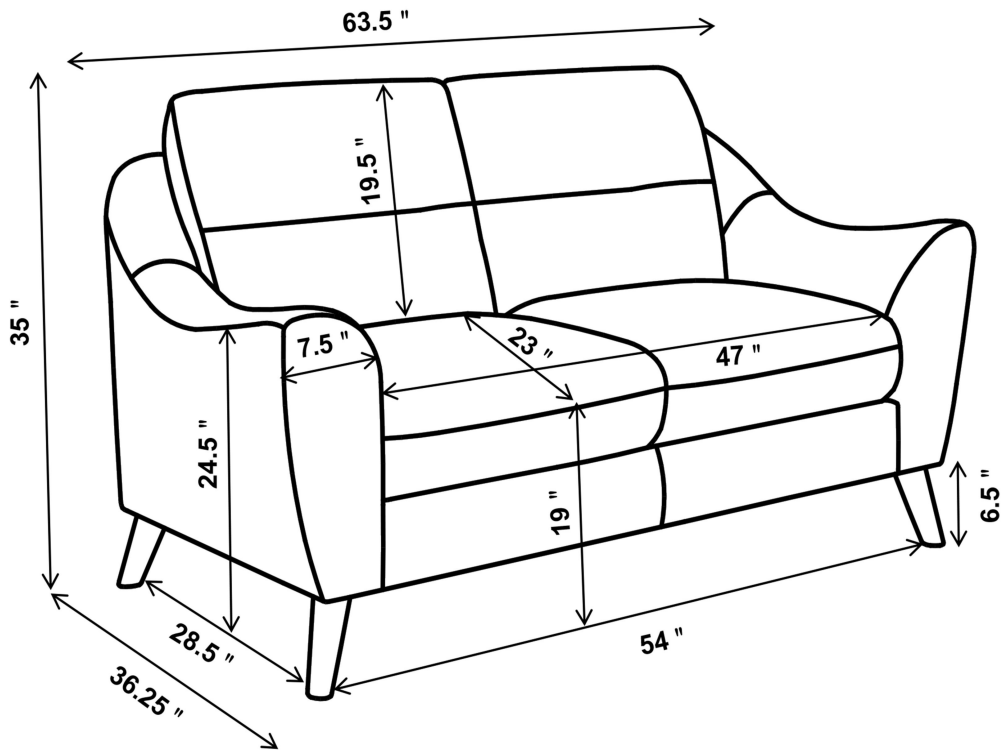
STEP 2



STEP 3



ITEM : 509515



NOTE:Dimension tolerance $\pm 5\%$

