



ASSEMBLY INSTRUCTIONS COASTER FINE FURNITURE



Fine Furniture for every stage of life

509881

SOFA

REVISION 0: 03/26/2022
REVISION 1: 07/14/2022

PAGE 1 OF 4

COASTERFURNITURE.COM

ITEM : 509881



ASSEMBLY INSTRUCTIONS

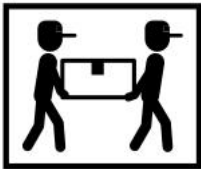
ASSEMBLY TIPS:

- 1.Remove hardware from box and sort by size.
- 2.Please check to see that all hardware and parts are present prior to start of assembly.
- 3.Please follow attached instruction in the same sequence as numbered to assure fast & easy assembly.



WARNING!

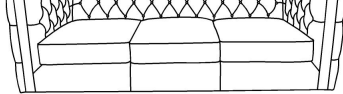



- 1.Don't attempt to repair or modify parts that are broken or defective. Please contact the store immediately.
- 2.This product is for home use only and not intended for commercial establishment.




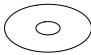

ASSEMBLY TIME

10 MINUTES

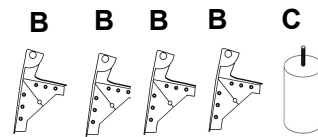
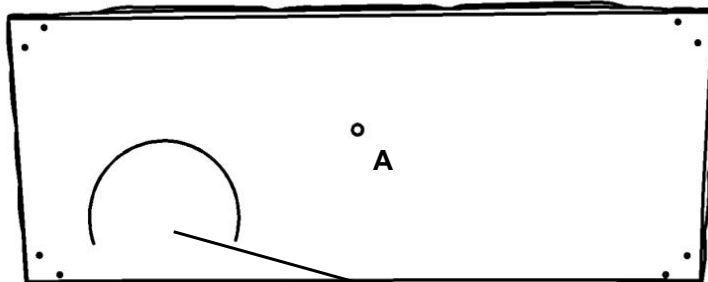
PARTS IDENTIFICATION

A	SOFA		1PC
B	LEG		4PCS
C	MIDDLE LEG		1PC
D	PILLOW		2PCS

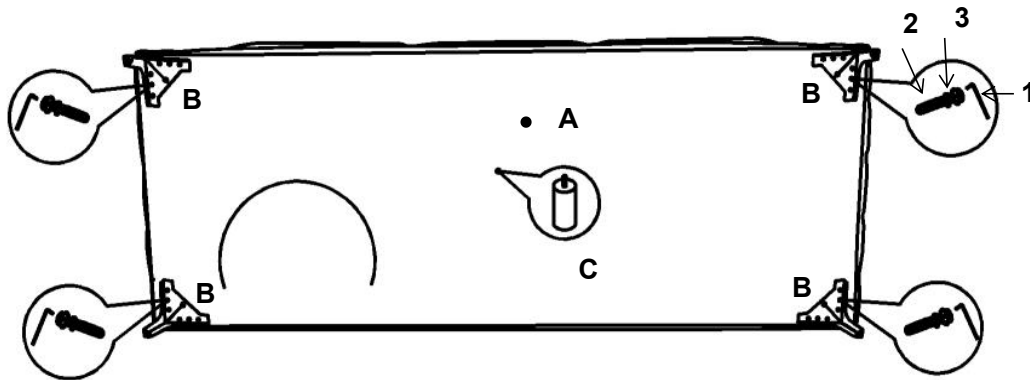
HARDWARE IDENTIFICATION

1	Allen wrench 5*23*73mm		1 PC	3	Washer M8 21*21*1mm		8 PCS
2	Wood screw 30*10*10mm		8 PCS				

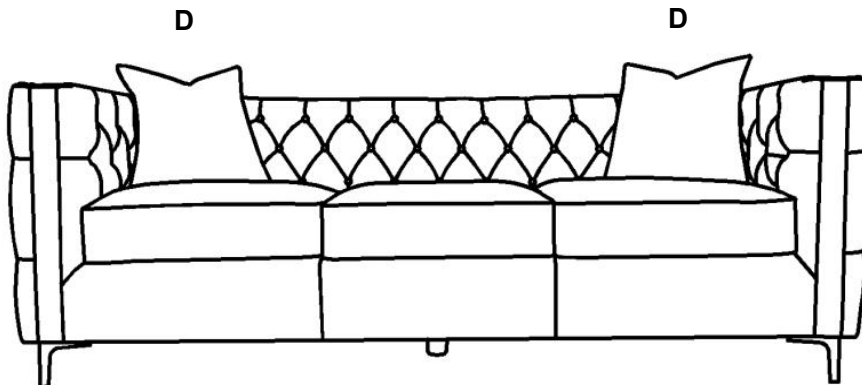
ITEM : 509881
ASSEMBLY INSTRUCTIONS
STEP 1



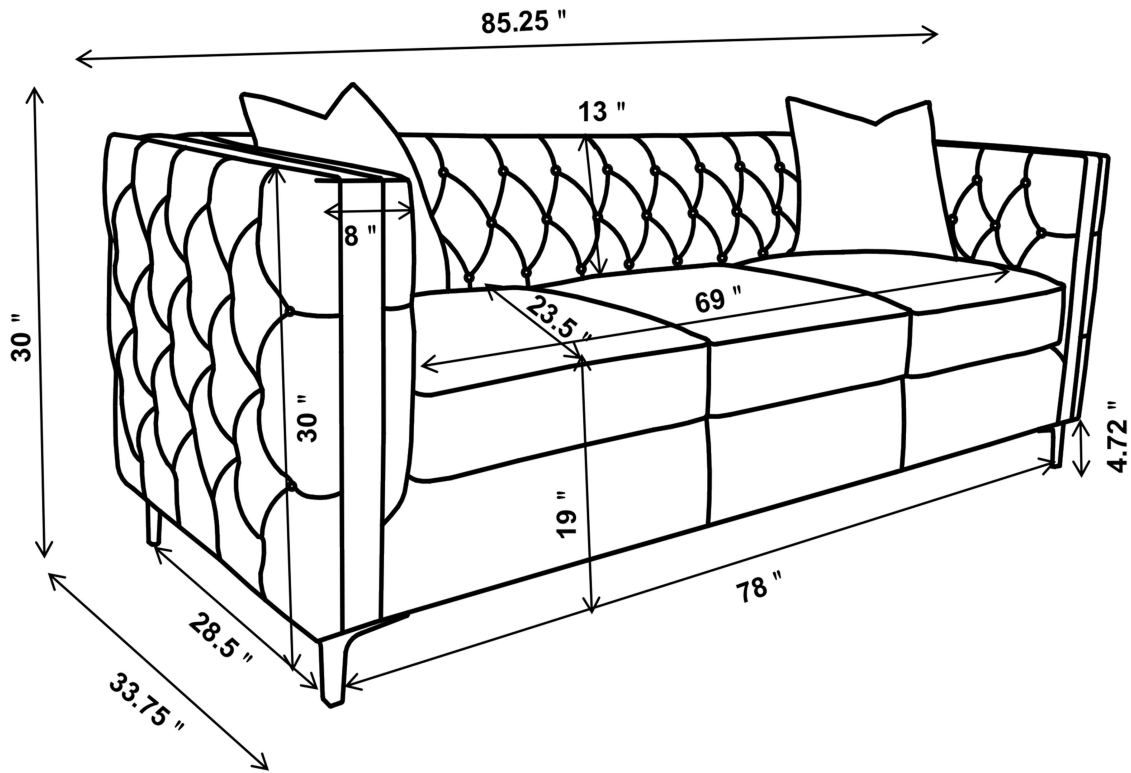
STEP 2



STEP 3



ITEM : 509881



NOTE: Dimension tolerance $\pm 5\%$

