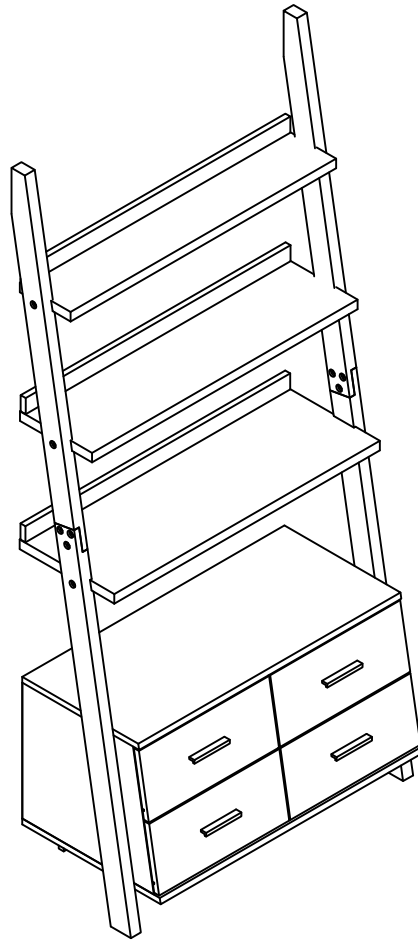


ASSEMBLY INSTRUCTIONS COASTER FINE FURNITURE



Fine Furniture for every stage of life

800319
Bookcase

ITEM:800319



ASSEMBLY INSTRUCTIONS

ASSEMBLY TIPS:

- 1.Remove hardware from box and sort by size.
- 2.Please check to see that all hardware and parts are present prior to start of assembly.
- 3.Please follow attached instructions in the same sequence as numbered to assure fast & easy assembly.

Warning !!

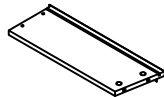

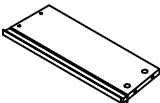
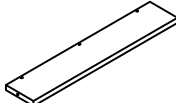
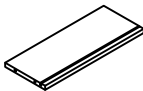
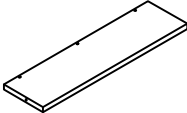
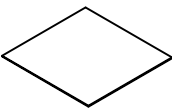
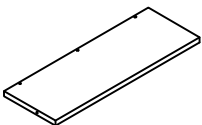
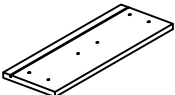
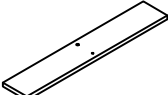
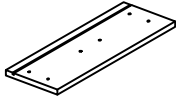
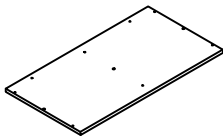
1. Don't attempt to repair or modify parts that are broken or defective. Please contact the store immediately.
2. This product is for home use only and not intended for commercial establishment.



ASSEMBLY TIME

30 MINUTES

PARTS IDENTIFICATION

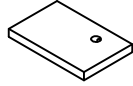
(A) DRAWER LEFT SIDE		4 PCS	(G) BAFFLE		3 PCS
(B) DRAWER RIGHT SIDE		4 PCS	(H) TOP SHELF		1 PC
(C) DRAWER BACK PANEL		4 PCS	(I) MIDDLE SHELF		1 PC
(D) DRAWER BOTTOM PANEL		4 PCS	(J) BOTTOM SHELF		1 PC
(E) LEFT DRAWER FRONT PANEL		2 PCS	(K) REAR BOTTOM SUPPORT		1 PC
(F) RIGHT DRAWER FRONT PANEL		2 PCS	(L) BOTTOM PANEL		1 PC

ITEM:800319



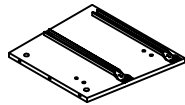
PARTS IDENTIFICATION

(M) BOTTOM SLAT



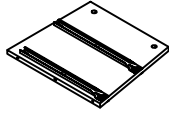
1 PC

(N) LEFT SIDE PANEL



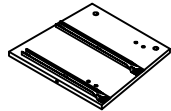
1 PC

(O) DRAWER DIVIDER



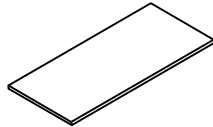
1 PC

(P) RIGHT SIDE PANEL



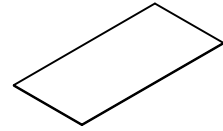
1 PC

(Q) TOP



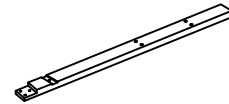
1 PC

(R) BACK PANEL



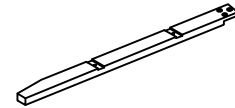
1 PC

(S) LEFT BOTTOM LEG



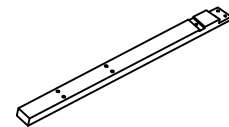
1 PC

(T) LEFT TOP LEG



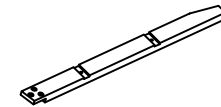
1 PC

(U) RIGHT BOTTOM LEG



1 PC

(V) RIGHT TOP LEG

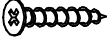
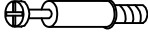

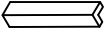


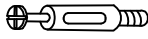





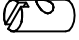
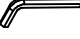


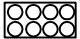


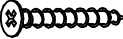



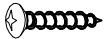

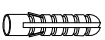
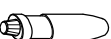


1 PC

ITEM:800319



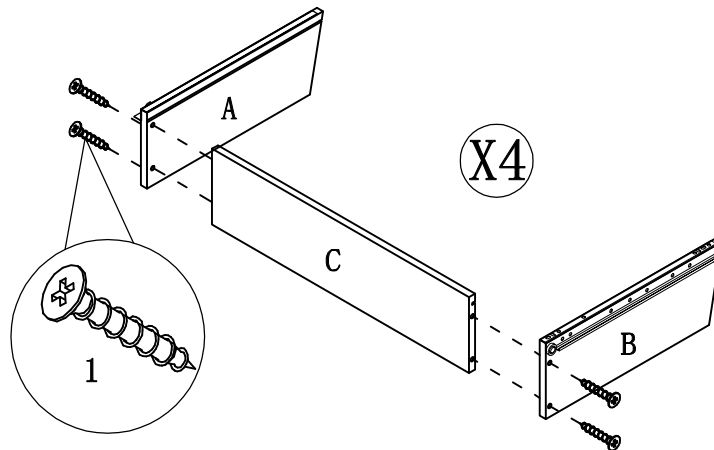
HARDWARE IDENTIFICATION

1	LARGE SCREW	φ4×30mm		16pcs
2	SMALL CAM BOLT	L20mm		16pcs
3	SMALL CAM LOCK	φ12mm		16pcs
4	HANDLE	64#		4pcs
5	DOOR-HANDLE SCREW	φ4×22mm		8pcs
6	DOWEL	φ8×25mm		19pcs
7	LARGE CAM BOLT	L29mm		7pcs
8	LARGE CAM LOCK	φ15mm		7pcs
9	NAIL			24pcs
10	CONNECTION IRON	170×24×3mm		2pcs
11	SHORT MACHINE SCREW	M6×12mm		8pcs
12	HAMMER BOLT	M6×55mm		6pcs
13	HAMMER NUT	φ10×15mm		6pcs
14	ALLEN WRENCH	M4mm		1pc
15	STICKER	φ22mm		18pcs
16	LARGE MACHINE SCREW	M6×25mm		8pcs
17	STICKER	φ13mm		6pcs
18	INTERNAL THREAD SCREW	M6mm		6pcs
19	LARGE FLAT HEADED SCREW	M6x20mm		6pcs
20	LARGEST SCREW	φ4×35mm		9pcs
21	WASHER	φ8xφ16x2mm		6pcs
22	THE RESTRAINT STRAP	197×5×1mm		1pc
23	BRACKET	12×12×1mm		2pcs
24	SMALL SCREW	φ4x25mm		1pc
25	WALL SCREW	φ5x40mm		1pc
26	PLASTIC ANCHOR	φ8x40mm		1pc
27	GLUE			1pc

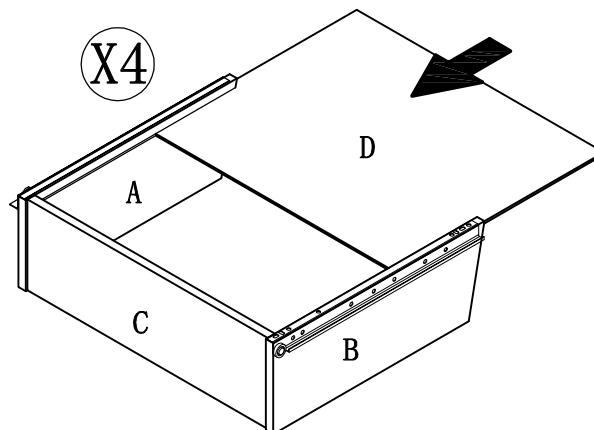
ITEM: 800319

ASSEMBLY INSTRUCTIONS

STEP 1



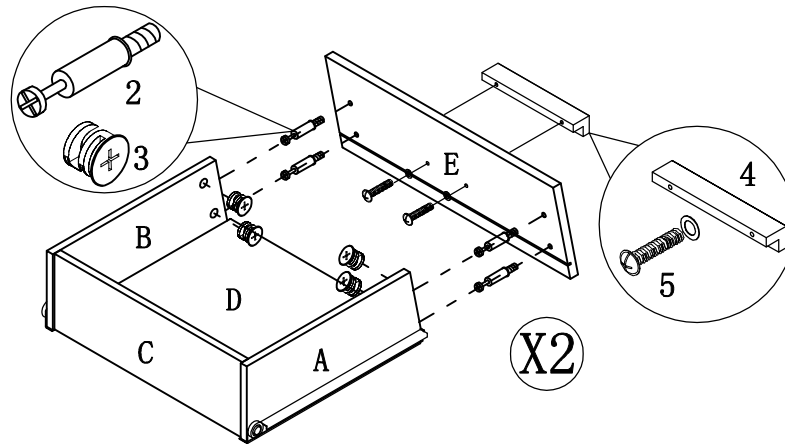
STEP 2



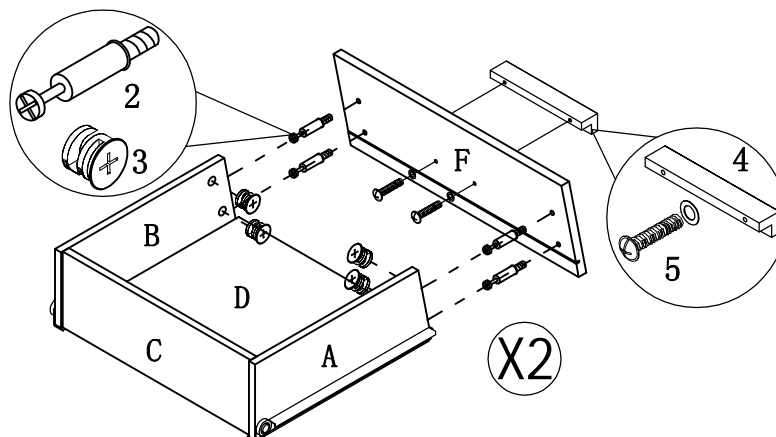
ITEM: 800319

ASSEMBLY INSTRUCTIONS

STEP 3



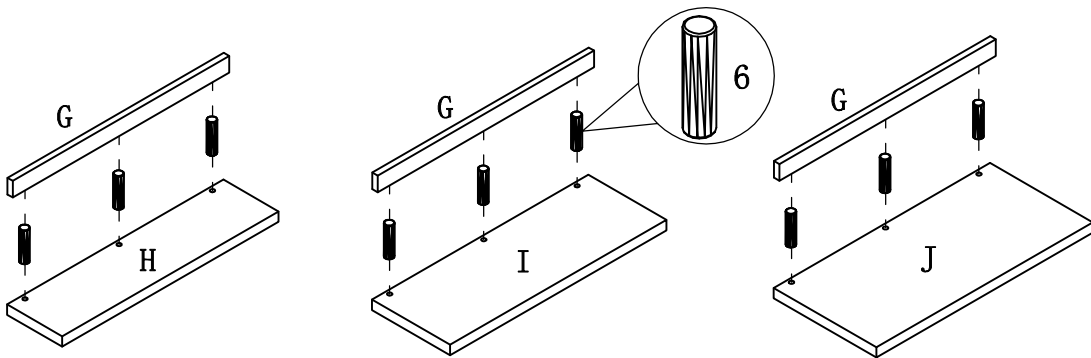
STEP 4



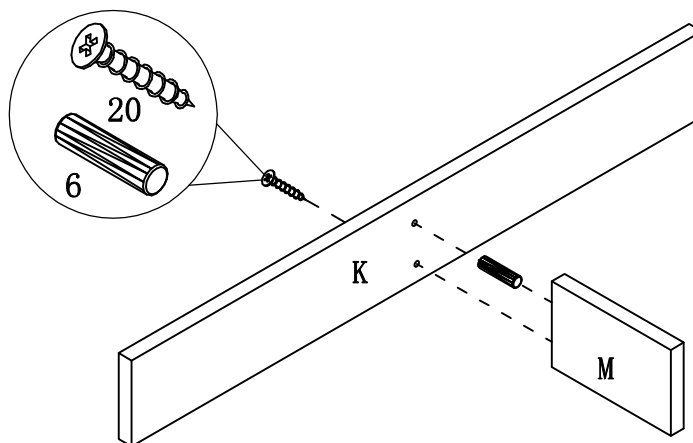
ITEM:800319

ASSEMBLY INSTRUCTIONS

STEP 5



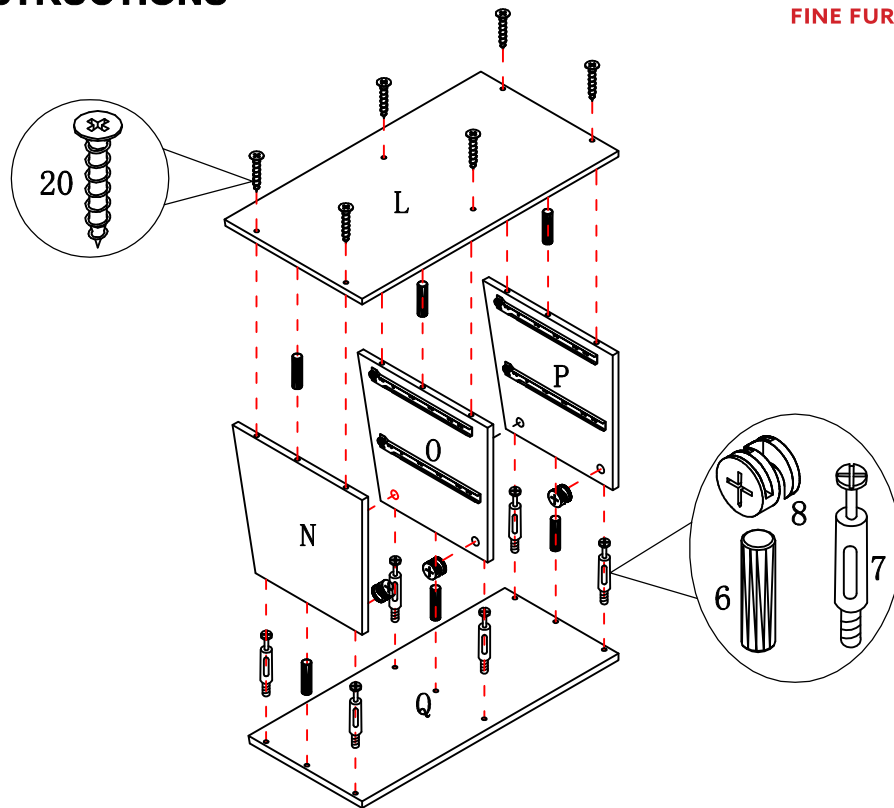
STEP 6



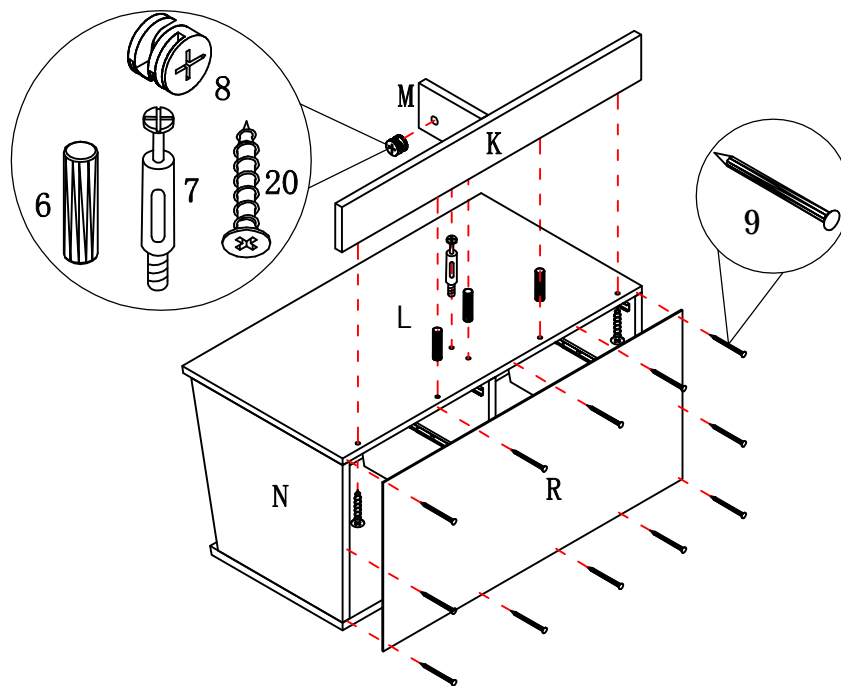
ITEM: 800319

ASSEMBLY INSTRUCTIONS

STEP 7



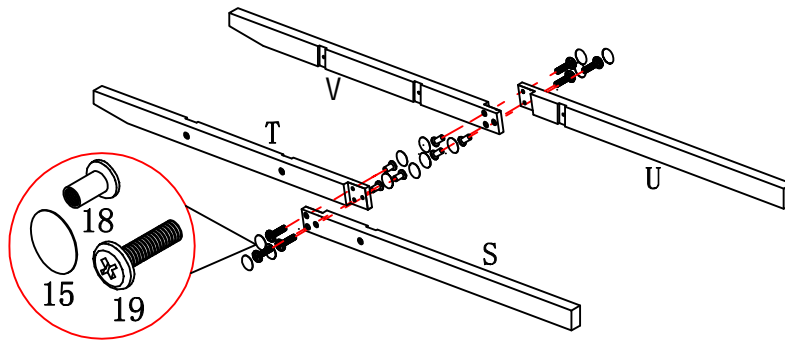
STEP 8



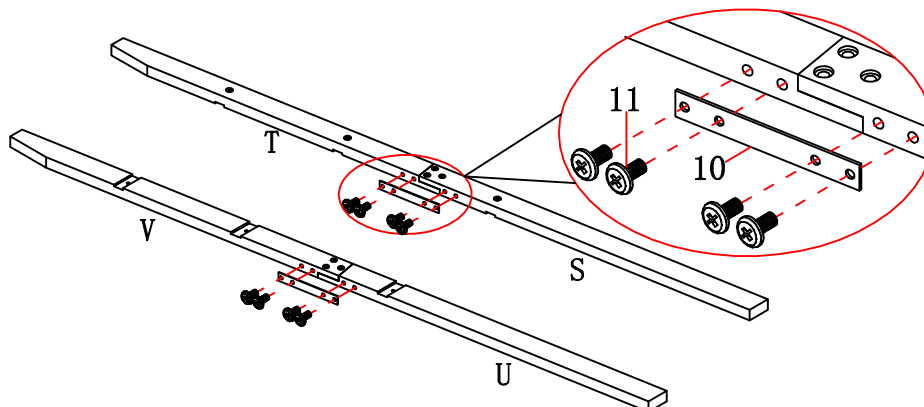
ITEM: 800319

ASSEMBLY INSTRUCTIONS

STEP 9



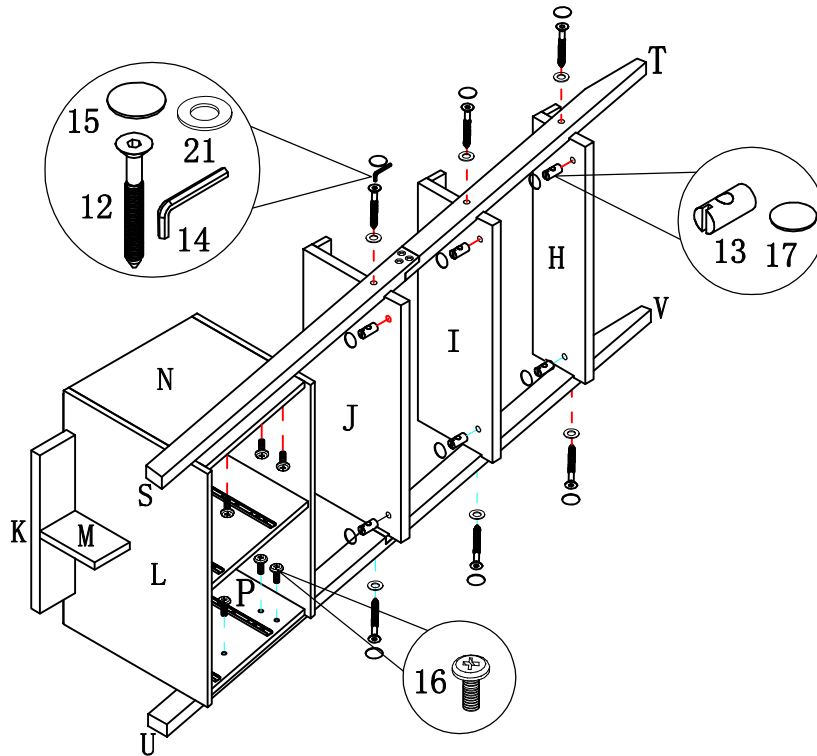
STEP 10



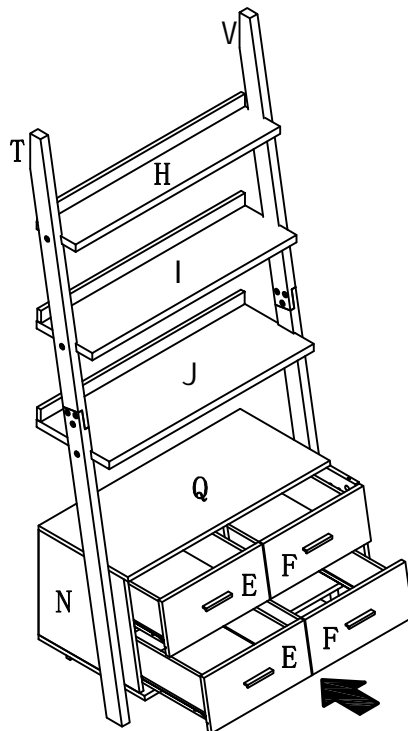
ITEM: 800319

ASSEMBLY INSTRUCTIONS

STEP 11

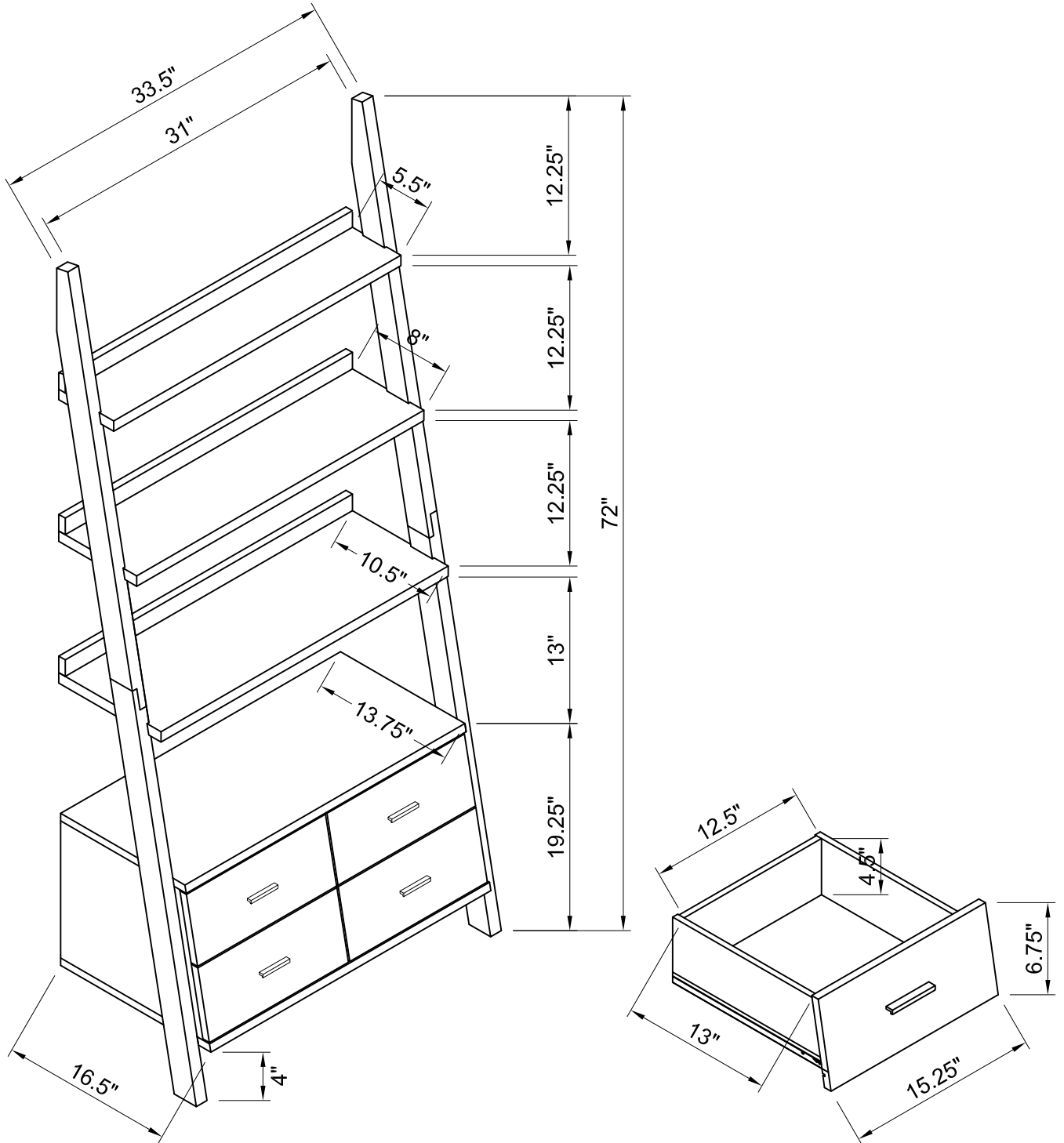


STEP 12



ITEM: **800319**

DIMENSION



ITEM:800319



ANTI-TIPPING INSTALLMENT INSTRUCTIONS

FURNITURE TIPPING RESTRAINT

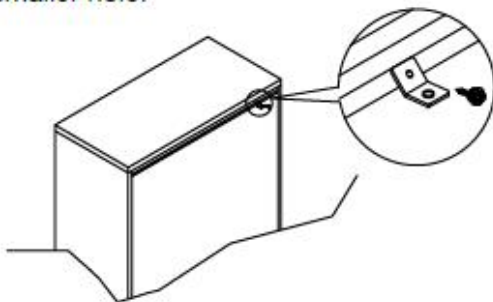
WARNING

Injury may result from tipping furniture.
This restraint may protect against tipping furniture.
Do not allow children to climb on furniture.
This restraint is not a substitute for proper adult supervision.
Failure to detach this restraint before moving the furniture may result in injury and damage.

This tip restraint must be attached to a wall stud using long screw enclosed.

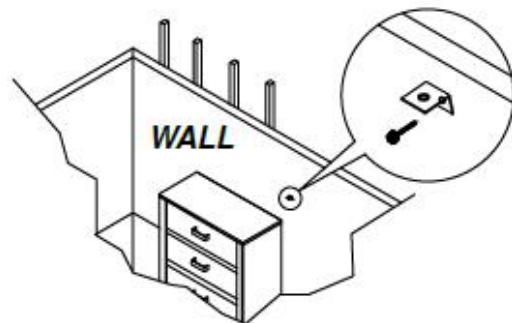
STEP 1

Attach a bracket securely to the back top rail to the furniture using short screw provided, through the smaller hole.



STEP 2

Locate the other bracket on the wall over a wall stud and two inches below the mounting bracket secured to the back of the furniture. Attach the wall stud using the long screw provided, through the smaller hole.



STEP 3

Place the furniture into position so both mounting brackets are vertically in line. Lace the end of the restraint strap through the larger hole in each mounting bracket. Bring both ends together and slide the flat end through the locking and draw it until all slack is removed. Confirm that the strap is securely laced and locked.

