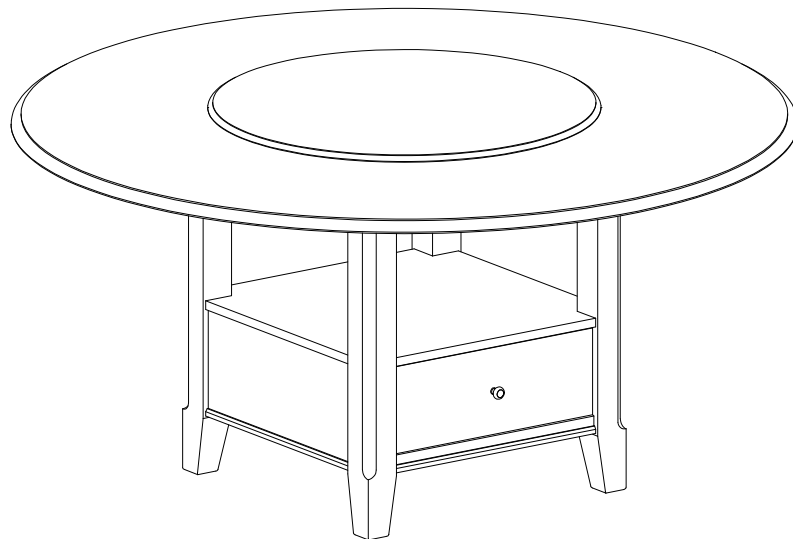




ASSEMBLY INSTRUCTIONS
COASTER FINE FURNITURE



Fine Furniture for every stage of life

115101(B1&B2)
Dining Table

ITEM: 115101(B1&B2)



ASSEMBLY INSTRUCTIONS

ASSEMBLY TIPS:

1. Remove hardware from box and sort by size.
2. Please check to see that all hardware and parts are present prior to start of assembly.
3. Please follow attached instructions in the same sequence as numbered to assure fast & easy assembly.



WARNING!

1. Don't attempt to repair or modify parts that are broken or defective. Please contact the store immediately.
2. This product is for home use only and not intended for commercial establishments.



ASSEMBLY TIME

15 MINUTES

PARTS IDENTIFICATION

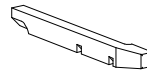
B1 (BOX 1)

A TOP



1PC

B LEG



4PCS

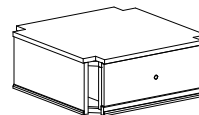
B2 (BOX 2)

C LAZY SUSAN



1PC

D BASE



1PC

HARDWARE IDENTIFICATION

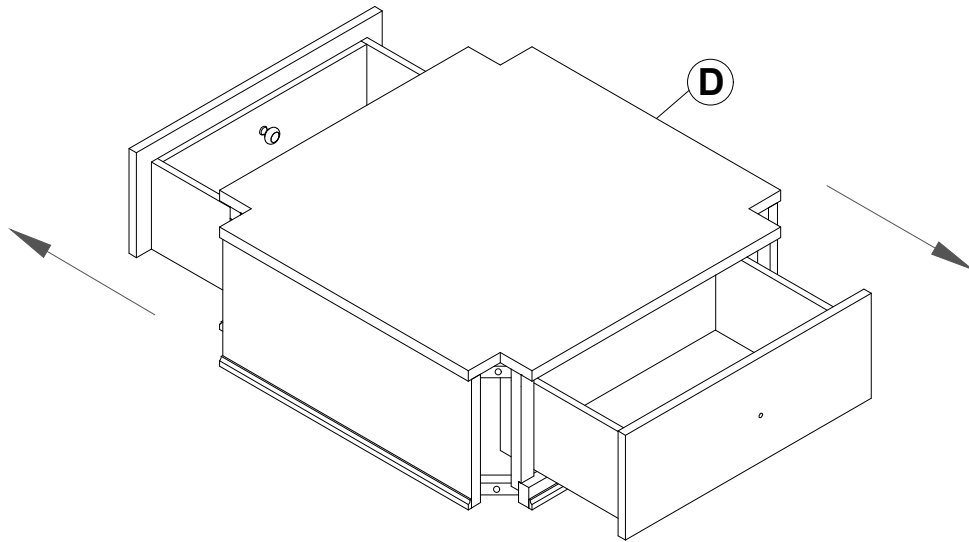
Z-B1(BOX 1) - HARDWARE PACK IS LOCATED IN 115101(B1)

- | | | | |
|---|--|--|-------|
| 1 | BOLT
(Ø5/16" x 2-1/4" - RBW) | | 16PCS |
| 2 | LOCK WASHER
(Ø5/16" - RBW) | | 16PCS |
| 3 | FLAT WASHER
(Ø5/16" - RBW) | | 16PCS |
| 4 | ALLEN WRENCH
(4MM - RBW) | | 1PC |

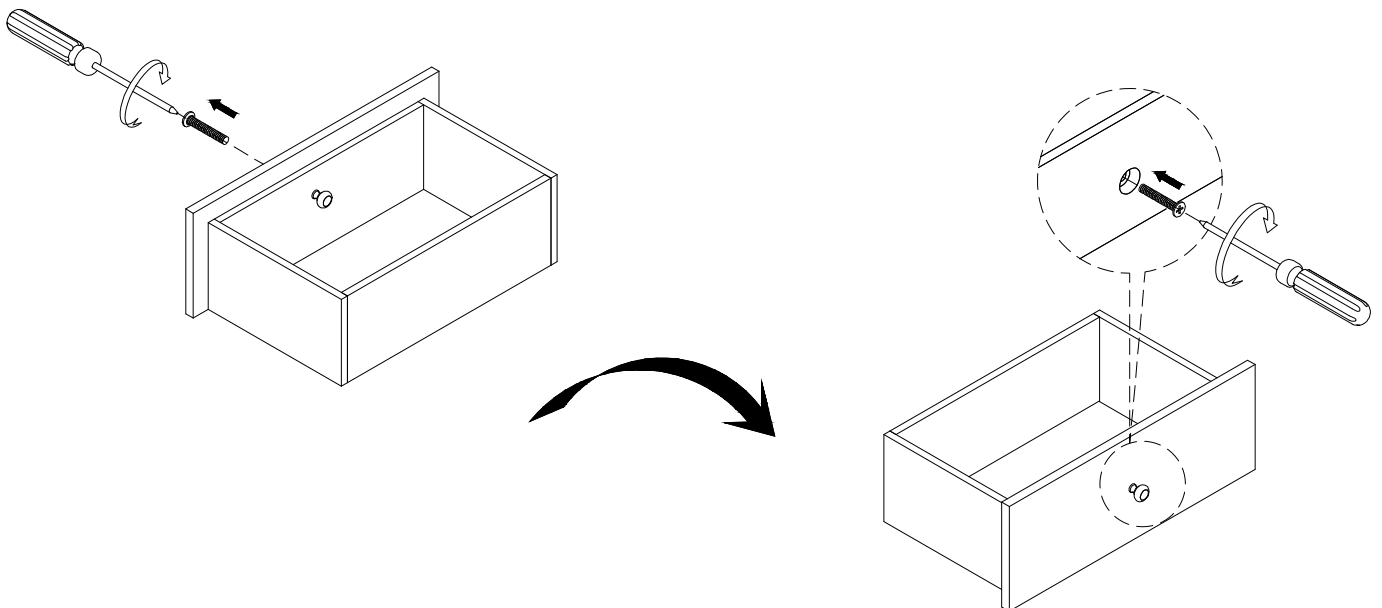
ITEM: **115101(B1&B2)**



ASSEMBLY INSTRUCTIONS
STEP 1



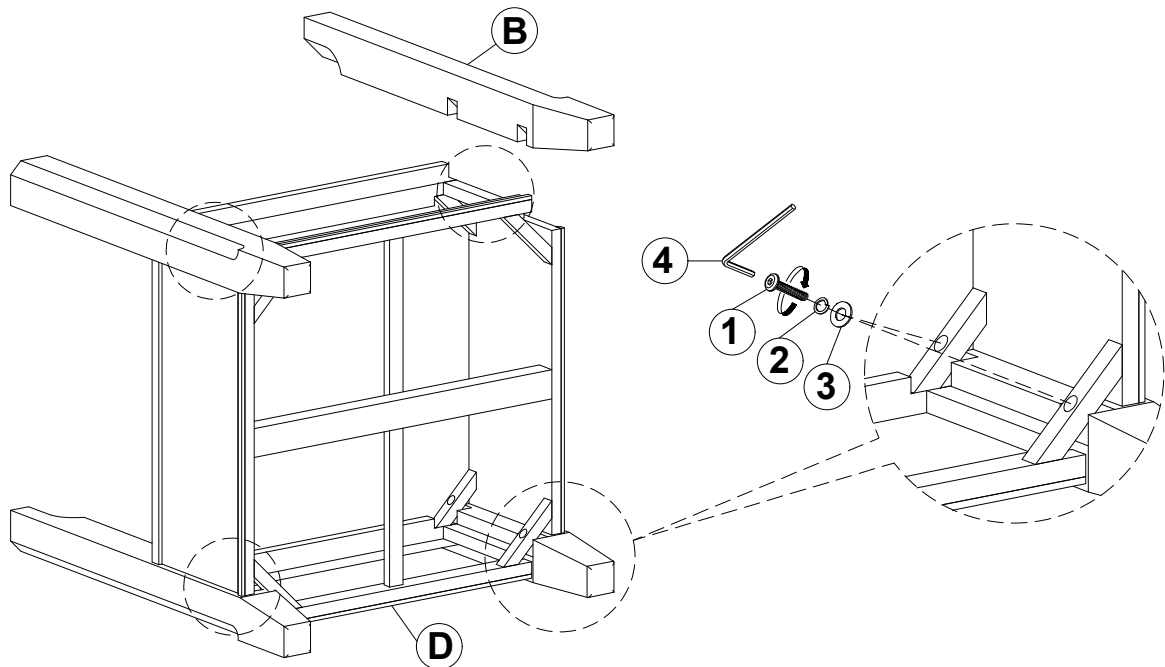
STEP 2



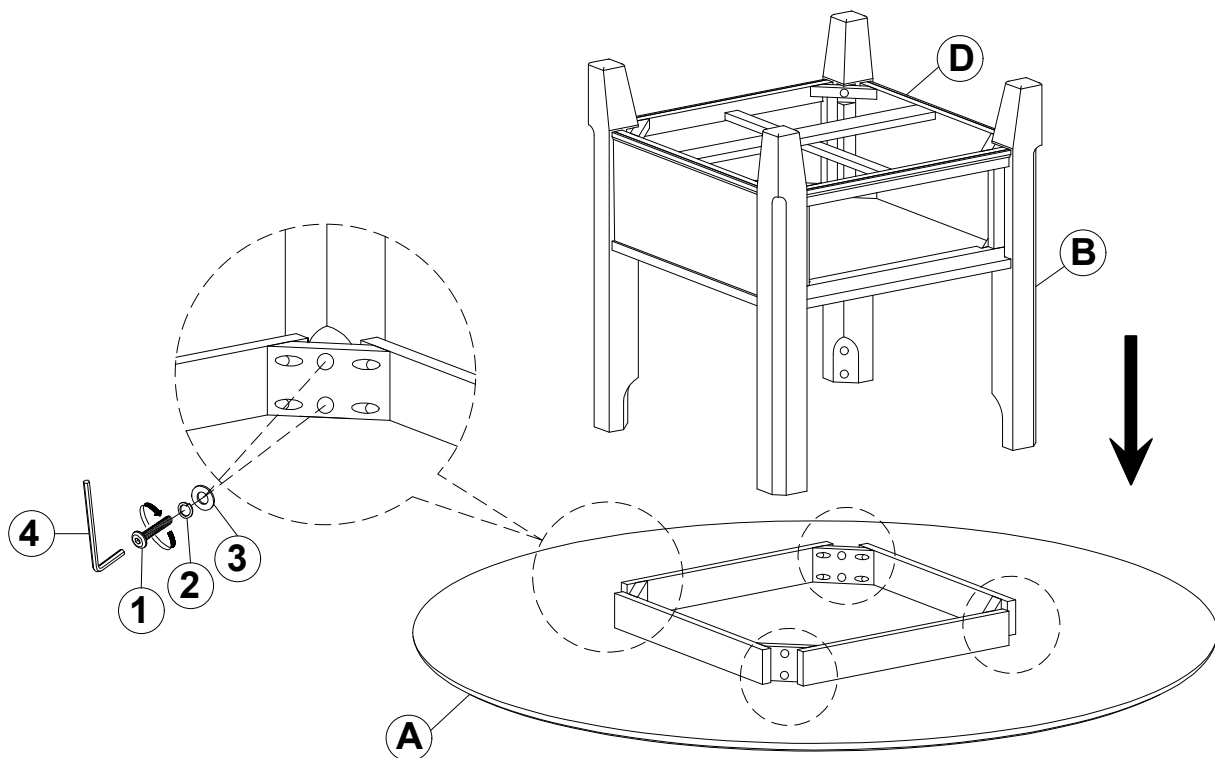
ITEM: **115101(B1&B2)**



ASSEMBLY INSTRUCTIONS
STEP 3



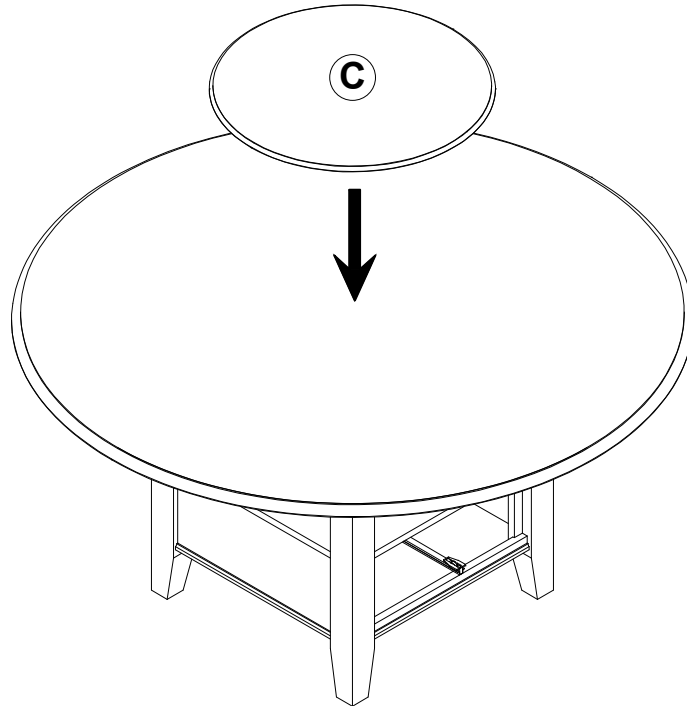
STEP 4



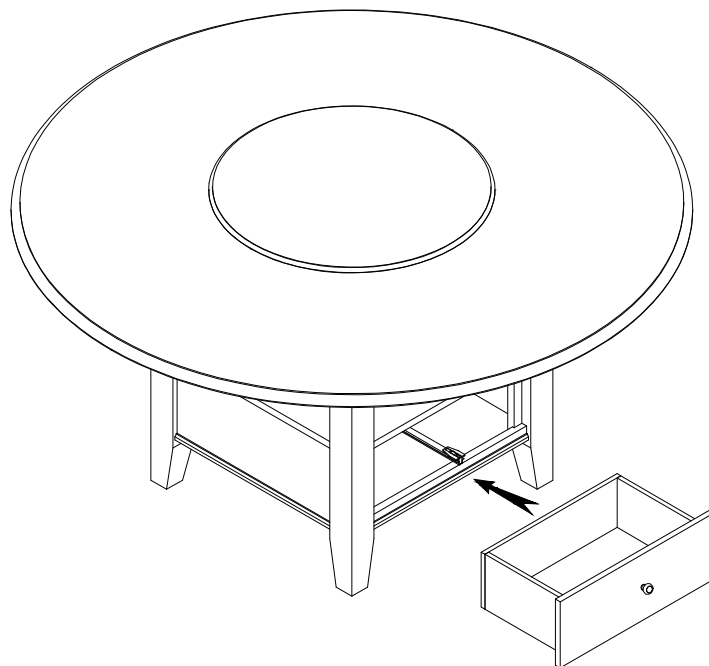
ITEM: **115101(B1&B2)**



ASSEMBLY INSTRUCTIONS
STEP 5



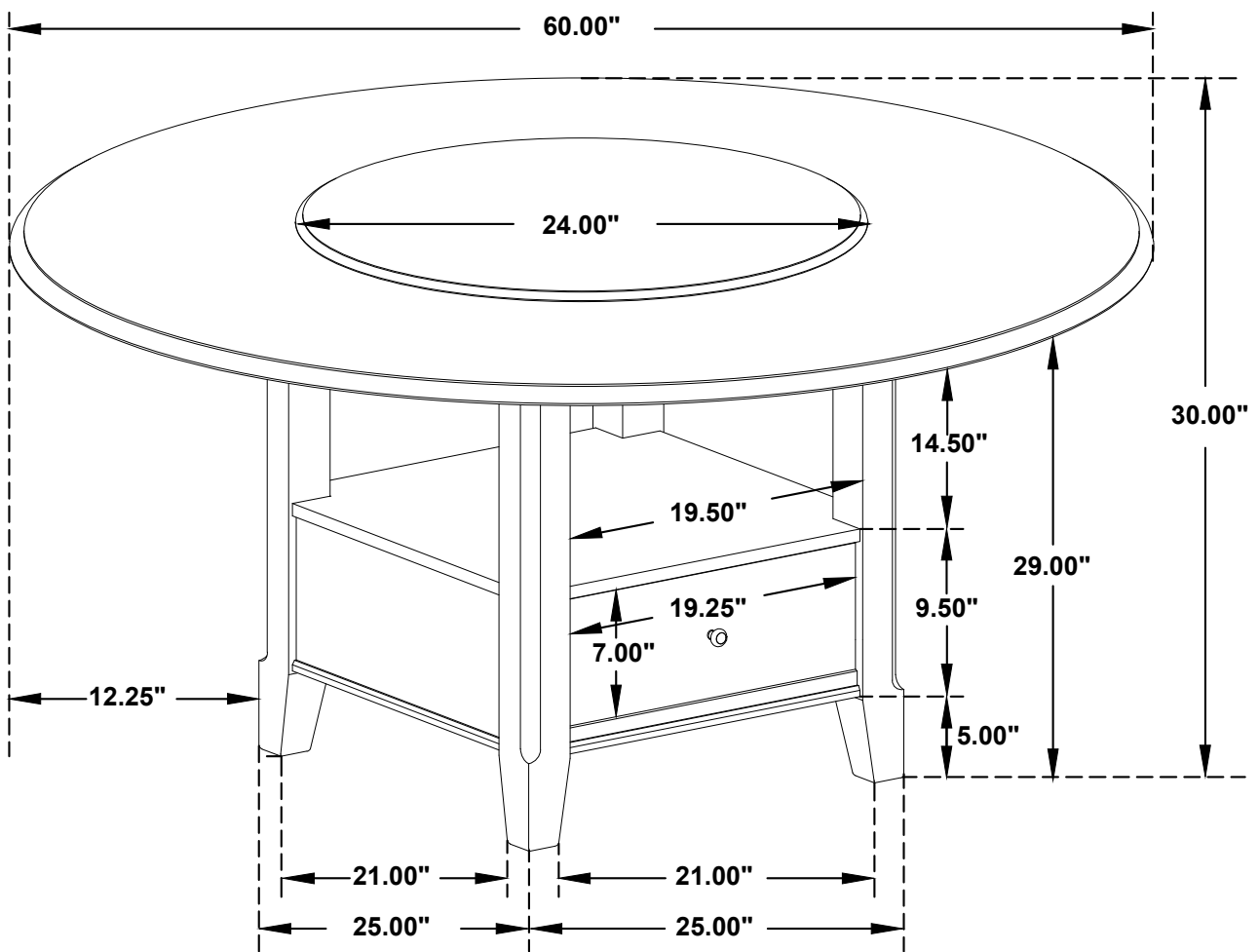
STEP 6
COMPLETE



ITEM: **115101(B1&B2)**



Inner Size of Drawer : 16.25"W X 9.75"D X 5.00"H X 0.25"T



Note: Dimension tolerance $\pm 5\%$