



*ASSEMBLY INSTRUCTIONS  
COASTER FINE FURNITURE*



Fine Furniture for every stage of life

REVISION 0 : 11/25/2017  
REVISION 1 : 06/17/2019  
REVISION 2 : 08/02/2022

**108020**  
**Dining Table**

ITEM: 108020



# ASSEMBLY INSTRUCTIONS

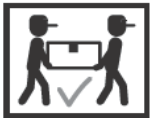
## ASSEMBLY TIPS:

1. Remove hardware from box and sort by size.
2. Please check to see that all hardware and parts are present prior start of assembly.
3. Please follow attached instructions in the same sequence as numbered to assure fast & easy assembly.



### WARNING!

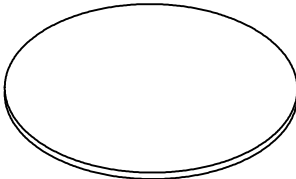
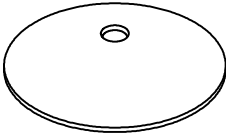
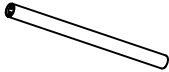
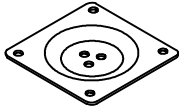
1. Don't attempt to repair or modify parts that are broken or defective .Please contact the store immediately.
2. This product is for home use only and not intended for commercial establishment.












ASSEMBLY TIME

15 MINUTES

## PARTS IDENTIFICATION

A TOP		1PC	C BOTTOM FRAME		1PC
B POST		1PC	D MOUNTING PLATE		1PC

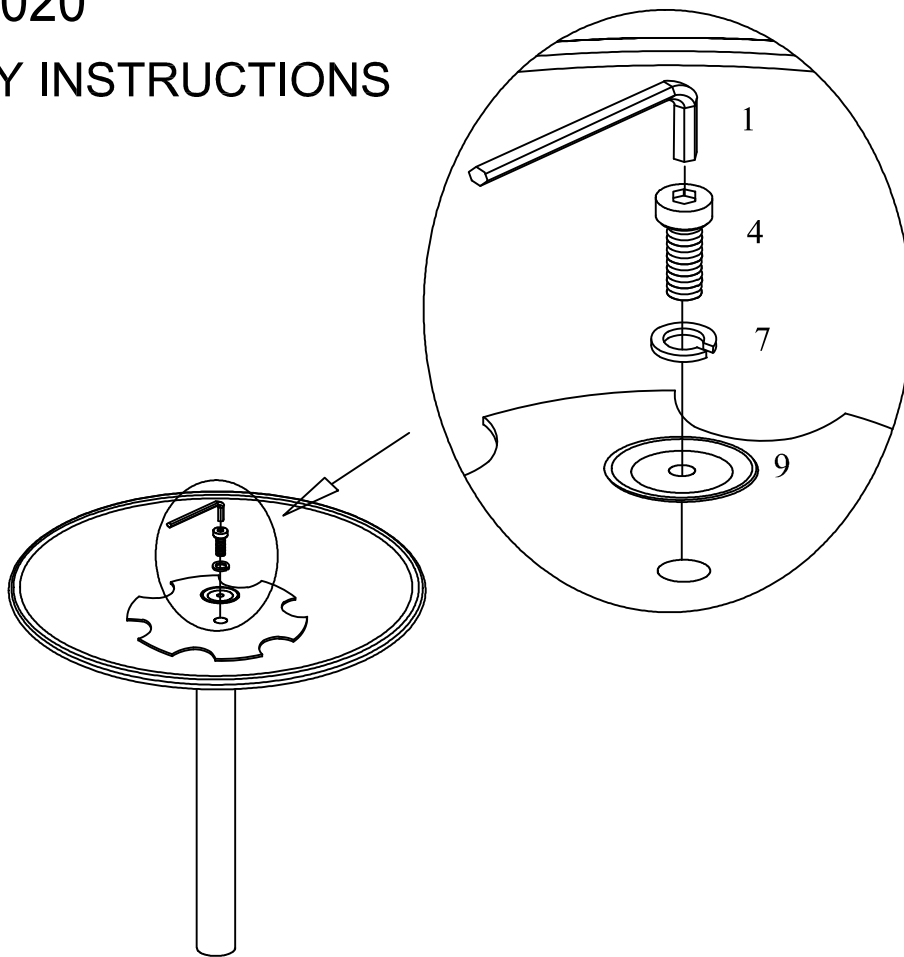
## HARDWARE IDENTIFICATION

Z	HARDWARE PACK		
1	ALLEN WRENCH M10		1PC
2	ALLEN WRENCH M6		1PC
3	ALLEN WRENCH M5		1PC
4	BOLT M12" *80MM		1PC
5	BOLT M8" *30MM		3PCS
6	BOLT Ø5/16" *15MM		4PCS
7	LOCK WASHER Ø17 *Ø 13		1PC
8	FLAT WASHER Ø17 *Ø8.3		7PCS
9	WASHER Ø5/16 *15MM		1PC

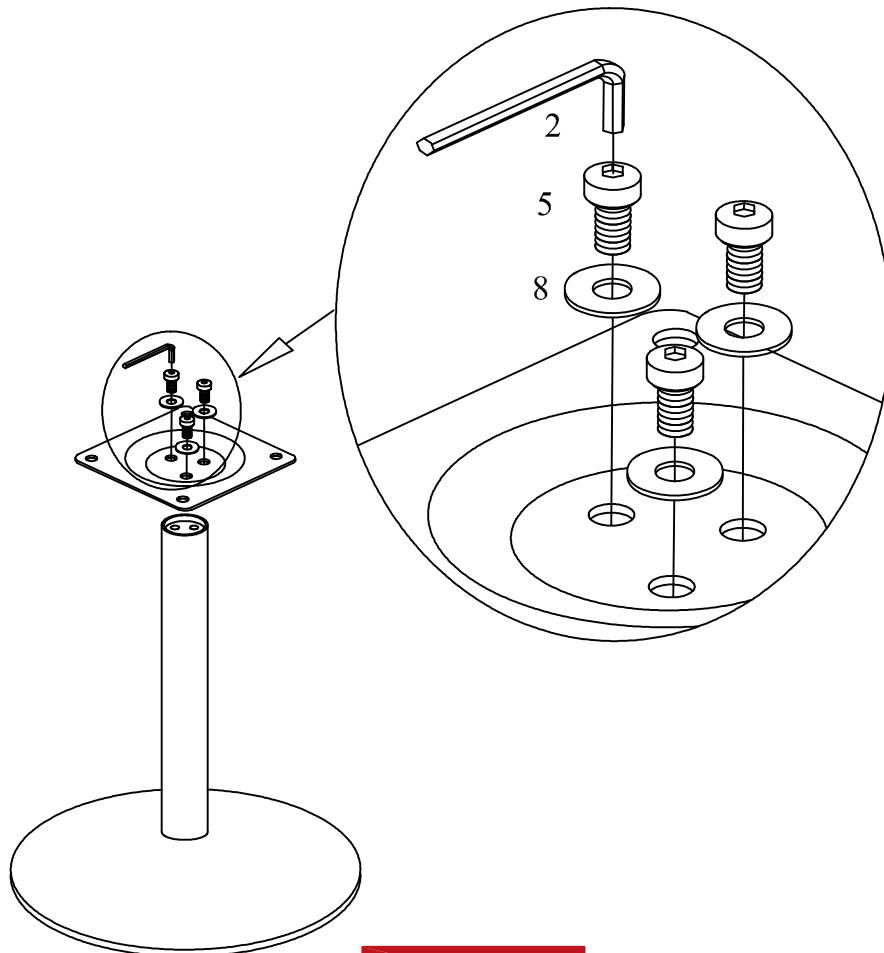
ITEM: 108020

# ASSEMBLY INSTRUCTIONS

## STEP 1



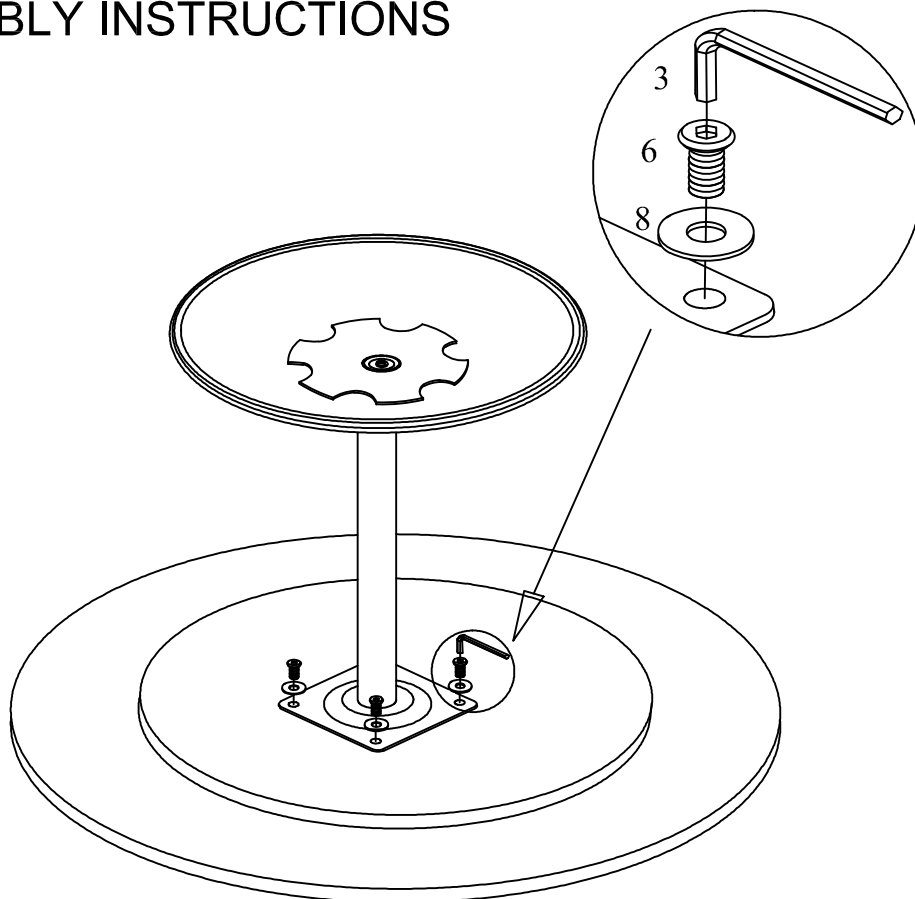
## STEP 2



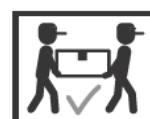
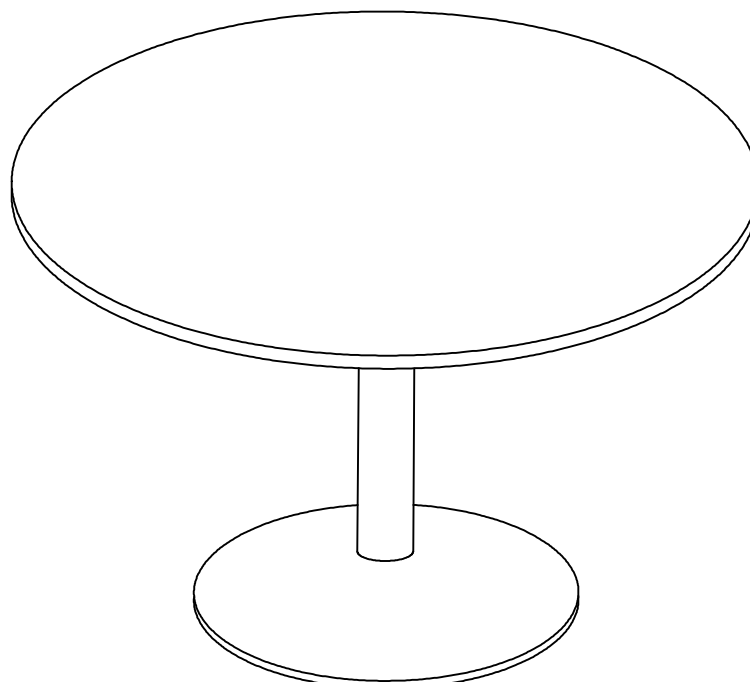
ITEM: 108020

# ASSEMBLY INSTRUCTIONS

## STEP 3

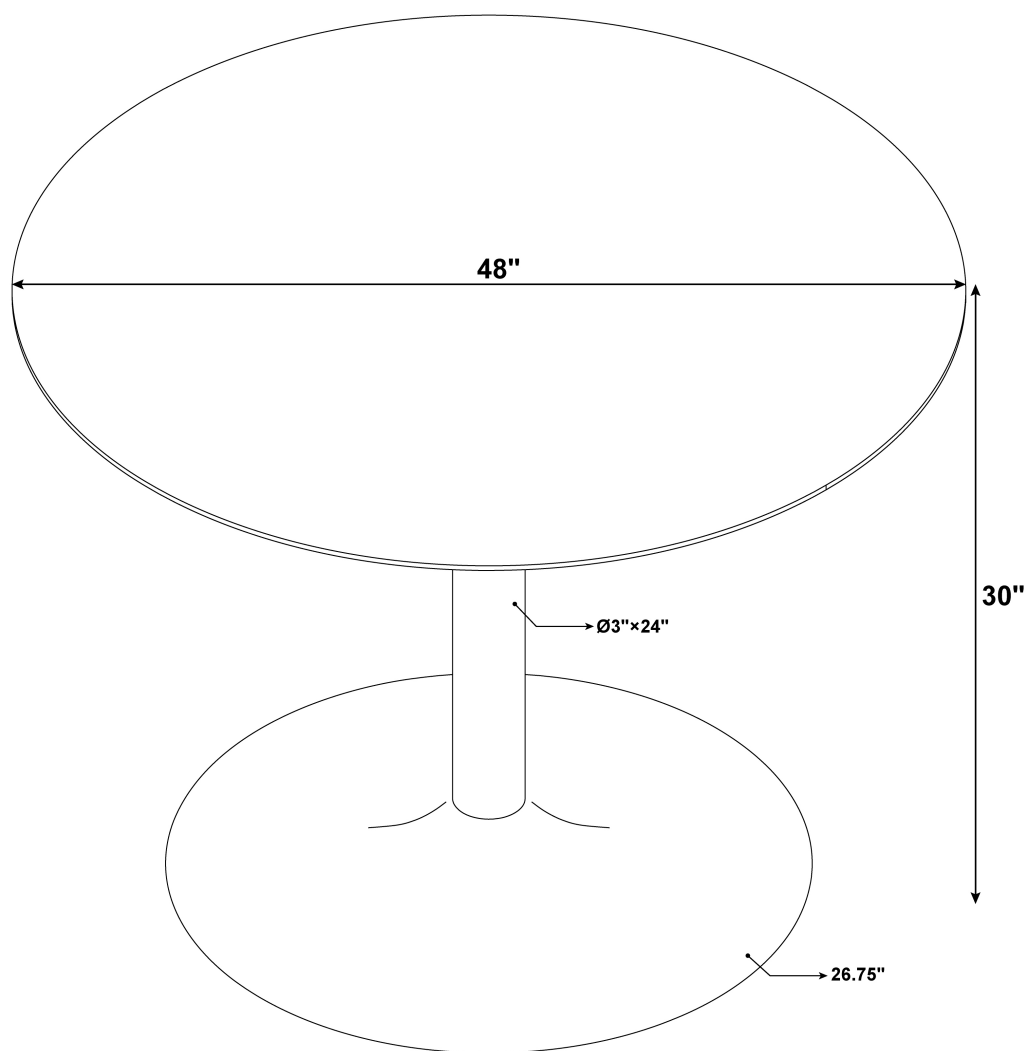


## STEP 4



ITEM: 108020

# ASSEMBLY INSTRUCTIONS



Note :Dimension tolerance  $\pm 5\%$

