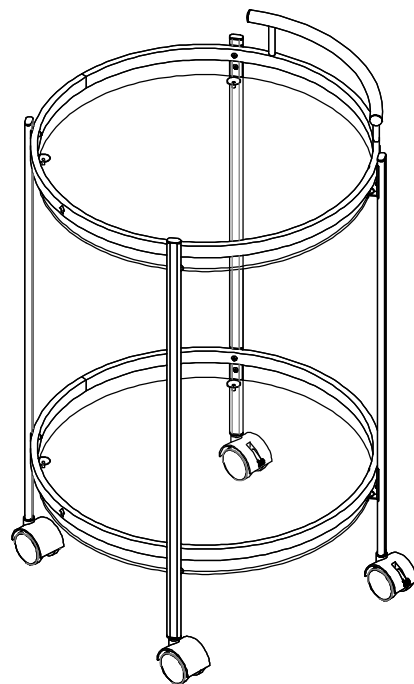


*ASSEMBLY INSTRUCTIONS*  
*COASTER FINE FURNITURE*



*Fine Furniture for every stage of life*

181366  
**SERVING CART**

ITEM:181366



# ASSEMBLY INSTRUCTIONS

## ASSEMBLY TIPS:

1. Remove hardware from box and sort by size.
2. Please check to see that all hardware and parts are present prior to start of assembly.
3. Please follow attached instructions in the same sequence as numbered to assure fast & easy assembly.



## WARNING!

1. Don't attempt to repair or modify parts that are broken or defective. Please contact the store immediately.
2. This product is for home use only and not intended for commercial establishments.



ASSEMBLY TIME 45 MINUTES

## PARTS IDENTIFICATION

A	GLASS		2PCS
B	TOP FRAME		1PC
C	BOTTOM FRAME		1PC
D	HANDLE		1PC
E	CROSSBAR		4PCS

ITEM:181366

# ASSEMBLY INSTRUCTIONS

## PARTS IDENTIFICATION



F

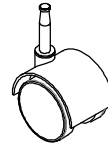
FRAME BRACKET



8PCS

G

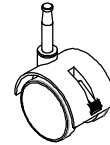
WHEEL



2PCS

H

WHEEL WITH LOCK



2PCS


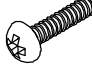

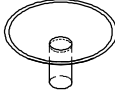


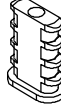
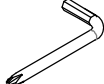
ITEM:181366

# ASSEMBLY INSTRUCTIONS



Z

## HARDWARE IDENTIFICATION

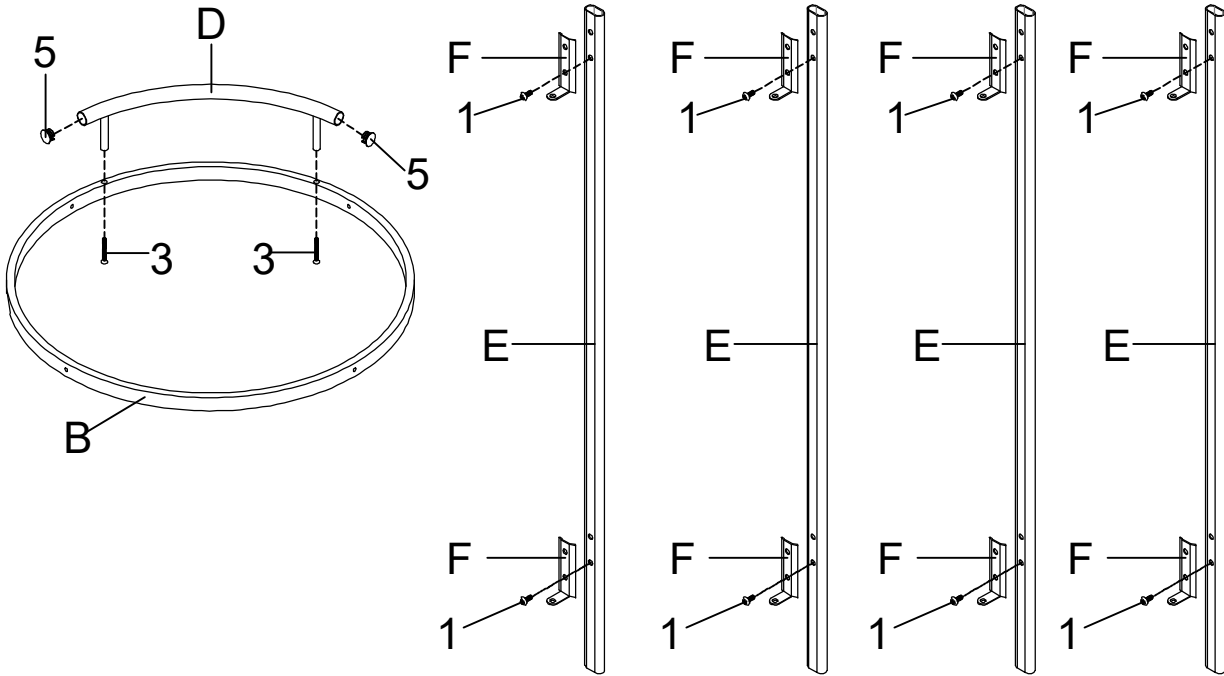
1	SHORT BOLT (3/16" x 9mm GD)		8PCS
2	MEDIUM BOLT (3/16" x 15mm GD)		8PCS
3	LONG BOLT (3/16" x 32mm GD)		2PCS
4	SUCTION CUP ( $\phi$ 19 x 9mm)		8PCS
5	ROUND CAP ( $\phi$ 18mm GD)		2PCS
6	CAP (10 x 20mm GD)		4PCS
7	WHEEL CAP (10 x 20mm BLK)		4PCS
8	ALLEN WRENCH (4mm)		1PC

ITEM:181366

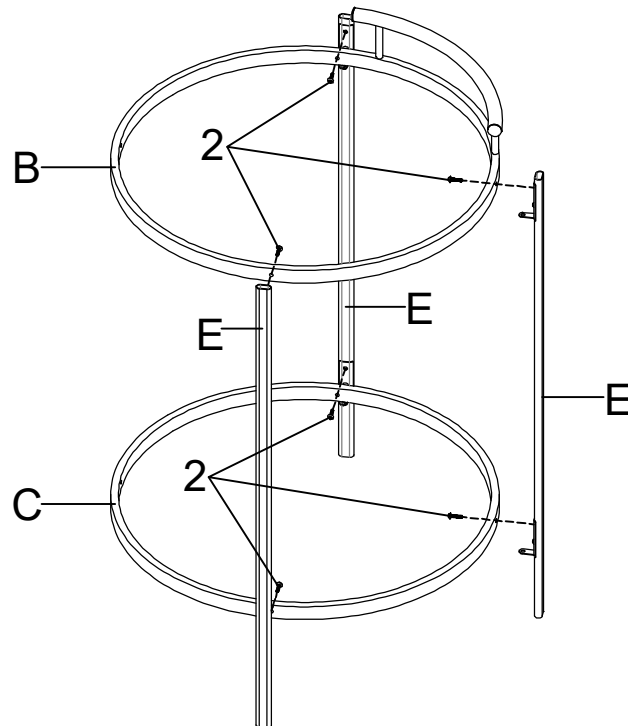


# ASSEMBLY INSTRUCTIONS

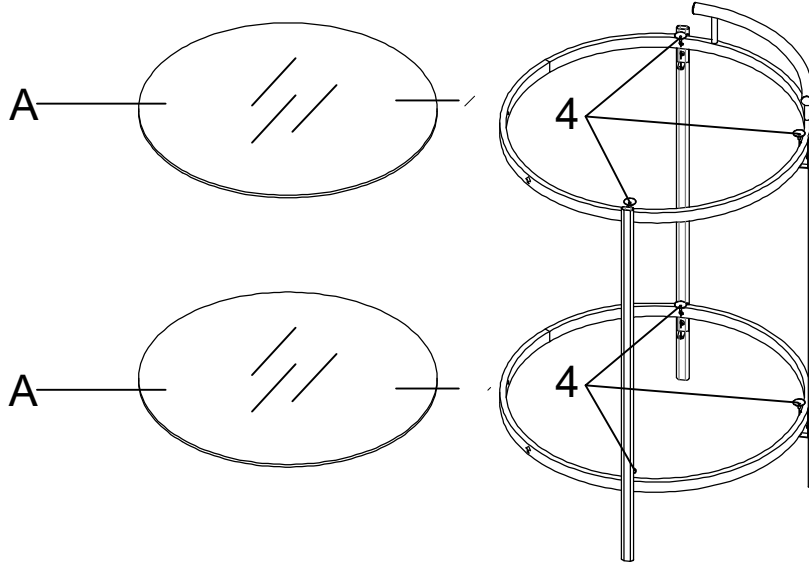
**STEP 1** Do not tighten until each step is completed or instructed.



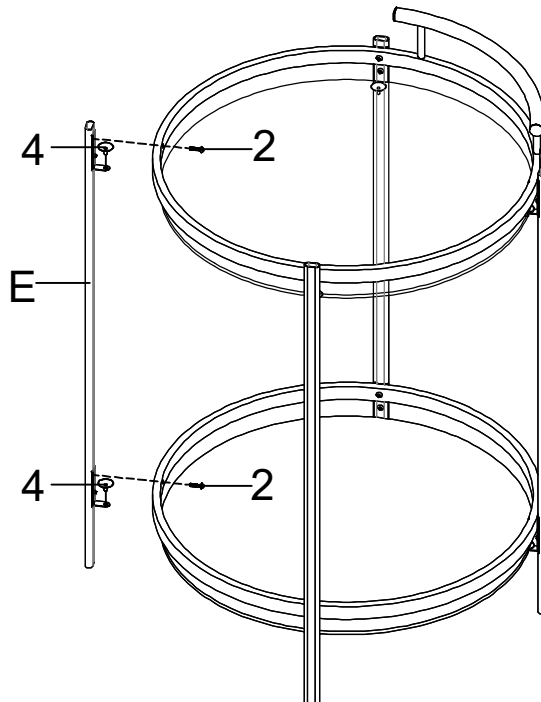
## STEP 2



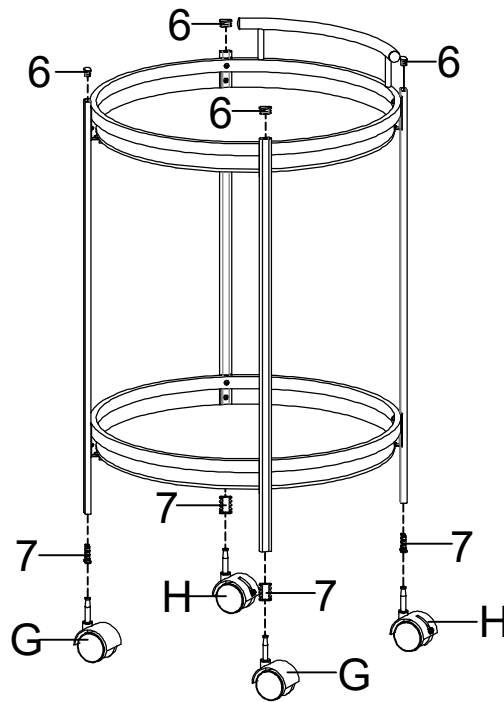
ITEM:181366  
ASSEMBLY INSTRUCTIONS  
STEP 3



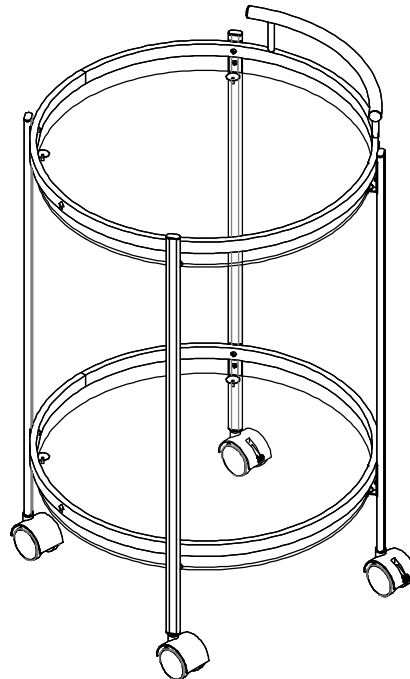
STEP 4



ITEM:181366  
ASSEMBLY INSTRUCTIONS  
STEP 5



STEP 6  
COMPLETE

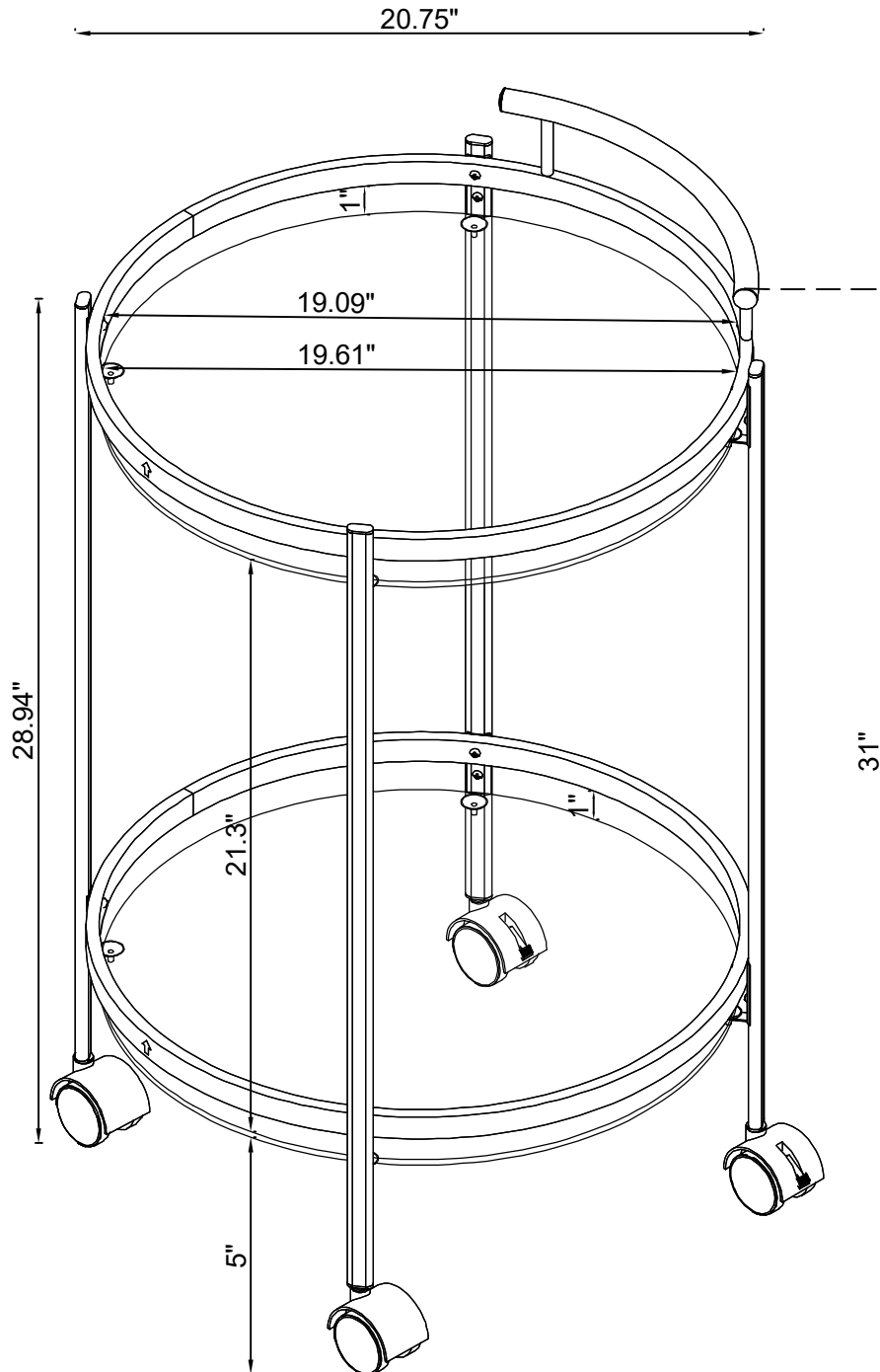


# ITEM:181366 ASSEMBLY INSTRUCTIONS



**Product Size : 527 DIA X 787 H (MM)**

**Product Size : 20.75" X 31"**



Note : Dimension tolerance  $\pm 5\%$