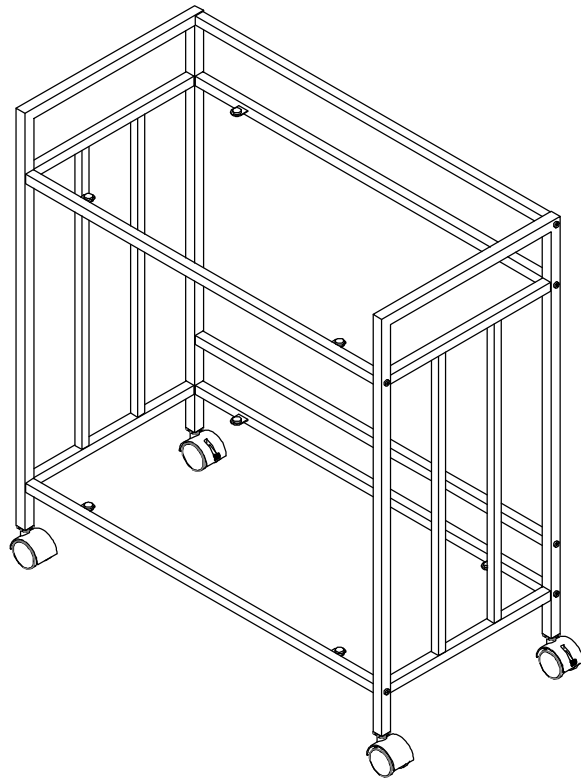


ASSEMBLY INSTRUCTIONS
COASTER FINE FURNITURE



Fine Furniture for every stage of life

181381
SERVING CART

ITEM:181381



ASSEMBLY INSTRUCTIONS

ASSEMBLY TIPS:

1. Remove hardware from box and sort by size.
2. Please check to see that all hardware and parts are present prior to start of assembly.
3. Please follow attached instructions in the same sequence as numbered to assure fast & easy assembly.



WARNING!

1. Don't attempt to repair or modify parts that are broken or defective. Please contact the store immediately.
2. This product is for home use only and not intended for commercial establishments.



ASSEMBLY TIME 45 MINUTES

PARTS IDENTIFICATION

A	GLASS		2PCS
B	SIDE FRAME		2PCS
C	CROSSBAR		4PCS
D	SUPPORT CROSSBAR		2PCS
E	WHEEL		2PCS

ITEM:181381

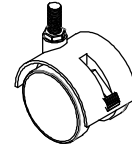
ASSEMBLY INSTRUCTIONS

PARTS IDENTIFICATION



F

WHEEL WITH LOCK



2PCS

Z

HARDWARE IDENTIFICATION

1

BOLT
(1/4" x 38mm GD)



12PCS

2

CAP
(20 x 20mm BLK)



4PCS

3

SUCTION CUP
(ϕ 12mm)



8PCS

4

ALLEN WRENCH
(4mm)



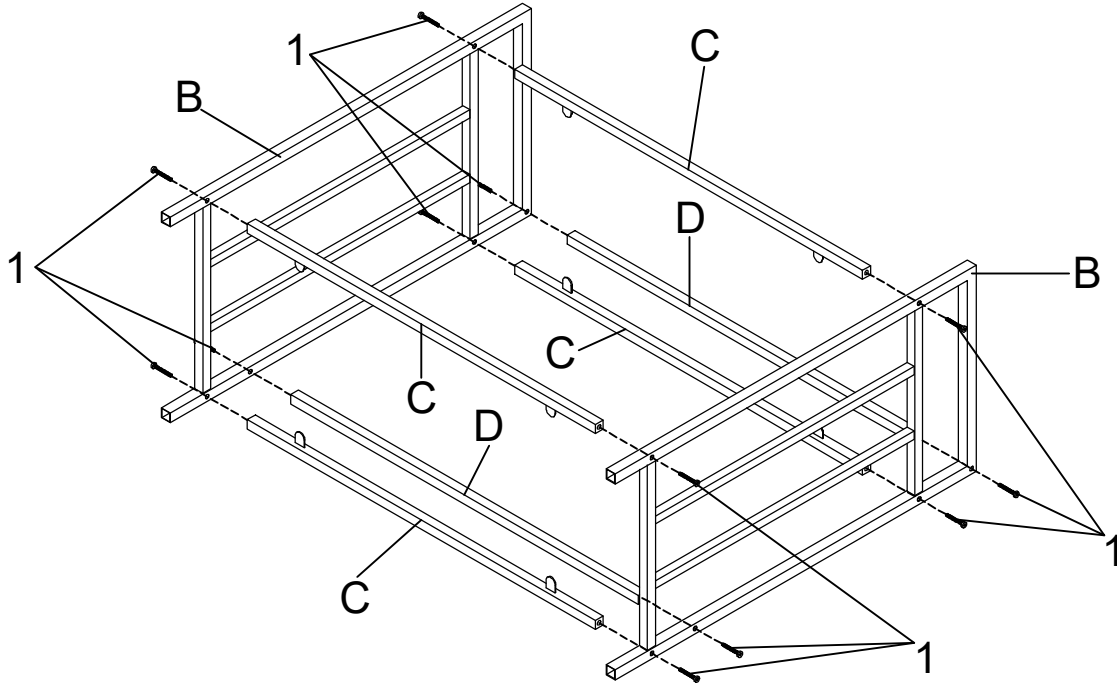
1PC

ITEM:181381

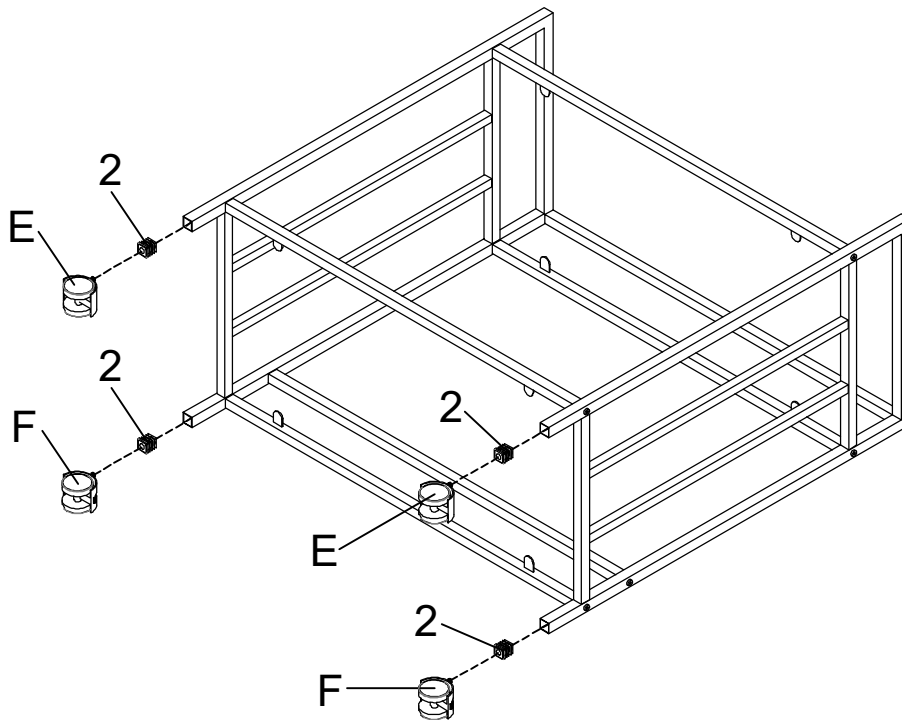


ASSEMBLY INSTRUCTIONS

STEP 1 Do not tighten until each step is completed or instructed.



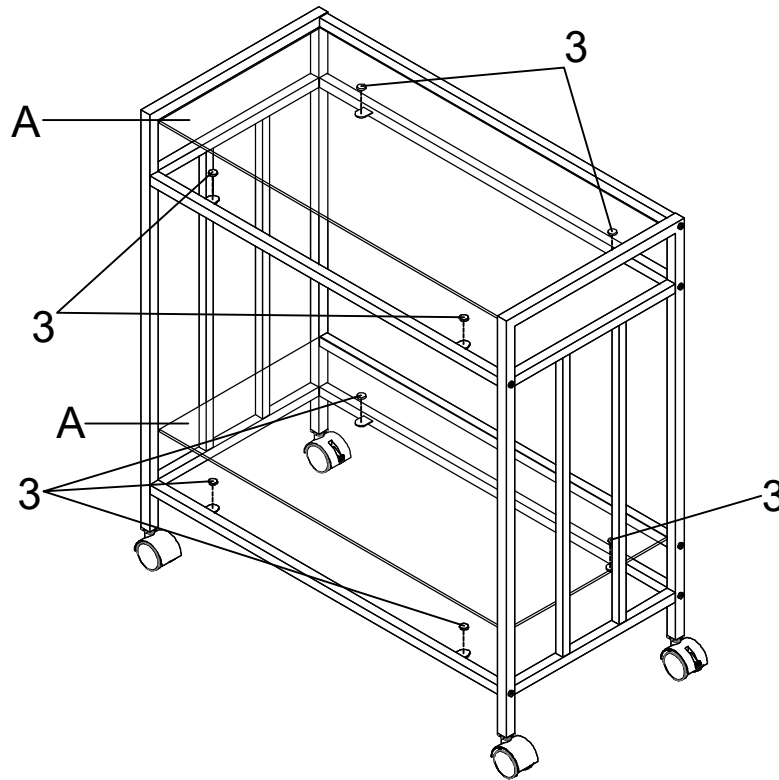
STEP 2



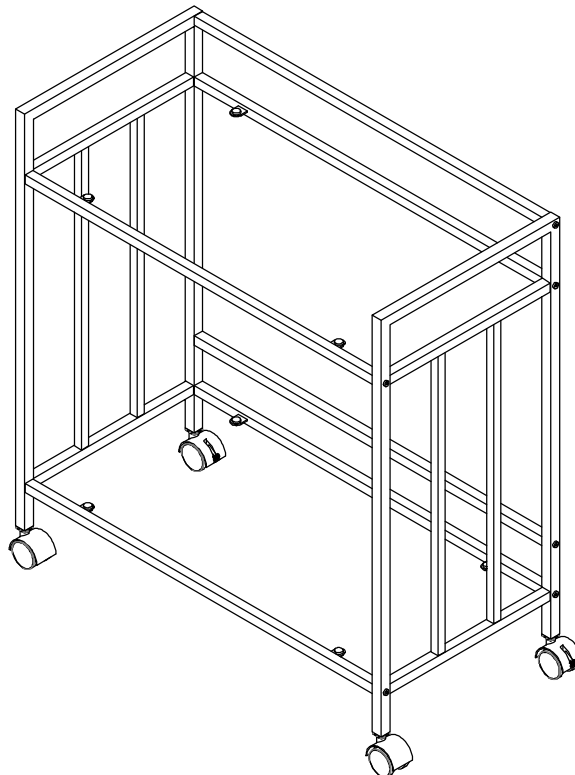
ITEM:181381

ASSEMBLY INSTRUCTIONS

STEP 3



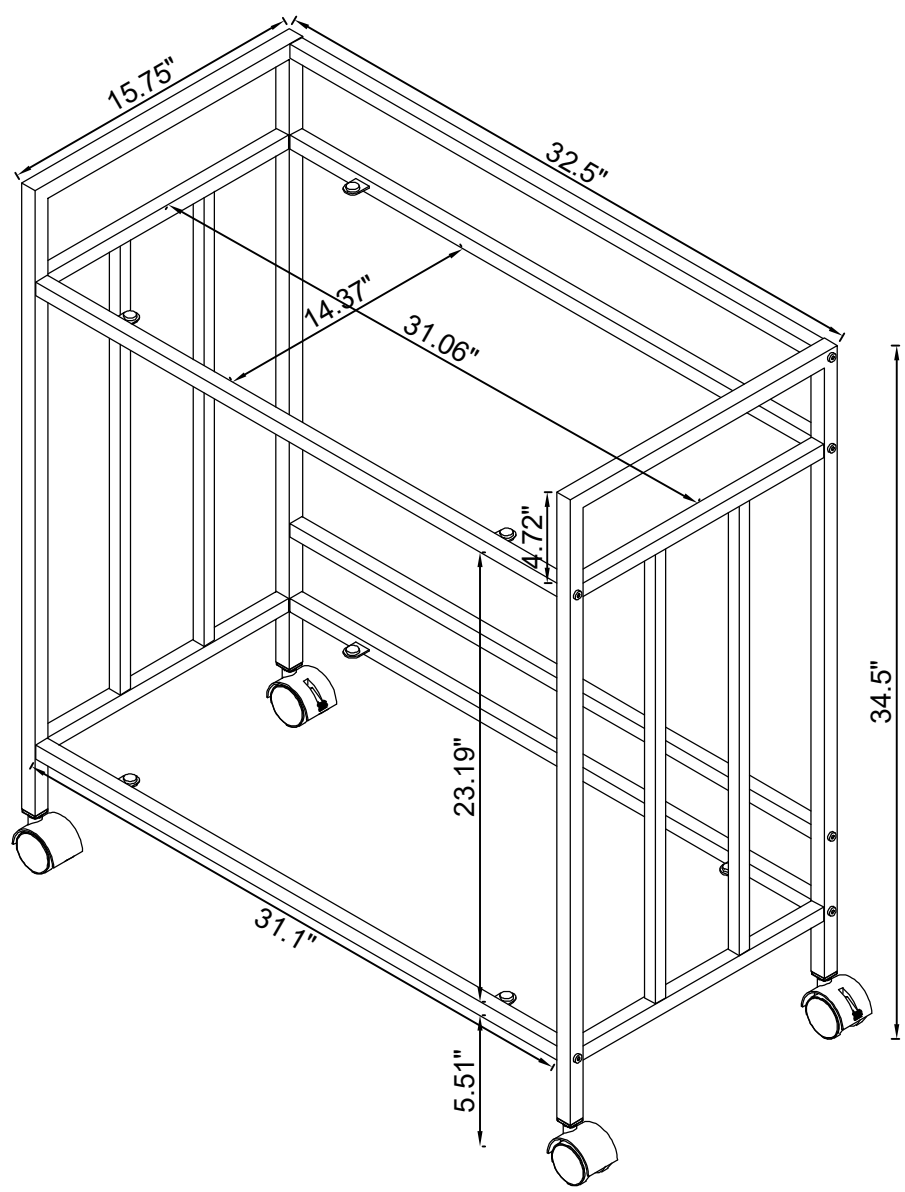
STEP 4 COMPLETE



ITEM:181381 ASSEMBLY INSTRUCTIONS



Product Size : 826 X 400 X 876 H (MM)
Product Size : 32.5" X 15.75" X 34.5"



Note : Dimension tolerance $\pm 5\%$