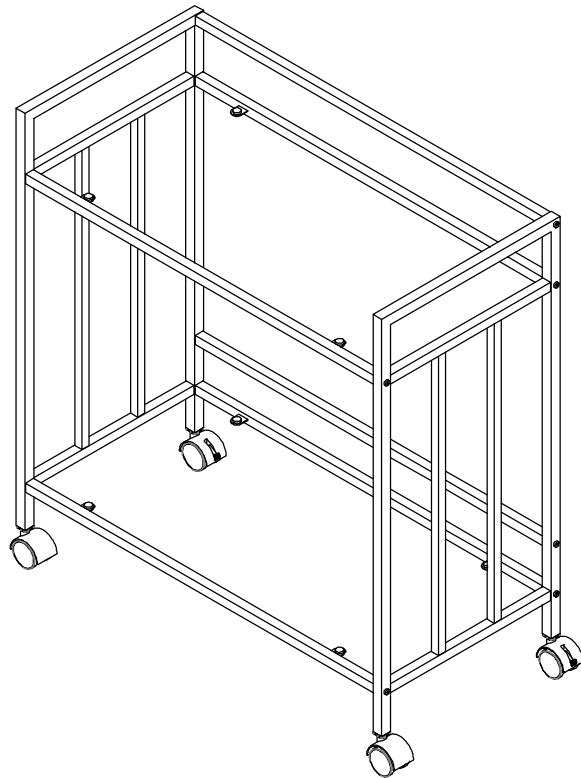


*ASSEMBLY INSTRUCTIONS*  
*COASTER FINE FURNITURE*



*Fine Furniture for every stage of life*

**181382**  
***SERVING CART***

ITEM:181382



# ASSEMBLY INSTRUCTIONS

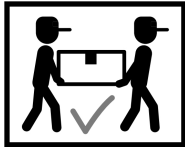
## ASSEMBLY TIPS:

1. Remove hardware from box and sort by size.
2. Please check to see that all hardware and parts are present prior to start of assembly.
3. Please follow attached instructions in the same sequence as numbered to assure fast & easy assembly.



## WARNING!

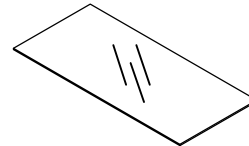
1. Don't attempt to repair or modify parts that are broken or defective. Please contact the store immediately.
2. This product is for home use only and not intended for commercial establishments.



ASSEMBLY TIME 45 MINUTES

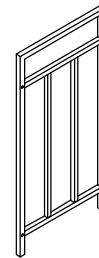
## PARTS IDENTIFICATION

A GLASS



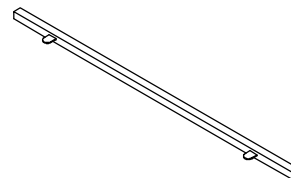
2PCS

B SIDE FRAME



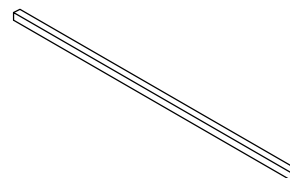
2PCS

C CROSSBAR



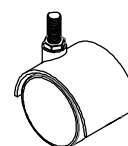
4PCS

D SUPPORT CROSSBAR



2PCS

E WHEEL



2PCS

ITEM:181382

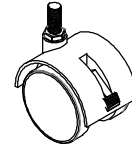
# ASSEMBLY INSTRUCTIONS

## PARTS IDENTIFICATION



F

WHEEL WITH LOCK



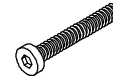
2PCS

Z

## HARDWARE IDENTIFICATION

1

BOLT  
(1/4" x 38mm SR)



12PCS

2

CAP  
(20 x 20mm BLK)



4PCS

3

SUCTION CUP  
( $\phi$ 12mm)



8PCS

4

ALLEN WRENCH  
(4mm)



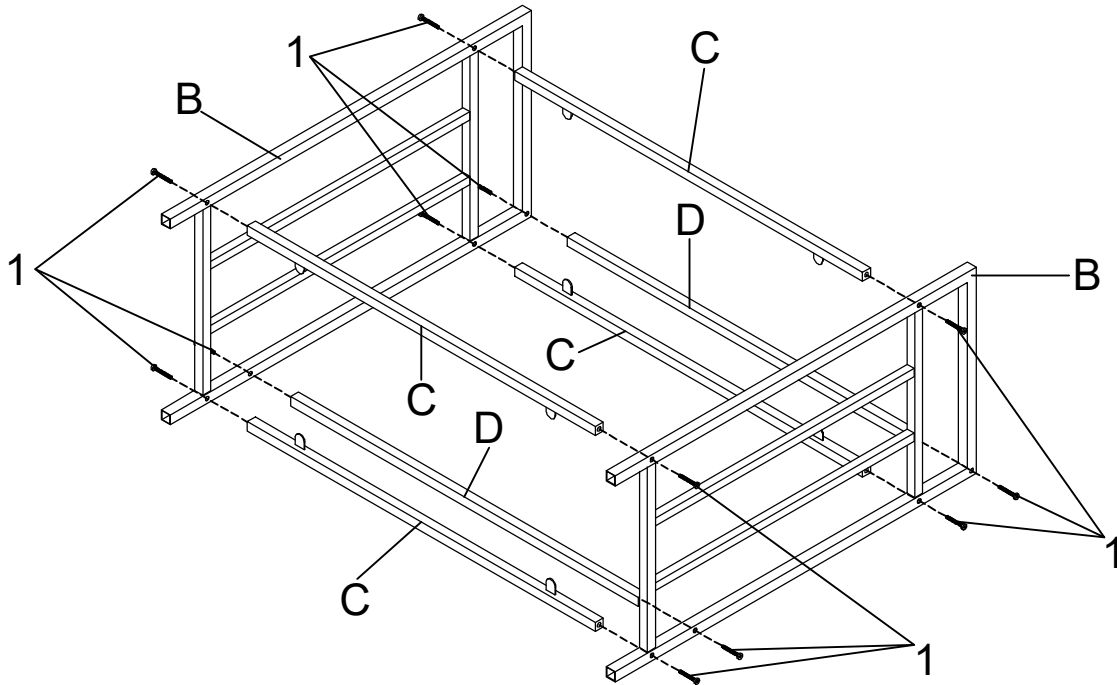
1PC

ITEM:181382

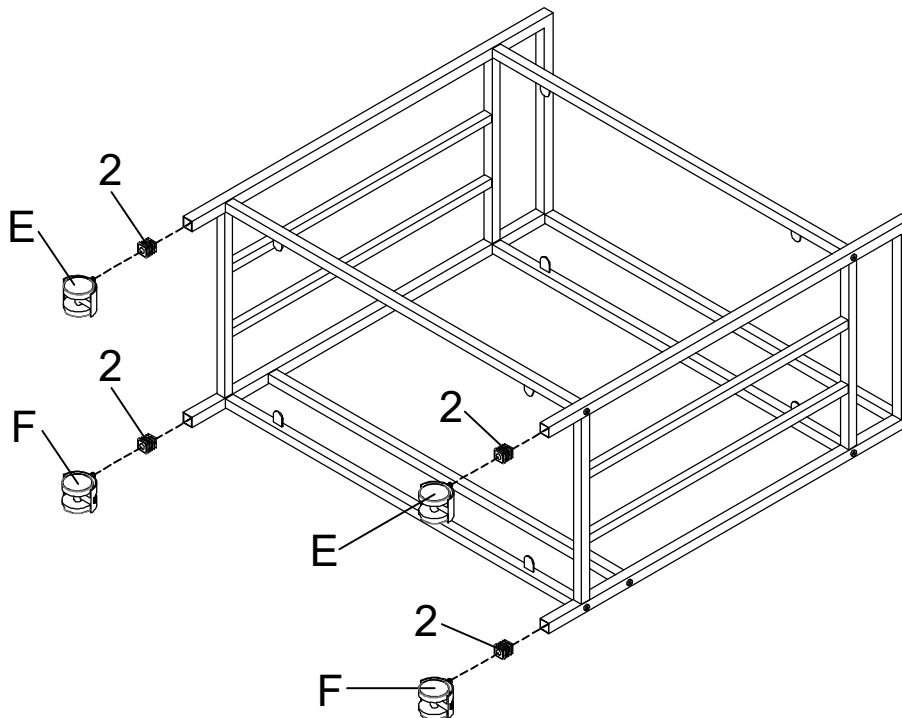


# ASSEMBLY INSTRUCTIONS

**STEP 1** Do not tighten until each step is completed or instructed.



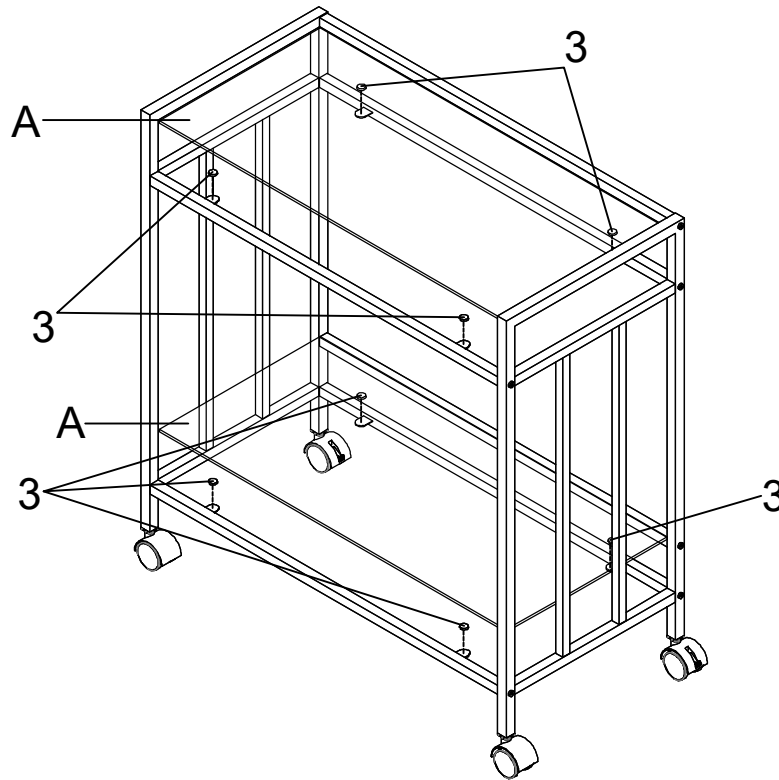
## STEP 2



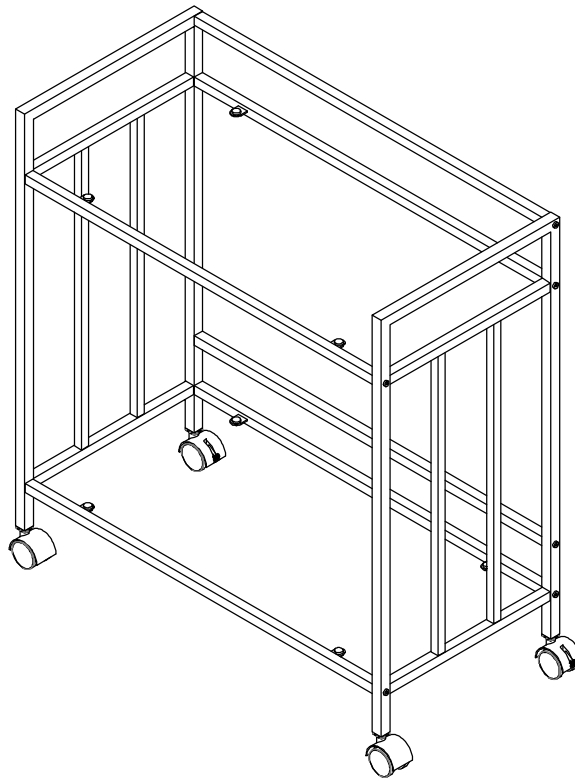
ITEM:181382

# ASSEMBLY INSTRUCTIONS

## STEP 3



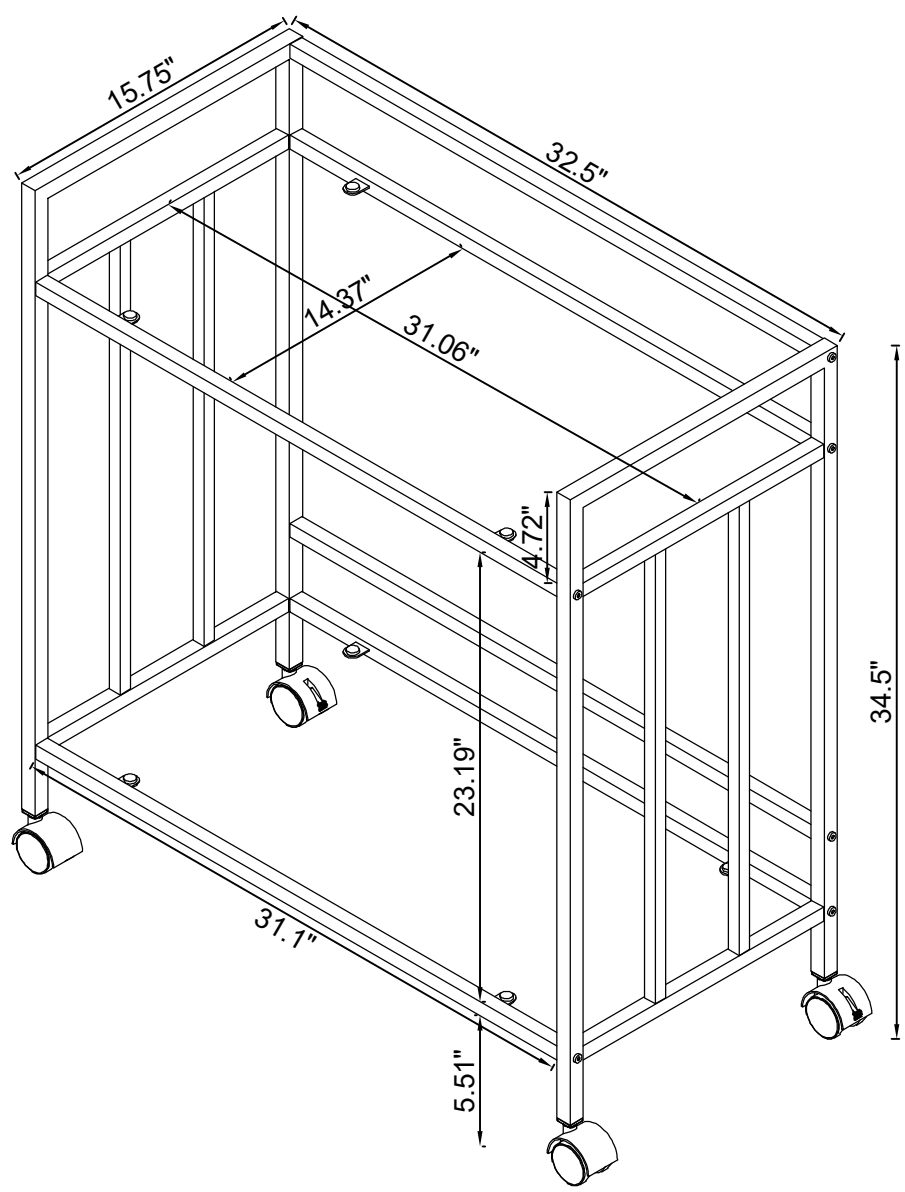
## STEP 4 COMPLETE



# ITEM:181382 ASSEMBLY INSTRUCTIONS



<b>Product Size : 826 X 400 X 876 H (MM)</b>
<b>Product Size : 32.5" X 15.75" X 34.5"</b>



Note : Dimension tolerance  $\pm 5\%$