



ASSEMBLY INSTRUCTIONS COASTER FINE FURNITURE



Fine Furniture for every stage of life

192061 Dining Table

REVISION 0 : 06/17/2019
REVISION 1 : 04/06/2020
REVISION 2 : 08/02/2022

ITEM: 192061



ASSEMBLY INSTRUCTIONS

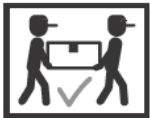
ASSEMBLY TIPS:

1. Remove hardware from box and sort by size.
2. Please check to see that all hardware and parts are present prior start of assembly.
3. Please follow attached instructions in the same sequence as numbered to assure fast & easy assembly.



WARNING!

1. Don't attempt to repair or modify parts that are broken or defective .Please contact the store immediately.
2. This product is for home use only and not intended for commercial establishment.



ASSEMBLY TIME

15 MINUTES

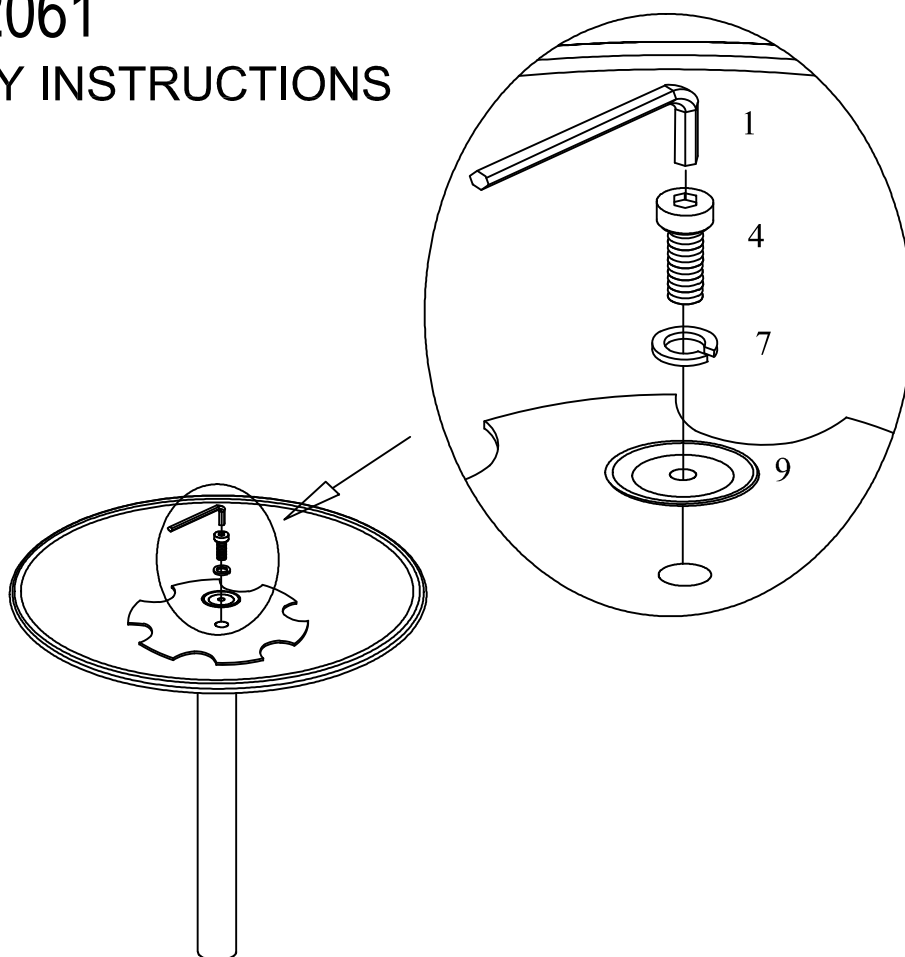
PARTS IDENTIFICATION

| | | | | | |
|--------|--|-----|------------------|--|-----|
| A TOP | | 1PC | C BASE | | 1PC |
| B POST | | 1PC | D MOUNTING PLATE | | 1PC |

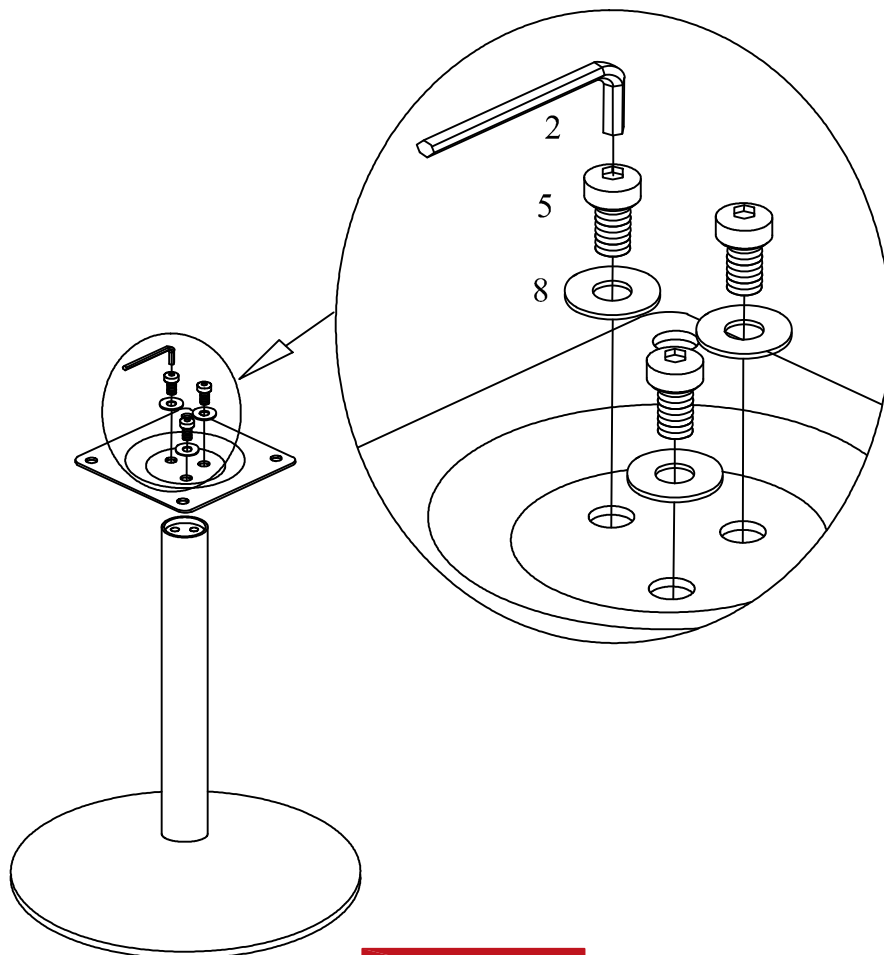
HARDWARE IDENTIFICATION

| Z | HARDWARE PACK | | |
|---|-----------------------|--|------|
| 1 | ALLEN WRENCH M10 | | 1PC |
| 2 | ALLEN WRENCH M6 | | 1PC |
| 3 | ALLEN WRENCH M5 | | 1PC |
| 4 | BOLT M12" *80MM | | 1PC |
| 5 | BOLT M8" *30MM | | 3PCS |
| 6 | BOLT Ø5/16" *15MM | | 4PCS |
| 7 | LOCK WASHER Ø17 *Ø 13 | | 1PC |
| 8 | FLAT WASHER Ø17 *Ø8.3 | | 7PCS |
| 9 | WASHER Ø5/16 *15MM | | 1PC |

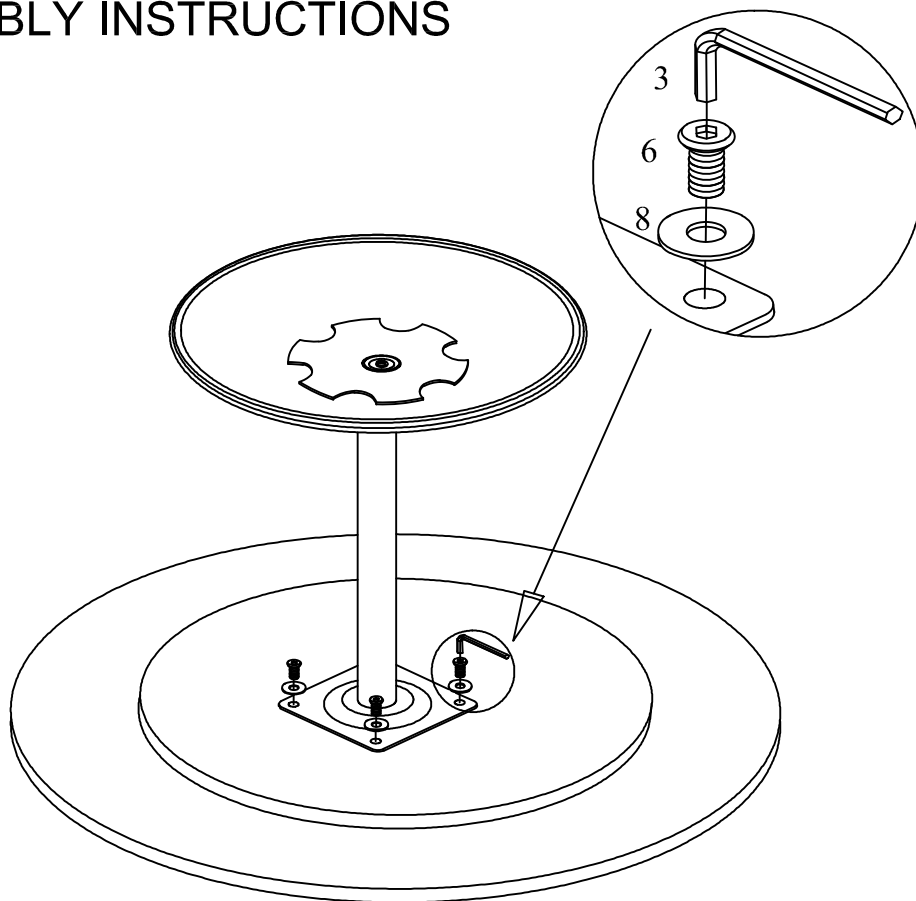
ITEM: 192061
ASSEMBLY INSTRUCTIONS
STEP 1



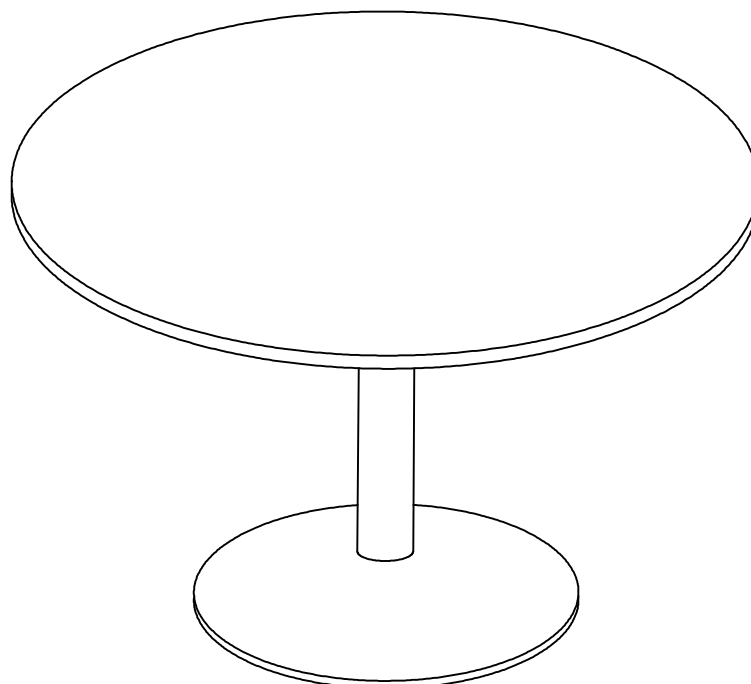
STEP 2



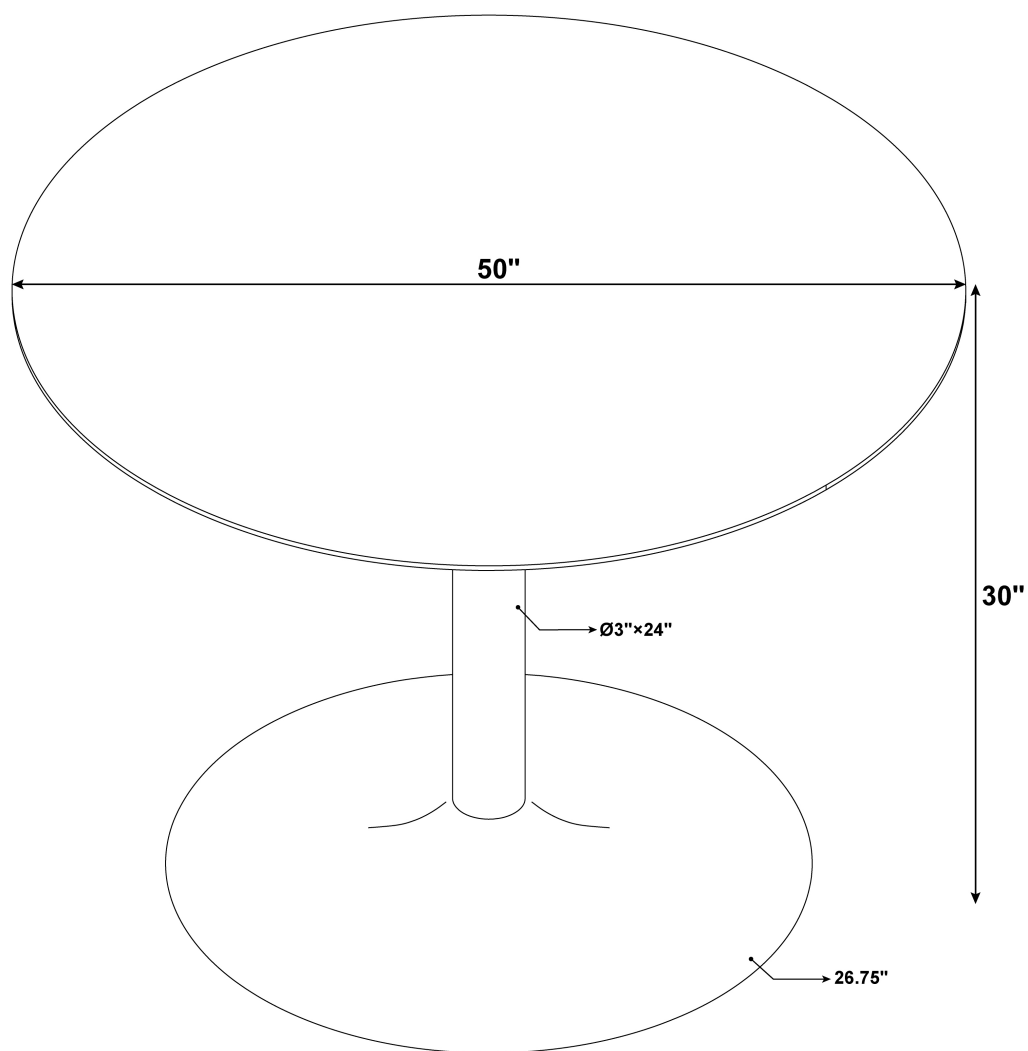
ITEM: 192061
ASSEMBLY INSTRUCTIONS
STEP 3



STEP 4



ITEM: 192061
ASSEMBLY INSTRUCTIONS



Note :Dimension tolerance $\pm 5\%$

