



*ASSEMBLY INSTRUCTIONS
COASTER FINE FURNITURE*



Fine Furniture for every stage of life

551621-3

6PC SECTIONAL

ITEM: 551621

ASSEMBLY INSTRUCTIONS



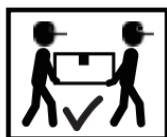
ASSEMBLY TIPS:

1. Remove hardware from box and sort by size.
2. Please check to see that all hardware and parts are present prior to start of assembly.
3. Please follow attached instructions in the same sequence as numbered to assure fast & easy assembly.



WARNING!

1. Don't attempt to repair or modify parts that are broken or defective. Please contact the store immediately.
2. This product is for home use only and not intended for commercial establishments.



ASSEMBLY TIME

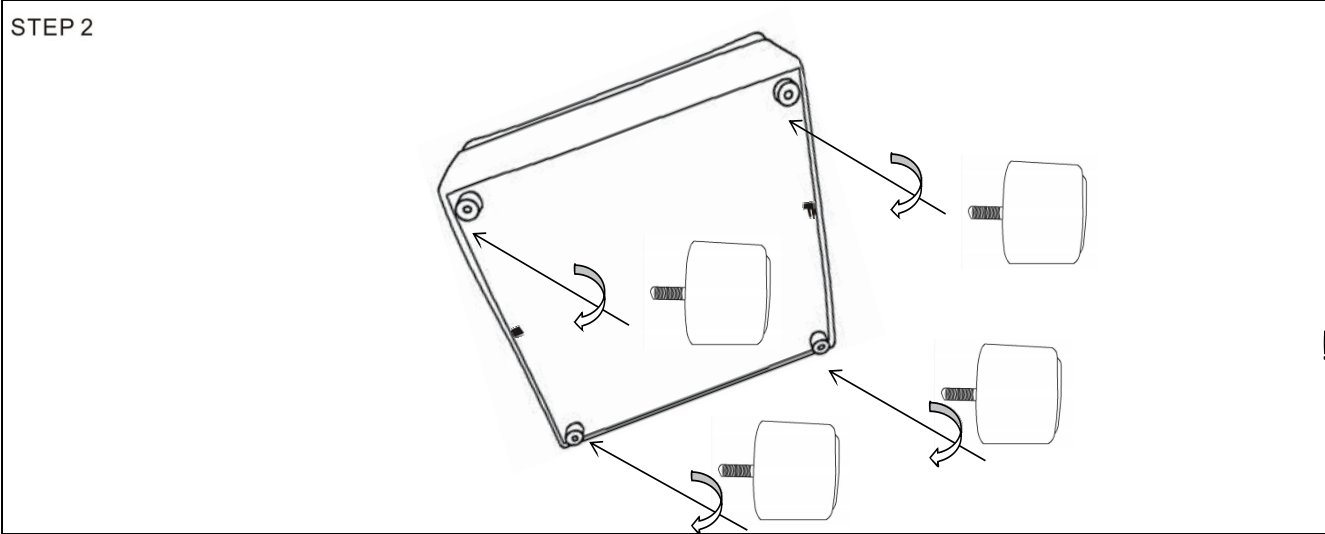
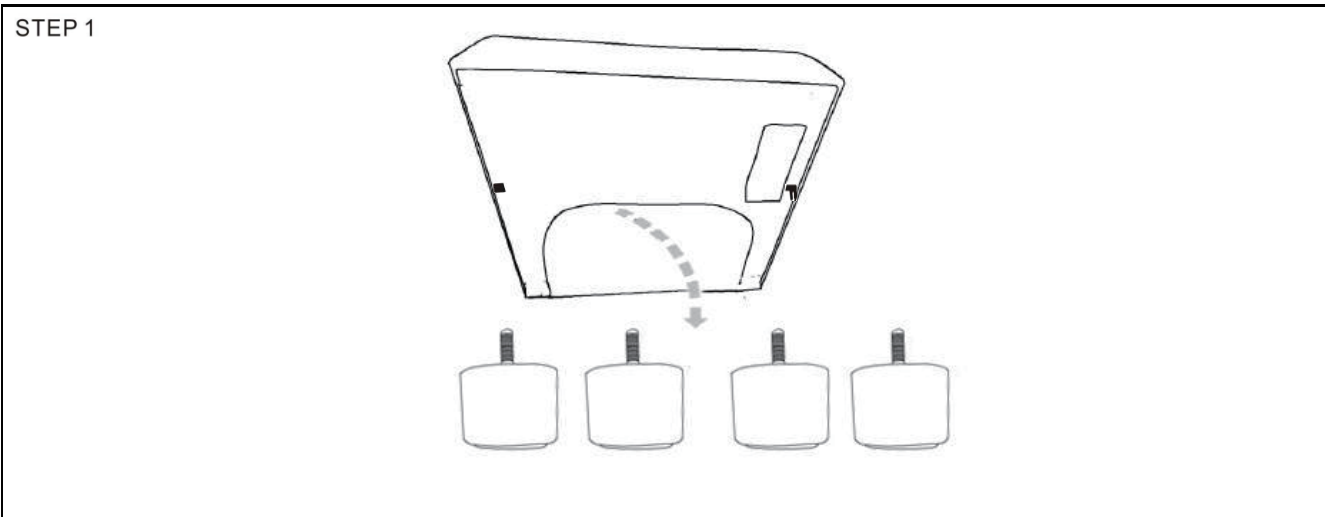
5 MINUTES

PARTS IDENTIFICATION

	PART NAME	FIGURE	QUANTITY
A	ARMLESS CHAIR		1PC
B	LEG		4PCS

ITEM: 551621

ASSEMBLY INSTRUCTIONS



ITEM: 551622

ASSEMBLY INSTRUCTIONS



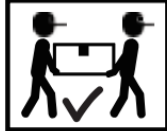
ASSEMBLY TIPS:

1. Remove hardware from box and sort by size.
2. Please check to see that all hardware and parts are present prior to start of assembly.
3. Please follow attached instructions in the same sequence as numbered to assure fast & easy assembly.



WARNING!

1. Don't attempt to repair or modify parts that are broken or defective. Please contact the store immediately.
2. This product is for home use only and not intended for commercial establishments.



ASSEMBLY TIME

5 MINUTES

PARTS IDENTIFICATION

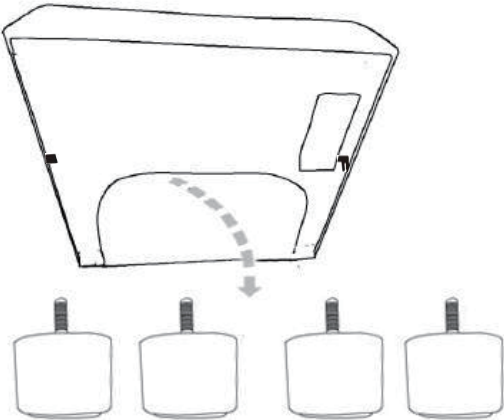
	PART NAME	FIGURE	QUANTITY
A	CORNER		1PC
B	LEG		4PCS

ITEM: 551622

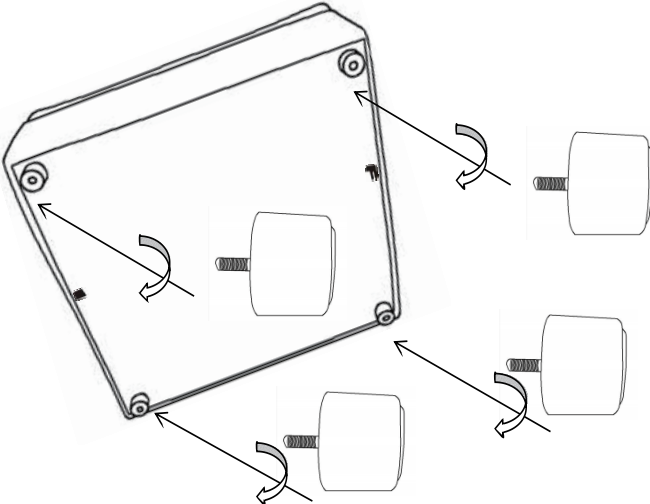
ASSEMBLY INSTRUCTIONS



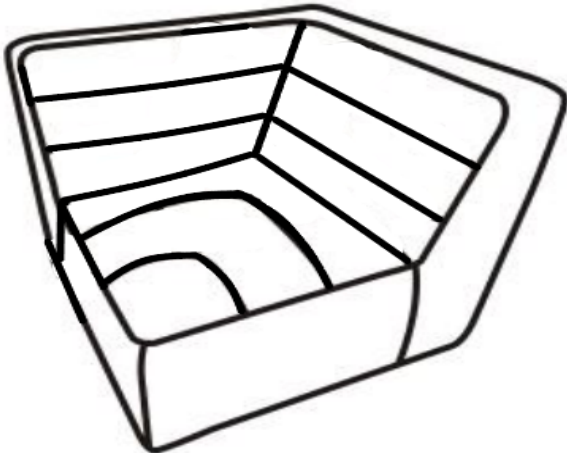
STEP 1



STEP 2



STEP 3
COMPLETE



ITEM: 551623

ASSEMBLY INSTRUCTIONS



ASSEMBLY TIPS:

1. Remove hardware from box and sort by size.
2. Please check to see that all hardware and parts are present prior to start of assembly.
3. Please follow attached instructions in the same sequence as numbered to assure fast & easy assembly.



WARNING!

1. Don't attempt to repair or modify parts that are broken or defective. Please contact the store immediately.
2. This product is for home use only and not intended for commercial establishments.



ASSEMBLY TIME

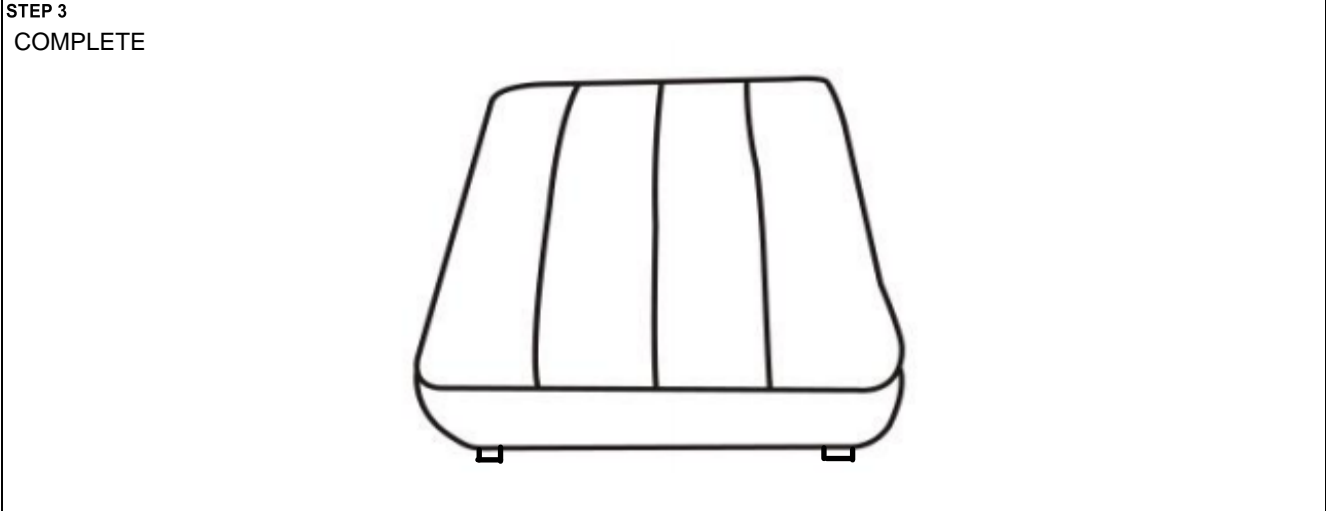
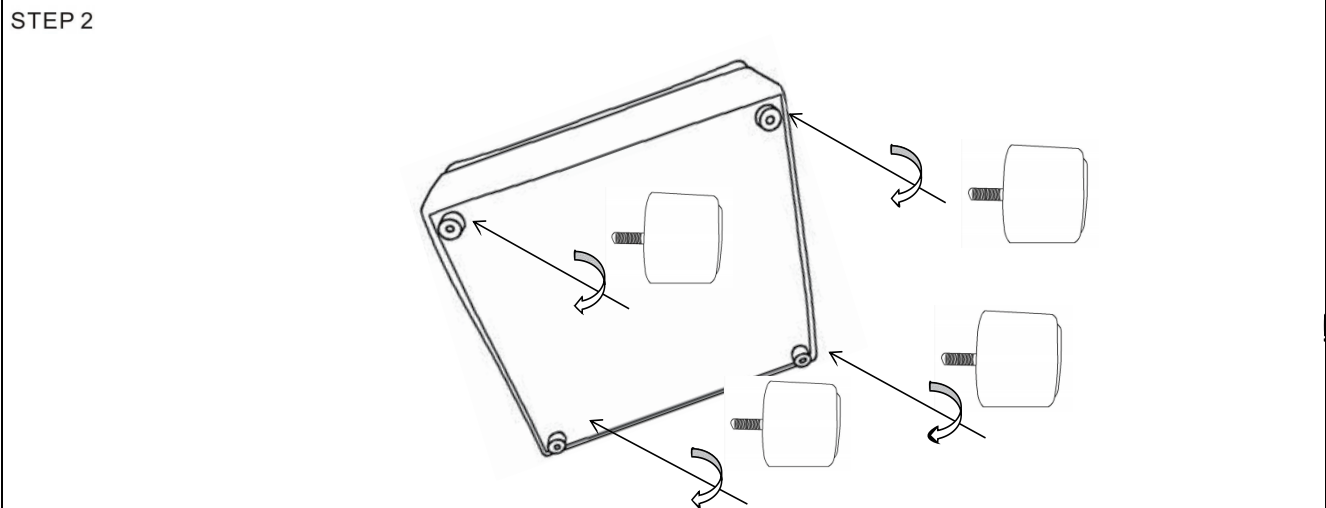
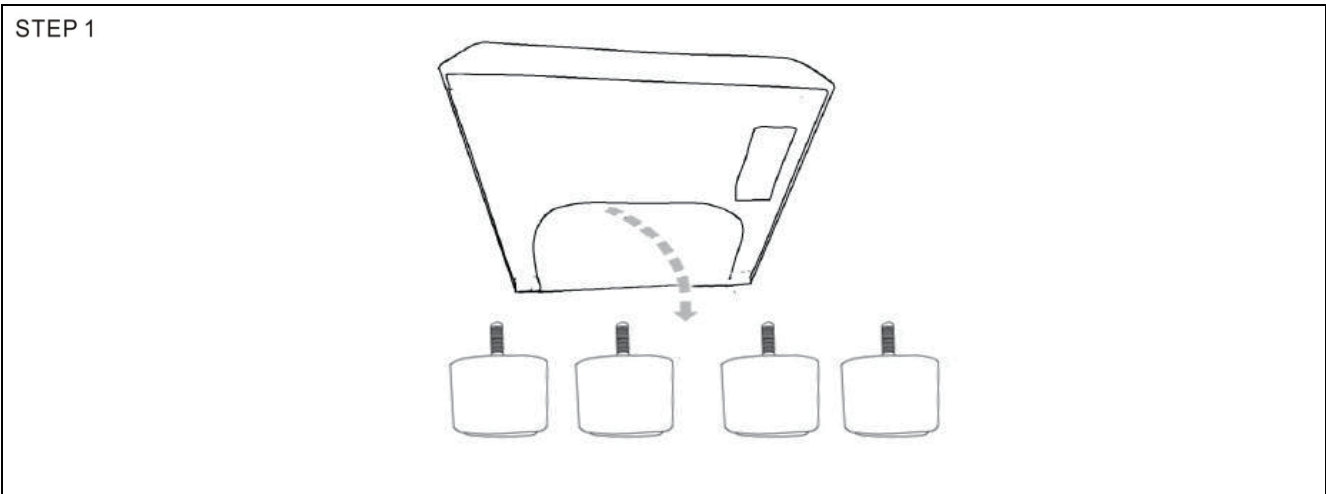
5 MINUTES

PARTS IDENTIFICATION

	PART NAME	FIGURE	QUANTITY
A	OTTOMAN		1PC
B	LEG		4PCS

ITEM: 551623

ASSEMBLY INSTRUCTIONS

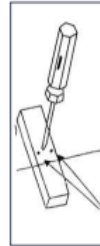
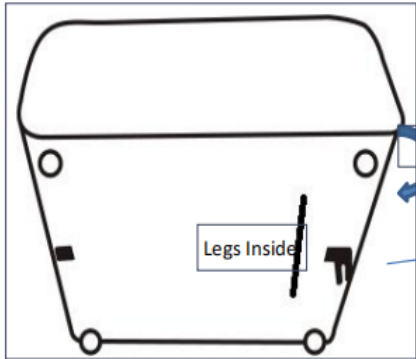


ITEM: 551621-3

ASSEMBLY INSTRUCTIONS

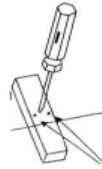
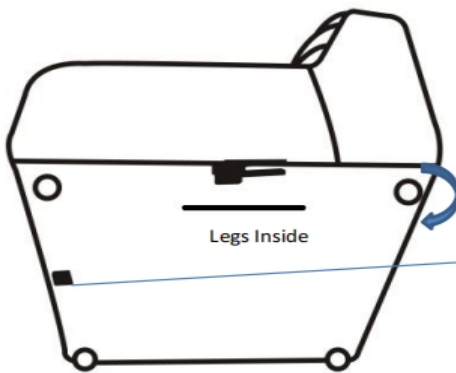


STEP 1 Turn over the item and take out the legs from zippered pouch and install the legs as pictures show



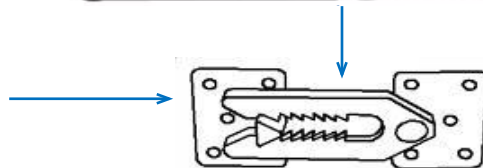
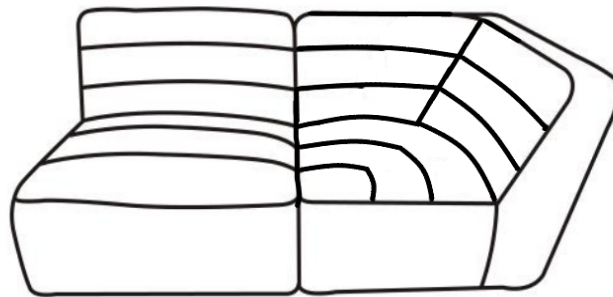
Do not use a hammer, pls remove the wood block with screwdriver

STEP 2

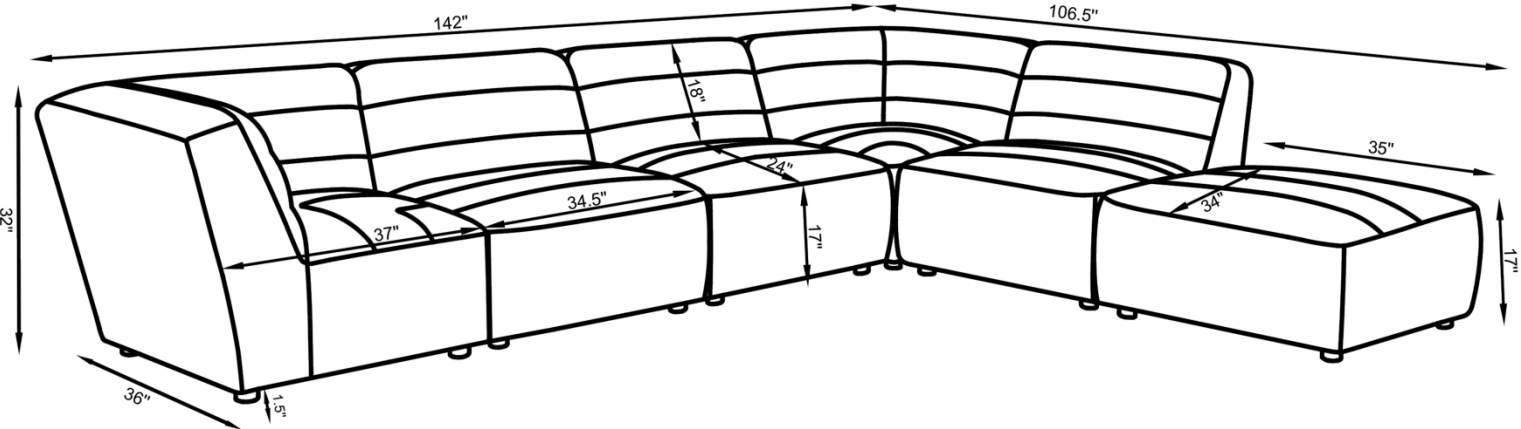


Do not use a hammer, pls remove the wood block with screwdriver

STEP3: Insert the metal grooves to connect other units as pictures show



ITEM: 551621-3



Note: Dimension tolerance $\pm 5\%$

