

*ASSEMBLY INSTRUCTIONS*  
*COASTER FINE FURNITURE*



*Fine Furniture for every stage of life*

801492  
**WRITING DESK**

ITEM:801492



# ASSEMBLY INSTRUCTIONS

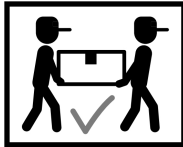
## ASSEMBLY TIPS:

1. Remove hardware from box and sort by size.
2. Please check to see that all hardware and parts are present prior to start of assembly.
3. Please follow attached instructions in the same sequence as numbered to assure fast & easy assembly.



### WARNING!

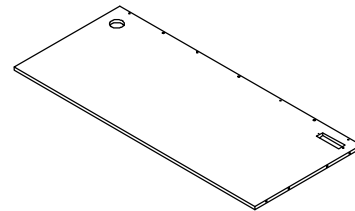
1. Don't attempt to repair or modify parts that are broken or defective. Please contact the store immediately.
2. This product is for home use only and not intended for commercial establishments.



ASSEMBLY TIME 99 MINUTES

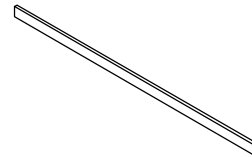
## PARTS IDENTIFICATION

A DESKTOP BOARD



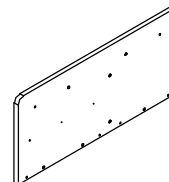
1PC

B TOP PANEL



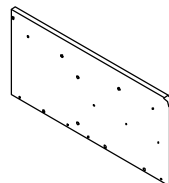
1PC

C LEFT PANEL



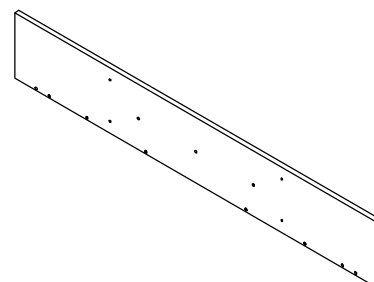
1PC

D RIGHT PANEL



1PC

E MIDDLE SUPPORT PANEL



1PC

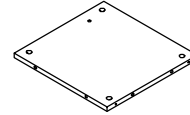
ITEM:801492

# ASSEMBLY INSTRUCTIONS

## PARTS IDENTIFICATION

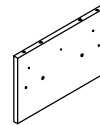


F LEFT BOTTOM PANEL



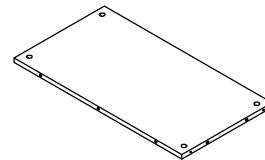
1PC

G LEFT MIDDLE PANEL



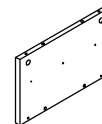
1PC

H MIDDLE PANEL



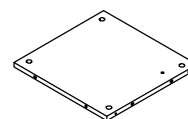
1PC

I RIGHT MIDDLE PANEL



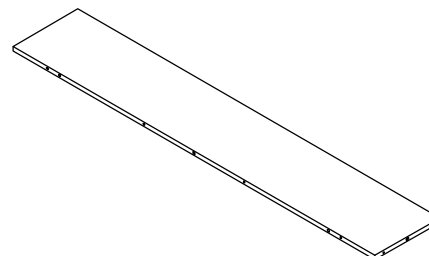
1PC

J RIGHT BOTTOM PANEL



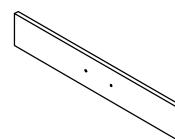
1PC

K BACK BOTTOM PANEL



1PC

L LONG DRAWER  
FRONT PANEL



1PC

ITEM:801492

# ASSEMBLY INSTRUCTIONS

## PARTS IDENTIFICATION



M LONG DRAWER LEFT PANEL  1PC

N LONG DRAWER RIGHT PANEL  1PC

O LONG DRAWER BACK PANEL  1PC

P LONG DRAWER BOTTOM PANEL  1PC

Q SHORT DRAWER FRONT PANEL  2PCS

R SHORT DRAWER LEFT PANEL  2PCS

S SHORT DRAWER RIGHT PANEL  2PCS

ITEM:801492

# ASSEMBLY INSTRUCTIONS

## PARTS IDENTIFICATION



T      SHORT DRAWER  
BACK PANEL            2PCS

U      SHORT DRAWER  
BOTTOM PANEL            2PCS

V      LEFT SIDE FRAME            1PC

A1      RIGHT SIDE FRAME            1PC

A2      BACK SUPPORT CROSSBAR            2PCS

A3      SLIDE RAIL            6PCS

A4      HANDLE            3PCS

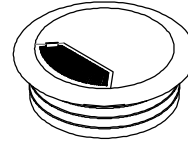
ITEM:801492

# ASSEMBLY INSTRUCTIONS

## PARTS IDENTIFICATION

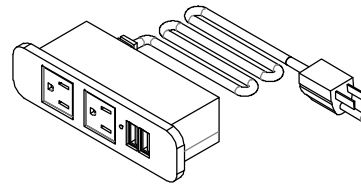


A5 COVER



1PC

A6 POWER OUTLET



1PC

Z


## HARDWARE IDENTIFICATION

1 CAM-BOLT  
(38mm SR)  30PCS

2 CAM-LOCK  
( $\phi$ 15mm SR)  30PCS

3 WOOD DOWEL  
(8 x 30mm)  47PCS


4 LONG SCREW  
(8 x 38mm)  24PCS

5 SHORT SCREW  
(6 x 12mm)  18PCS

6 SHORT BOLT  
(5/32" x 12mm)  6PCS

7 HANDLE BOLT  
(5/32" x 21mm)  6PCS

8 BOLT  
(1/4" x 12mm)  8PCS

9 CAP  
(20 x 40mm BLK)  4PCS

10 POWER SCREW  
(3.5 x 15mm)  2PCS

11 GLUE  1PC

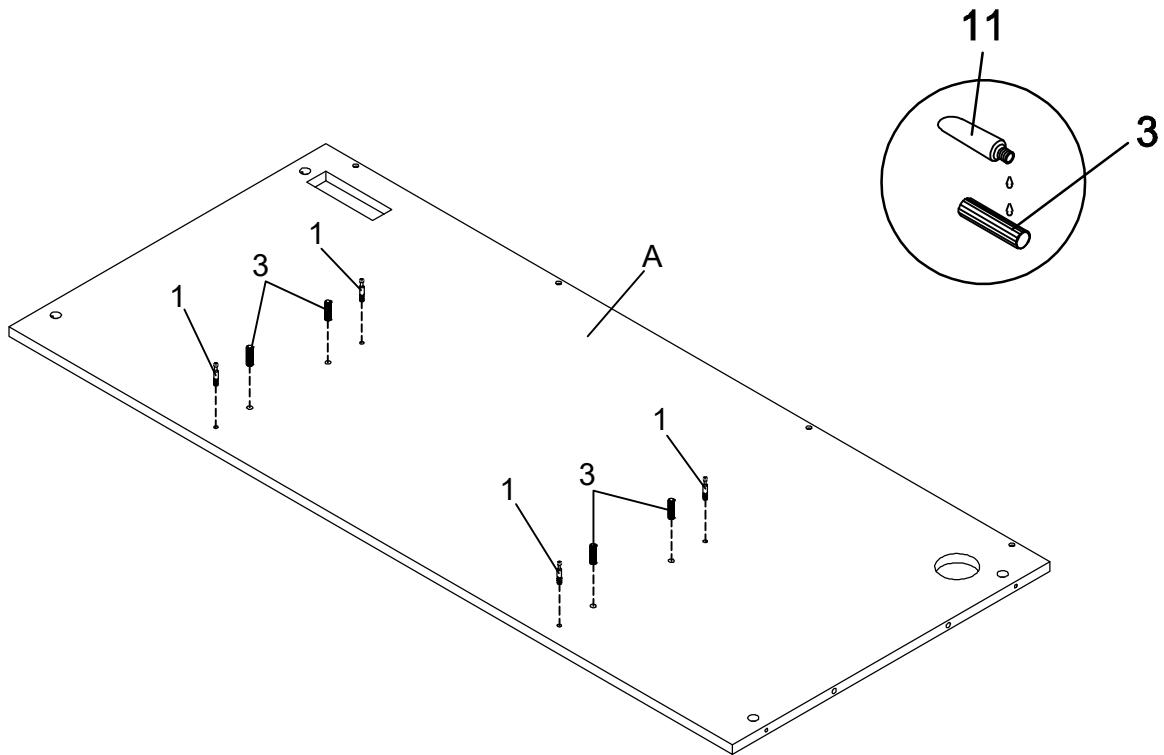
12 ALLEN WRENCH  
(4mm)  1PC

ITEM:801492

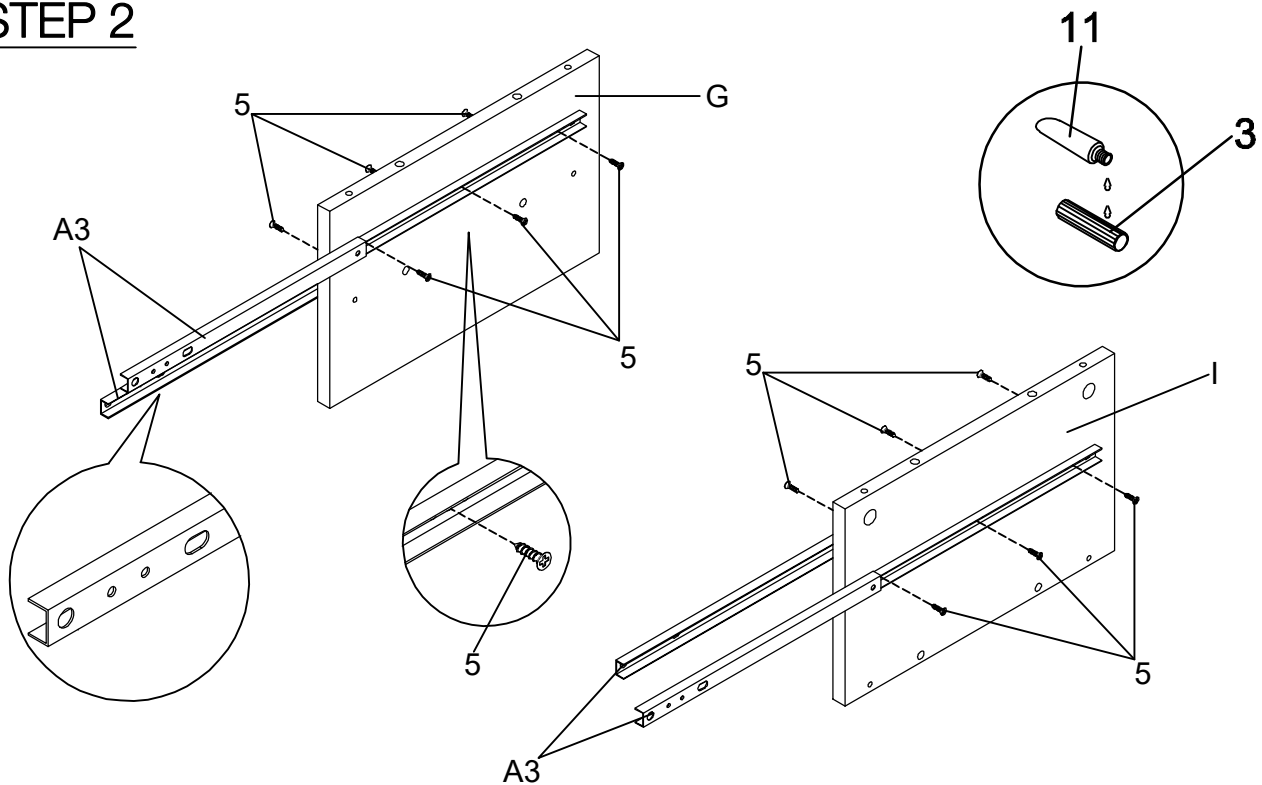


# ASSEMBLY INSTRUCTIONS

**STEP 1** Do not tighten until each step is completed or instructed.



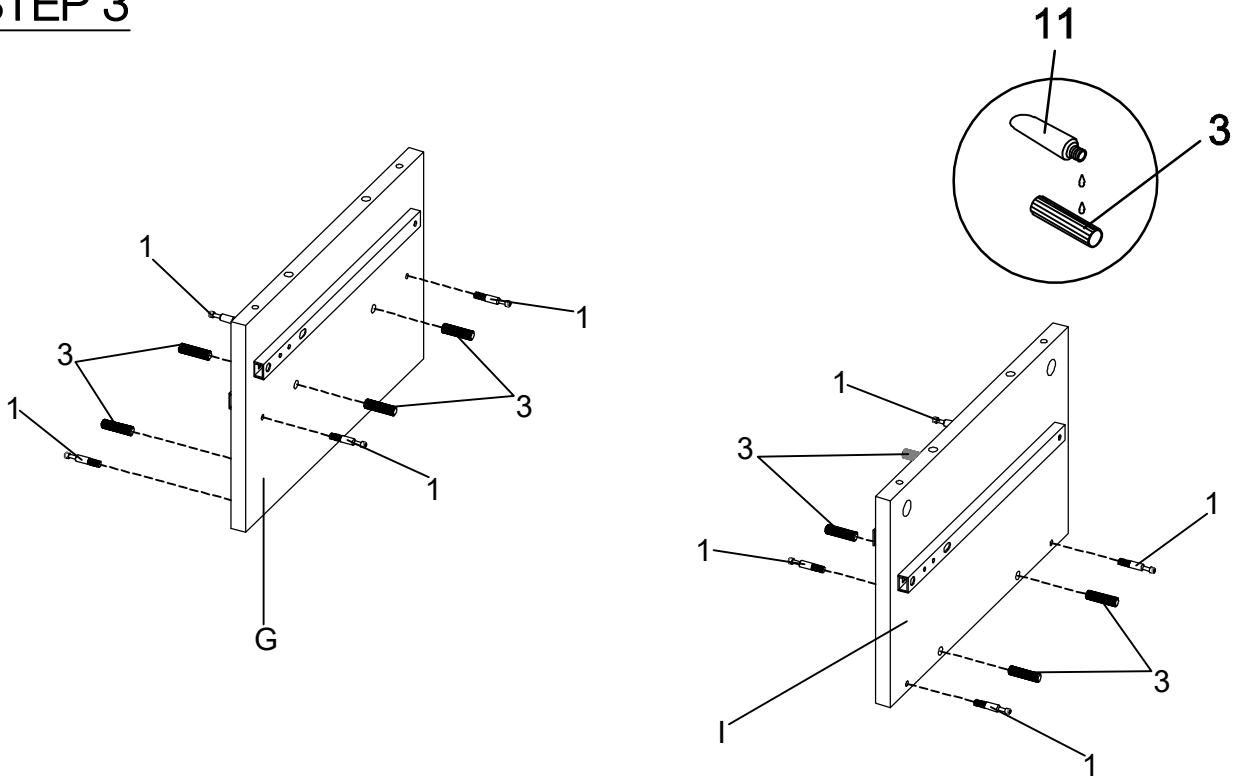
## STEP 2



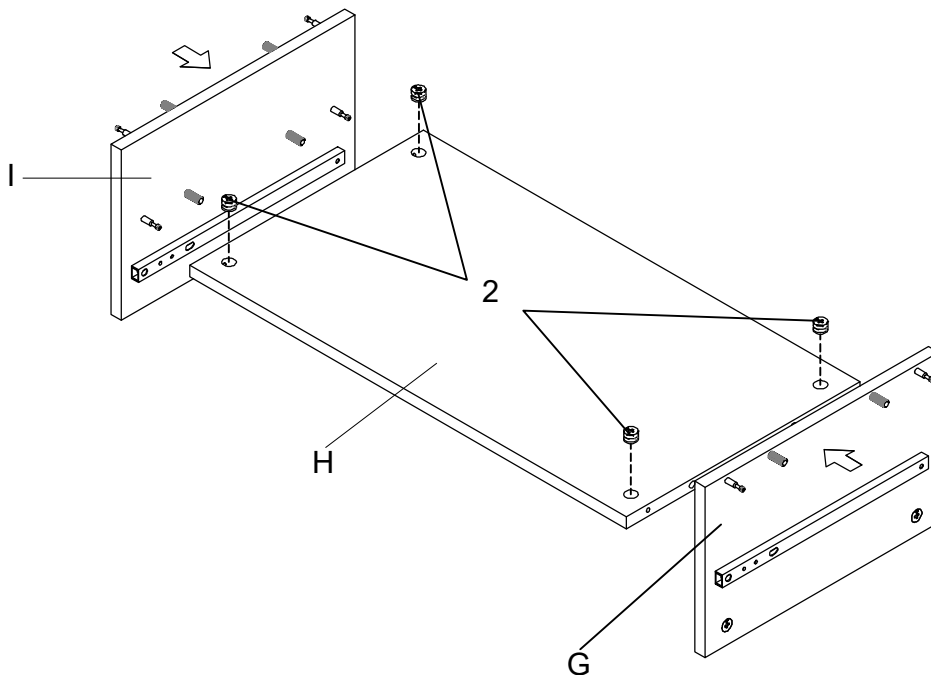
ITEM:801492

# ASSEMBLY INSTRUCTIONS

## STEP 3



## STEP 4

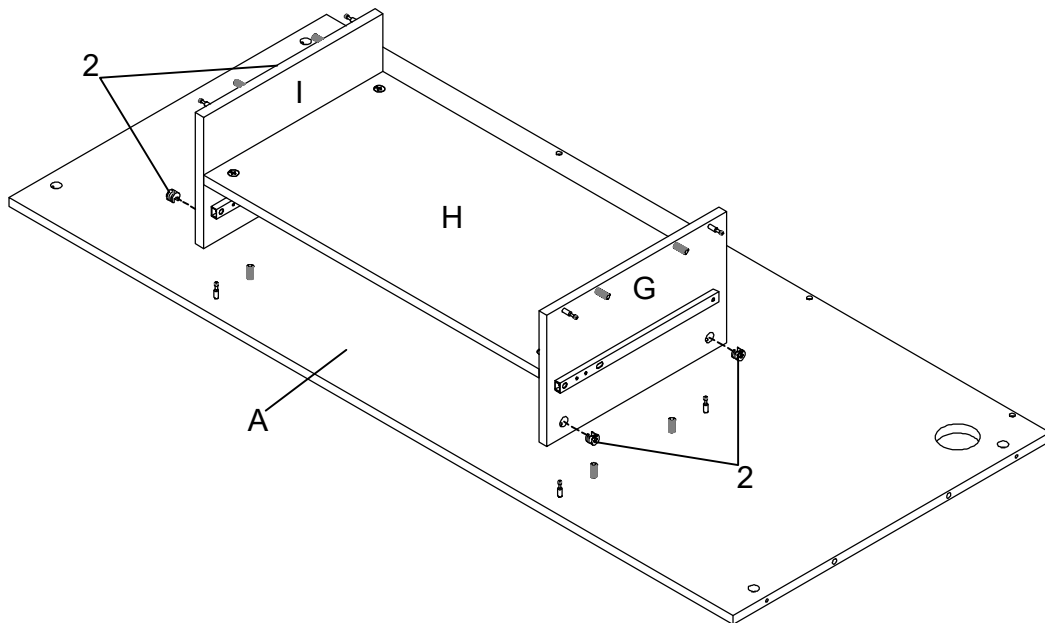




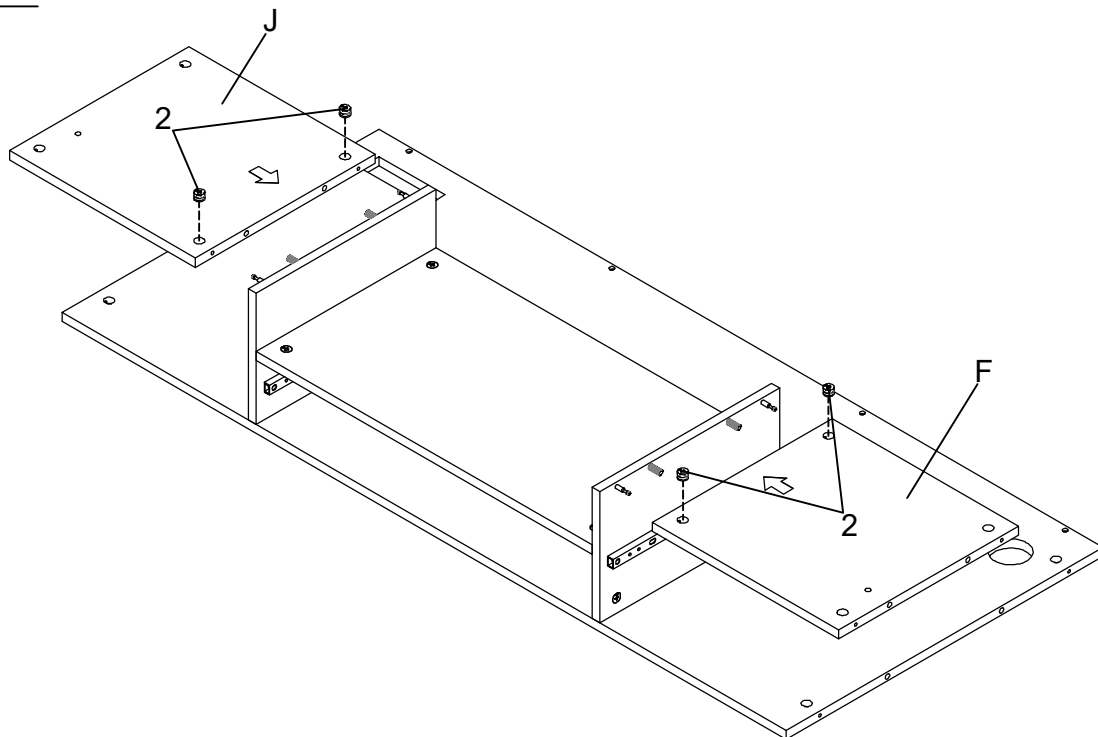
ITEM:801492

# ASSEMBLY INSTRUCTIONS

## STEP 5



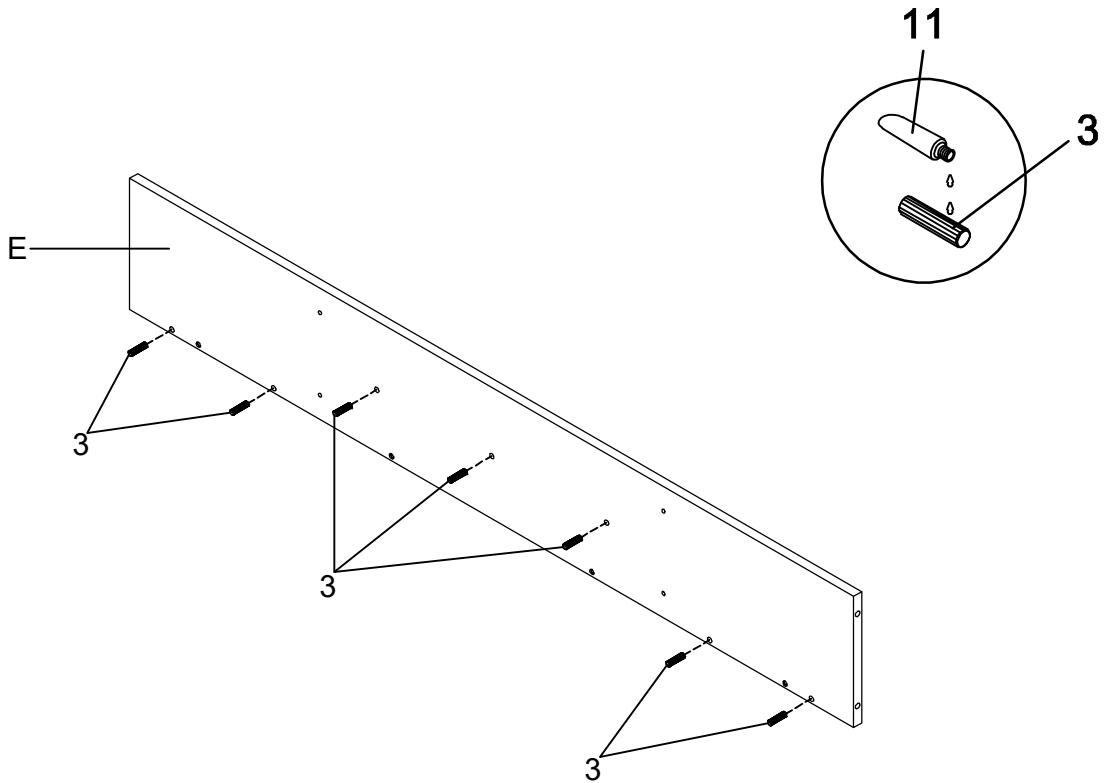
## STEP 6



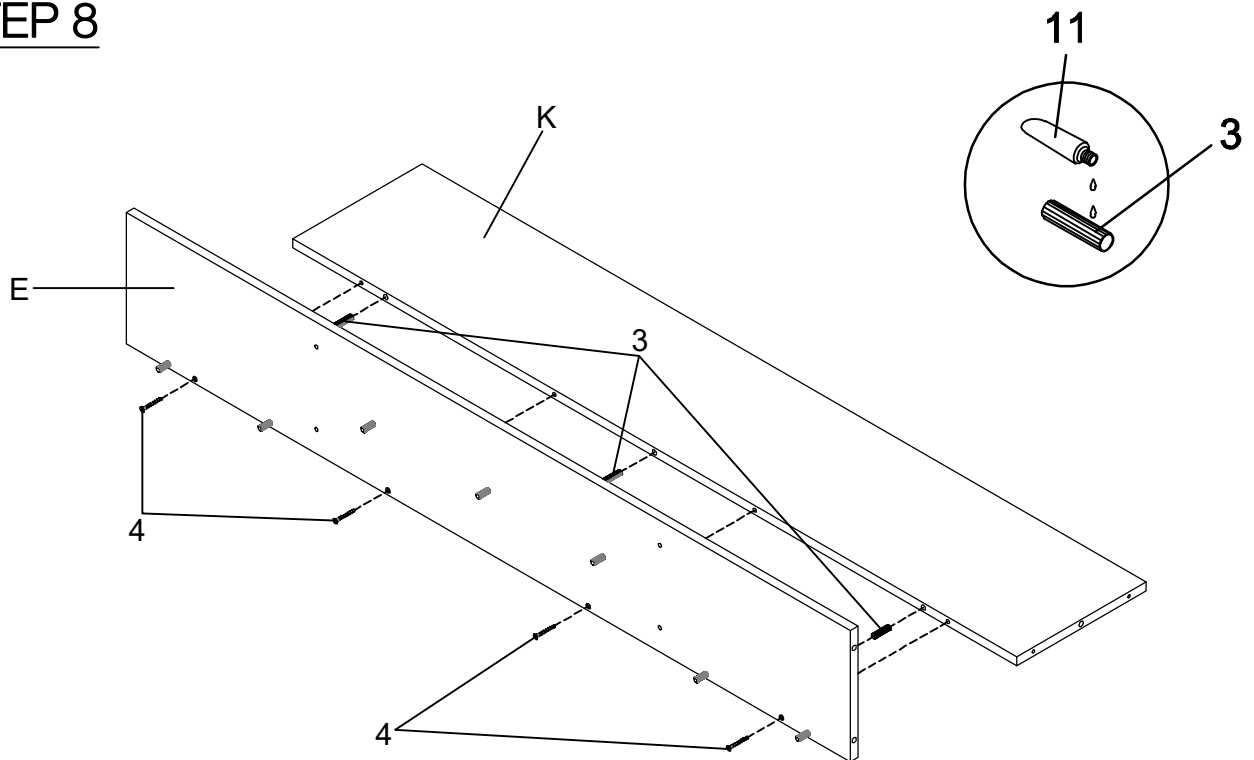
ITEM:801492

# ASSEMBLY INSTRUCTIONS

## STEP 7



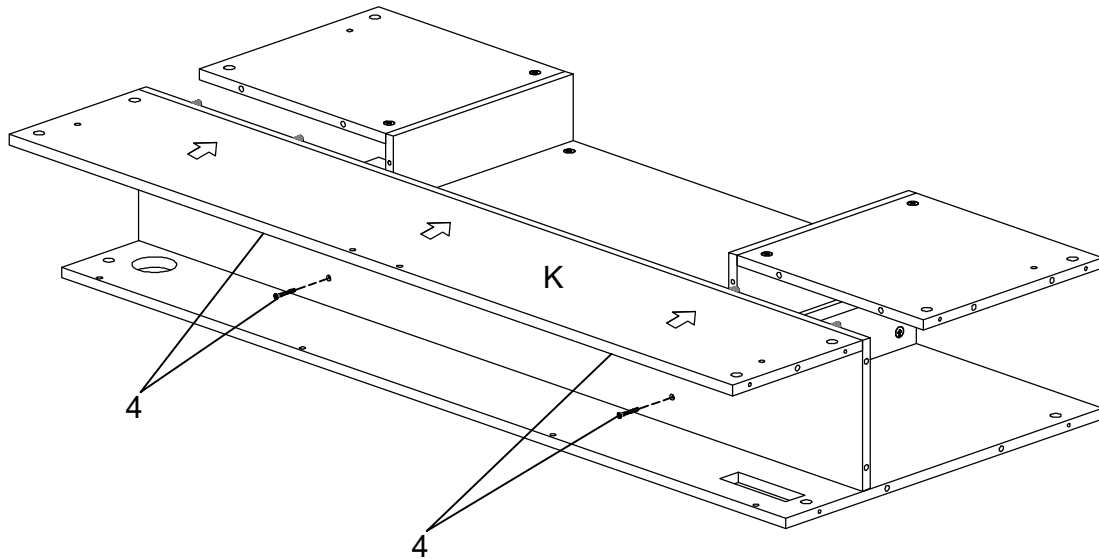
## STEP 8



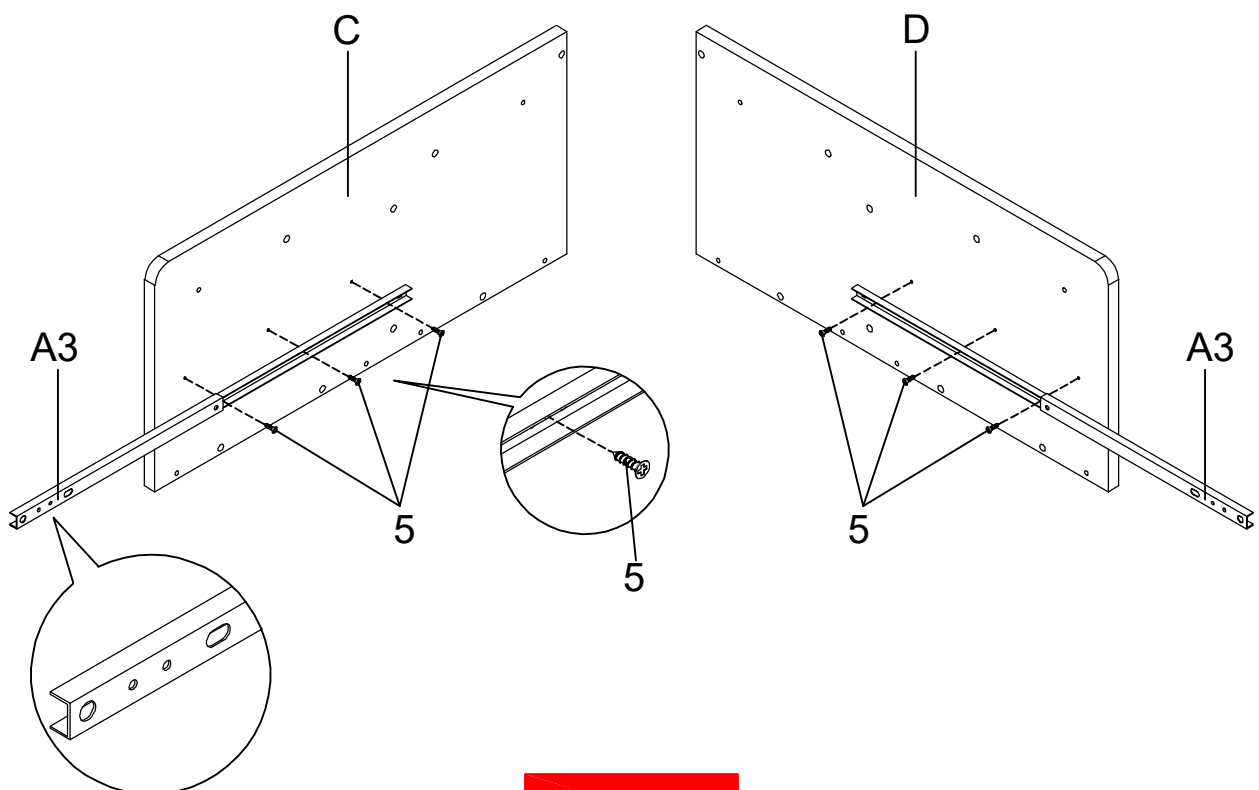
ITEM:801492

# ASSEMBLY INSTRUCTIONS

## STEP 9



## STEP 10

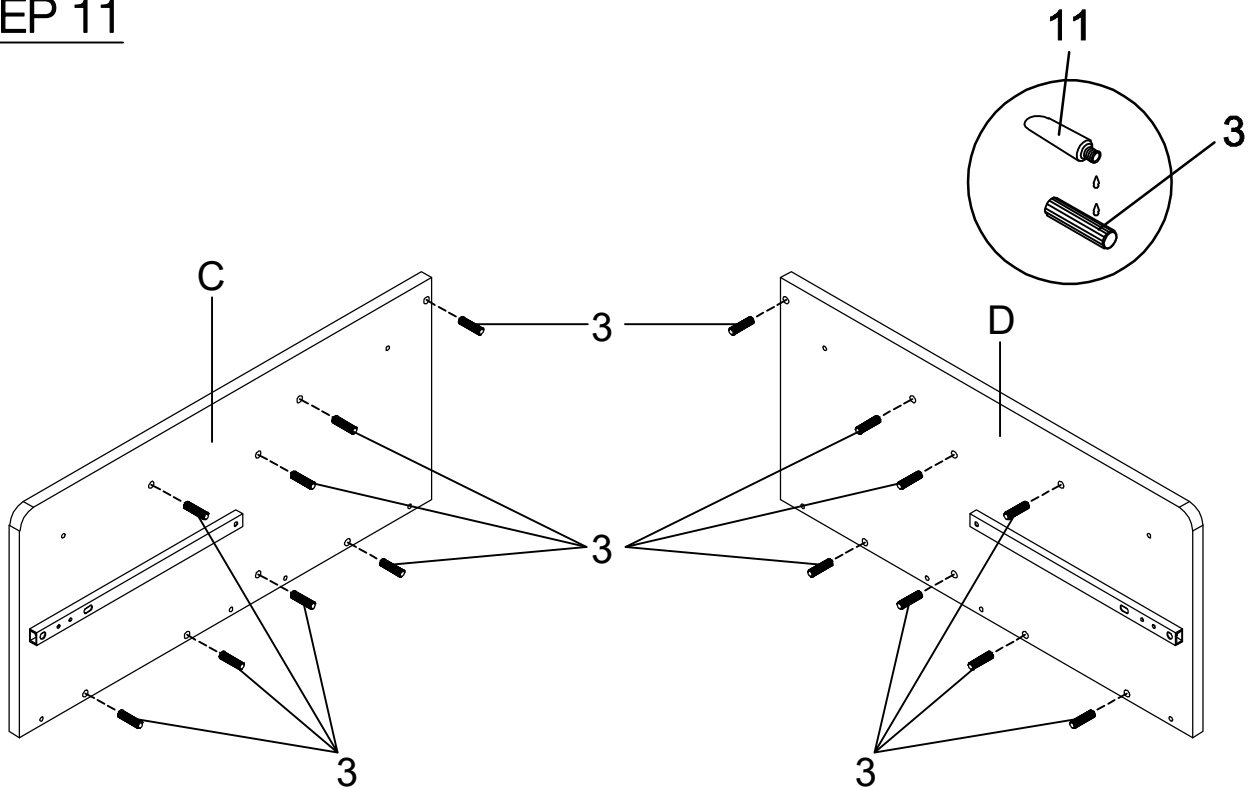


ITEM:801492

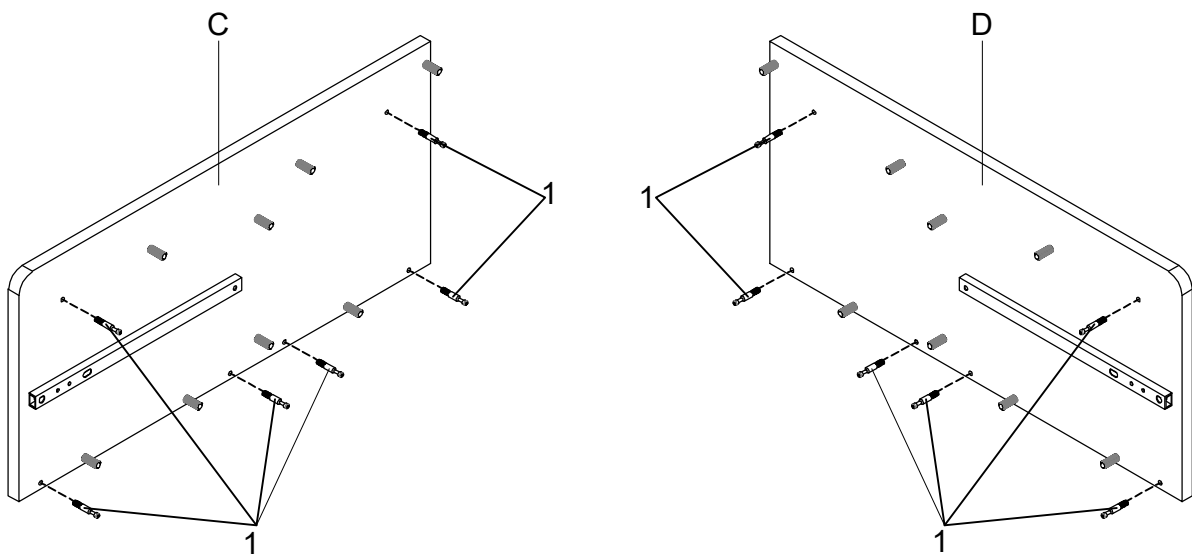
# ASSEMBLY INSTRUCTIONS



## STEP 11



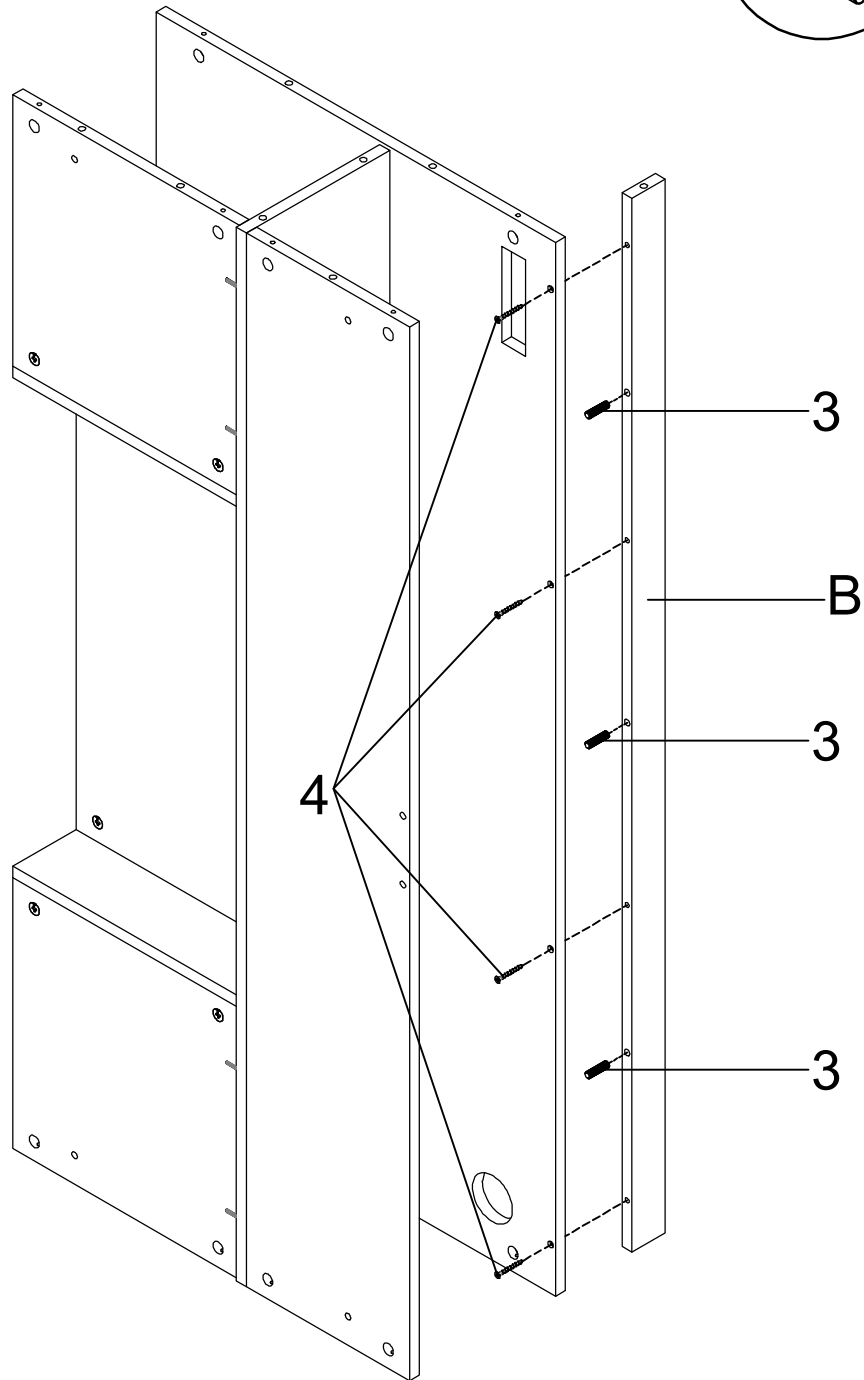
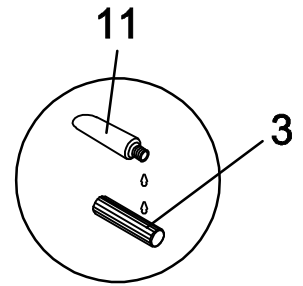
## STEP 12



ITEM:801492

# ASSEMBLY INSTRUCTIONS

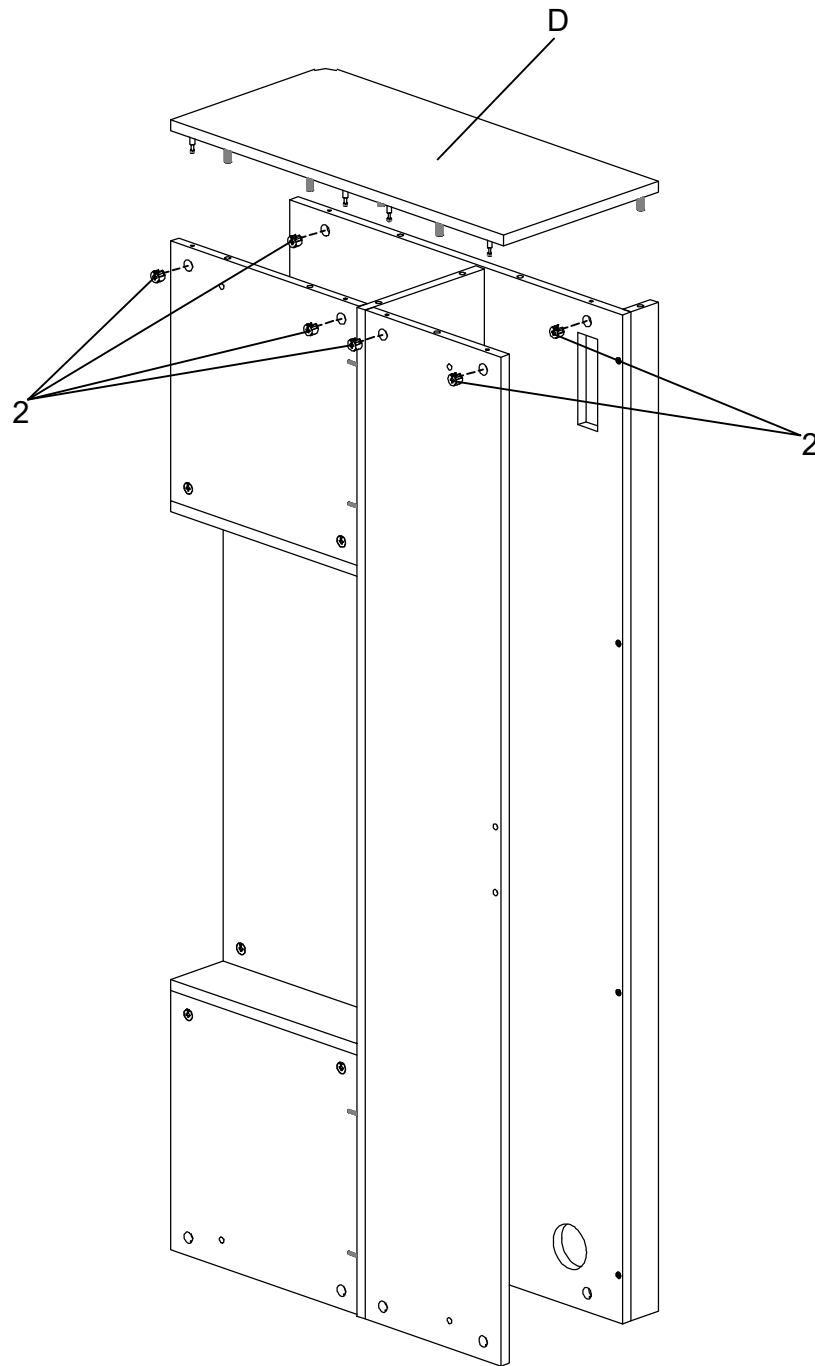
STEP 13



ITEM:801492

# ASSEMBLY INSTRUCTIONS

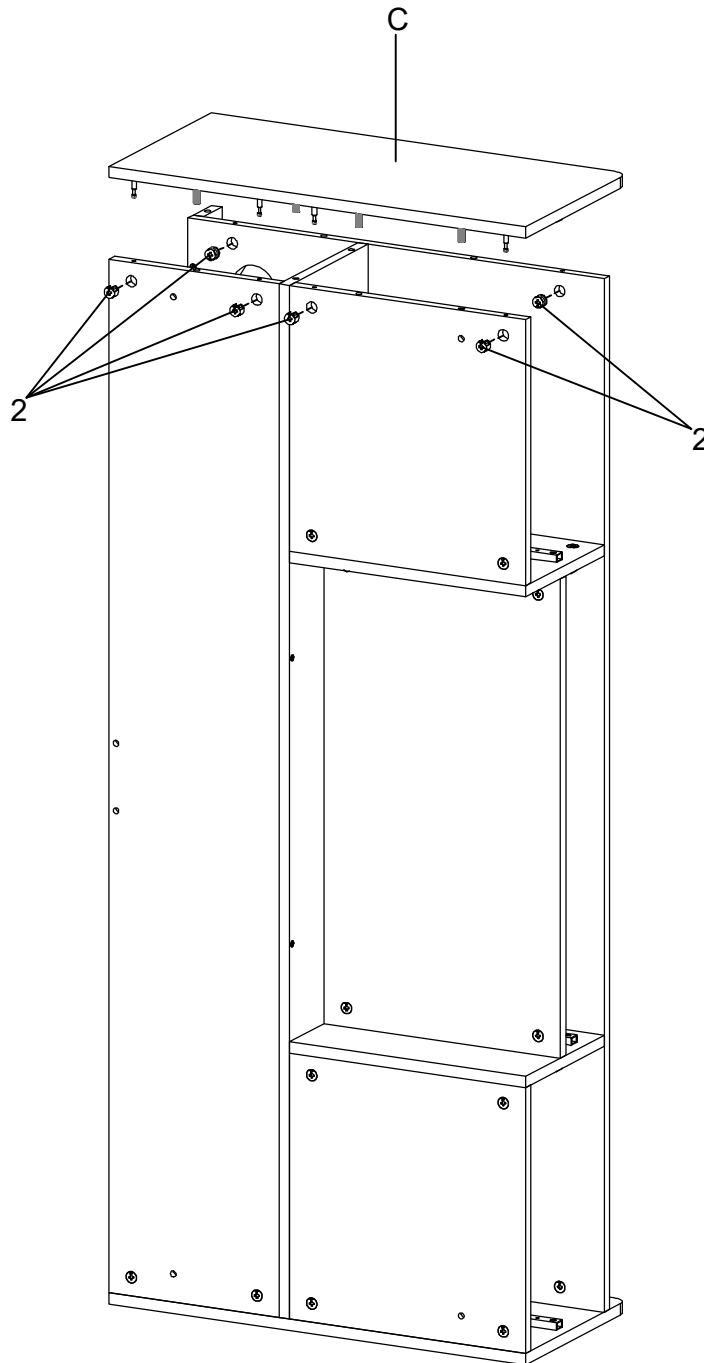
STEP 14



ITEM:801492

# ASSEMBLY INSTRUCTIONS

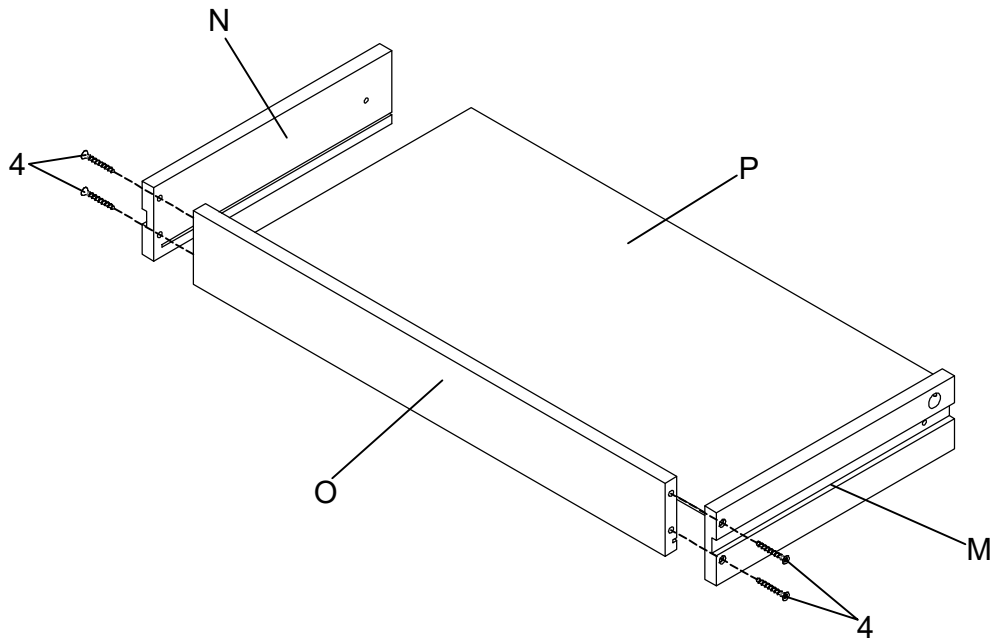
STEP 15



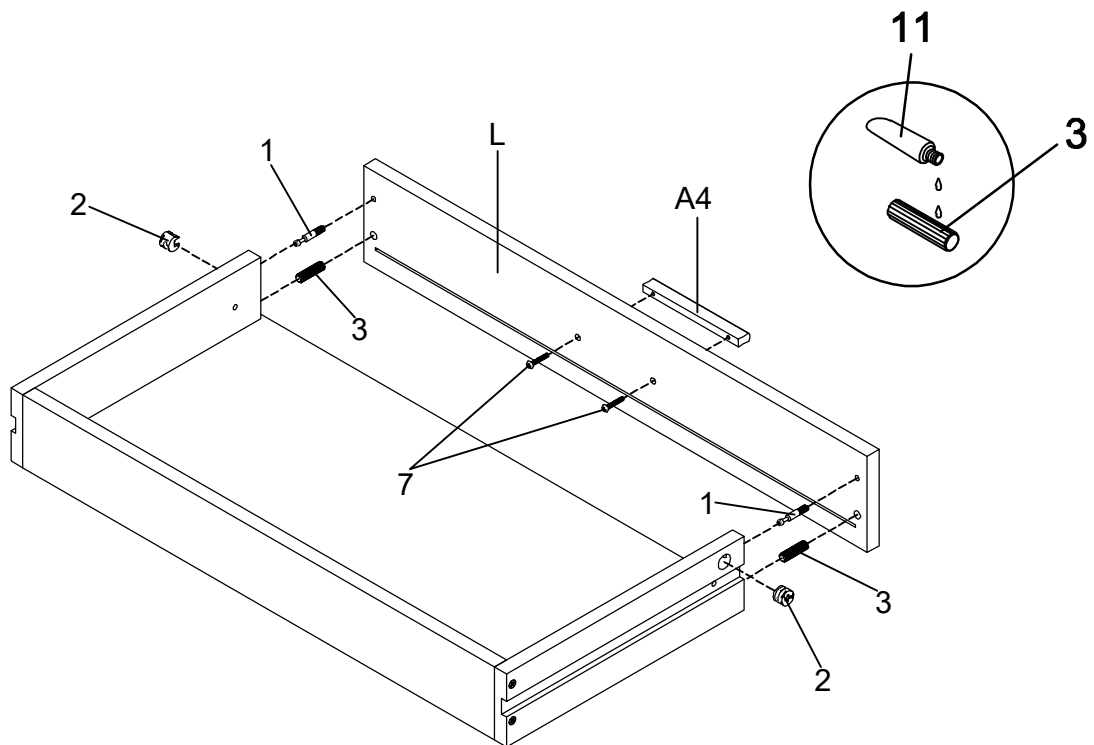
ITEM:801492

# ASSEMBLY INSTRUCTIONS

## STEP 16



## STEP 17

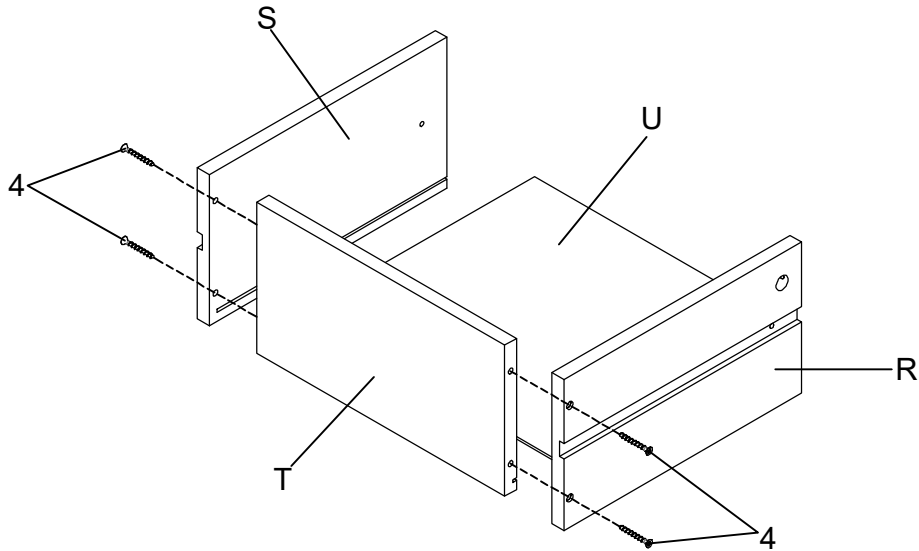




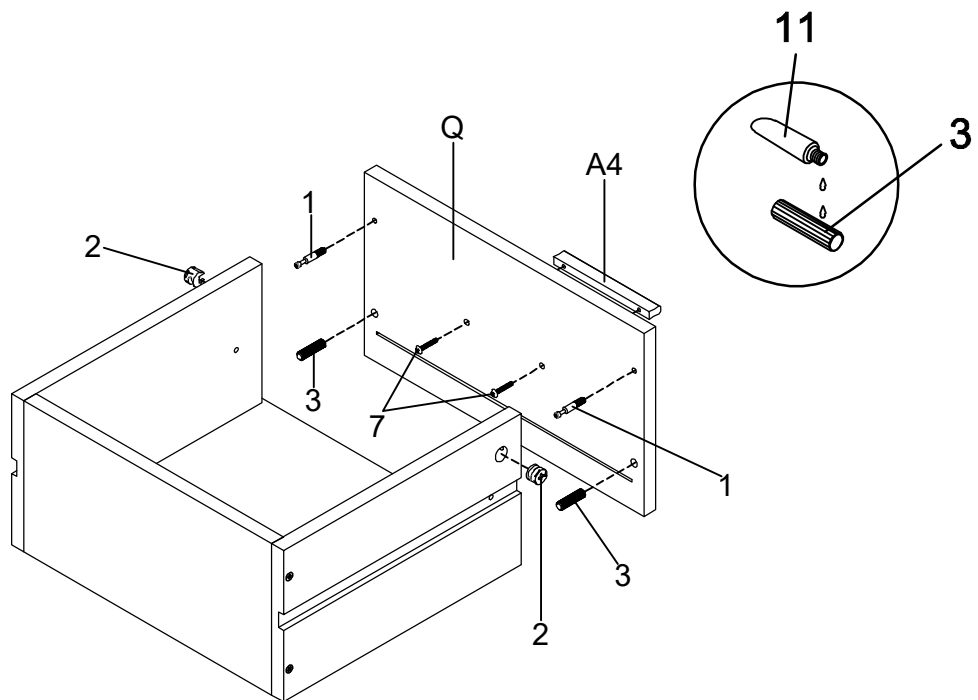
ITEM:801492

# ASSEMBLY INSTRUCTIONS

## STEP 18



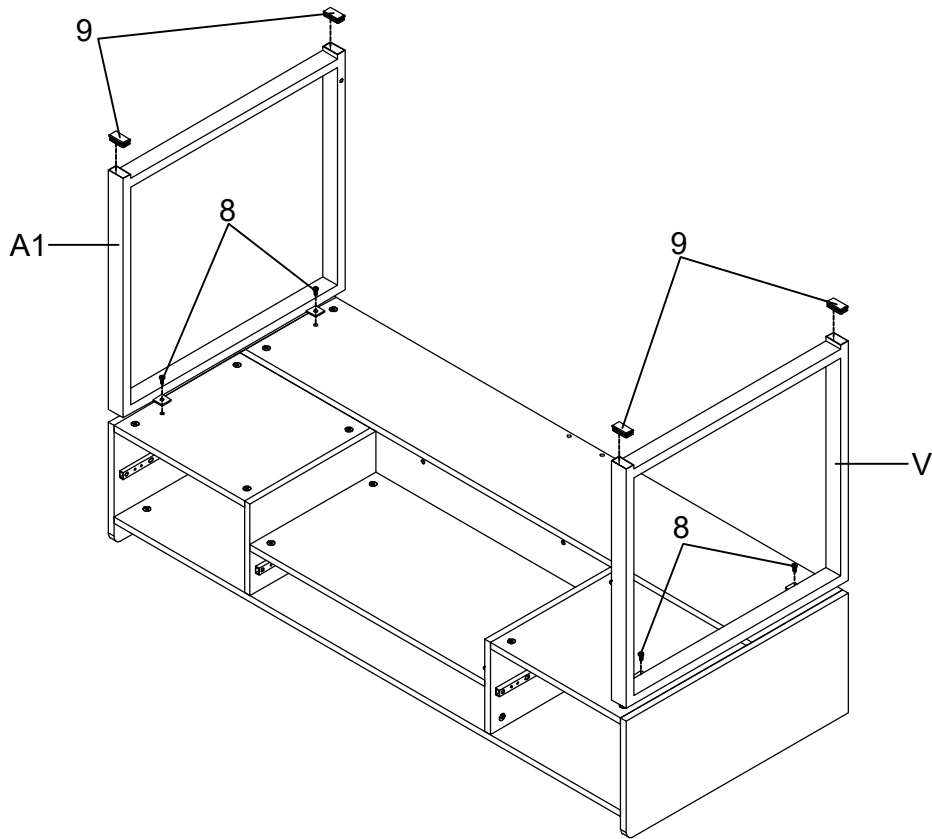
## STEP 19



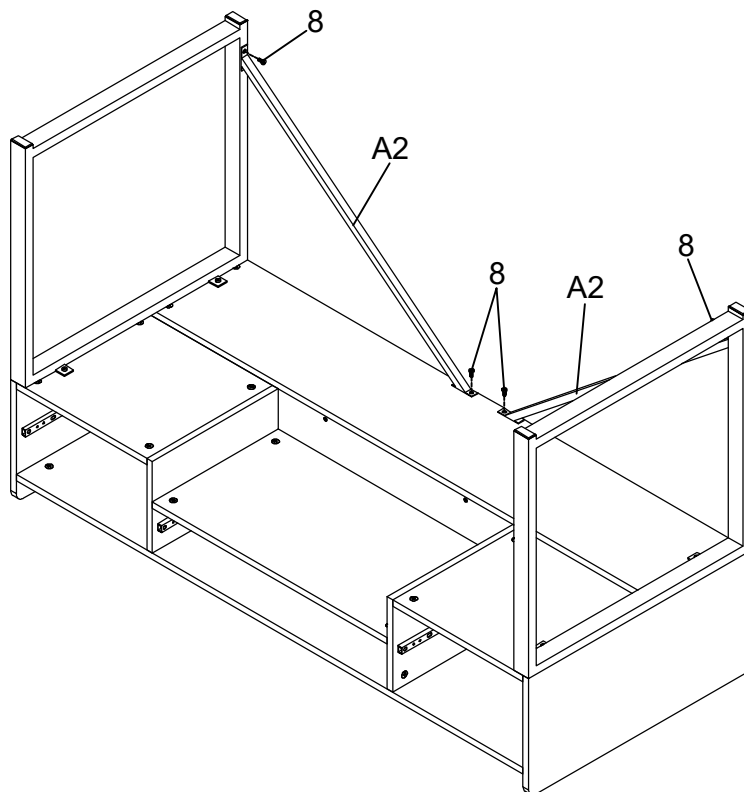
ITEM:801492

# ASSEMBLY INSTRUCTIONS

## STEP 20



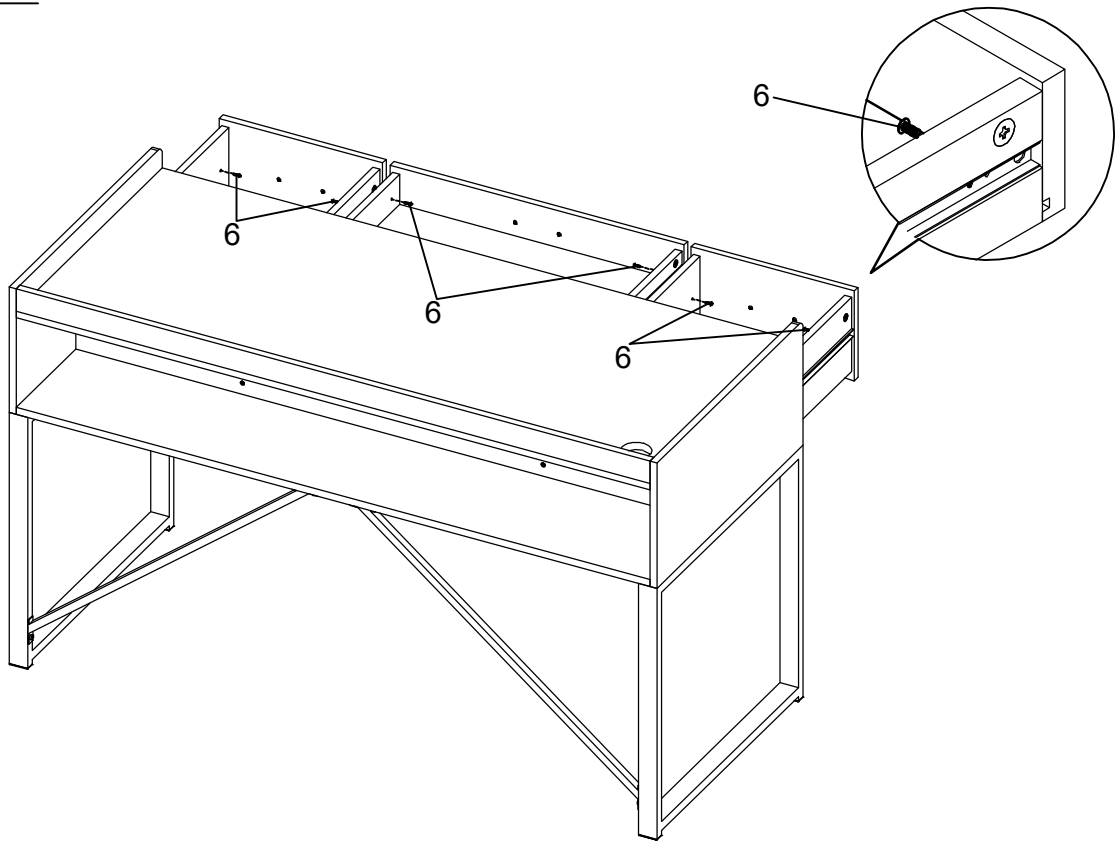
## STEP 21



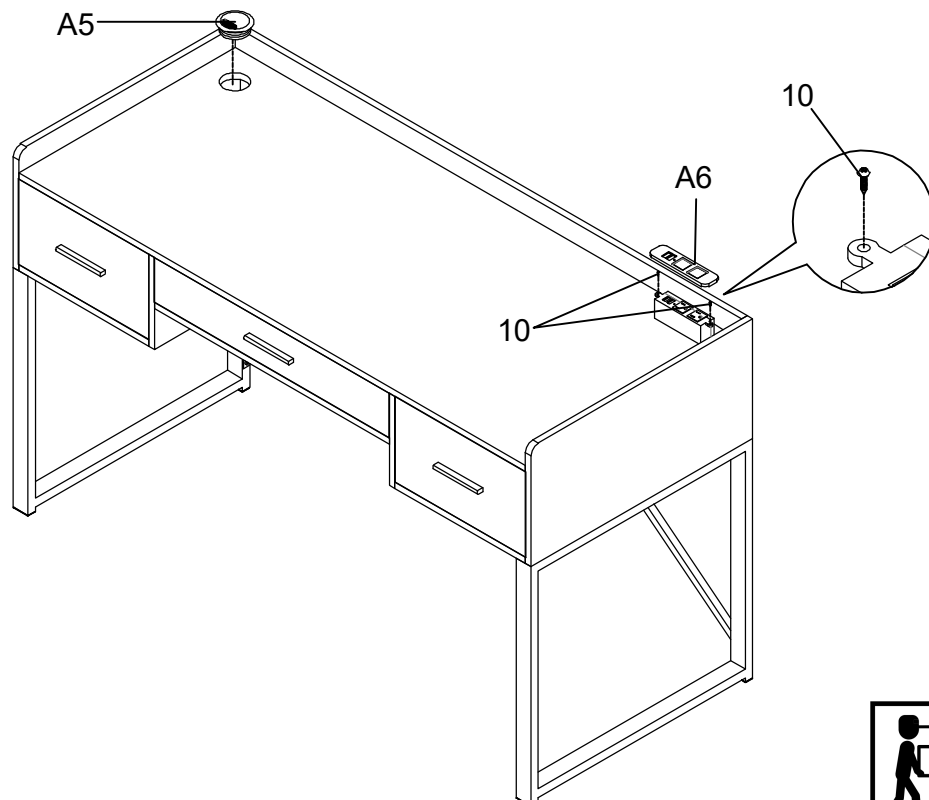
ITEM:801492

# ASSEMBLY INSTRUCTIONS

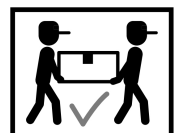
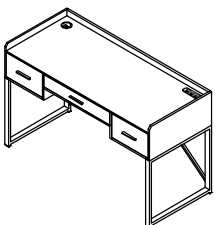
## STEP 22



## STEP 23



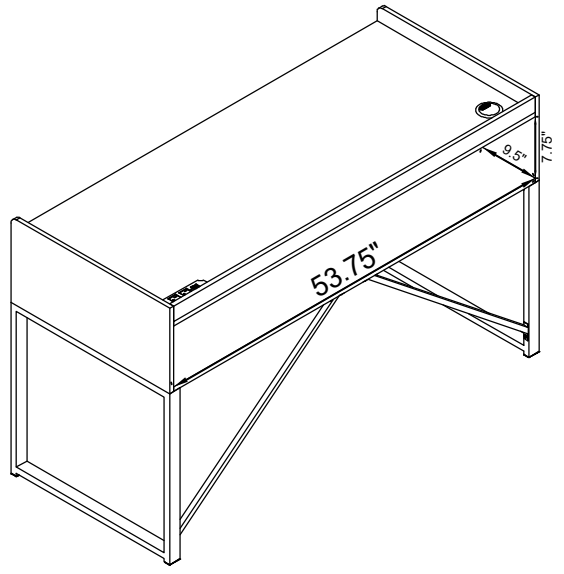
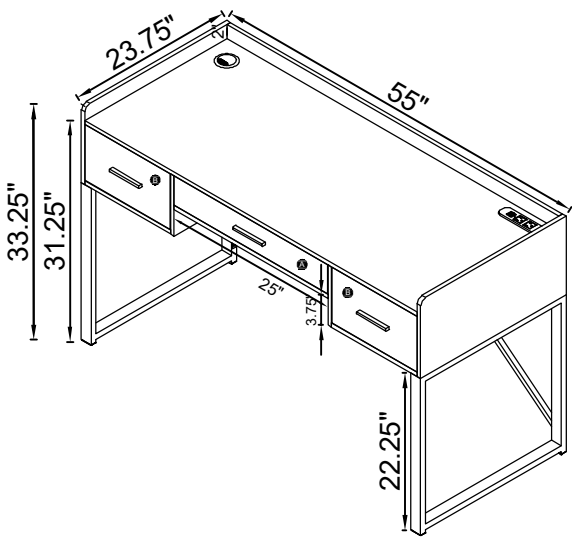
COMPLETE



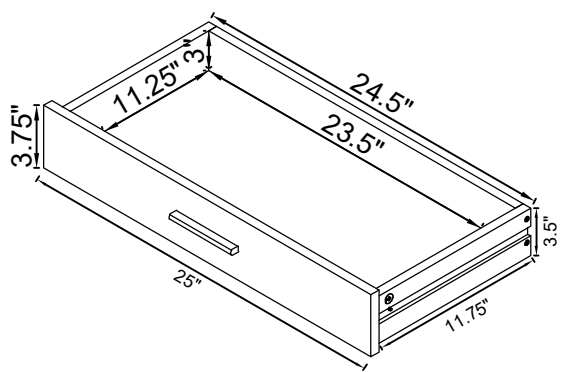
# ITEM:801492 ASSEMBLY INSTRUCTIONS



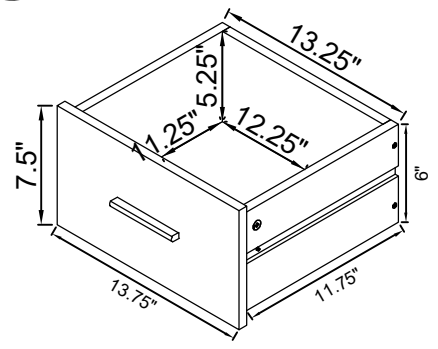
Product Size : 1397 X 603 X 845 H (MM)  
Product Size : 55" X 23.75" X 33.25"



**A**



**B**



Note : Dimension tolerance  $\pm 5\%$