

*ASSEMBLY INSTRUCTIONS*  
*COASTER FINE FURNITURE*



*Fine Furniture for every stage of life*

**183600**  
***Wine Cabinet***

ITEM: **183600**



## ASSEMBLY INSTRUCTIONS

### ASSEMBLY TIPS:

1. Remove hardware from box and sort by size.
2. Please check to see that all hardware and parts are present prior to start of assembly.
3. Please follow attached instructions in the same sequence as numbered to assure fast & easy assembly.



### WARNING!

1. Don't attempt to repair or modify parts that are broken or defective. Please contact the store immediately.
2. This product is for home use only and not intended for commercial establishments.



ASSEMBLY TIME

75 MINUTES

## PARTS IDENTIFICATION

A	TOP PANEL		1PC
B	LEFT SIDE PANEL		1PC
C	RIGHT SIDE PANEL		1PC
D	CENTER PANEL		1PC
E	DIVIDER PANEL		1PC
F	LARGE SHELF PANEL		1PC
G	UPPER SHELF PANEL		1PC
H	LOWER SHELF PANEL		6PCS
I	BOTTOM PANEL		1PC

### NOTE:

Phillips head screw driver is required in the assembly process; however, manufacturer does not provide this item.

# ITEM: 183600



## ASSEMBLY INSTRUCTIONS

### ASSEMBLY TIPS:


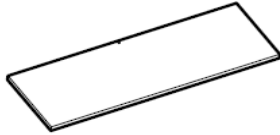
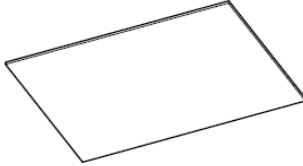

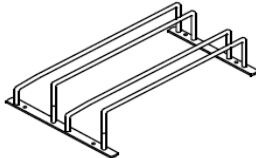


1. Remove hardware from box and sort by size.
2. Please check to see that all hardware and parts are present prior to start of assembly.
3. Please follow attached instructions in the same sequence as numbered to assure fast & easy assembly.



### WARNING!

1. Don't attempt to repair or modify parts that are broken or defective. Please contact the store immediately.
2. This product is for home use only and not intended for commercial establishments.

## PARTS IDENTIFICATION

J	LEG		4PCS
K	DOOR		2PCS
L	LARGE BACK PANEL		1PC
M	SMALL BACK PANEL		1PC
N	GLASS HOLDER		2PCS
O	HINGE (7/8")		4PCS
X	KNOB WITH SCREW		2SETS

### NOTE:

Phillips head screw driver is required in the assembly process; however, manufacturer does not provide this item.

ITEM: **183600**

## ASSEMBLY INSTRUCTIONS

### ASSEMBLY TIPS:

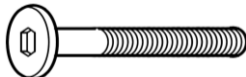
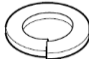


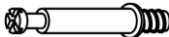





1. Remove hardware from box and sort by size.
2. Please check to see that all hardware and parts are present prior to start of assembly.
3. Please follow attached instructions in the same sequence as numbered to assure fast & easy assembly.



### WARNING!

1. Don't attempt to repair or modify parts that are broken or defective. Please contact the store immediately.
2. This product is for home use only and not intended for commercial establishments.

## HARDWARE IDENTIFICATION

1	<b>BOLT</b> (M8 x 70mm - RBW)		4PCS
2	<b>LOCK WASHER</b> (5/16" - RBW)		4PCS
3	<b>FLAT WASHER</b> (5/16" - RBW)		4PCS
4	<b>ALLEN WRENCH</b> (M5 - BLK)		1PC
5	<b>CAM BOLT</b> (24mm - RBW)		20PCS
6	<b>CAM NUT</b> (12mm - RBW)		20PCS
7	<b>SHELF SUPPORT</b>		28PCS
8	<b>WOOD DOWEL</b> (M8 x 30mm - WOOD)		16PCS
9	<b>PLASTIC SUPPORT</b>		8PCS
10	<b>FLAT HEAD SCREW 1</b> (M3 x 20mm - RBW)		8PCS

### NOTE:

Phillips head screw driver is required in the assembly process; however, manufacturer does not provide this item.

# ITEM: 183600



## ASSEMBLY INSTRUCTIONS

### ASSEMBLY TIPS:

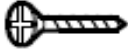
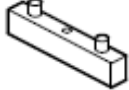

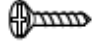

1. Remove hardware from box and sort by size.
2. Please check to see that all hardware and parts are present prior to start of assembly.
3. Please follow attached instructions in the same sequence as numbered to assure fast & easy assembly.



### WARNING!

1. Don't attempt to repair or modify parts that are broken or defective. Please contact the store immediately.
2. This product is for home use only and not intended for commercial establishments.

## HARDWARE IDENTIFICATION

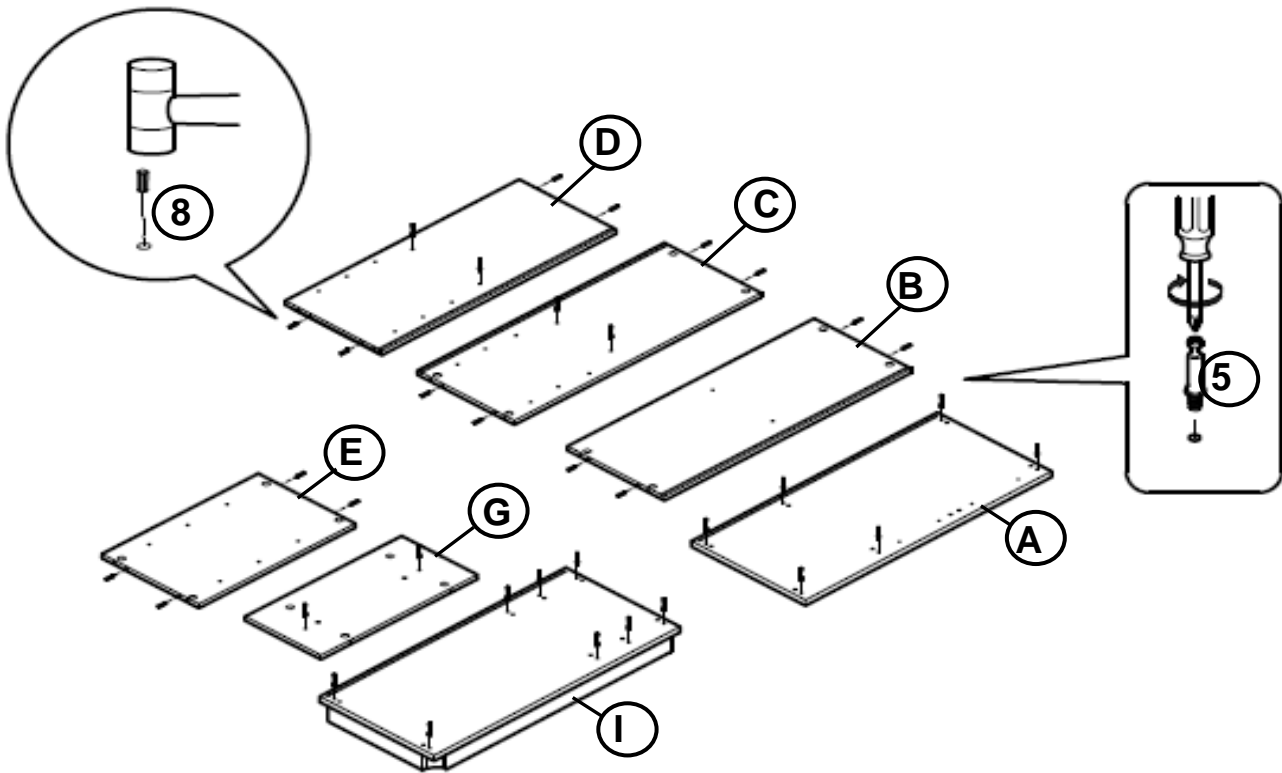
11	<b>FLAT HEAD SCREW 2</b> (M4 x 16mm - BLK)		16PCS
12	<b>DOOR STOPPER</b>		1PC
13	<b>FLAT HEAD SCREW 3</b> (M3 x 16mm - BLK)		1PC
14	<b>FLAT HEAD SCREW 4</b> (M3.5 x 12mm - RBW)		8PCS
15	<b>ALLEN WRENCH</b> (M4 - BLK)		1PC

### NOTE:

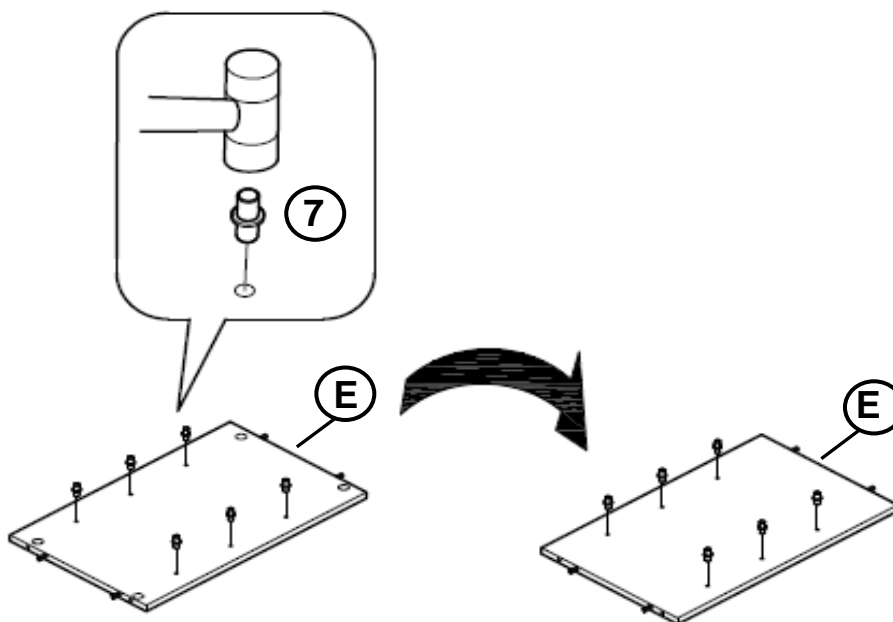
Phillips head screw driver is required in the assembly process; however, manufacturer does not provide this item.

ITEM: **183600**

**ASSEMBLY INSTRUCTIONS**  
**STEP 1**

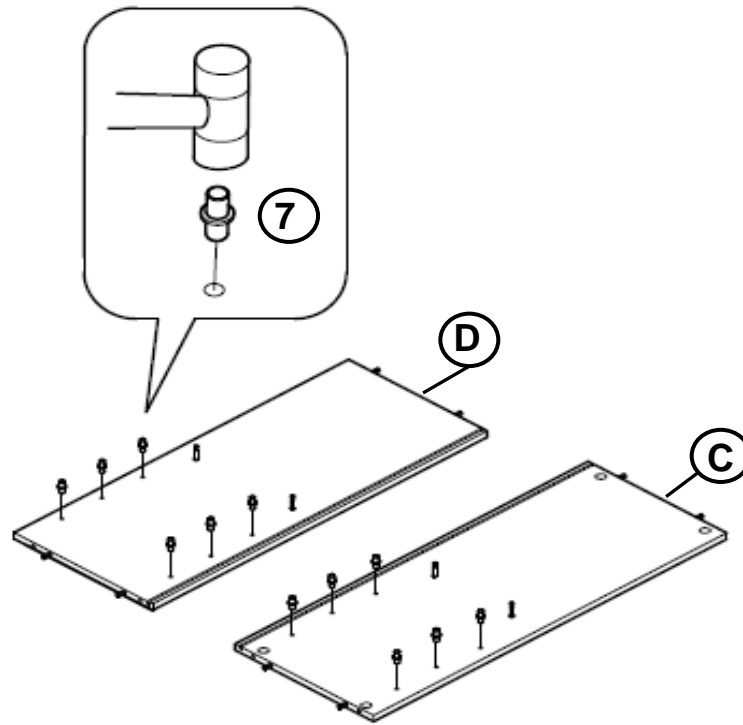


**STEP 2**

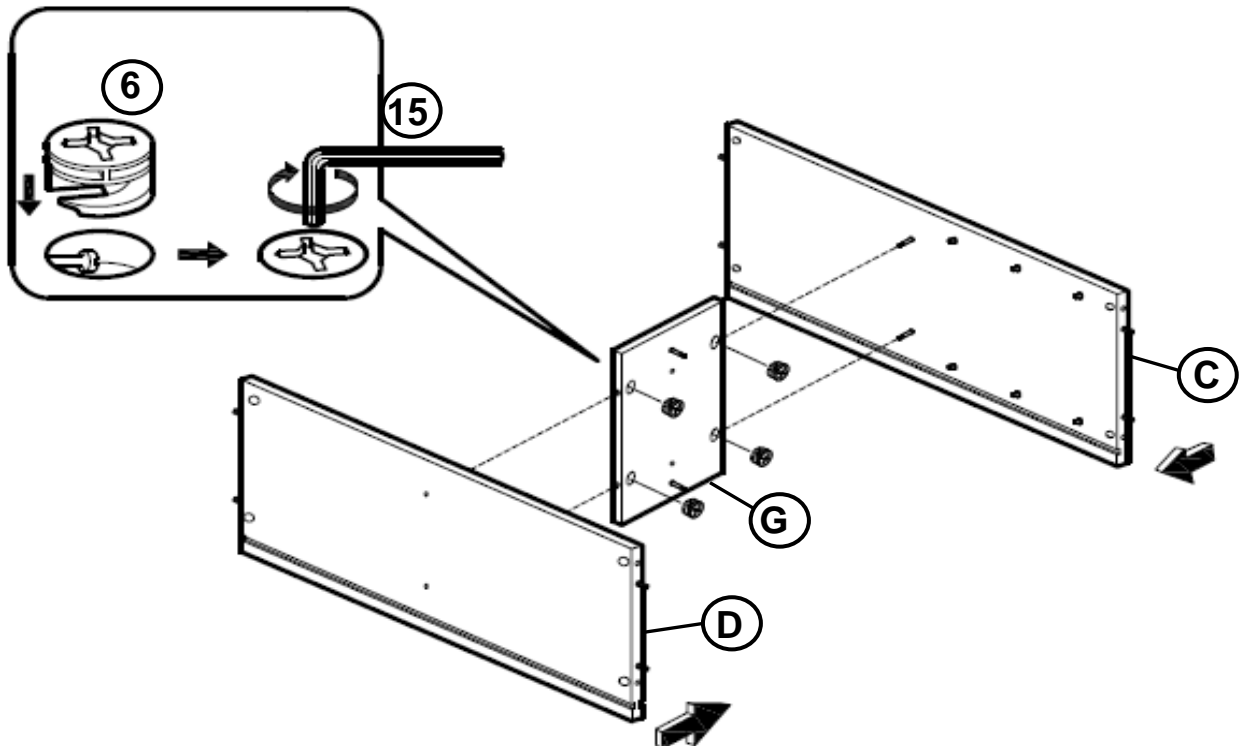


ITEM: **183600**

**ASSEMBLY INSTRUCTIONS**  
**STEP 3**

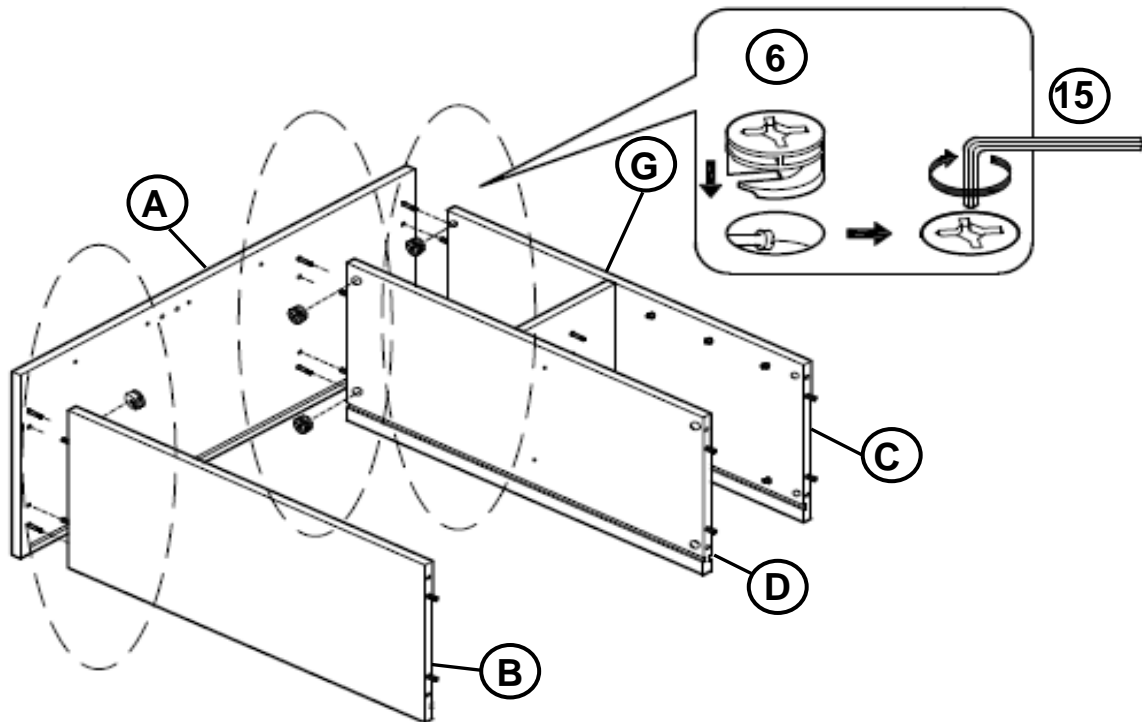


**STEP 4**

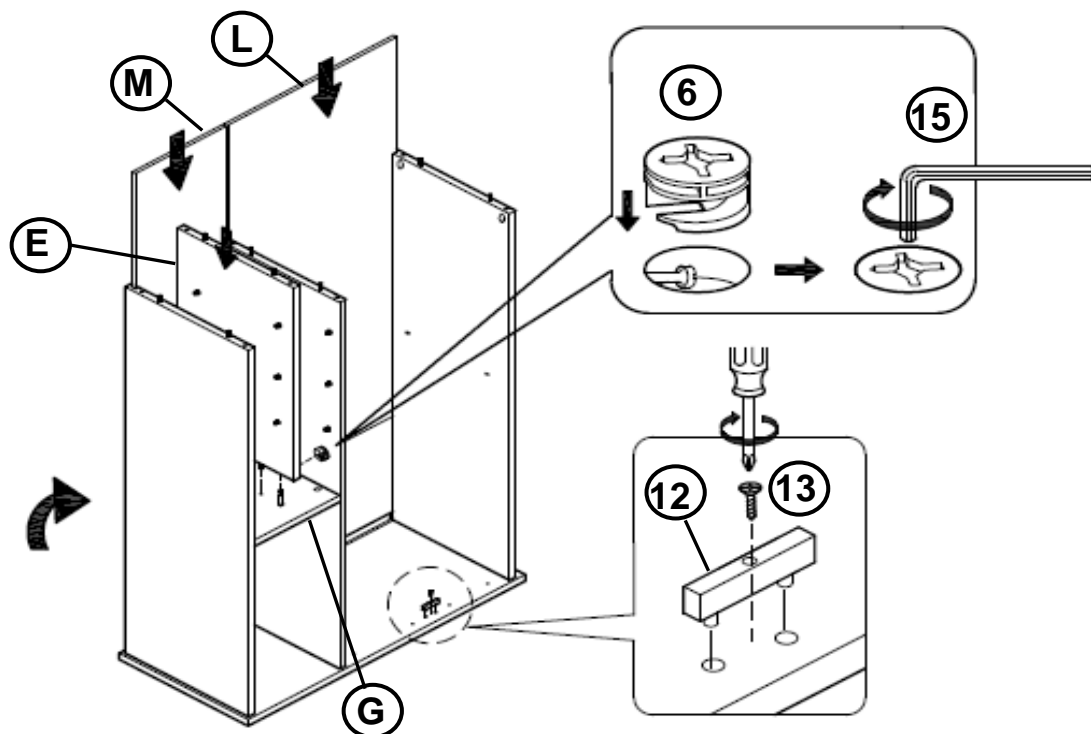


ITEM: **183600**

**ASSEMBLY INSTRUCTIONS**  
**STEP 5**



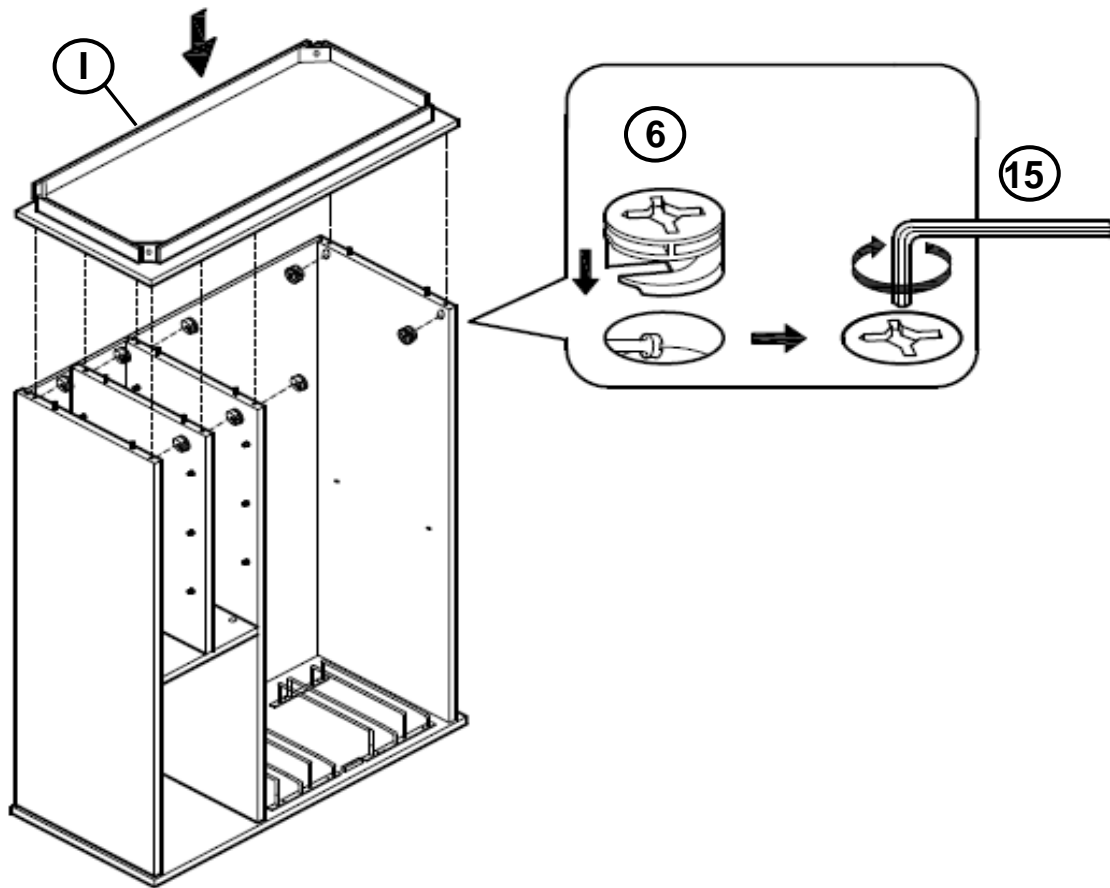
**STEP 6**



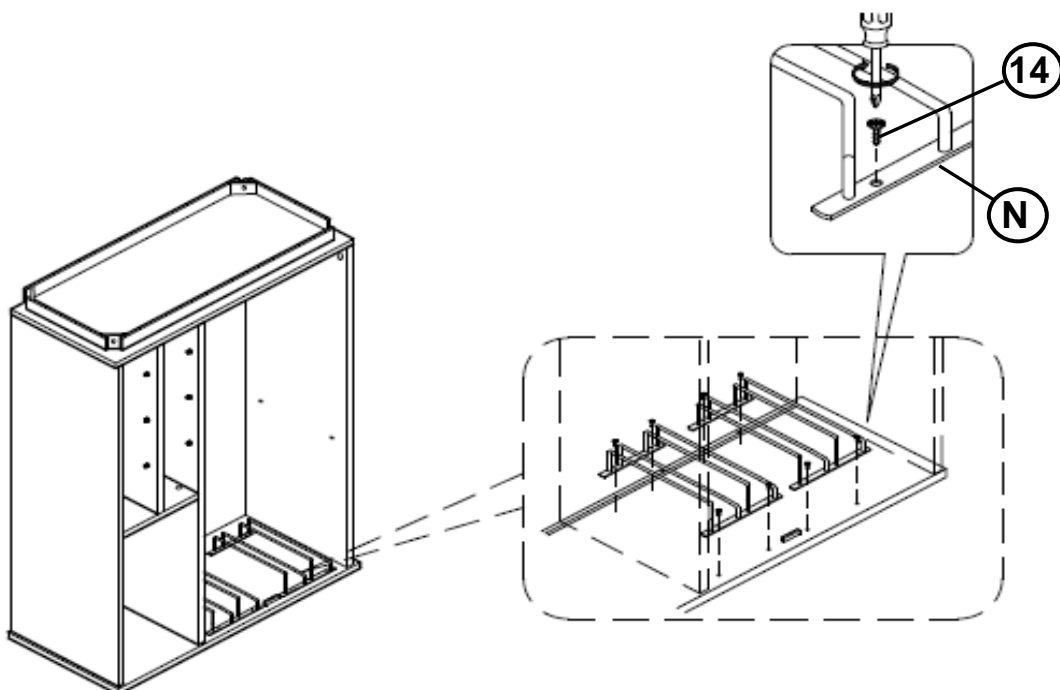


ITEM: **183600**

**ASSEMBLY INSTRUCTIONS**  
**STEP 7**



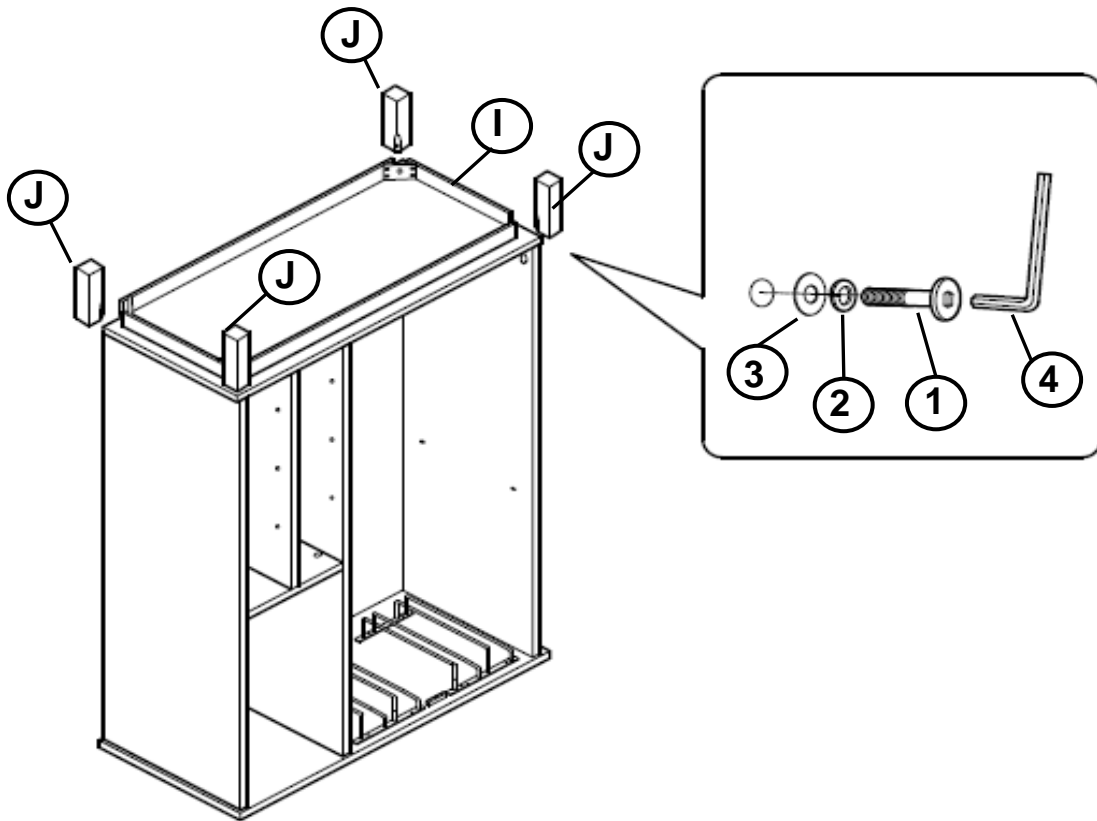
**STEP 8**



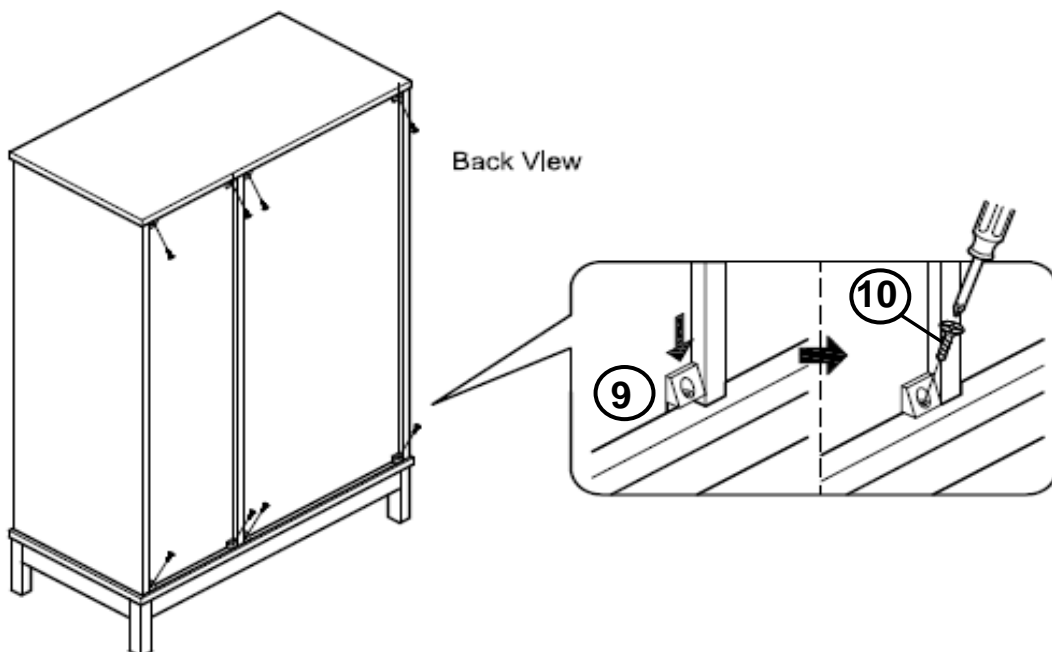
ITEM: **183600**



**ASSEMBLY INSTRUCTIONS**  
**STEP 9**

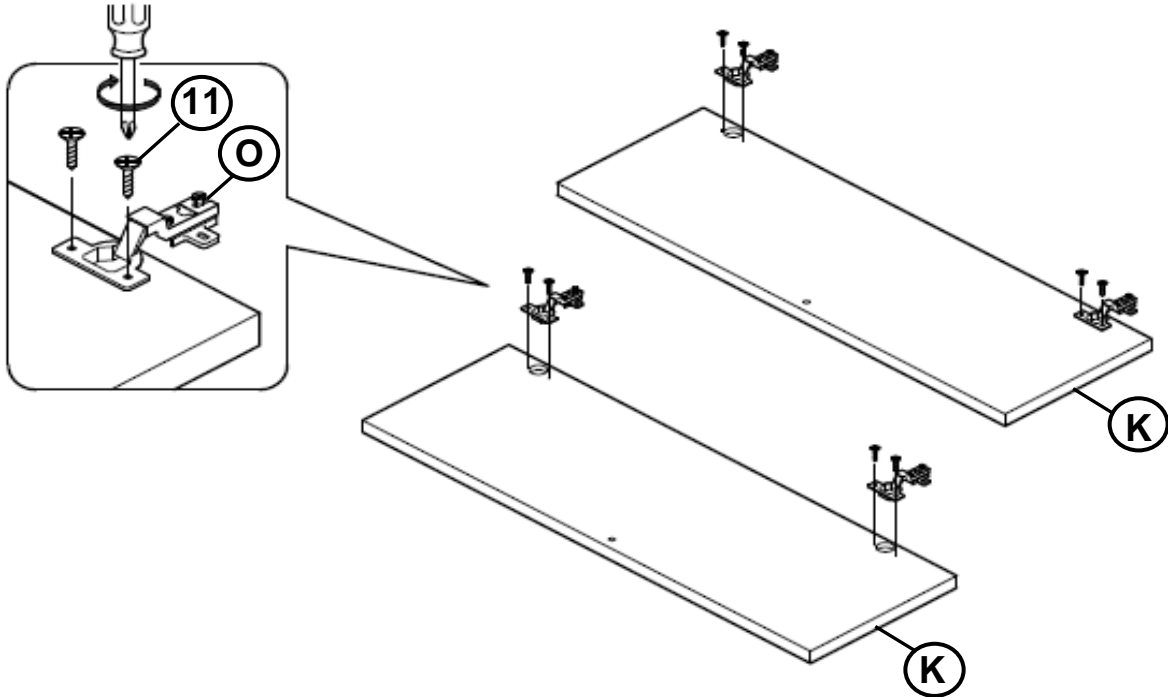


**STEP 10**

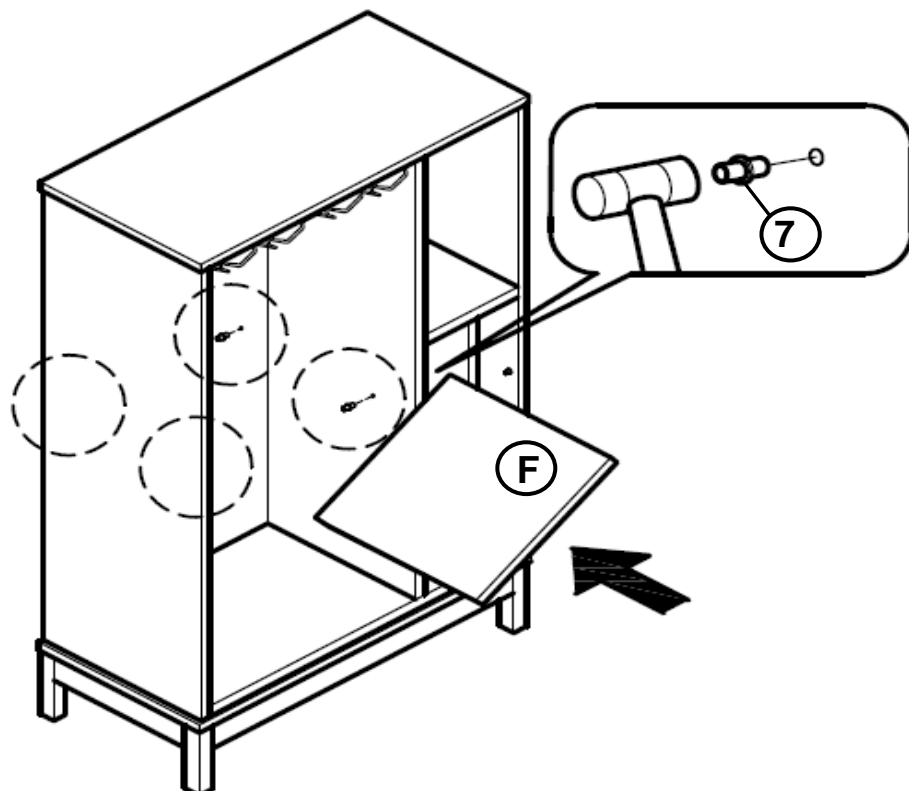


ITEM: **183600**

**ASSEMBLY INSTRUCTIONS**  
**STEP 11**

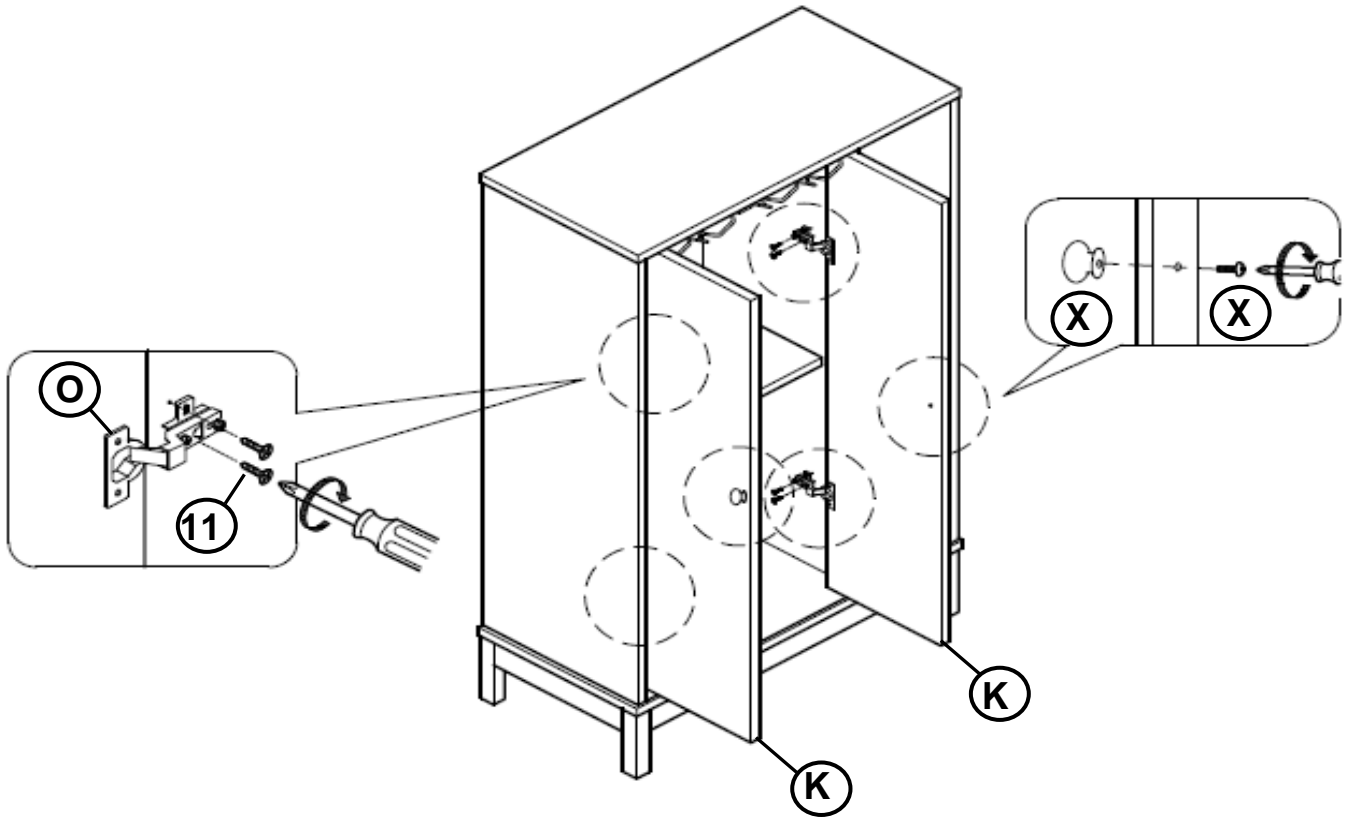


**STEP 12**

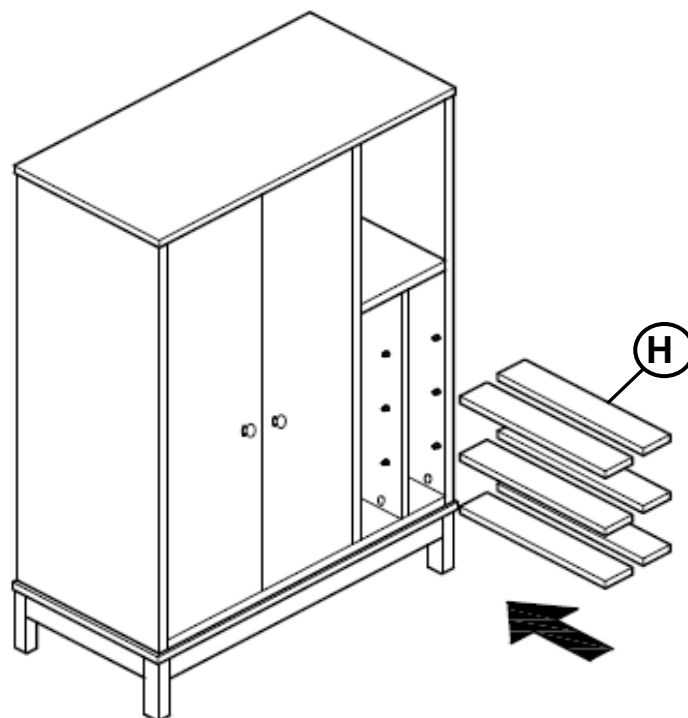


ITEM: **183600**

**ASSEMBLY INSTRUCTIONS**  
**STEP 13**



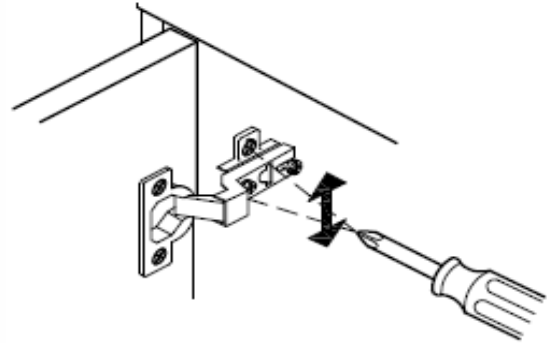
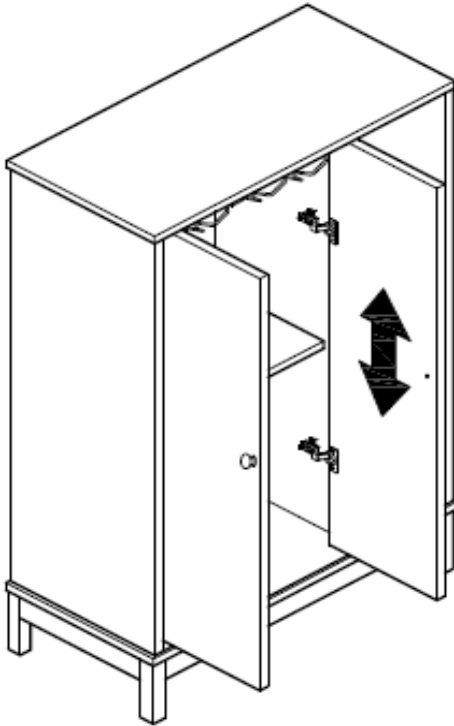
**STEP 14**



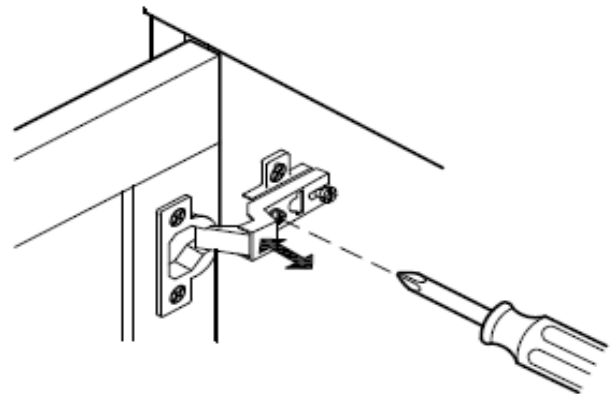
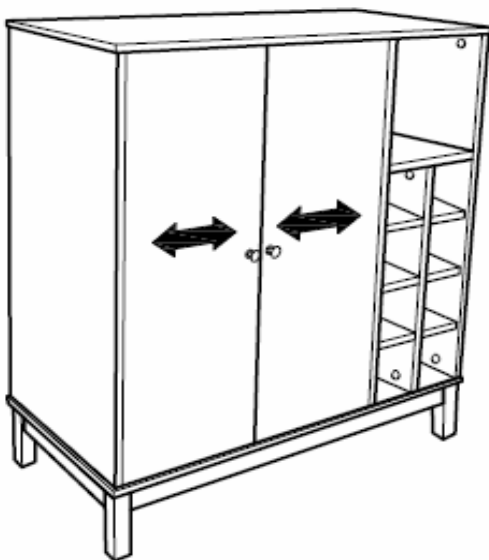
ITEM: **183600**



**ASSEMBLY INSTRUCTIONS**  
**STEP 15**



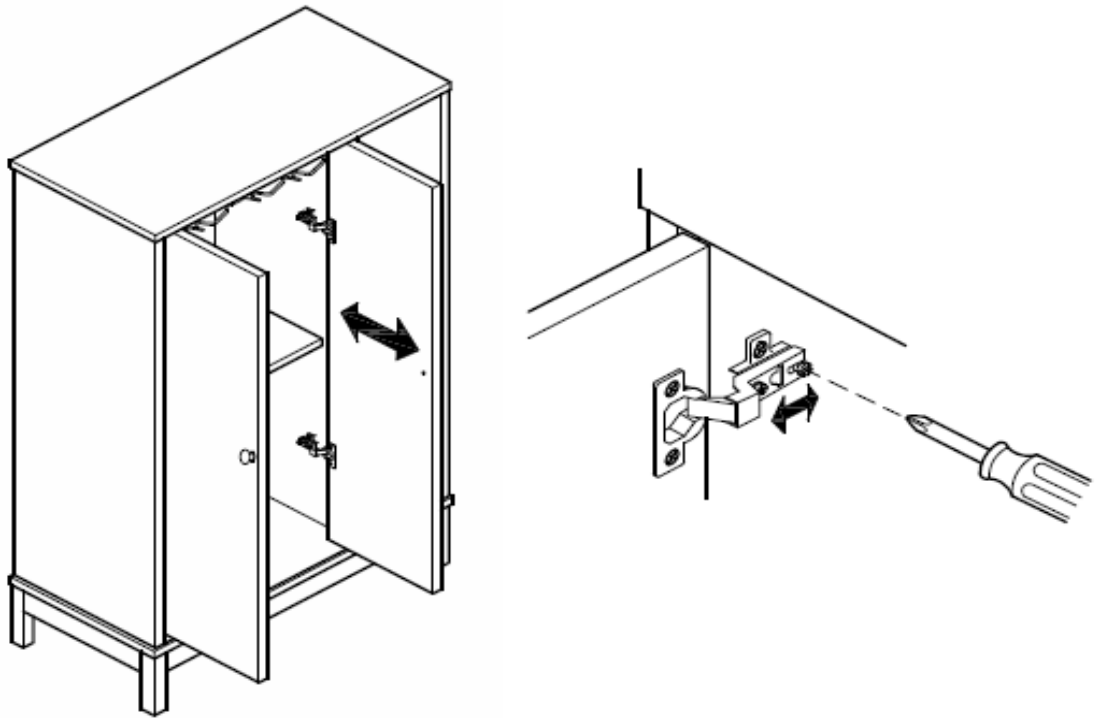
**STEP 16**



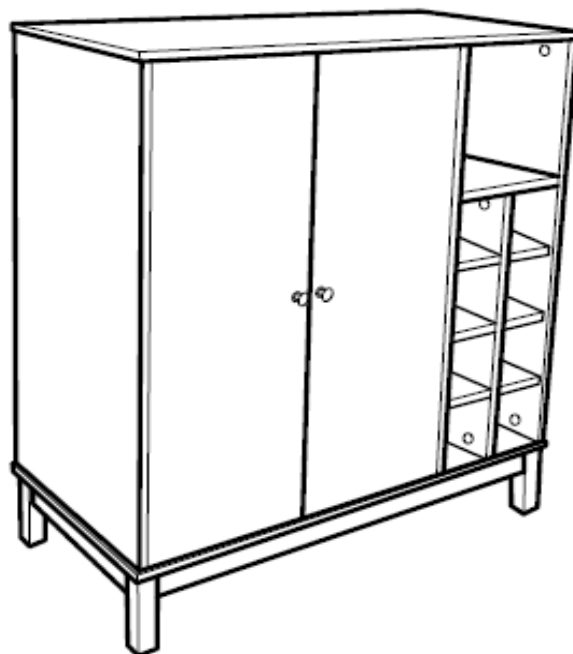
ITEM: **183600**



**ASSEMBLY INSTRUCTIONS**  
**STEP 17**



**STEP 18**  
**COMPLETE**

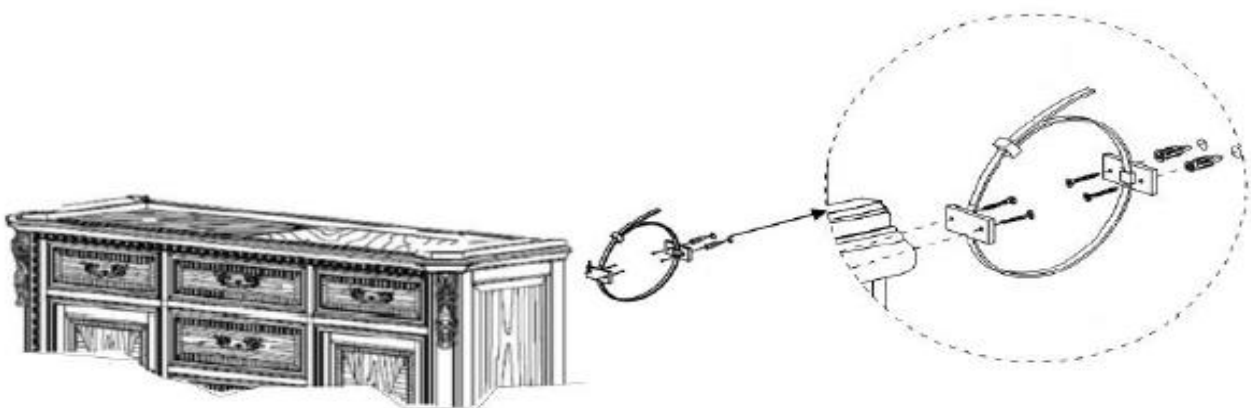


## ANTI-TIPPING INSTALLMENT INSTRUCTIONS FURNITURE TIPPING RESTRAINT

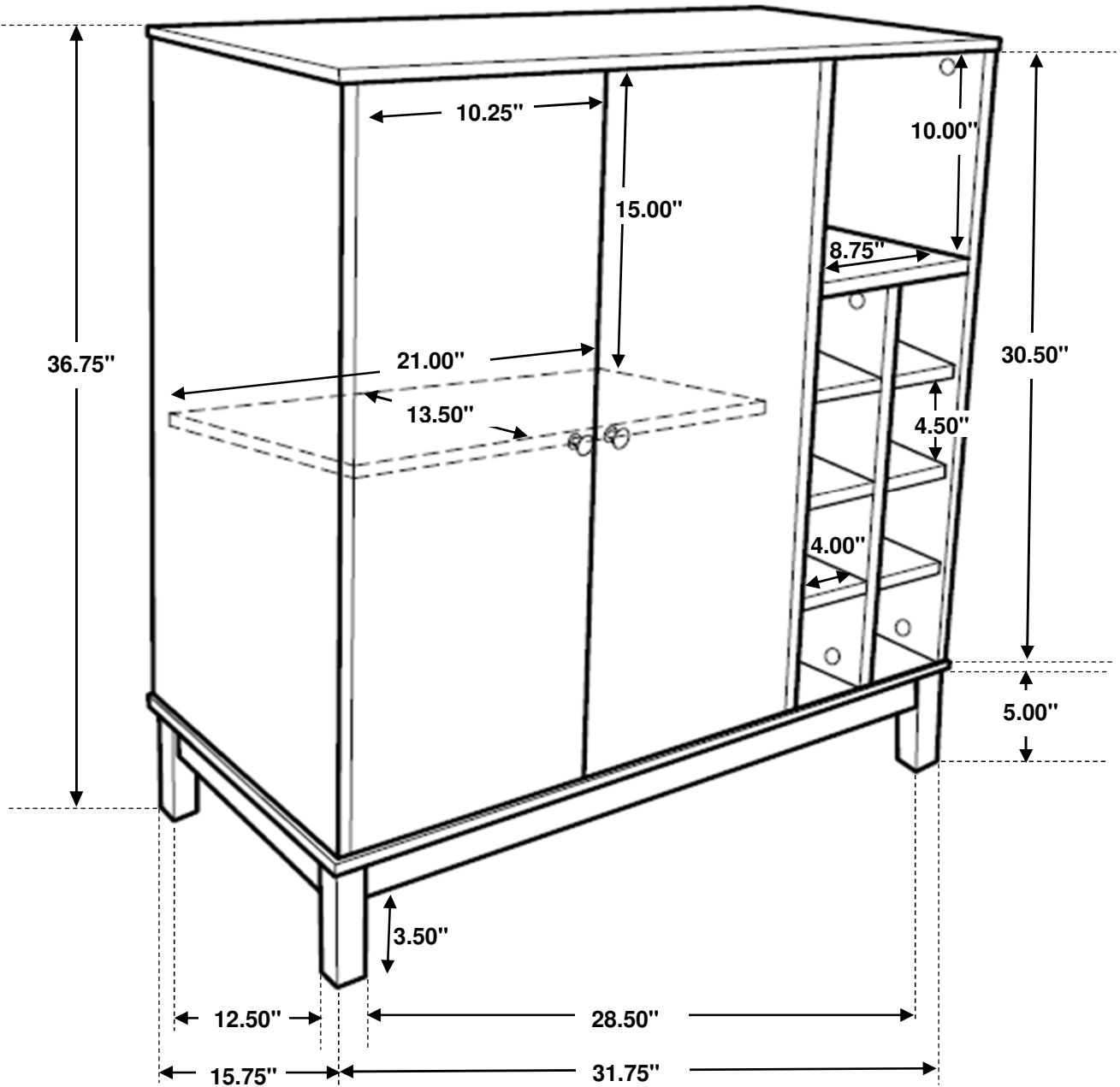
### WARNING

Injury may result from tipping furniture.  
This restraint may protect against tipping furniture.  
Do not allow children to climb on furniture.  
This restraint is not a substitute for proper adult supervision.  
Failure to detach this restraint before moving the furniture may result in injury and damage.

1. Attach one of the mounting brackets securely to the back edge of the furniture. Use the short screws.
2. Determine where the furniture is to be placed and mark location on the wall for the mounting bracket screw hole approximately 2" below the bracket mounted to the edge of the furniture.
3. Drill two 3/16" holes in the wall. Press the plastic wall plugs into the holes and gently tap until the flanges on the wall plugs are against the wall surface.
4. Position the bracket over the wall plugs and use the long screws to securely attach the bracket to the wall.
5. Place the furniture so the bracket on the back edge is in line with the bracket on the wall.
6. Lace an end of the cable tie down through each bracket. Bring both ends together and slide the beaded end of the cable tie through the keyhole shaped slot on the other end until snug. Pull down on the beaded end until it snap locks into the keyhole slot.
7. To double lock return the beaded end back through the keyhole as shown.
8. Check to make sure the cable tie is securely laced and locked to the brackets.



ITEM: **183600**



Note : Dimension tolerance  $\pm 5\%$