

**ASSEMBLY INSTRUCTIONS**  
**COASTER FINE FURNITURE**



*Fine Furniture for every stage of life*

**192542**  
**Dining Chair**

REVISION 0: 04/29/2021

REVISION 1: 08/11/2022

PAGE 1 OF 3

COASTERFURNITURE.COM

# ITEM:192542



## ASSEMBLY INSTRUCTIONS

### ASSEMBLY TIPS:

1. Remove hardware from box and sort by size.
2. Please check to see that all hardware and parts are present prior to start of assembly.
3. Please follow attached instructions in the same sequence as numbered to assure fast & easy assembly.

### Warning !!

1. Don't attempt to repair or modify parts that are broken or defective. Please contact the store immediately.
2. This product is for home use only and not intended for commercial establishment.

**ASSEMBLY TIME**

**15 MINUTES**

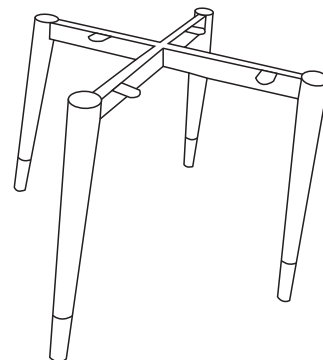
### PARTS IDENTIFICATION

A BACK AND SEAT



1 PC

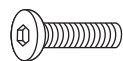
B BASE



1PC

### HARDWARE IDENTIFICATION

1 BOLT M8X25MM



4pcs

2 WASHER Ø6X20X2MM



4pcs

3 ALLEN WRENCH 5MM



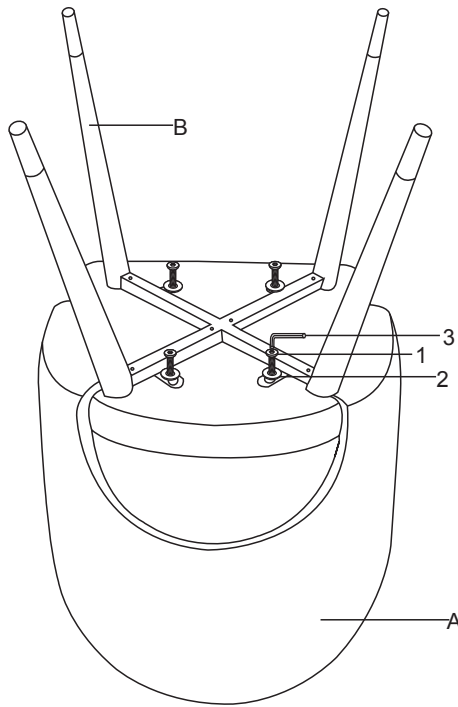
1pc

ITEM: **192542**

**ASSEMBLY INSTRUCTIONS**

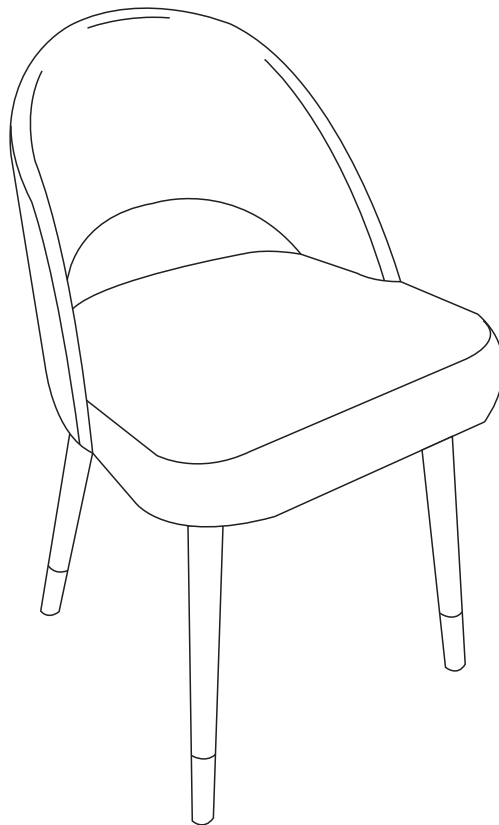


STEP 1

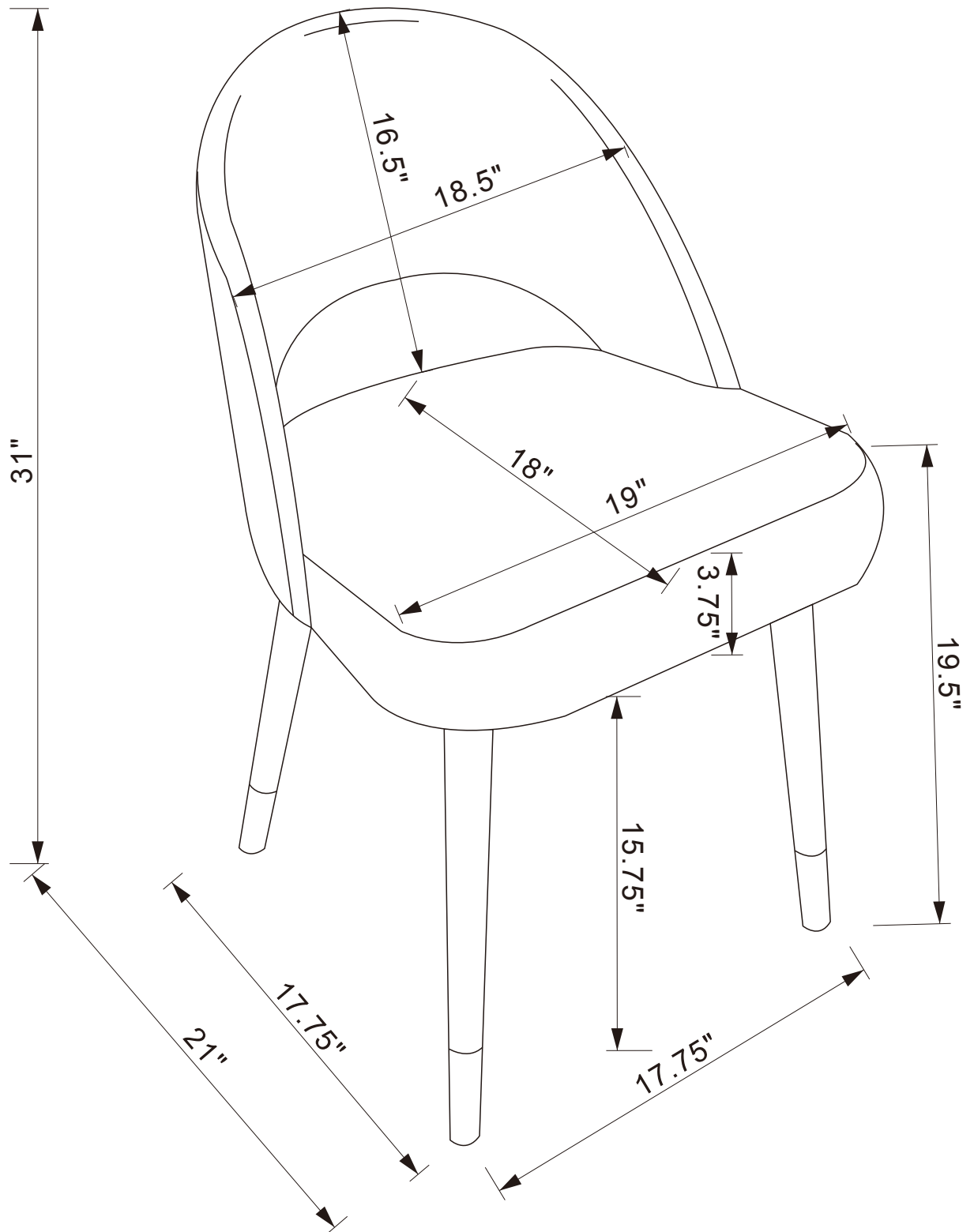


STEP 2

COMPLETE



# ITEM:192542



Note:Dimension tolerance  $\pm 5\%$