

ASSEMBLY INSTRUCTIONS
COASTER FINE FURNITURE



Fine Furniture for every stage of life

192549
Counter Height Stool

REVISION 0: 04/29/2021

REVISION 1: 08/11/2022

PAGE 1 OF 5

COASTERFURNITURE.COM

ITEM:192549



ASSEMBLY INSTRUCTIONS

ASSEMBLY TIPS:

1. Remove hardware from box and sort by size.
2. Please check to see that all hardware and parts are present prior to start of assembly.
3. Please follow attached instructions in the same sequence as numbered to assure fast & easy assembly.

Warning !!

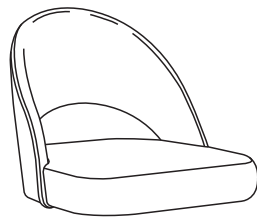
1. Don't attempt to repair or modify parts that are broken or defective. Please contact the store immediately.
2. This product is for home use only and not intended for commercial establishment.

ASSEMBLY TIME

15 MINUTES

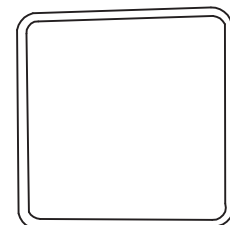
PARTS IDENTIFICATION

A BACK AND SEAT



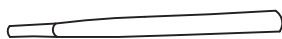
1 PC

D FOOTREST



1PC

B LEG



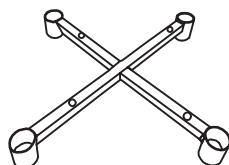
4PCS

E GOLDEN LEG RING



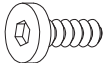



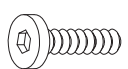
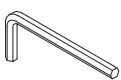
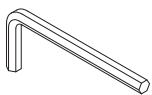
4PCS

C CROSSBAR



1 PC

HARDWARE IDENTIFICATION

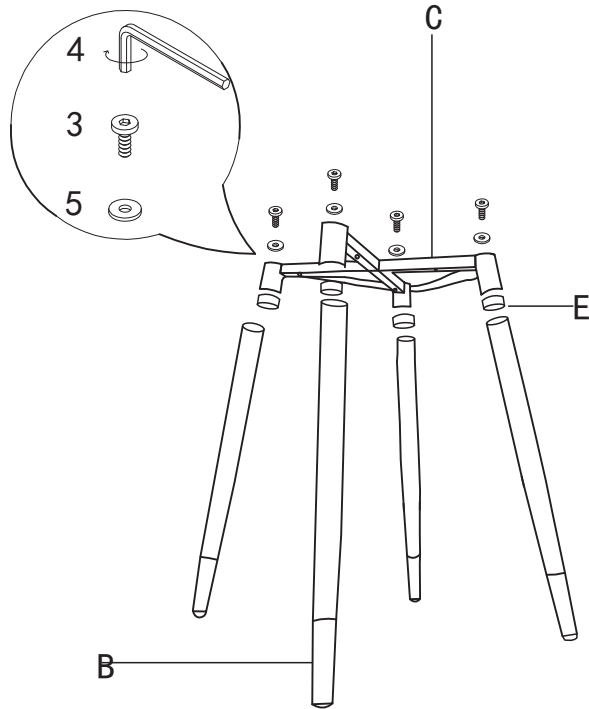
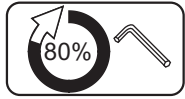
1 BOLT M6X35MM		4pcs	5 BOLT WASHER Ø8X20X20MM		4pcs
2 BOLT M6X25MM		4pcs	6 WASHER Ø6X20X2MM		4pcs
3 BOLT M8X55MM		4pcs	7 ALLEN WRENCH 4MM		1pc
4 ALLEN WRENCH 5MM		1pc			

ITEM: 192549

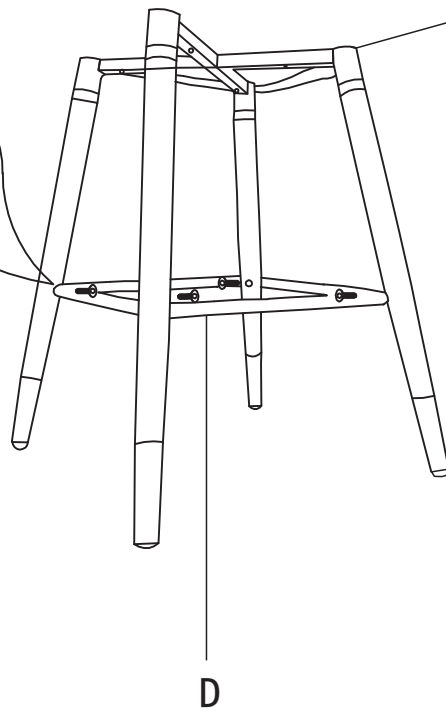
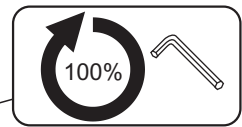
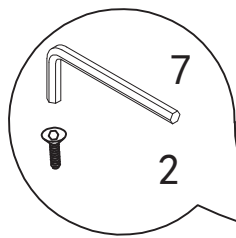
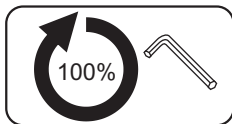
ASSEMBLY INSTRUCTIONS



STEP 1



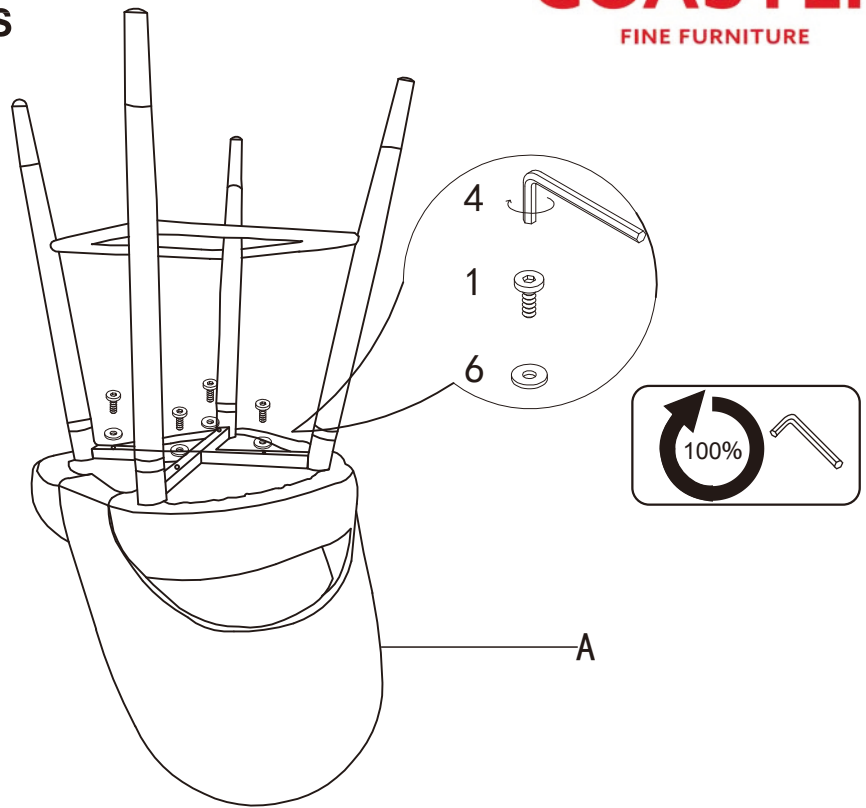
STEP 2



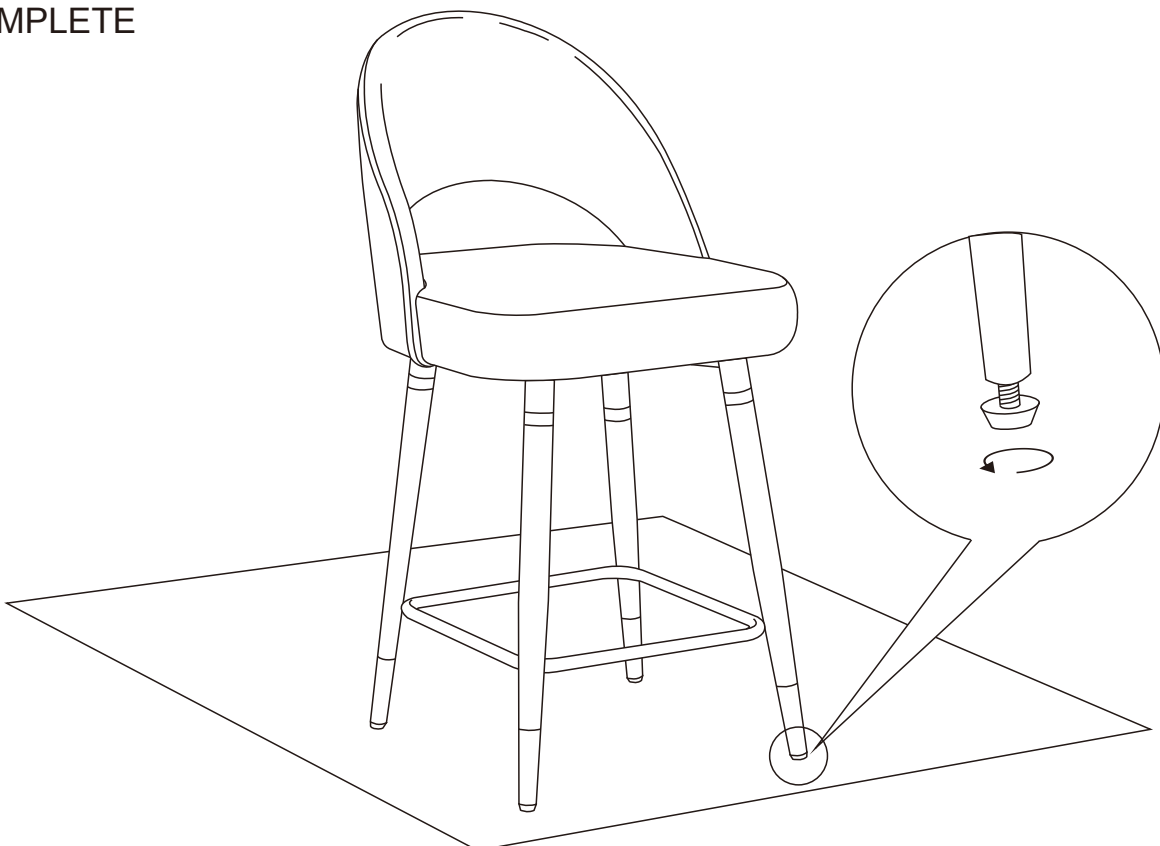
ITEM: **192549**

ASSEMBLY INSTRUCTIONS

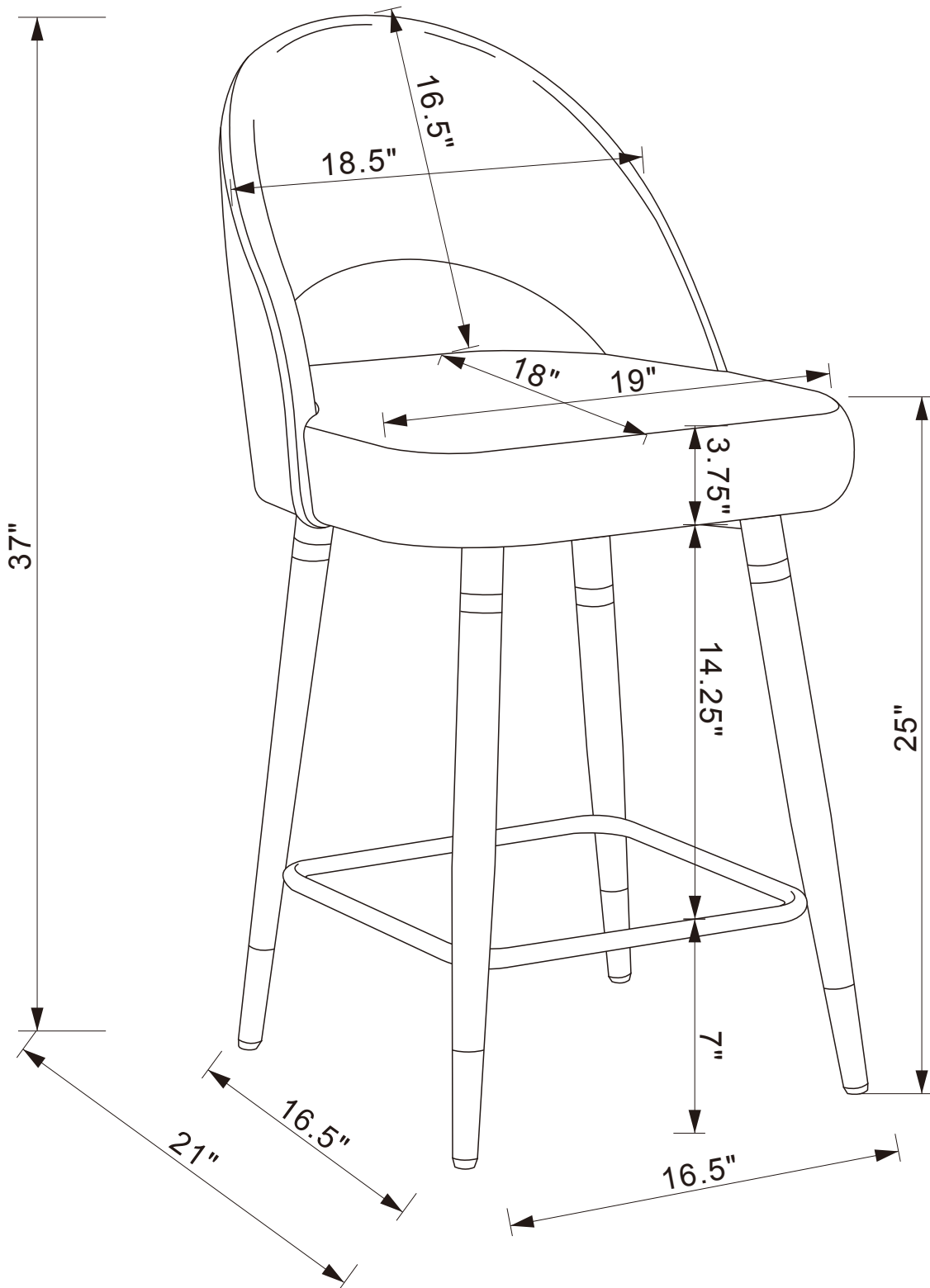
STEP 3



STEP 4
COMPLETE



ITEM:192549



Note:Dimension tolerance $\pm 5\%$