

ASSEMBLY INSTRUCTIONS
COASTER FINE FURNITURE



Fine Furniture for every stage of life

193562
Dining Chair

REVISION 0: 04/29/2021

REVISION 1: 08/11/2022

PAGE 1 OF 3

COASTERFURNITURE.COM

ITEM:193562



ASSEMBLY INSTRUCTIONS

ASSEMBLY TIPS:

1. Remove hardware from box and sort by size.
2. Please check to see that all hardware and parts are present prior to start of assembly.
3. Please follow attached instructions in the same sequence as numbered to assure fast & easy assembly.

Warning !!

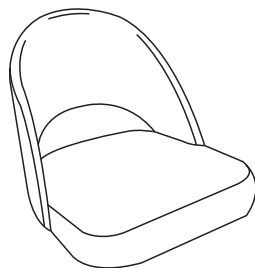
1. Don't attempt to repair or modify parts that are broken or defective. Please contact the store immediately.
2. This product is for home use only and not intended for commercial establishment.

ASSEMBLY TIME

15 MINUTES

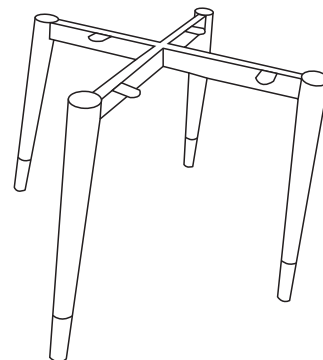
PARTS IDENTIFICATION

A BACK AND SEAT



1 PC

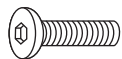
B BASE



1PC

HARDWARE IDENTIFICATION

1 BOLT M8X25MM



4pcs

2 WASHER Ø6X20X2MM



4pcs

3 ALLEN WRENCH 5MM



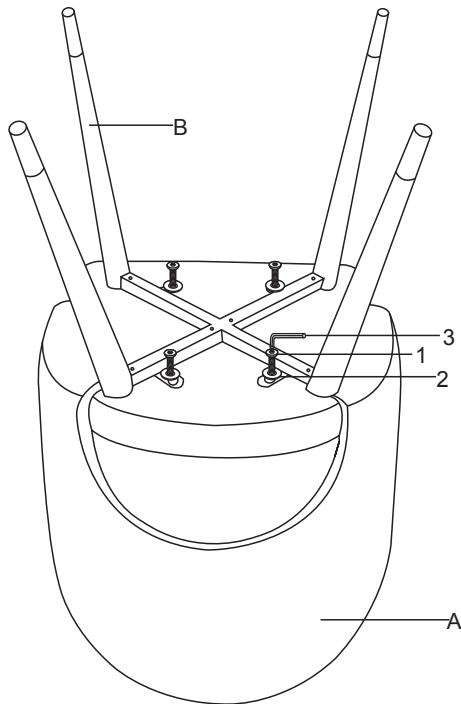
1pc

ITEM: **193562**

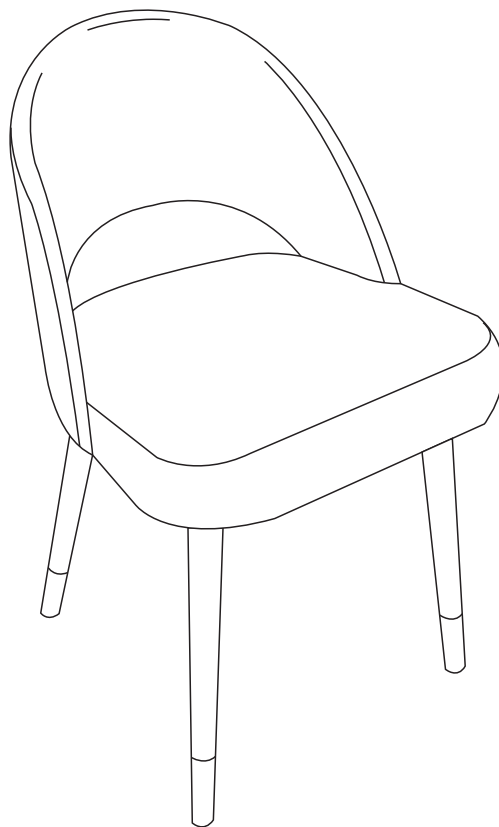
ASSEMBLY INSTRUCTIONS



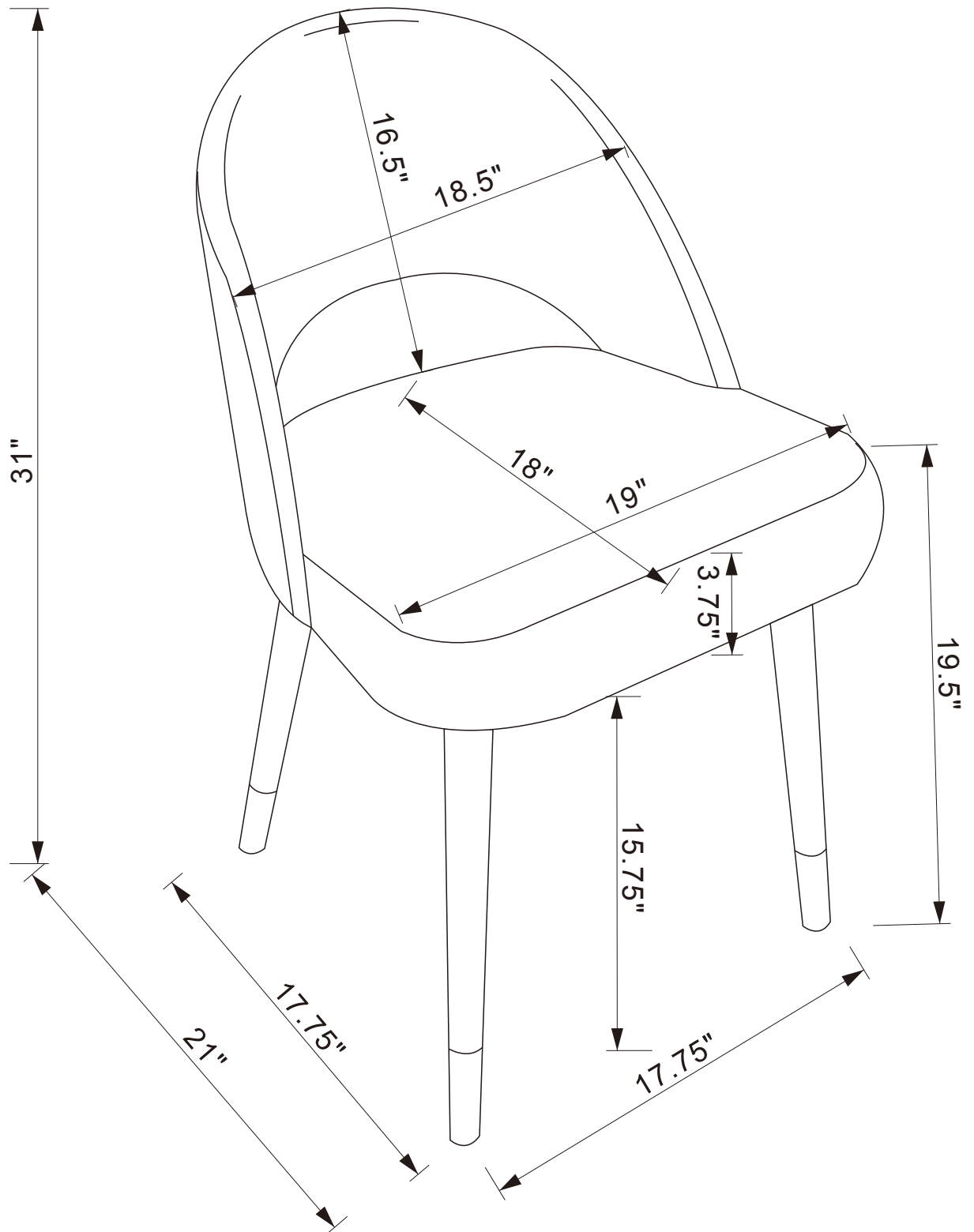
STEP 1



STEP 2
COMPLETE



ITEM:193562



Note: Dimension tolerance $\pm 5\%$