

**ASSEMBLY INSTRUCTIONS**  
**COASTER FINE FURNITURE**



*Fine Furniture for every stage of life*

**193569**  
**Counter Height Stool**

REVISION 0: 04/29/2021

REVISION 1: 08/11/2022

PAGE 1 OF 5

COASTERFURNITURE.COM

# ITEM:193569



## ASSEMBLY INSTRUCTIONS

### ASSEMBLY TIPS:

1. Remove hardware from box and sort by size.
2. Please check to see that all hardware and parts are present prior to start of assembly.
3. Please follow attached instructions in the same sequence as numbered to assure fast & easy assembly.

### Warning !!

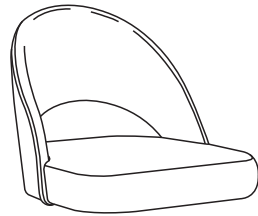
1. Don't attempt to repair or modify parts that are broken or defective. Please contact the store immediately.
2. This product is for home use only and not intended for commercial establishment.

**ASSEMBLY TIME**

**15 MINUTES**

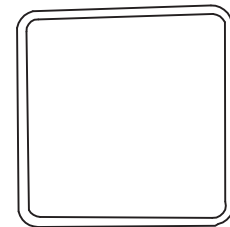
### PARTS IDENTIFICATION

A BACK AND SEAT



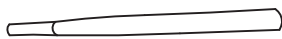
1 PC

D FOOTREST



1PC

B LEG



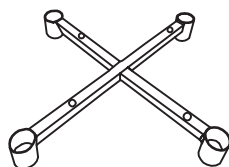
4PCS

E GOLDEN LEG RING



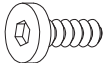



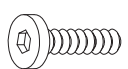
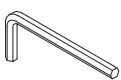
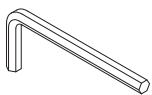
4PCS

C CROSSBAR



1 PC

## HARDWARE IDENTIFICATION

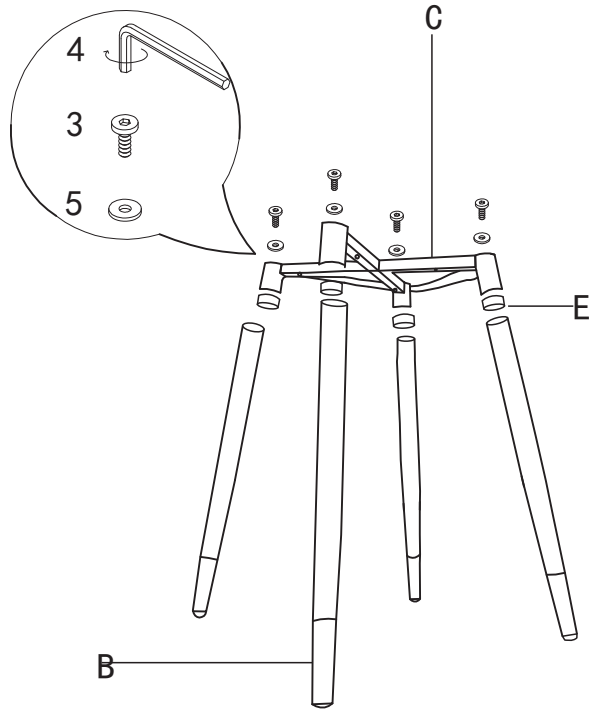
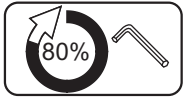
1 BOLT M6X35MM		4pcs	5 BOLT WASHER Ø8X20X20MM		4pcs
2 BOLT M6X25MM		4pcs	6 WASHER Ø6X20X2MM		4pcs
3 BOLT M8X55MM		4pcs	7 ALLEN WRENCH 4MM		1pc
4 ALLEN WRENCH 5MM		1pc			

# ITEM: 193569

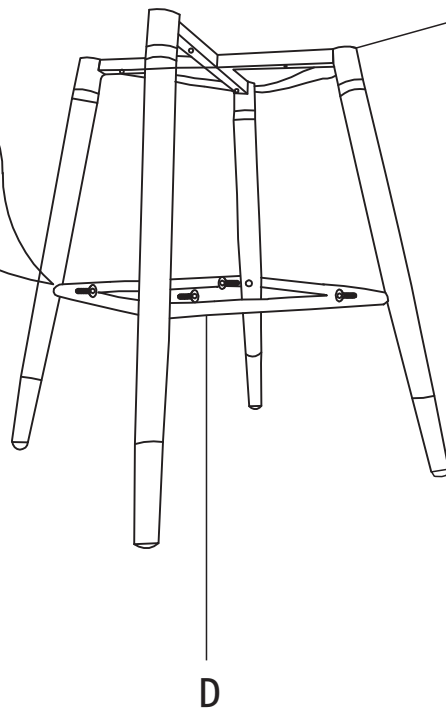
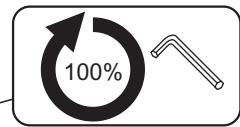
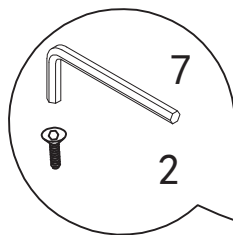
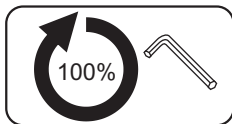
## ASSEMBLY INSTRUCTIONS



### STEP 1



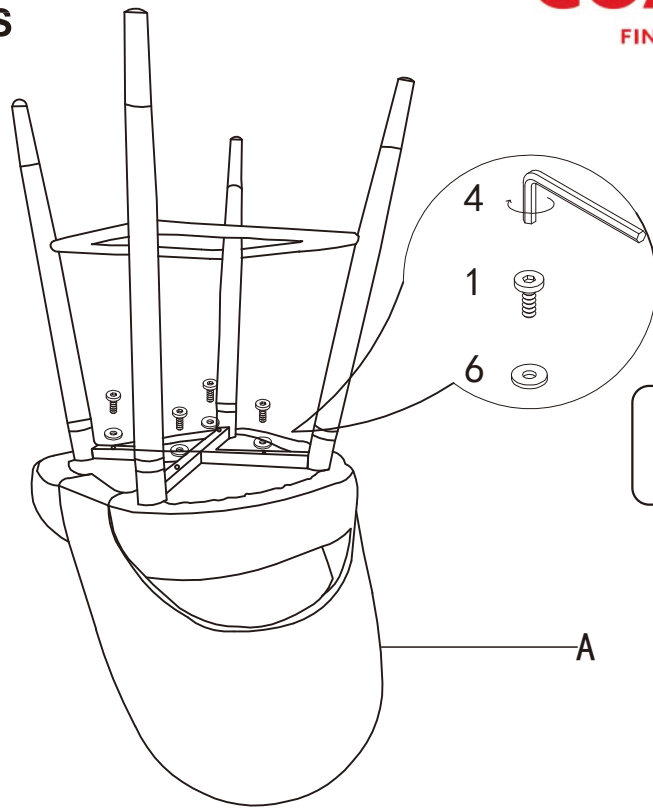
### STEP 2



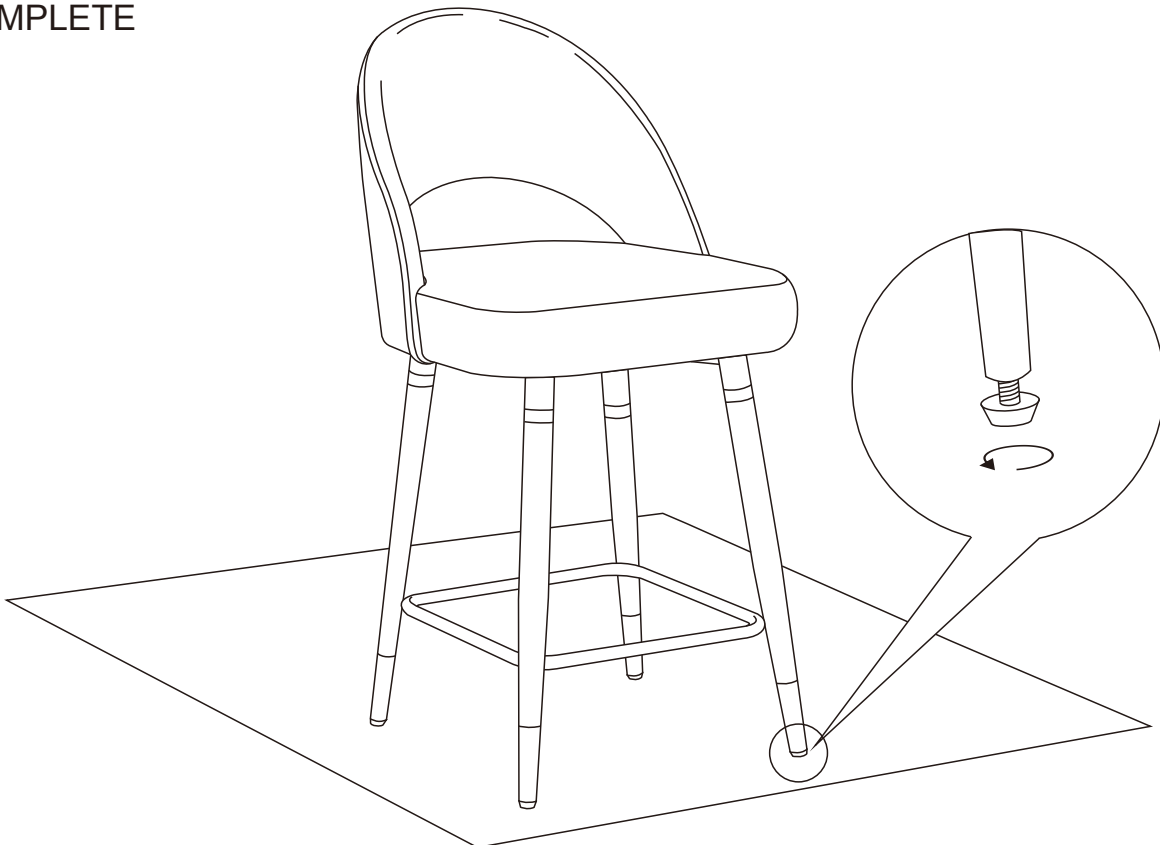
ITEM: **193569**

**ASSEMBLY INSTRUCTIONS**

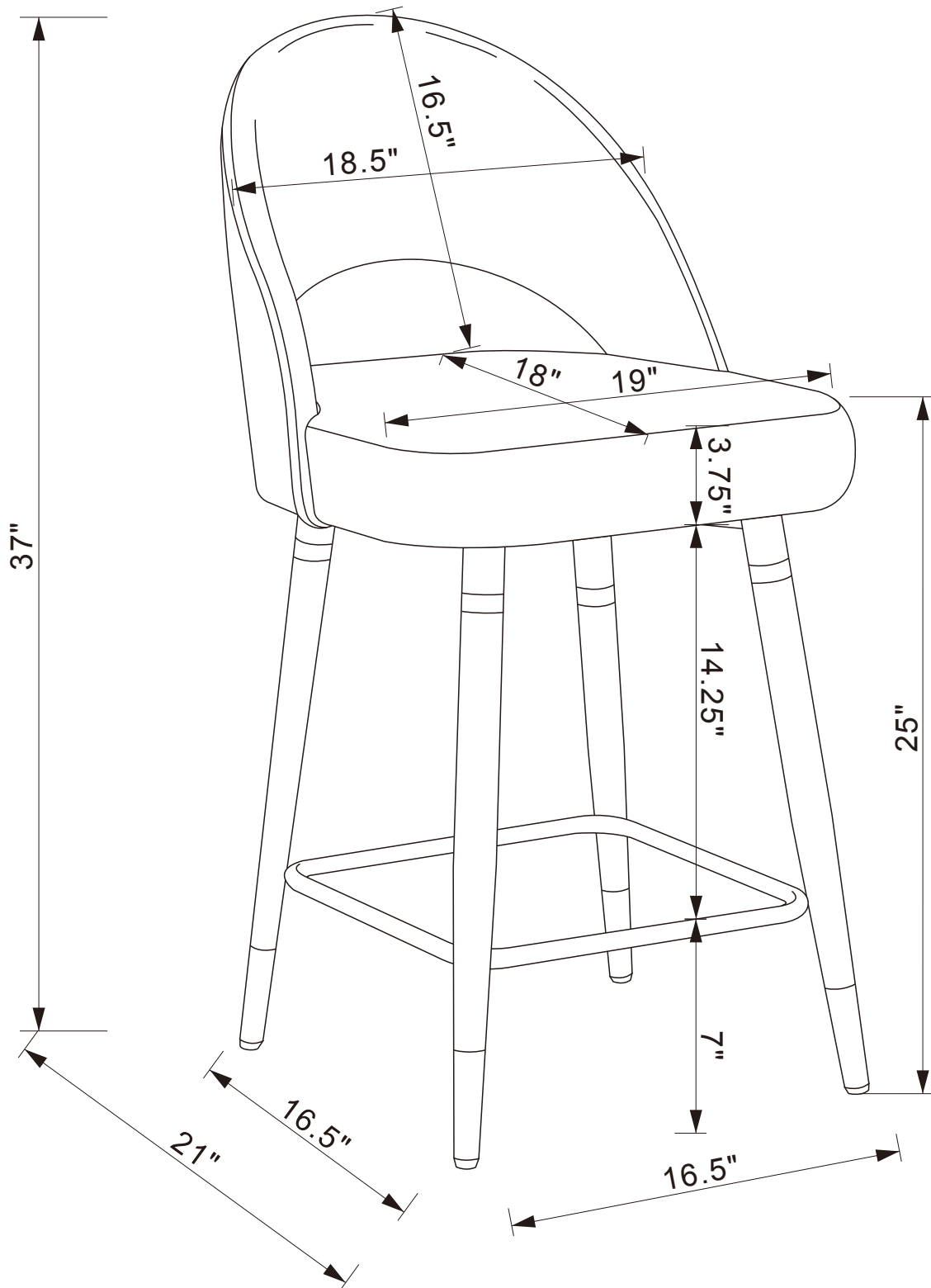
**STEP 3**



**STEP 4**  
**COMPLETE**



# ITEM:193569



Note: Dimension tolerance  $\pm 5\%$