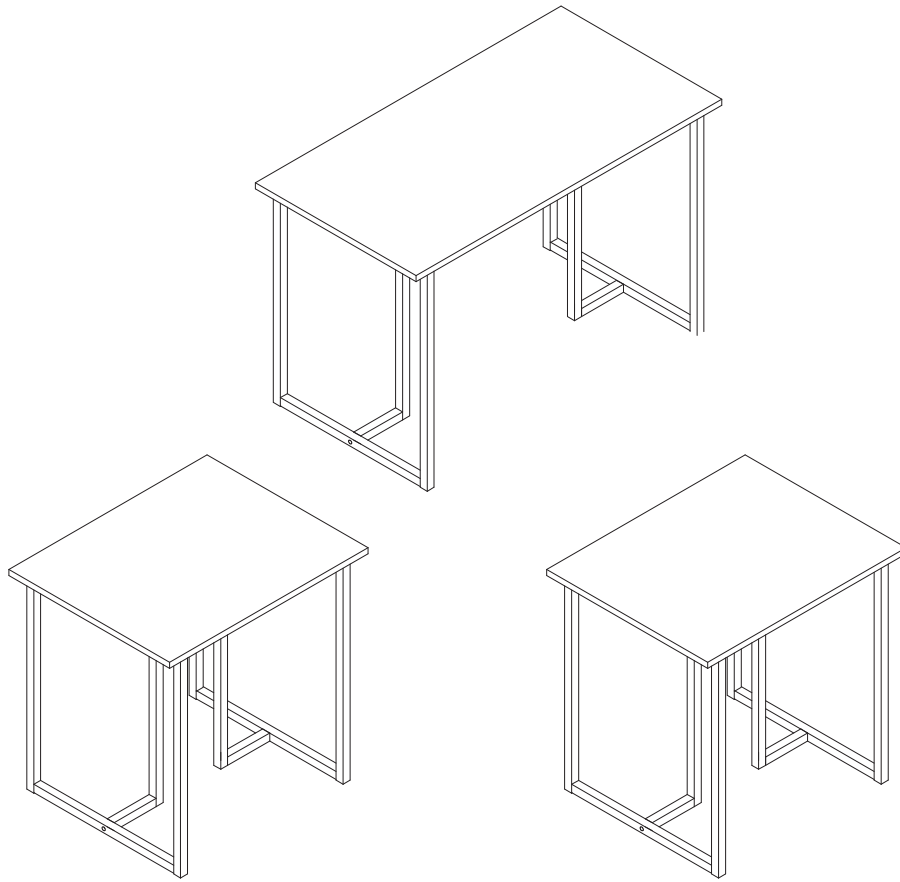


ASSEMBLY INSTRUCTIONS
COASTER FINE FURNITURE



Fine Furniture for every stage of life

753390
3PC Set

REVISION 0:05/11/2020

COASTERFURNITURE.COM

ITEM: 753390

ASSEMBLY INSTRUCTIONS



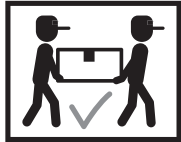
ASSEMBLY TIPS:

1. Remove hardware from box and sort by size.
2. Please check to see that all hardware and parts are present prior to start of assembly.
3. Please follow attached instructions in the same sequence as numbered to assure fast & easy assembly.



WARNING!



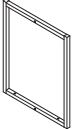
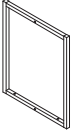
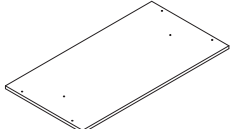
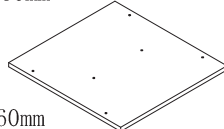
1. Don't attempt to repair or modify parts that are broken or defective. Please contact the store immediately.
2. This product is for home use only and not intended for commercial establishments.



ASSEMBLY TIME

10 MINUTES

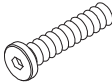
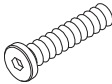
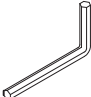
PARTS IDENTIFICATION

A	BIG LEG	445*265mm		2PCS
B	SMALL LEG	545*140mm		4PCS
C	BIG FRAME	536*445mm		2PCS
D	SMALL FRAME	440*545mm		4PCS
E	BIG TOP	1070*560mm		1PC
F	SMALL TOP	460*460mm		2PCS

ITEM:753390



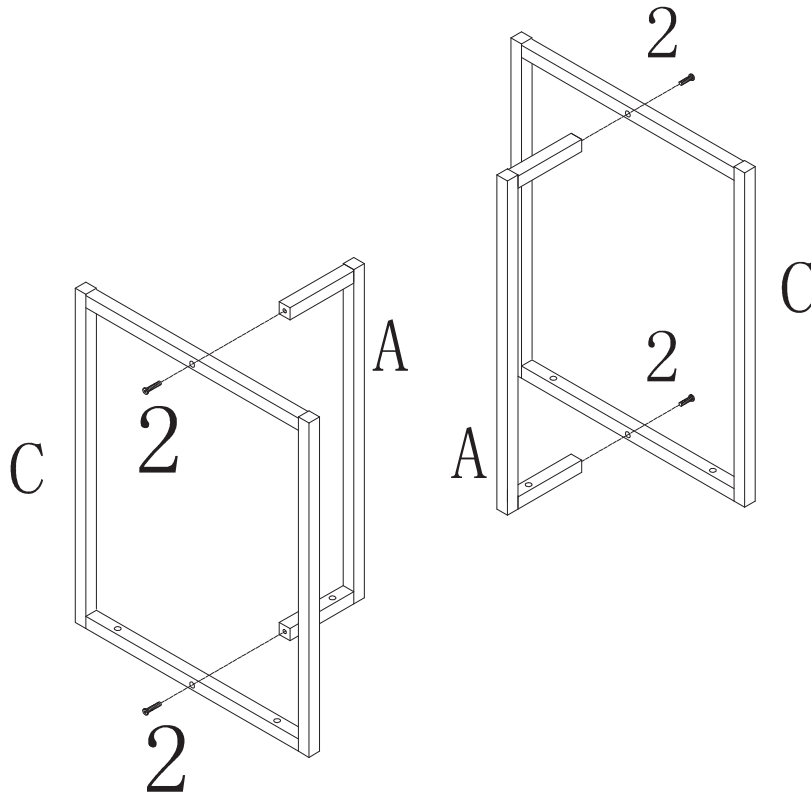
Z HARDWARE IDENTIFICATION

	DESCRIPTION	FIGURE	Q'TY
1	SHORT BOLT M6×30		18PCS
2	LONG BOLT M6×35		12PCS
3	ALLEN WRENCH		1PC

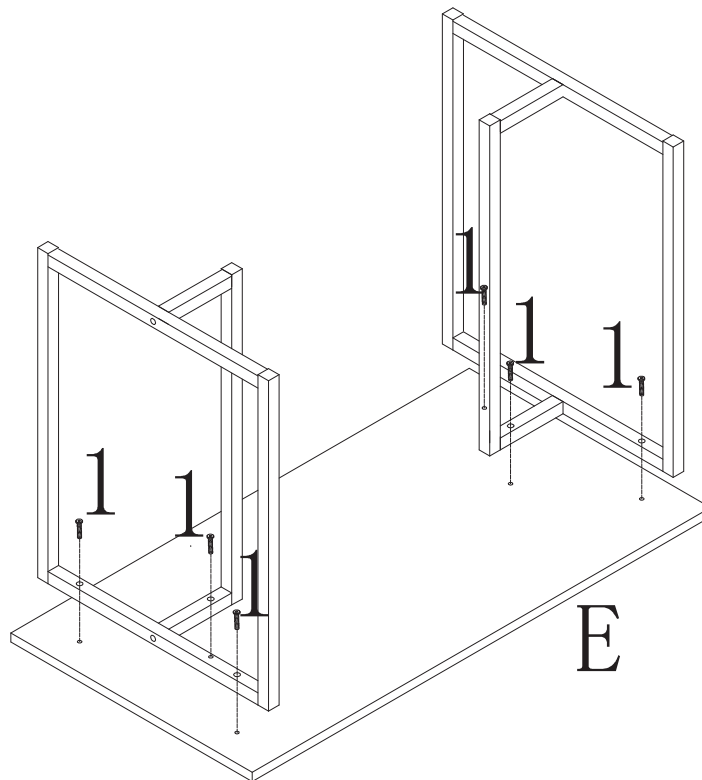
ITEM: 753390

ASSEMBLY INSTRUCTIONS

STEP 1



STEP 2

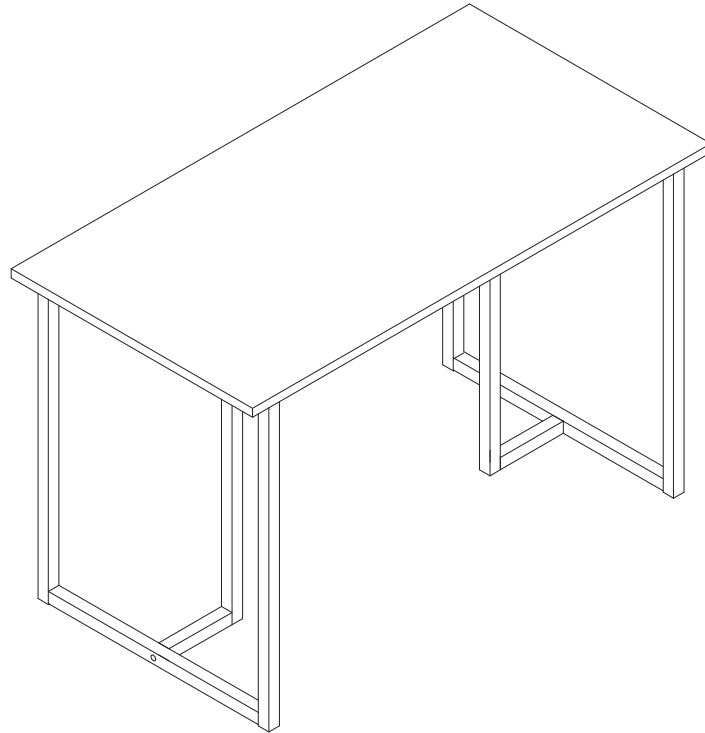


ITEM: 753390

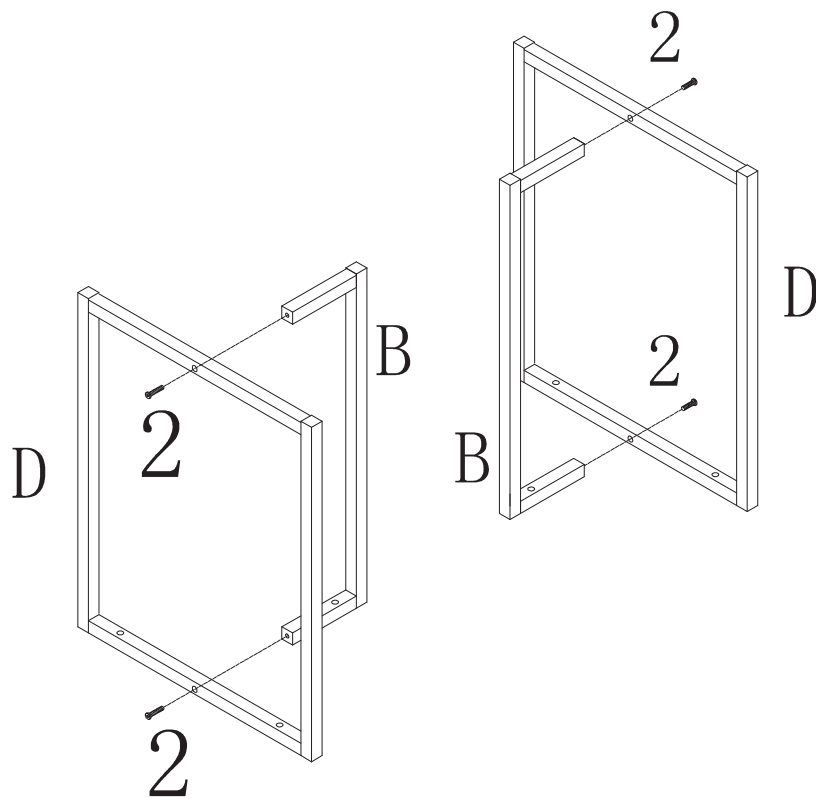


ASSEMBLY INSTRUCTIONS

STEP 3

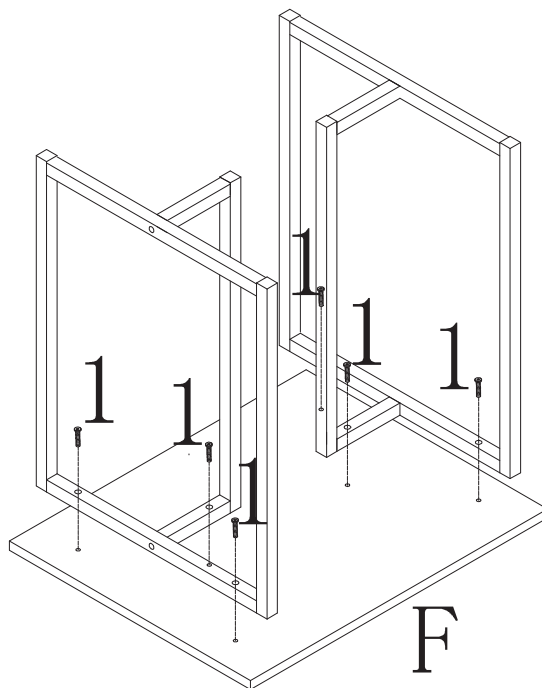


STEP 4

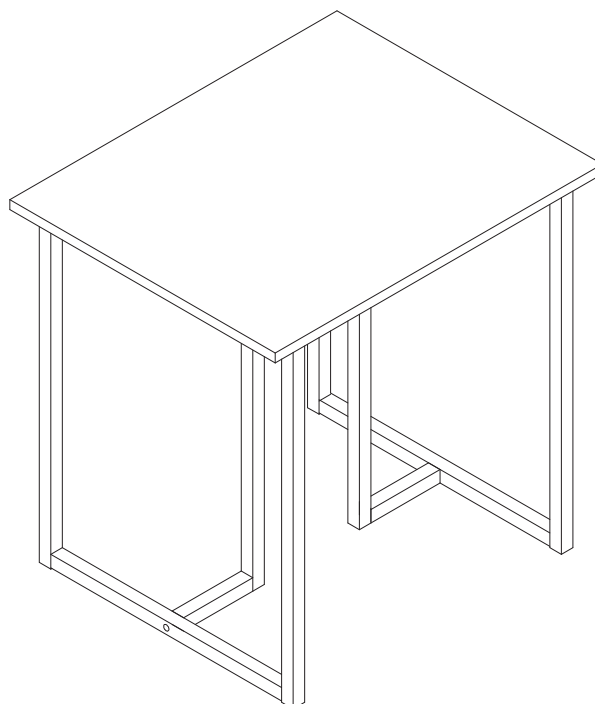


ITEM:753390

STEP5

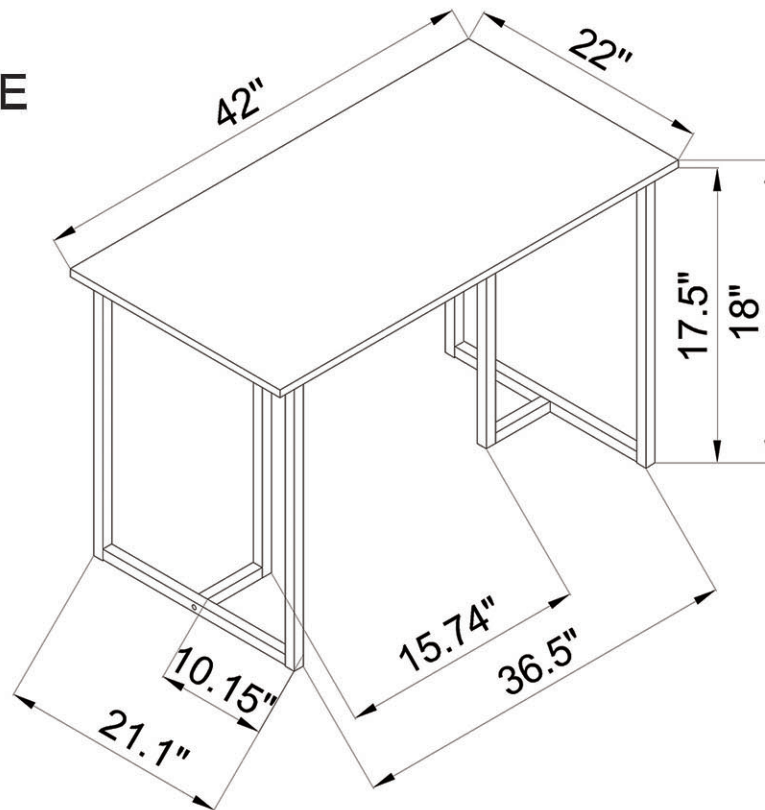


STEP6

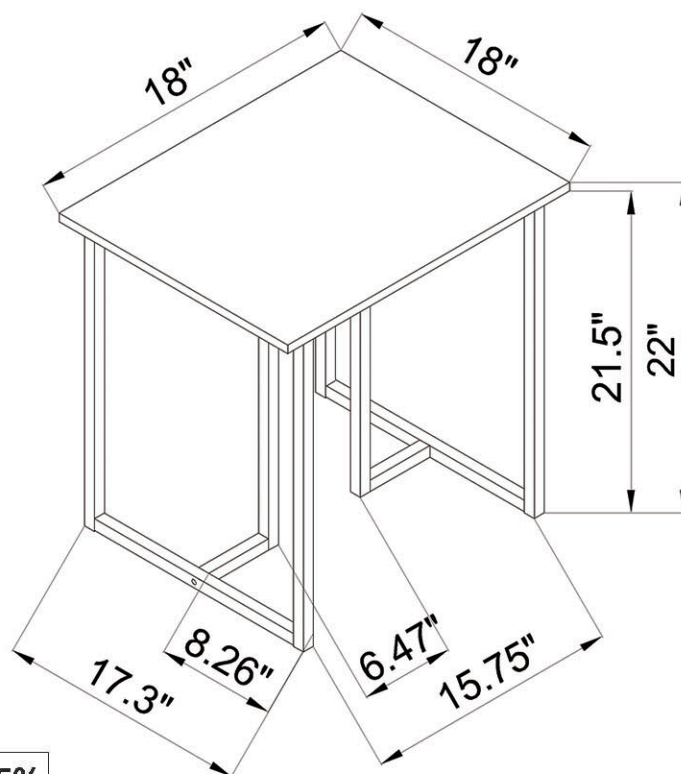


ITEM:753390

STEP7
COFFEE TABLE



STEP8
END TABLE



Note:Dimension tolerance $\pm 0.5\%$