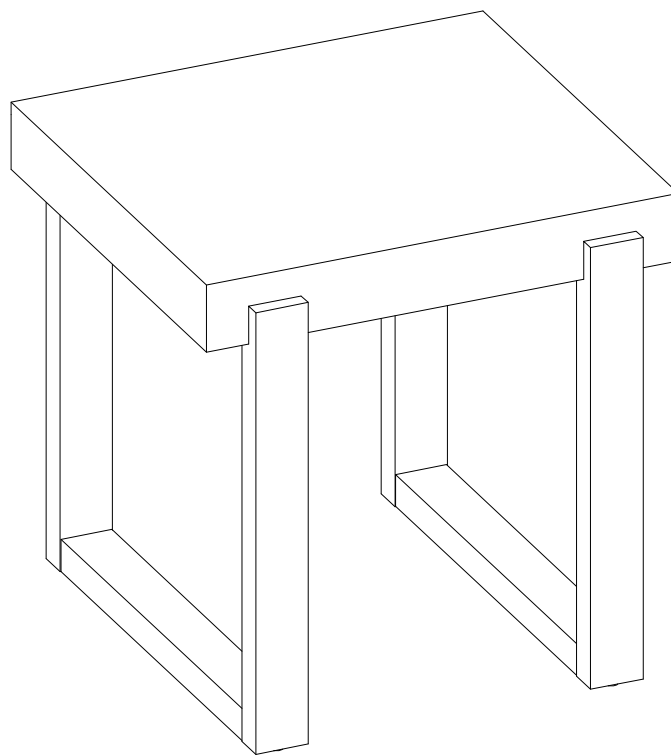


ASSEMBLY INSTRUCTIONS
COASTER FINE FURNITURE



Fine Furniture for every stage of life

753397
End Table

ITEM: **753397**



ASSEMBLY INSTRUCTIONS

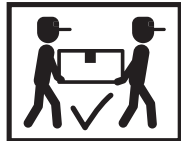
ASSEMBLY TIPS:

1. Remove hardware from box and sort by size.
2. Please check to see that all hardware and parts are present prior to start of assembly.
3. Please follow attached instructions in the same sequence as numbered to assure fast & easy assembly.



WARNING!

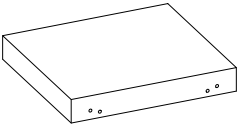
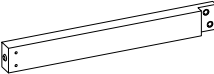
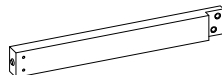
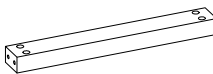
1. Don't attempt to repair or modify parts that are broken or defective. Please contact the store immediately.
2. This product is for home use only and not intended for commercial establishments.



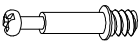
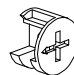



ASSEMBLY TIME

30 MINUTES

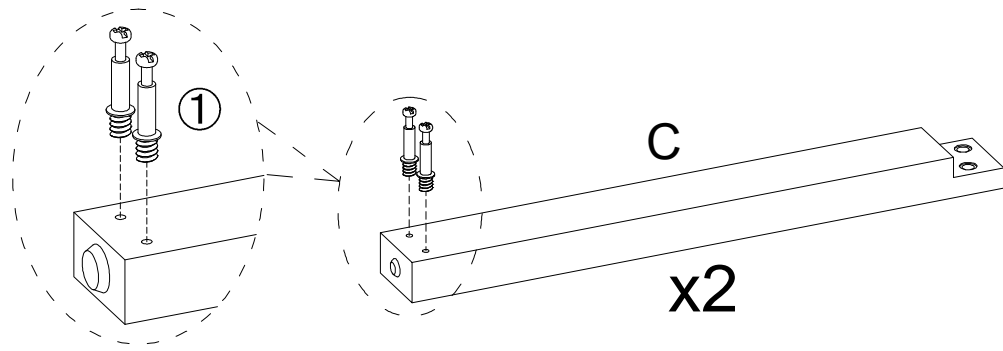
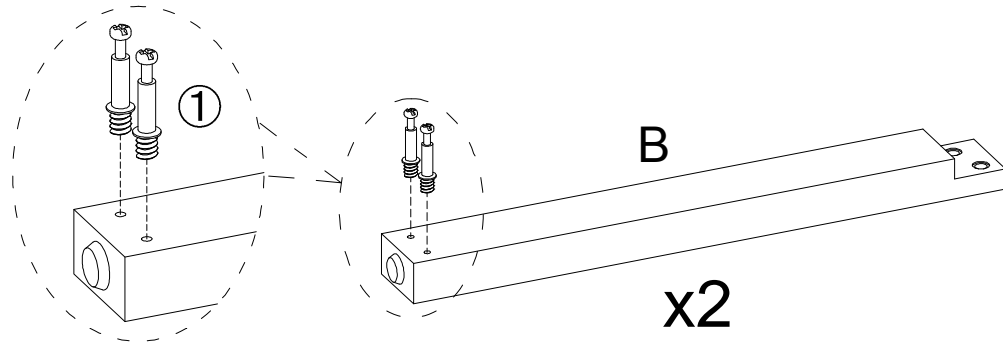
PARTS IDENTIFICATION

| No | DESCRIPTION & FIGURE | QTY |
|----|--|------|
| A | TOP  | 1pc |
| B | LEG 1  | 2pcs |
| C | LEG 2  | 2pcs |
| D | LEG SUPPORT  | 2pcs |

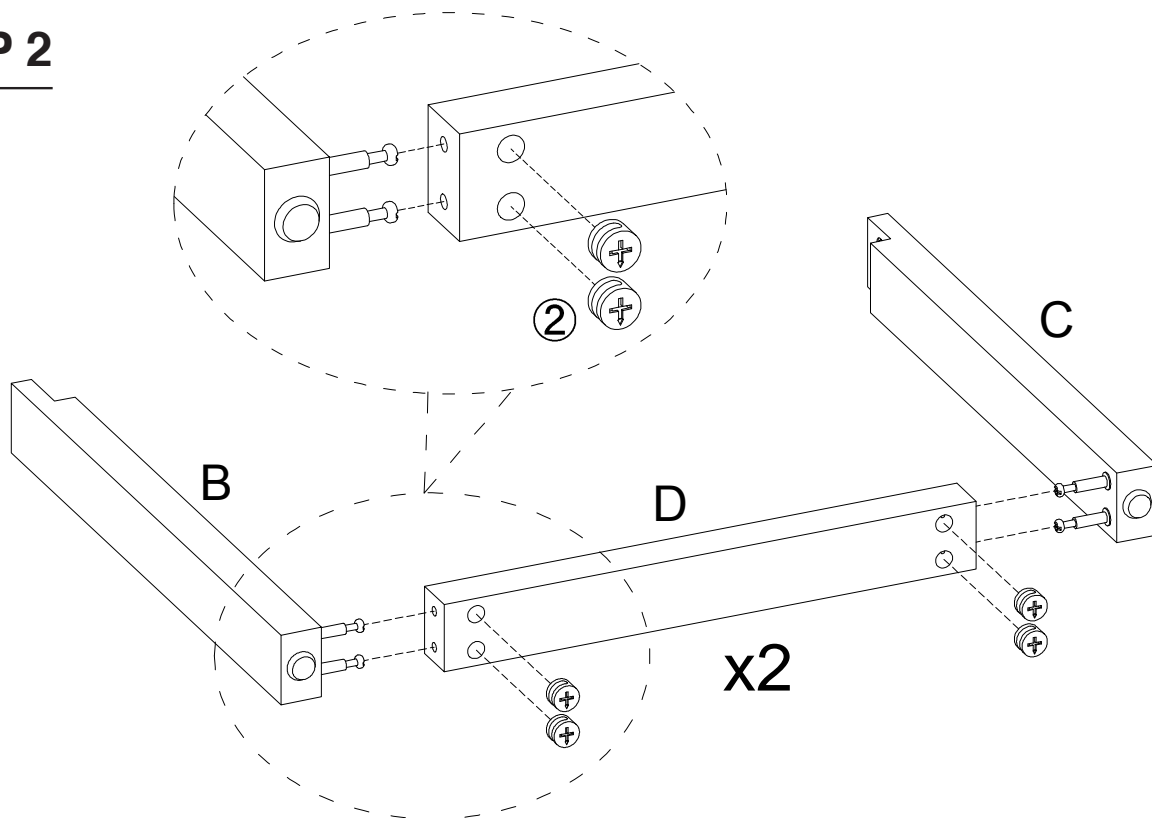
HARDWARE PACKAGE:

| No | DESCRIPTION | FIGURE | QTY |
|----|------------------------|---|------|
| 1 | CAM BOLT |  | 8pcs |
| 2 | COM LOCK |  | 8pcs |
| 3 | BOLT M8x30mm |  | 8pcs |
| 4 | WASHER Ø20xØ8x1.2mm |  | 8pcs |
| 5 | ALLEN KEY (5mm) |  | 1pc |

STEP 1

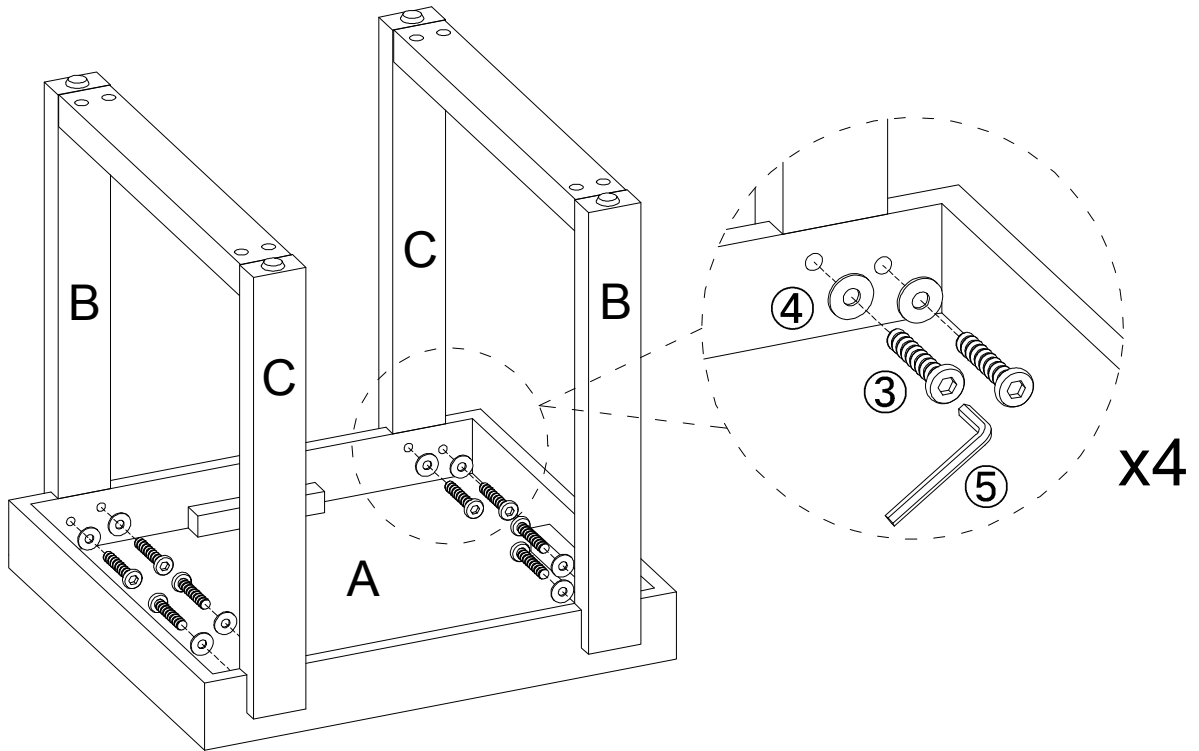


STEP 2



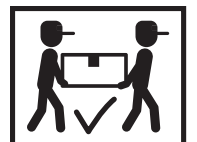
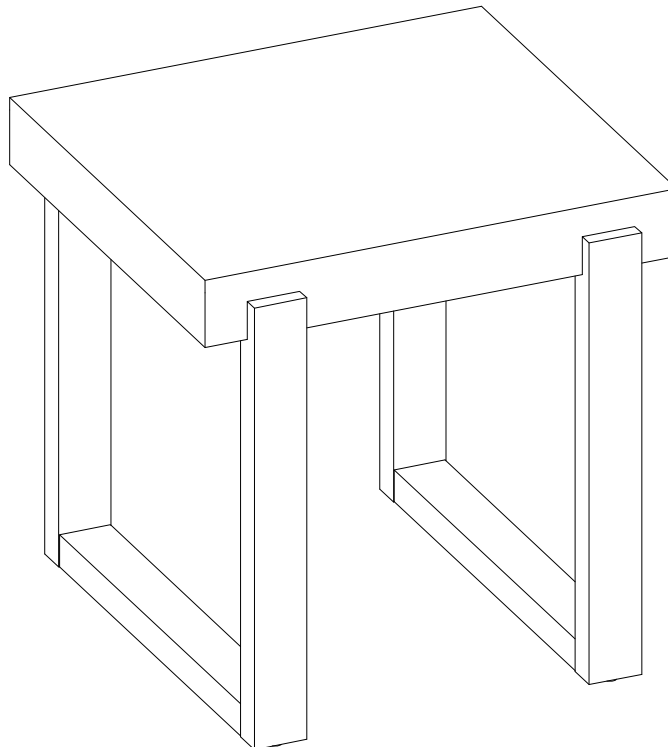
ITEM: **753397**

STEP 3

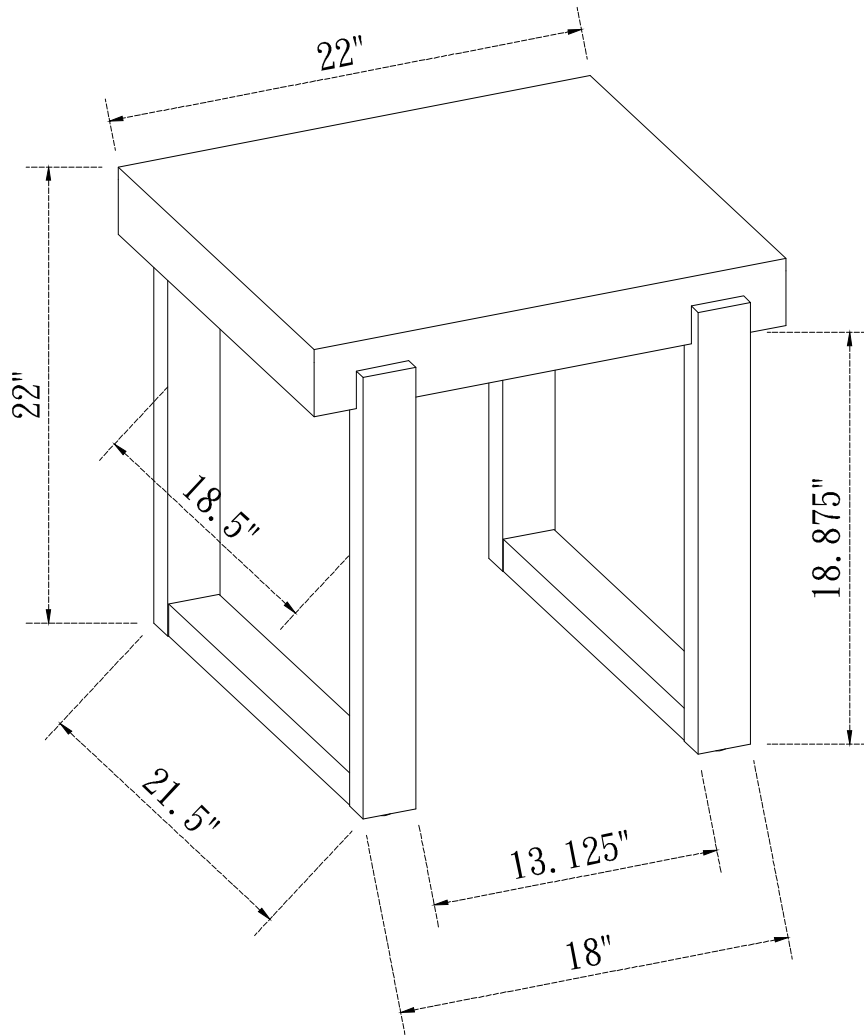


STEP 4

COMPLETE



ITEM: **753397**



Note: Dimension tolerance $\pm 5\%$