

ASSEMBLY INSTRUCTIONS
COASTER FINE FURNITURE



Fine Furniture for every stage of life

991047

FIREPLACE

ITEM : 991047



ASSEMBLY INSTRUCTIONS

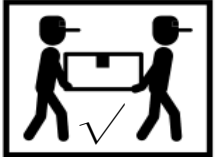
ASSEMBLY TIPS:

- 1.Remove hardware from box and sort by size.
- 2.Please check to see that all hardware and parts are present prior to start of assembly.
- 3.Please follow attached instruction in the same sequence as numbered to assure fast & easy assembly.



WARNING!

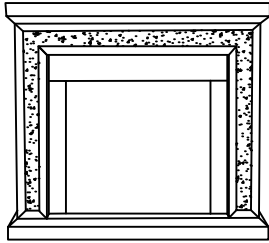
- 1.Don't attempt to repair or modify parts that are broken or defective. Please contact the store immediately.
- 2.This product is for home use only and not intended for commercial establishment.



ASSEMBLY TIME 10 MINUTES

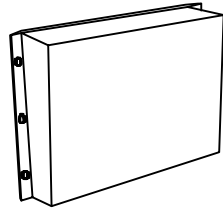
PARTS IDENTIFICATION

A FIREPLACE



1PC

B FURNACE CORE



1PC

Z HARDWARE IDENTIFICATION

1 SCREW M3.5*12 MM



6PCS

2 SCREWDRIVER

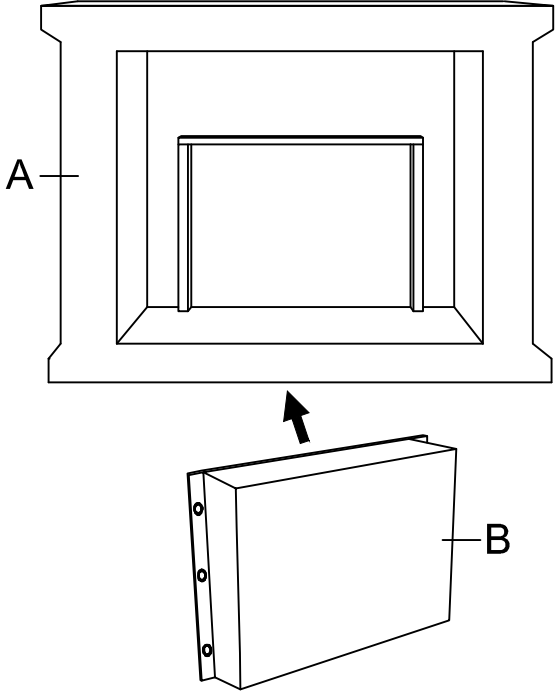


1PC

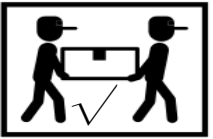
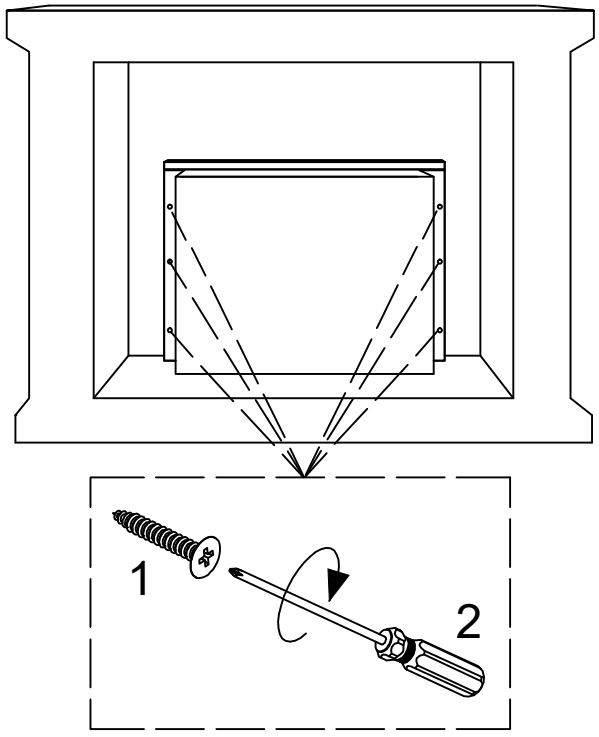
ITEM : 991047

ASSEMBLY INSTRUCTIONS

STEP 1



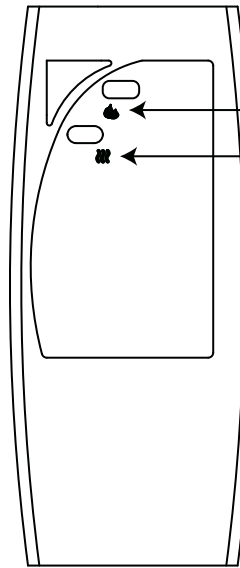
STEP 2



ITEM : 991047

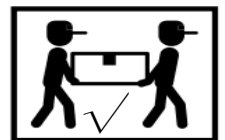
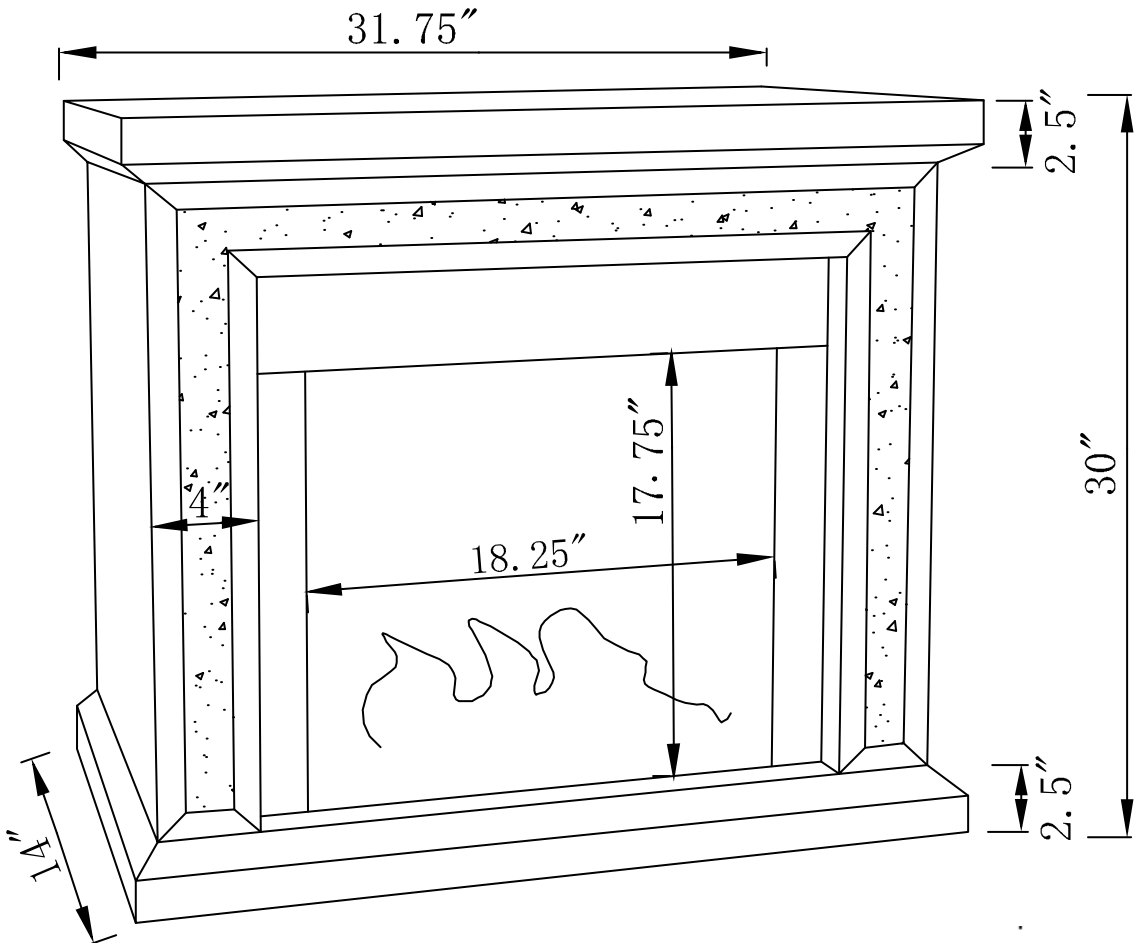


STEP 3



FLAME BUTTON
HEATER BUTTON

FA18V60L-1



Note: Dimension tolerance $\pm 5\%$

COASTERFURNITURE.COM