

ASSEMBLY INSTRUCTIONS
COASTER FINE FURNITURE



Fine Furniture for every stage of life

900936
ACCENT TABLE

ITEM:900936



ASSEMBLY INSTRUCTIONS

ASSEMBLY TIPS:

1. Remove hardware from box and sort by size.
2. Please check to see that all hardware and parts are present prior to start of assembly.
3. Please follow attached instructions in the same sequence as numbered to assure fast & easy assembly.



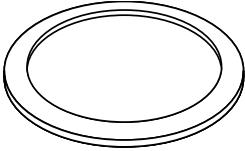
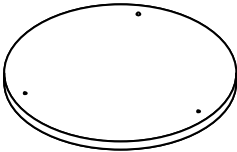
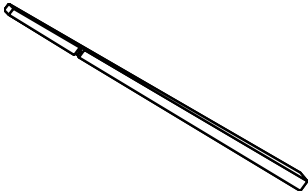
WARNING!

1. Don't attempt to repair or modify parts that are broken or defective. Please contact the store immediately.
2. This product is for home use only and not intended for commercial establishments.


ASSEMBLY TIME

10 MINUTES

PARTS IDENTIFICATION

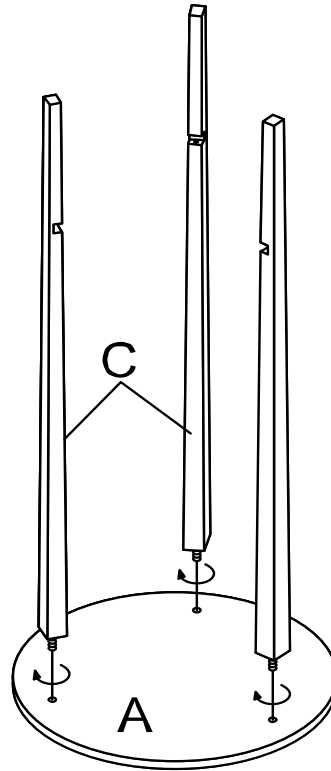
A	TOP PANEL		1PC
B	BOTTOM PANEL		1PC
C	LEG		3PCS

HARDWARE IDENTIFICATION

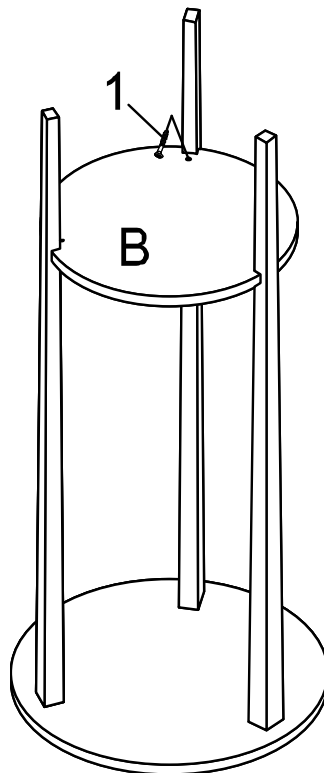
1	SCREW (7 x 28mm RBW)		3PCS
---	--------------------------	---	------

ITEM: **900936**

ASSEMBLY INSTRUCTIONS
STEP 1



STEP 2



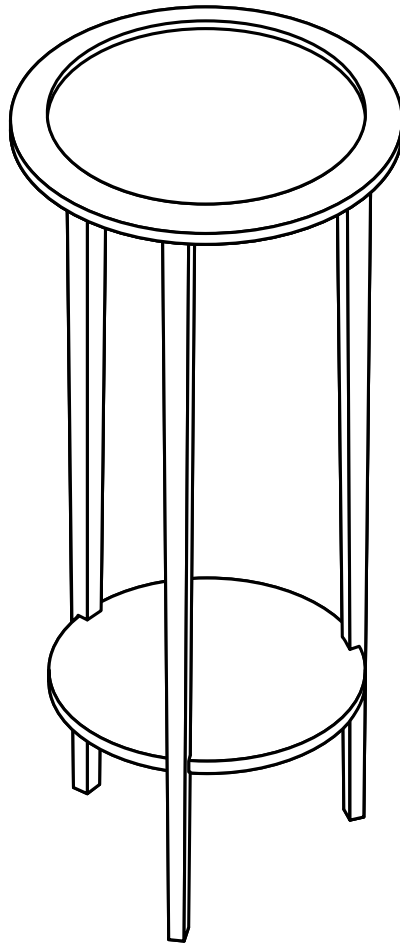
ITEM: **900936**



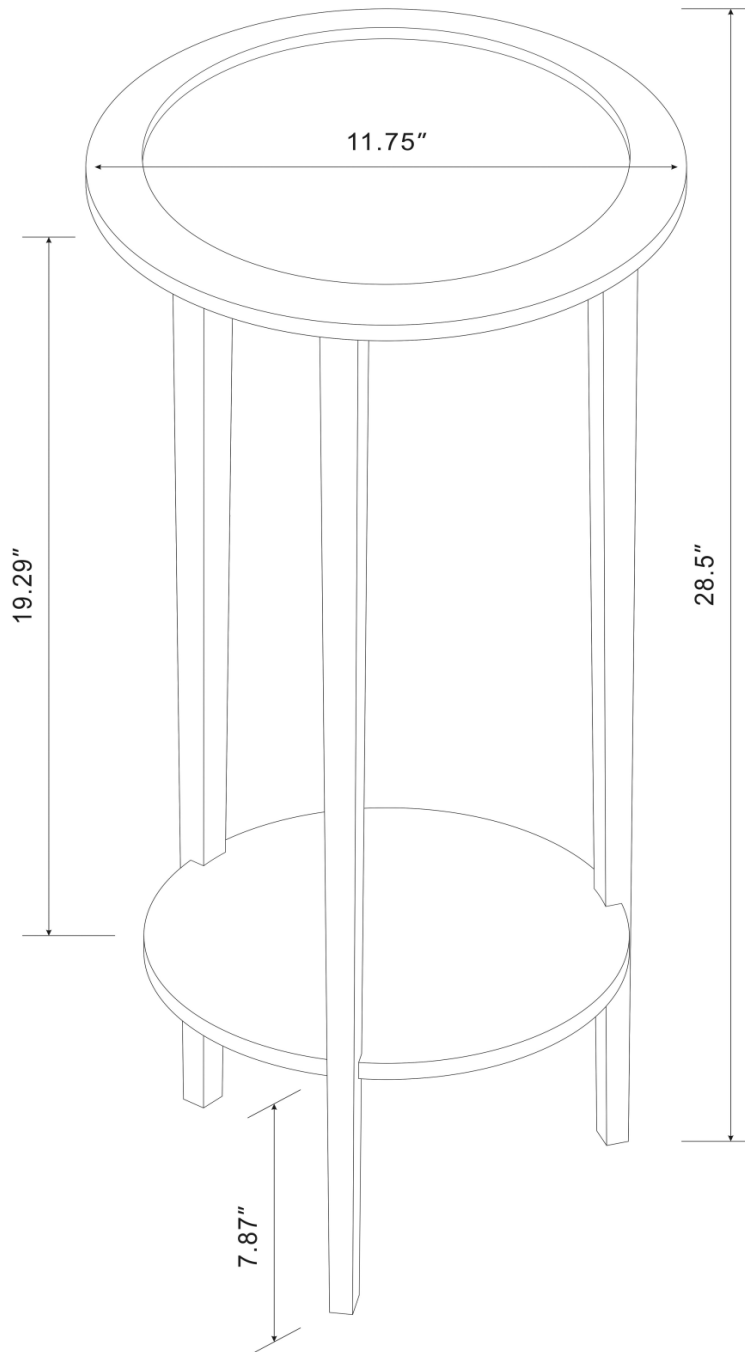
ASSEMBLY INSTRUCTIONS

STEP 3

COMPLETE



ITEM: **900936**



Note : Dimension tolerance $\pm 5\%$