

# ASSEMBLY INSTRUCTIONS COASTER FINE FURNITURE



*Fine Furniture for every stage of life*

**501063**  
**OTTOMAN**

ITEM: 501063

## ASSEMBLY INSTRUCTIONS



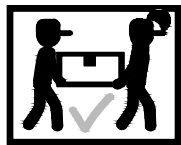
### ASSEMBLY TIPS:

1. Remove hardware from box and sort by size.
2. Please check to see that all hardware and parts are present prior to start of assembly.
3. Please follow attached instructions in the same sequence as numbered to assure fast & easy assembly.



### WARNING !

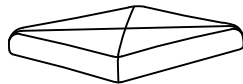
1. Don't attempt to repair or modify parts that are broken or defective. Please contact the store immediately.
2. This product is for home use only and not intended for commercial establishments.



ASSEMBLY TIME 15 MINUTES

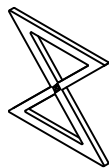
## PARTS IDENTIFICATION

A. SEAT CUSHION



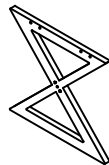
1PC

B. LEFT SIDE PANEL



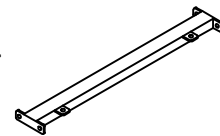
1PC

C. RIGHT SIDE PANEL



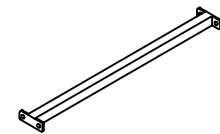
1PC

D. TOP CONNECT BAR



2PCS

E. MIDDLE CONNECT BAR



1PC

## HARDWARE PACKAGE

1. ALLEN BOLT  
(Ø1/4"\*1/2"-BLACK)



12PCS

2. SCREW  
(5\*15mm-BLACK)



4PCS

3. ALLEN WRENCH  
(Ø1/4"\*58mm-BLACK)



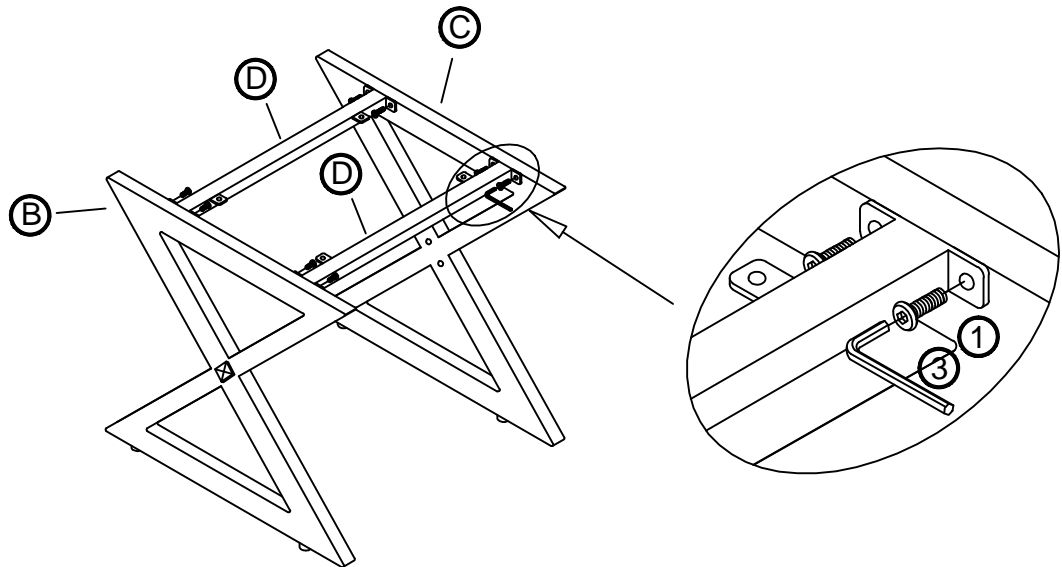
1PC

ITEM: 501063

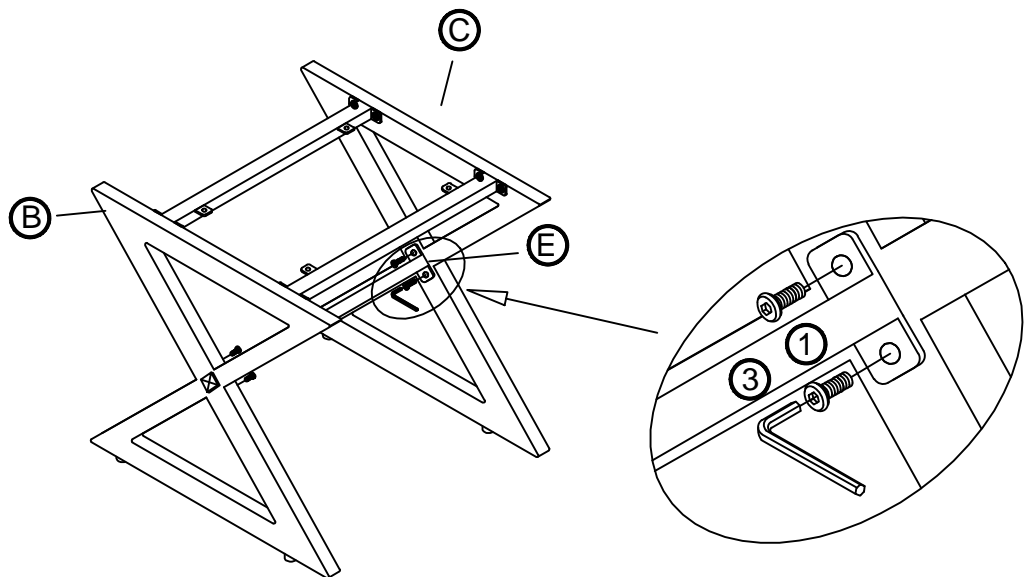
ASSEMBLY INSTRUCTIONS



STEP 1



STEP 2

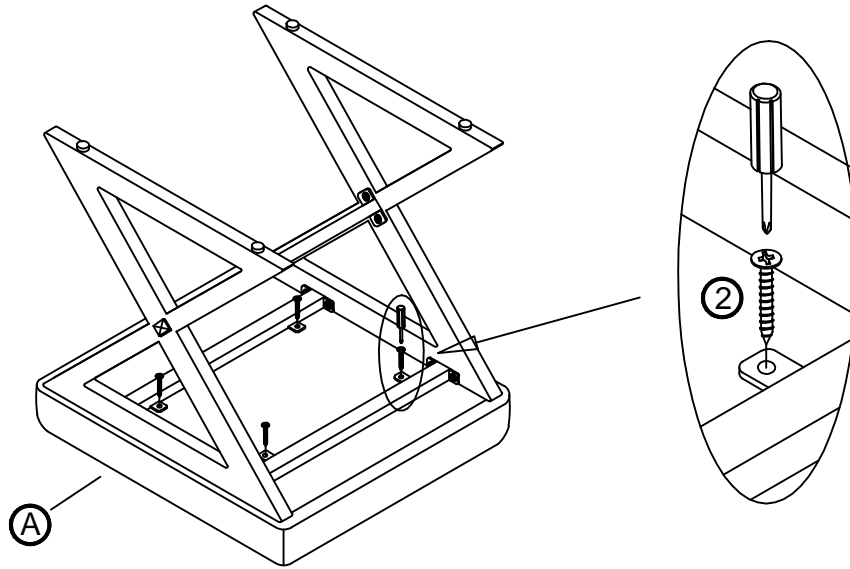


ITEM: 501063

ASSEMBLY INSTRUCTIONS



STEP 3



STEP 4  
COMPLETE

