

*ASSEMBLY INSTRUCTIONS
COASTER FINE FURNITURE*



Fine Furniture for every stage of life

900604
SHOE CABINET

ITEM:900604

ASSEMBLY INSTRUCTIONS

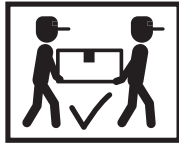
ASSEMBLY TIPS:

1. Remove hardware from box and sort by size.
2. Please check to see that all hardware and parts are present prior to start of assembly.
3. Please follow attached instructions in the same sequence as numbered to assure fast & easy assembly.



WARNING!

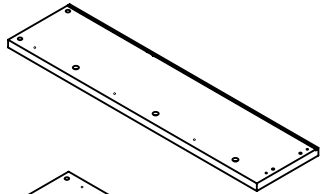
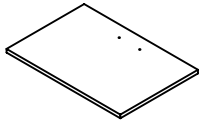
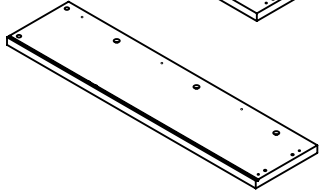

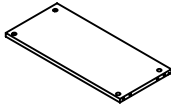
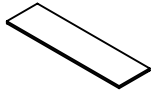
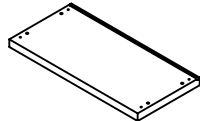
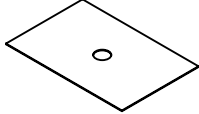

1. Don't attempt to repair or modify parts that are broken or defective. Please contact the store immediately.
2. This product is for home use only and not intended for commercial establishments.



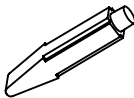

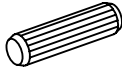



ASSEMBLY TIME

80 MINUTES

PARTS IDENTIFICATION

A	LEFT SIDE PANEL		1 PC	F	DOOR		3 PCS
B	RIGHT SIDE PANEL		1 PC	G	SHELF		3 PCS
C	BOTTOM PANEL		1 PC	H	PARTITION PANEL		6 PCS
D	TOP PANEL		1 PC	I	BACK PANEL		3 PCS
E	CROSS PANEL		1 PC				








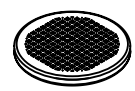

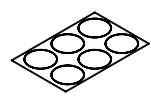


HARDWARE IDENTIFICATION

Z	NO	DESCRIPTION	FIGURE	Q'TY	NO	DESCRIPTION	FIGURE	Q'TY
	1	GLUE 15g		1 PC	4	CAM LOCK Ø 15x12mm		10 PCS
	2	WOODEN DOWEL Ø 8x30mm		10 PCS	5	PLASTIC FEET Ø 15mm		4 PCS
	3	CAM BOLT Ø 7x35.5mm		10 PCS	6	HANDLE L = 120mm		3 PCS

NOTE:

Phillips head screw driver is required in the assembly process; however, manufacturer does not provide this item.

ITEM:900604

Z				HARDWARE IDENTIFICATION			
NO	DESCRIPTION	FIGURE	Q'TY	NO	DESCRIPTION	FIGURE	Q'TY
7	HANDLE BOLT Ø 4x28mm		6 PCS	13	SCREW Ø 4x15mm		18 PCS
8	PLASTIC SIDE		3 PCS	14	FIXER		6 PCS
9	LATCH-MALE		6 PCS	15	FIXER SCREW Ø 3x19mm		24 PCS
10	LATCH-FEMALE		6 PCS	16	RUBBER Ø 58mm		3 PCS
11	PLASTIC SIDE SCREW Ø 8x17mm		6 PCS	17	STICKER Ø 20mm		2 PCS
12	BOLT Ø 5x15mm		6 PCS	18	I BAR L = 533mm		1 PC

Z6,Z7,Z8,Z16 not included in blister packaging.

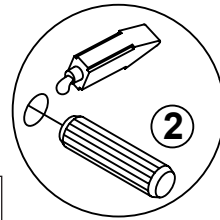
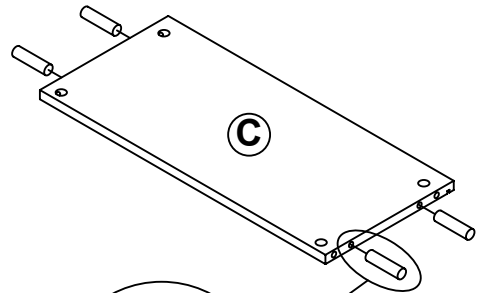
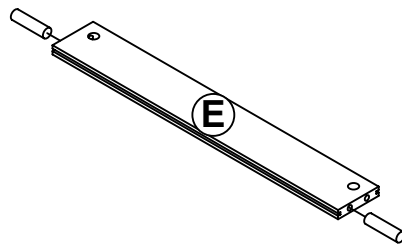
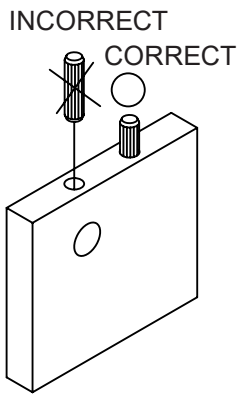
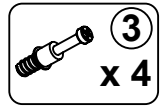
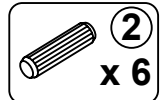
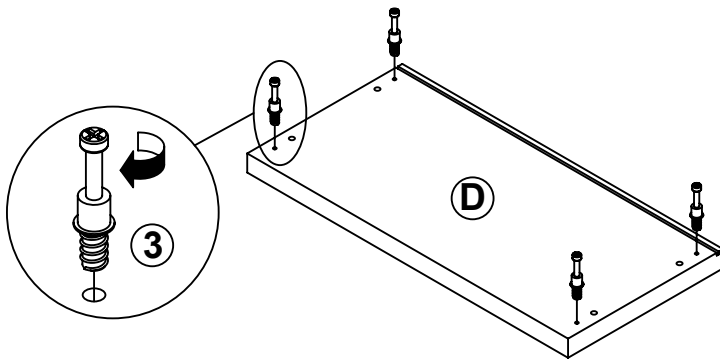
NOTE:

Phillips head screw driver is required in the assembly process; however, manufacturer does not provide this item.

ITEM: 900604

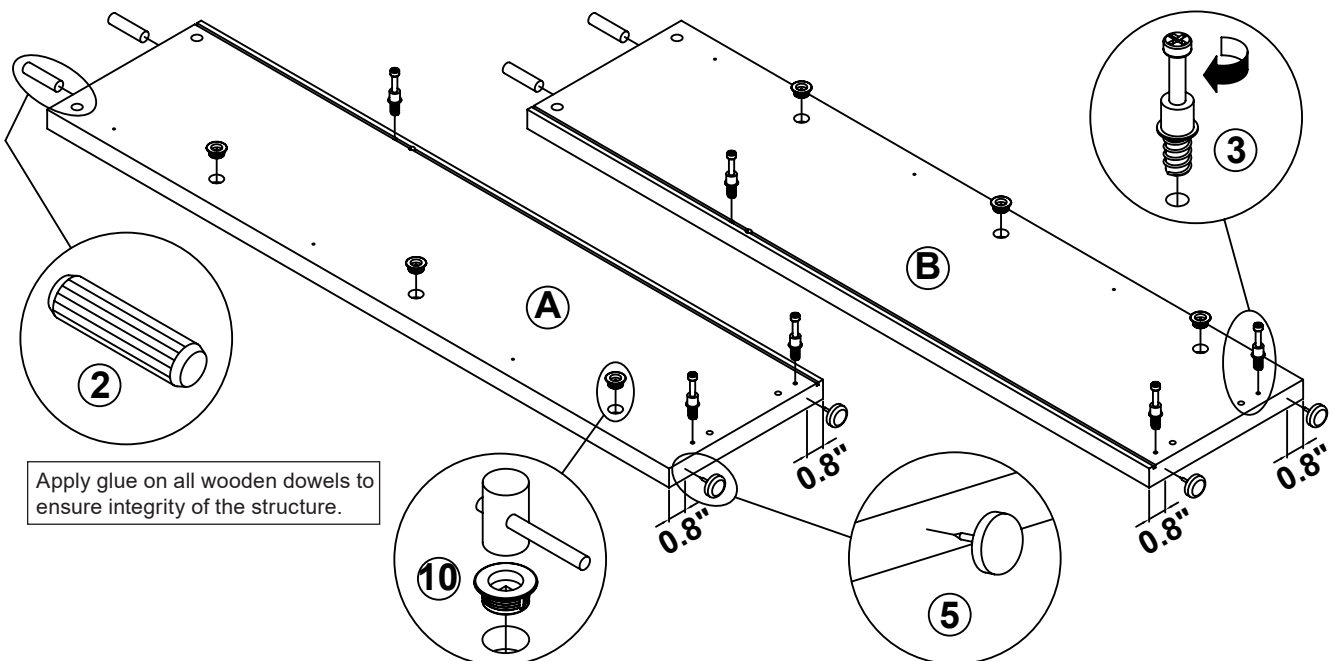
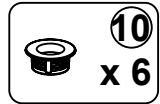
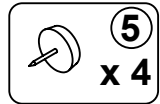
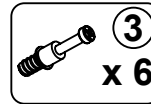
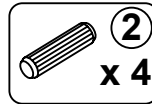
COASTER
FINE FURNITURE

STEP 1



Apply glue on all wooden dowels to ensure integrity of the structure.

STEP 2

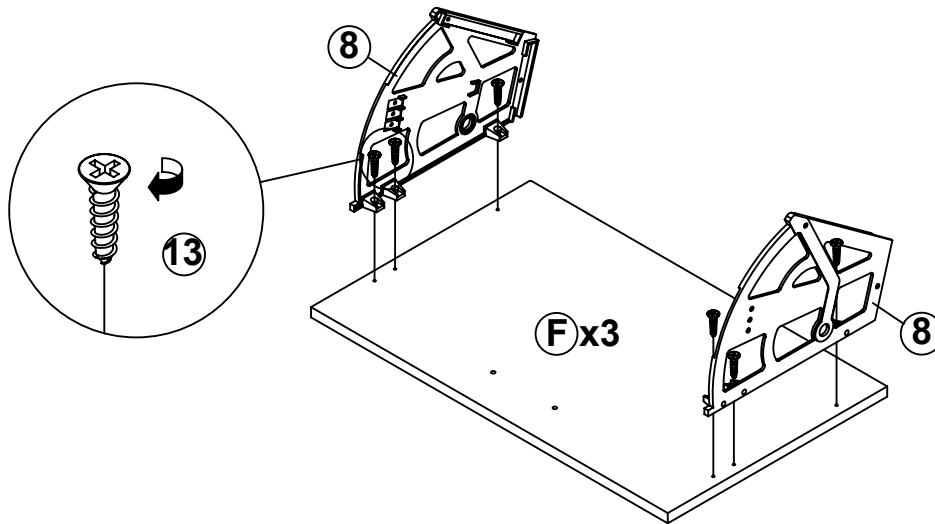
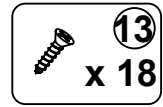


Apply glue on all wooden dowels to ensure integrity of the structure.

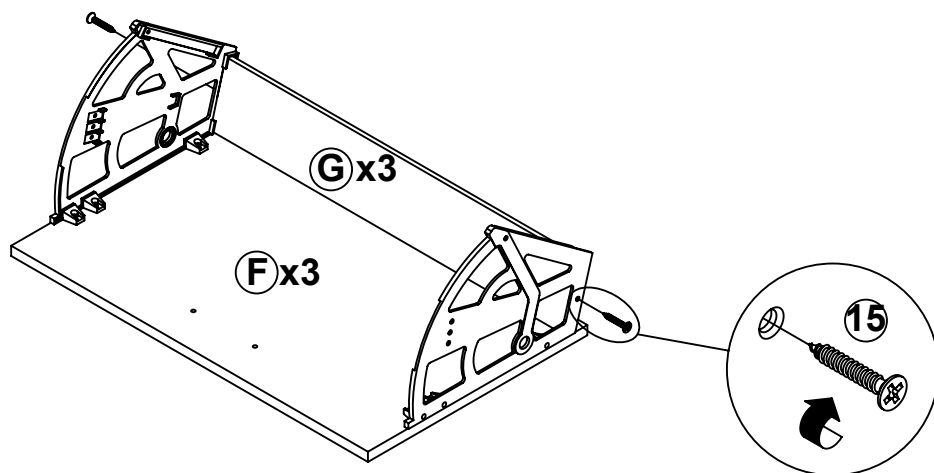
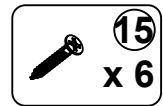
ITEM: 900604

COASTER
FINE FURNITURE

STEP 3

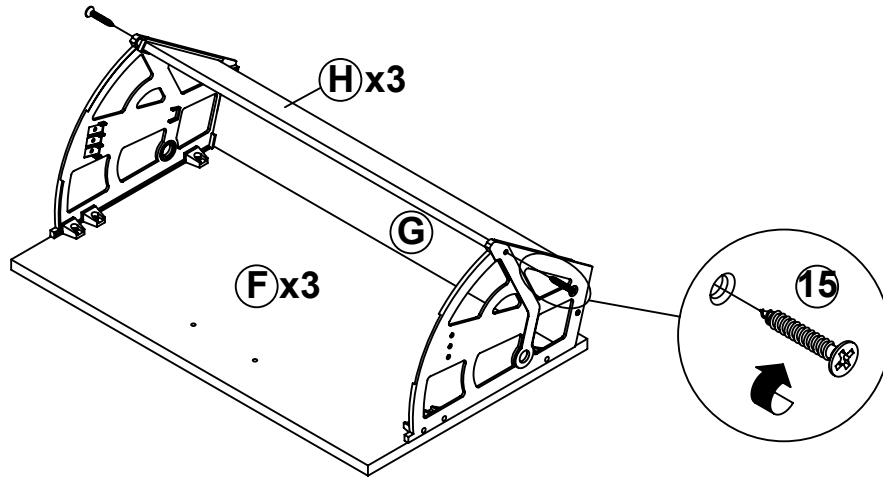
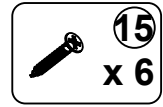


STEP 4

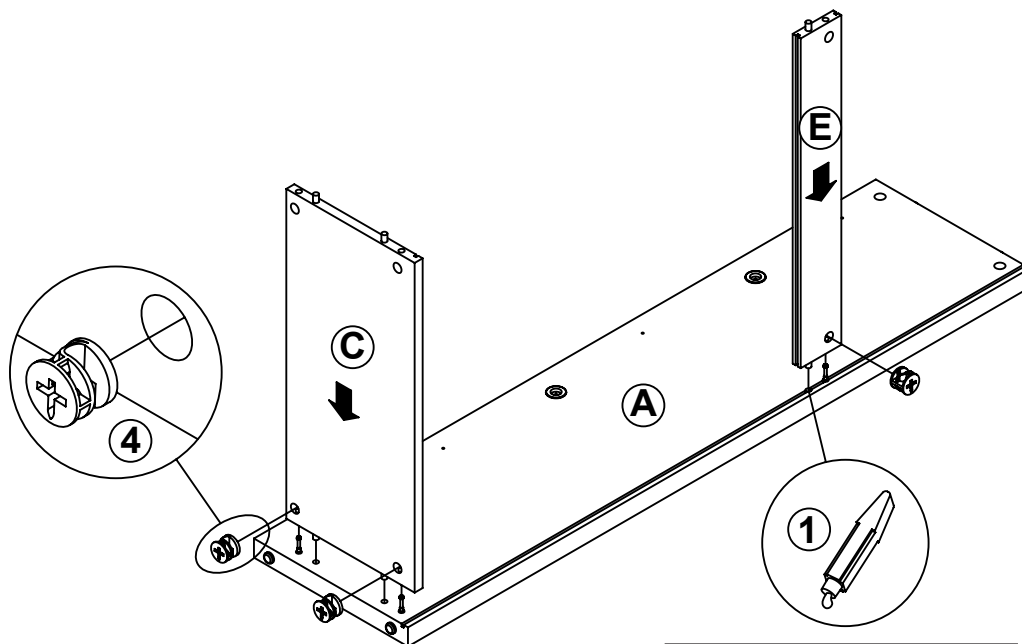
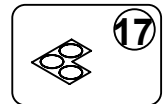
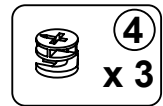


ITEM: 900604

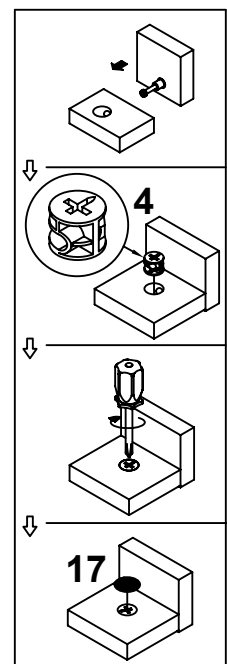
STEP 5



STEP 6

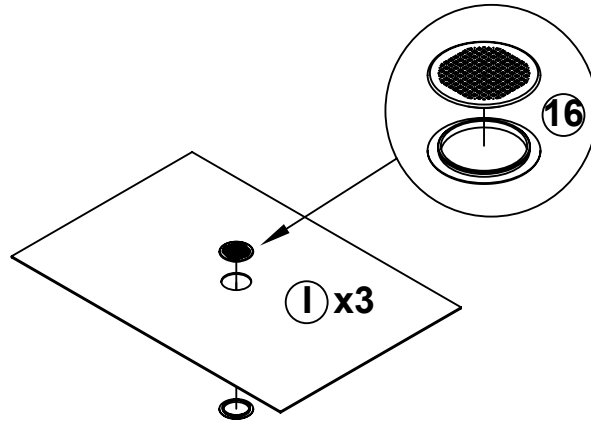
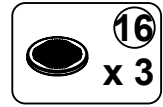


Apply glue on all wooden dowels to ensure integrity of the structure.



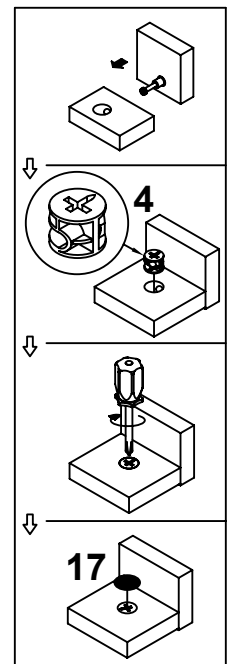
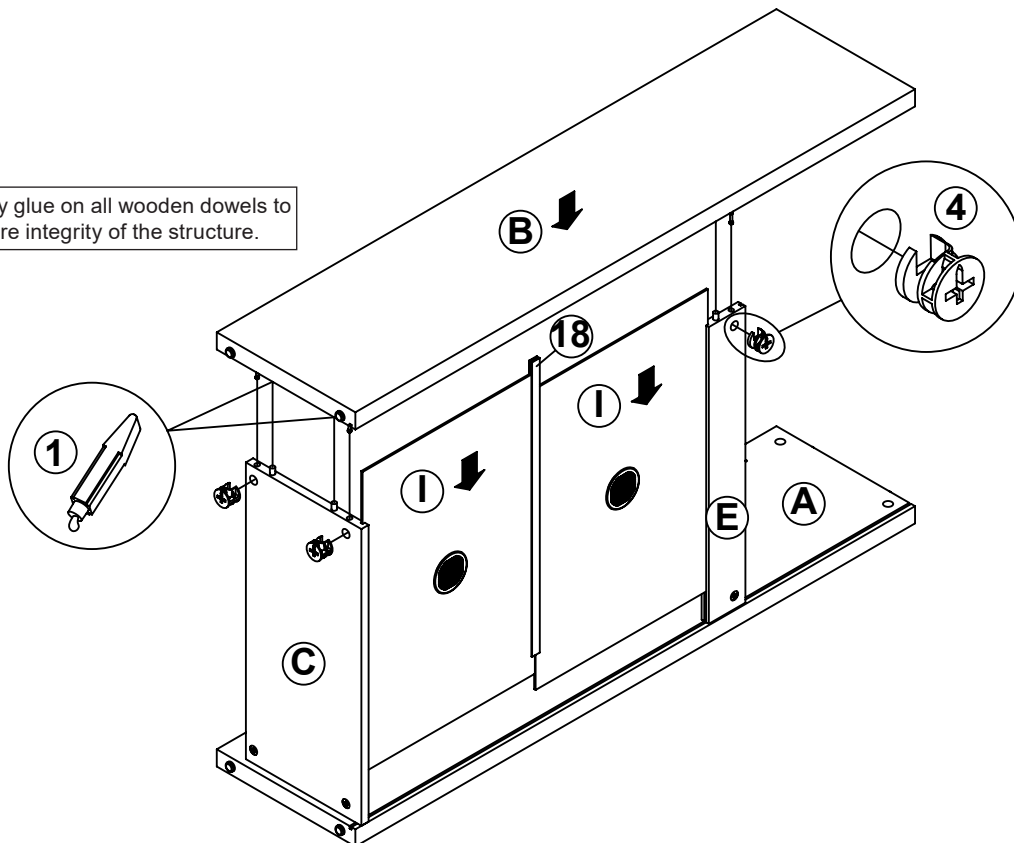
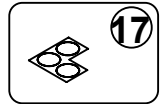
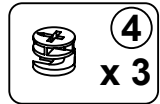
ITEM: **900604**

STEP 7



STEP 8

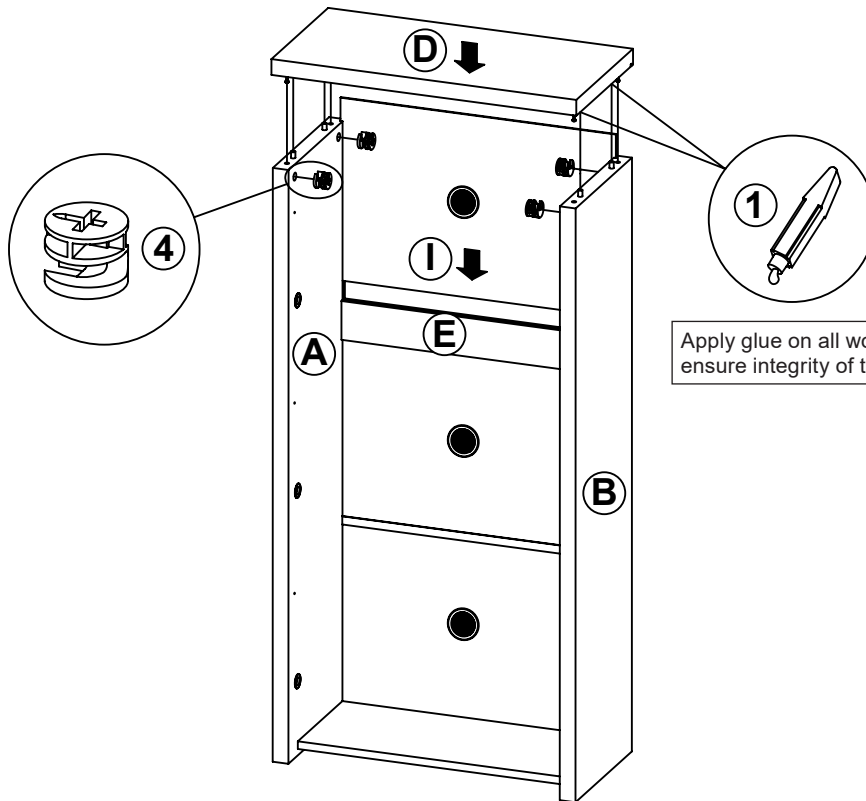
Apply glue on all wooden dowels to ensure integrity of the structure.



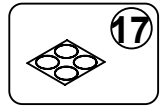
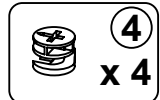
ITEM: 900604

COASTER
FINE FURNITURE

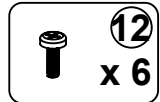
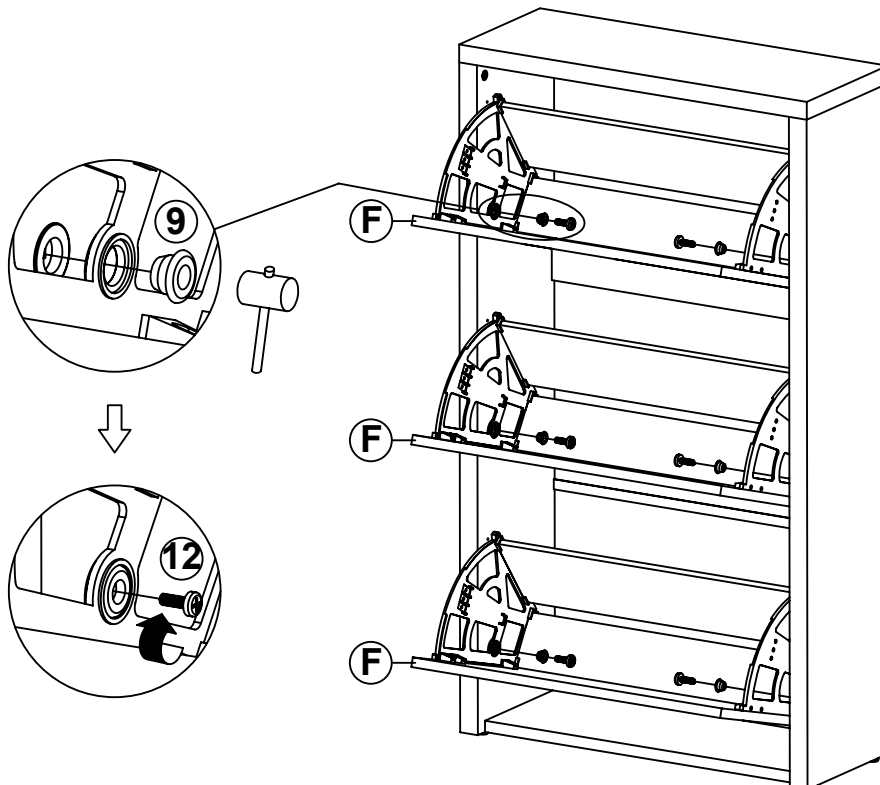
STEP 9



Apply glue on all wooden dowels to ensure integrity of the structure.



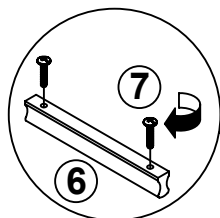
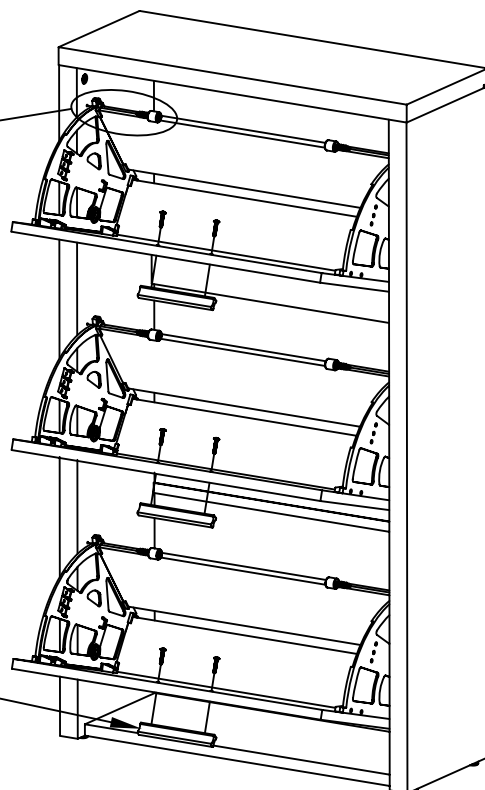
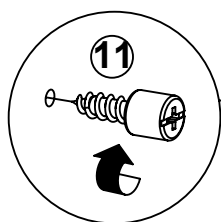
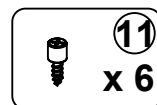
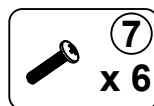
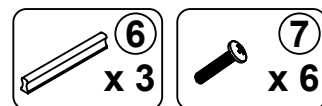
STEP 10



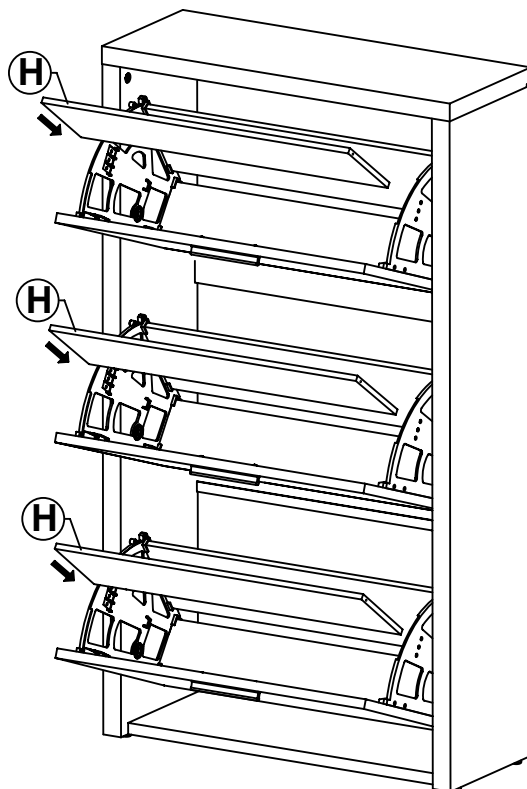
ITEM: 900604

COASTER
FINE FURNITURE

STEP 11



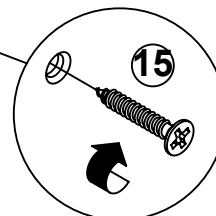
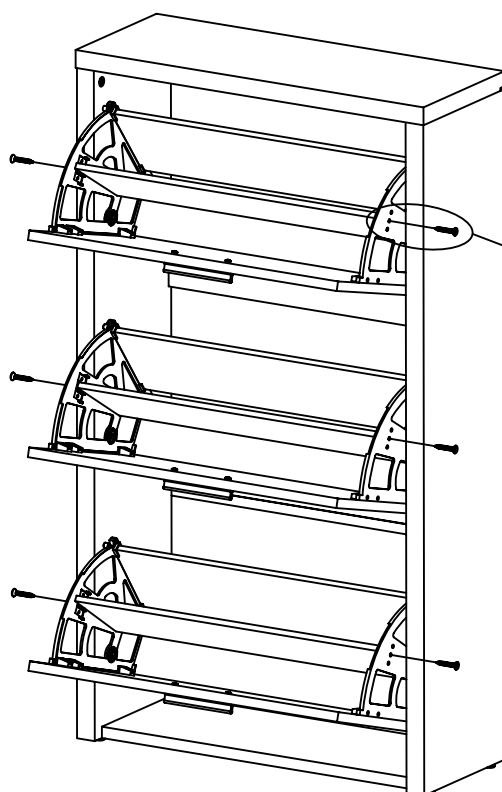
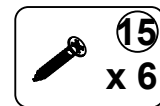
STEP 12



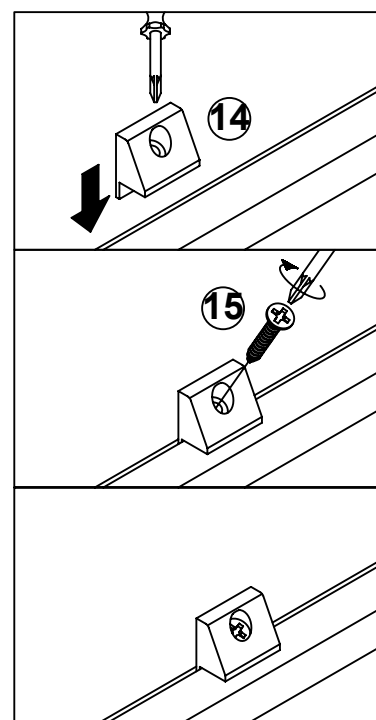
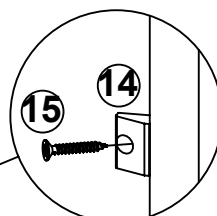
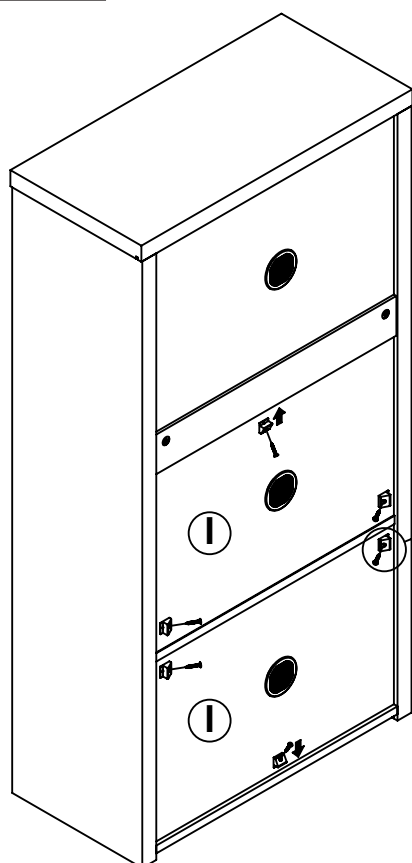
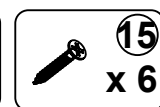
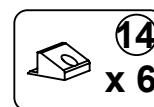
ITEM: 900604

STEP 13

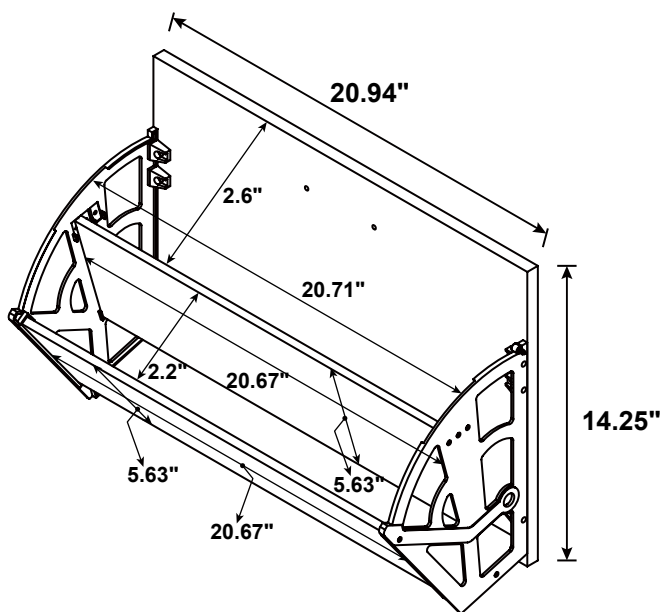
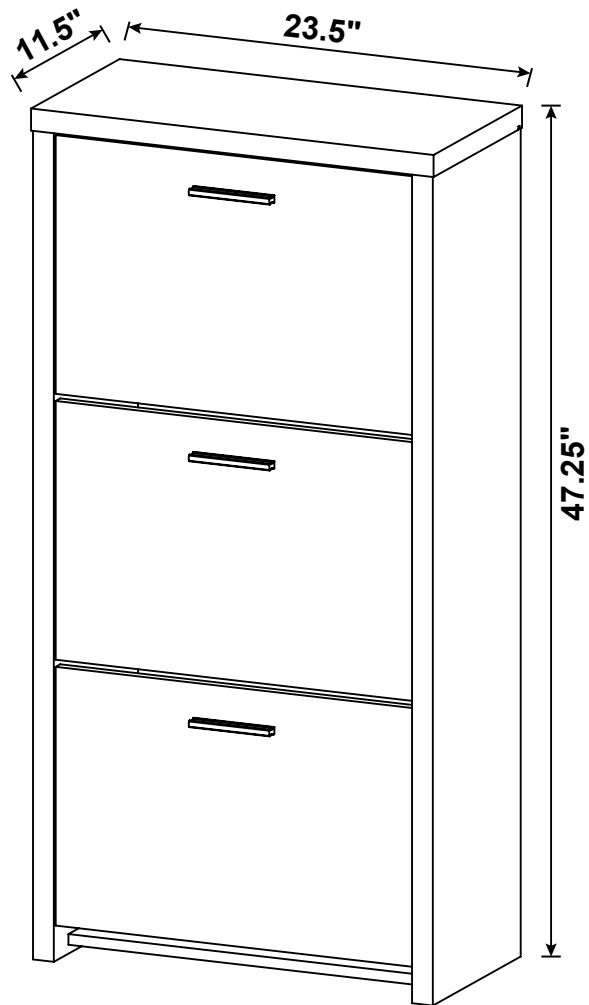
COASTER
FINE FURNITURE



STEP 14



ITEM: 900604



Note : Dimension tolerance $\pm 5\%$

ANTI-TIPPING INSTALLMENT INSTRUCTIONS

FURNITURE TIPPING RESTRAINT

WARNING

Injury may result from tipping furniture.
This restraint may protect against tipping furniture.
Do not allow children to climb on furniture.
This restraint is not a substitute for proper adult supervision.
Failure to detach this restraint before moving the furniture
may result in injury and damage.

1. To attach the anti-tip strap, securely mount one end to the top of the case piece with the 5/8" screw.
2. Position the case piece against the wall in the desired location.
3. Pull the anti-tip strap taut and mark the position of where you will secure the other end on the wall.
4. Drill a 1-1/4" hole in the spot you marked.
5. Tap in plastic wall plug.
6. Fasten anti-tip strap with wall screw provided.

(Please install the anti-tipping kit in the middle of the case piece if only have one set of anti-tipping kit.)

